



US00D520768S

(12) **United States Design Patent** (10) **Patent No.:** **US D520,768 S**  
**Glass et al.** (45) **Date of Patent:** **\*\* May 16, 2006**

(54) **CHAIR**

(75) Inventors: **Peter Glass**, Arroyo Grande, CA (US);  
**Robert J. Mills**, Torrance, CA (US);  
**Jamie Toland**, Russellville, AR (US)

(73) Assignee: **Virco Mgmt. Corporation**, Torrance,  
CA (US)

(\*\*) Term: **14 Years**

(21) Appl. No.: **29/230,851**

(22) Filed: **May 27, 2005**

(51) **LOC (8) Cl.** ..... **06-01**

(52) **U.S. Cl.** ..... **D6/374; D6/380**

(58) **Field of Classification Search** ..... D6/334–336,  
D6/338, 360, 365, 366, 371–373, 341, 374,  
D6/375, 376, 379, 380, 500–502; 297/296,  
297/445.1, 446.1, 447.1, 447.2, 451.1, 452.2  
See application file for complete search history.

(56) **References Cited**

**U.S. PATENT DOCUMENTS**

D150,683	S	*	8/1948	Eames	.....	D6/374
D150,685	S	*	8/1948	Eames	.....	D6/374
D155,272	S	*	9/1949	Eames	.....	D6/374
D155,273	S	*	9/1949	Eames	.....	297/447.1
D155,274	S	*	9/1949	Eames	.....	D6/374
D169,930	S	*	6/1953	Chapman et al.	.....	D6/374
D169,931	S	*	6/1953	Chapman et al.	.....	D6/374
D171,116	S	*	12/1953	Adkinson	.....	D6/374
D181,241	S	*	10/1957	Swanson	.....	D6/374
D186,103	S	*	9/1959	Junkune	.....	D6/365
D189,347	S		11/1960	Chapman		
D195,620	S	*	7/1963	Chapman et al.	.....	D6/374
3,276,818	A	*	10/1966	Durfee et al.	.....	297/448.1
3,669,496	A		6/1972	Chisholm		

(Continued)

**OTHER PUBLICATIONS**

Virco “Furniture Solutions” 2003 General Catalog, pp. 6, 9,  
52, 56, 57, 58, 59, 62, 66, 69, and last page, 2027 Harpers  
Way, Torrance, CA 90501.

American Desk, “Classroom Furniture,” Catalog, pp. 6, 18,  
and end page, P.O. Box 6107, Temple TX 76403.

Artco–Bell Corporation, “Furniture to Enhance Education,”  
Catalog, pp. 12 and 13, Culver–Newlin, Inc., 840 Wanama-  
ker Ave., Ontario CA 91761.

Artco–Bell Corporation, “Product Library 2001,” Catalog,  
pp. 6, 7, 8, and end page, P.O. Box 608, 1302 Industrial  
Blvd., Temple, TX 76403.

Capital Seating Company, “Premium Quality Classroom  
Furniture,” Catalog, 3 pages.

CDF, “School Furniture,” Catalog, 1 page.

Columbia, “Alpha Chairs,” One Cycle Street, Westfield, MA  
01086.

Ivy League School Furniture, Catalog, 1 page.

National School Lines, “Classroom Furniture,” Catalog, pp.  
7 and 8, Oshkosh, WI, www.nsi-inc.com

Royal Seating Corporation, “Eduational and Computer Fur-  
niture,” Catalog, pp. 6, 8, 20, and 24.

Scholarcraft, “School Furniture,” Catalog, pp. 3, 5, 9, and  
end page, P.O. Box 170748, Birmingham, AL, 35217  
(2001).

*Primary Examiner*—Mimosa De

(74) *Attorney, Agent, or Firm*—Robert M. Hupe; Virco  
Mgmt. Corporation

(57) **CLAIM**

The ornamental design for a “chair,” as shown and  
described.

**DESCRIPTION**

FIG. 1 is a front perspective view of a chair showing my new  
design;

FIG. 2 is a front elevational view thereof;

FIG. 3 is a left side view, the opposite side view being a  
mirror image, thereof;

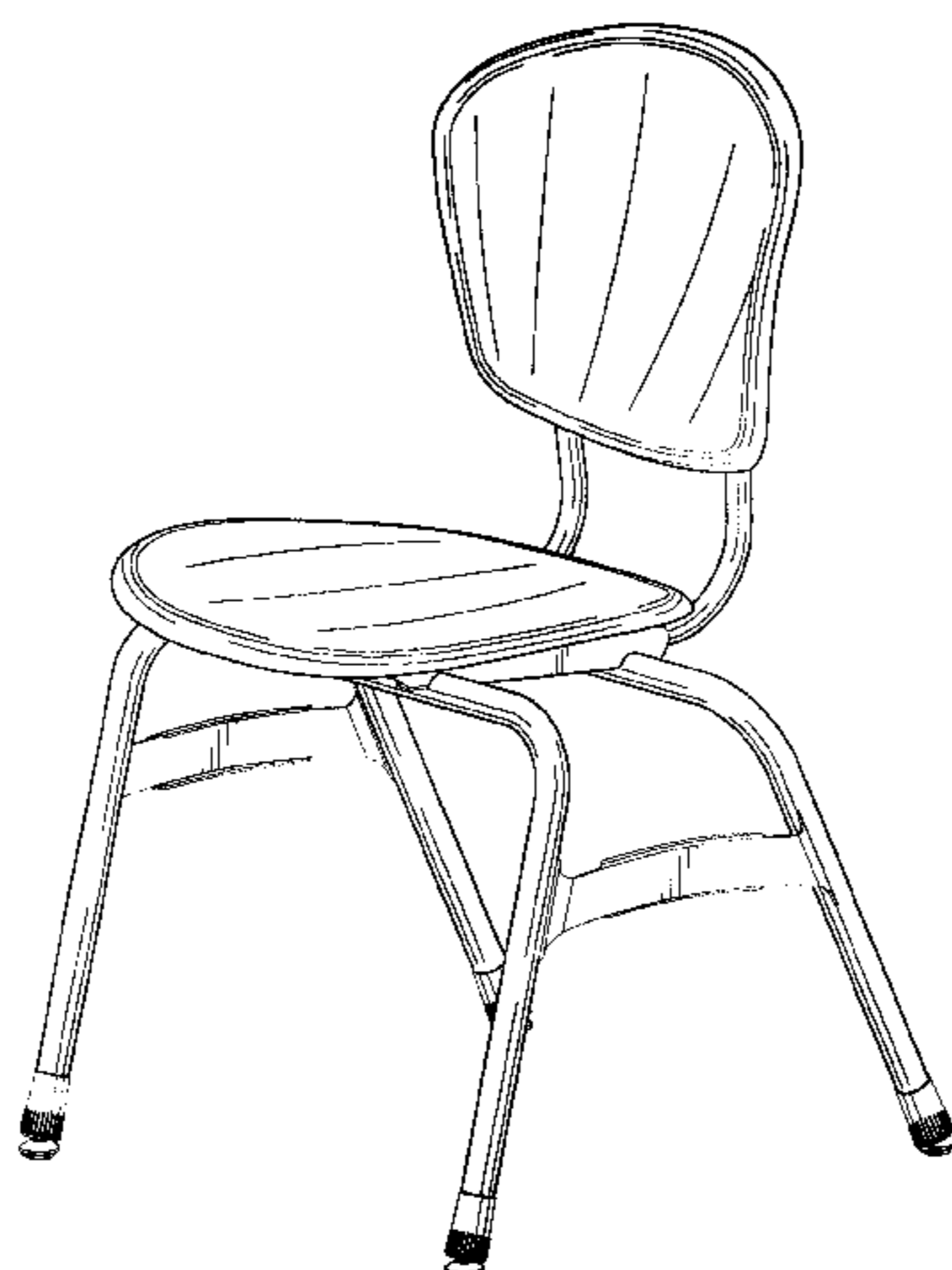
FIG. 4 is a top view thereof;

FIG. 5 is a bottom view thereof;

FIG. 6 is a back view thereof; and,

FIG. 7 is a back perspective view thereof.

**1 Claim, 4 Drawing Sheets**



# US D520,768 S

Page 2

---

## U.S. PATENT DOCUMENTS

4,002,369 A 1/1977 Jennings  
5,154,474 A \* 10/1992 Desanta ..... 297/447.2  
D388,629 S \* 1/1998 Piretti ..... D6/380  
D409,407 S 5/1999 Wang  
D469,969 S 2/2003 Glass et al.

D470,320 S 2/2003 Schloss  
D471,730 S 3/2003 Schloss  
D473,407 S 4/2003 Ross  
D499,260 S 12/2004 Glass et al.

\* cited by examiner

FIG. 2

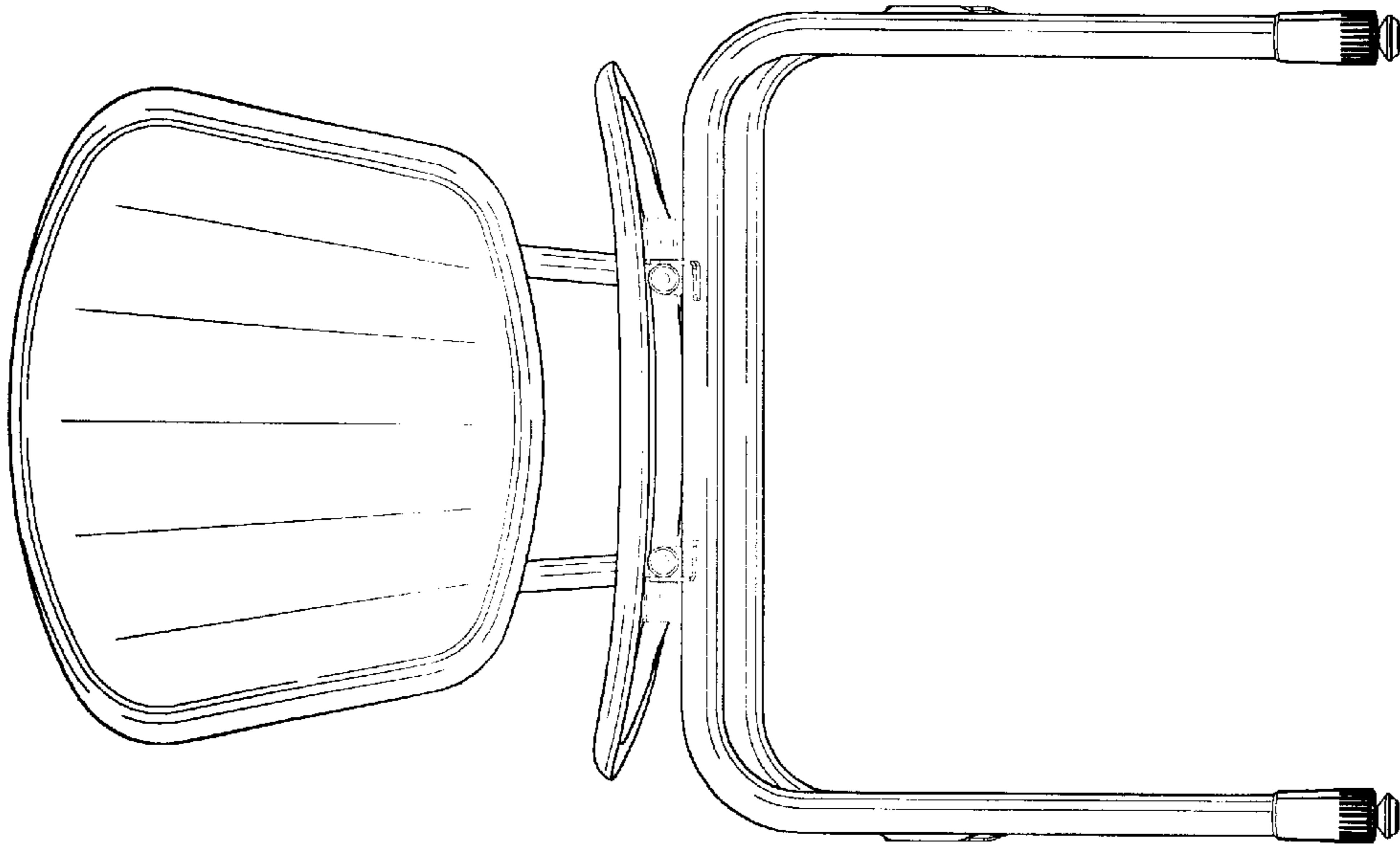
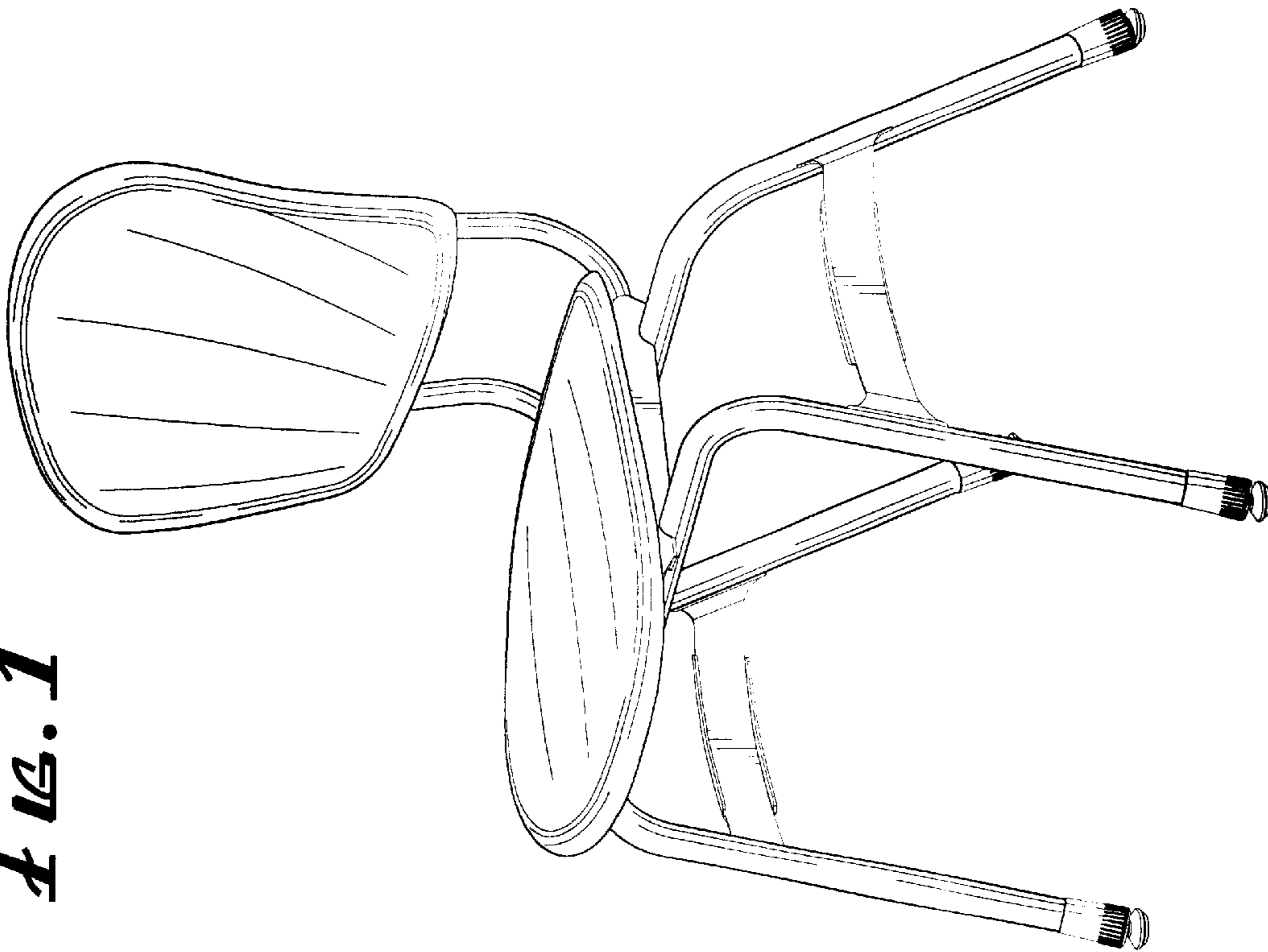


FIG. 1



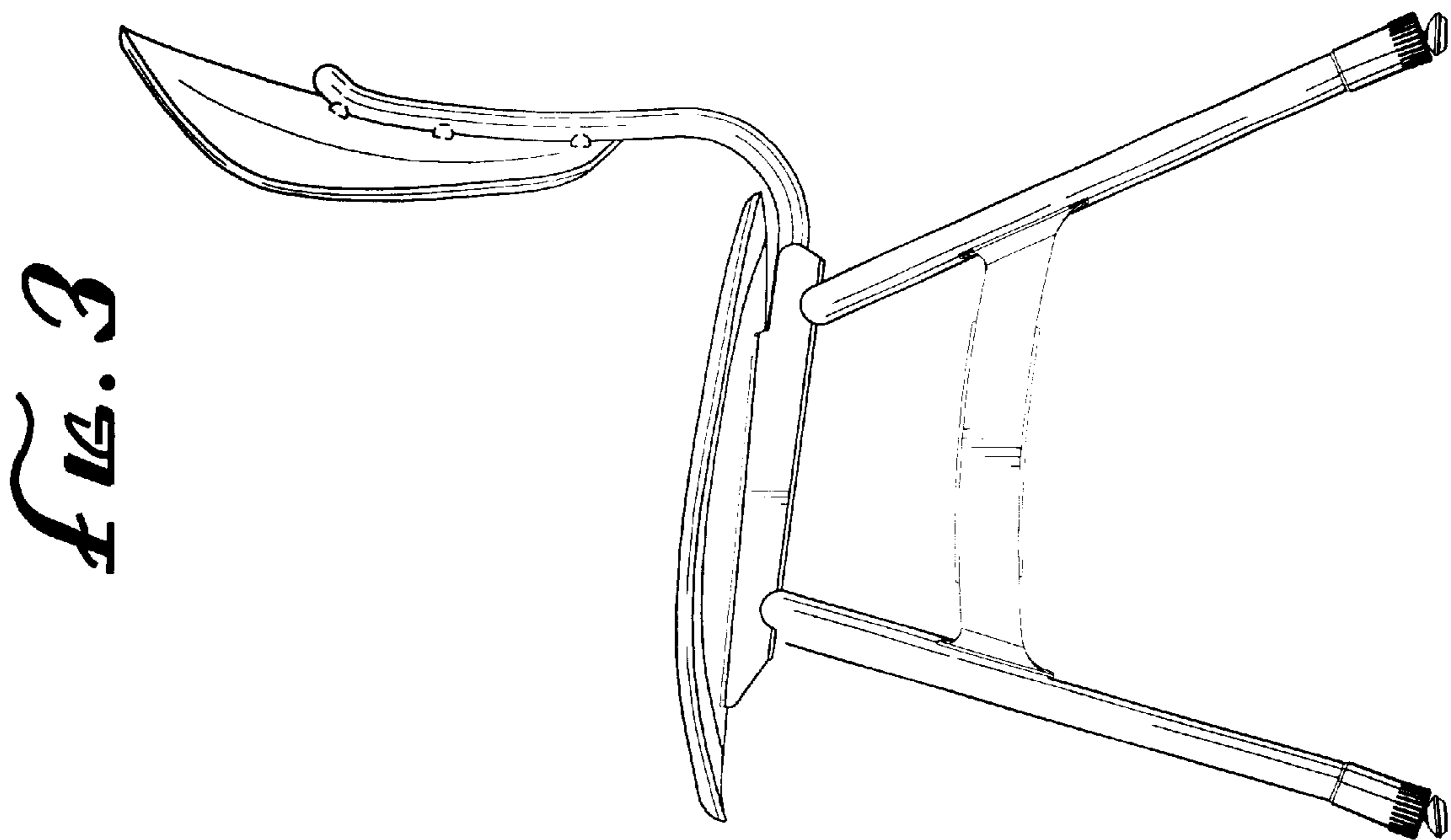
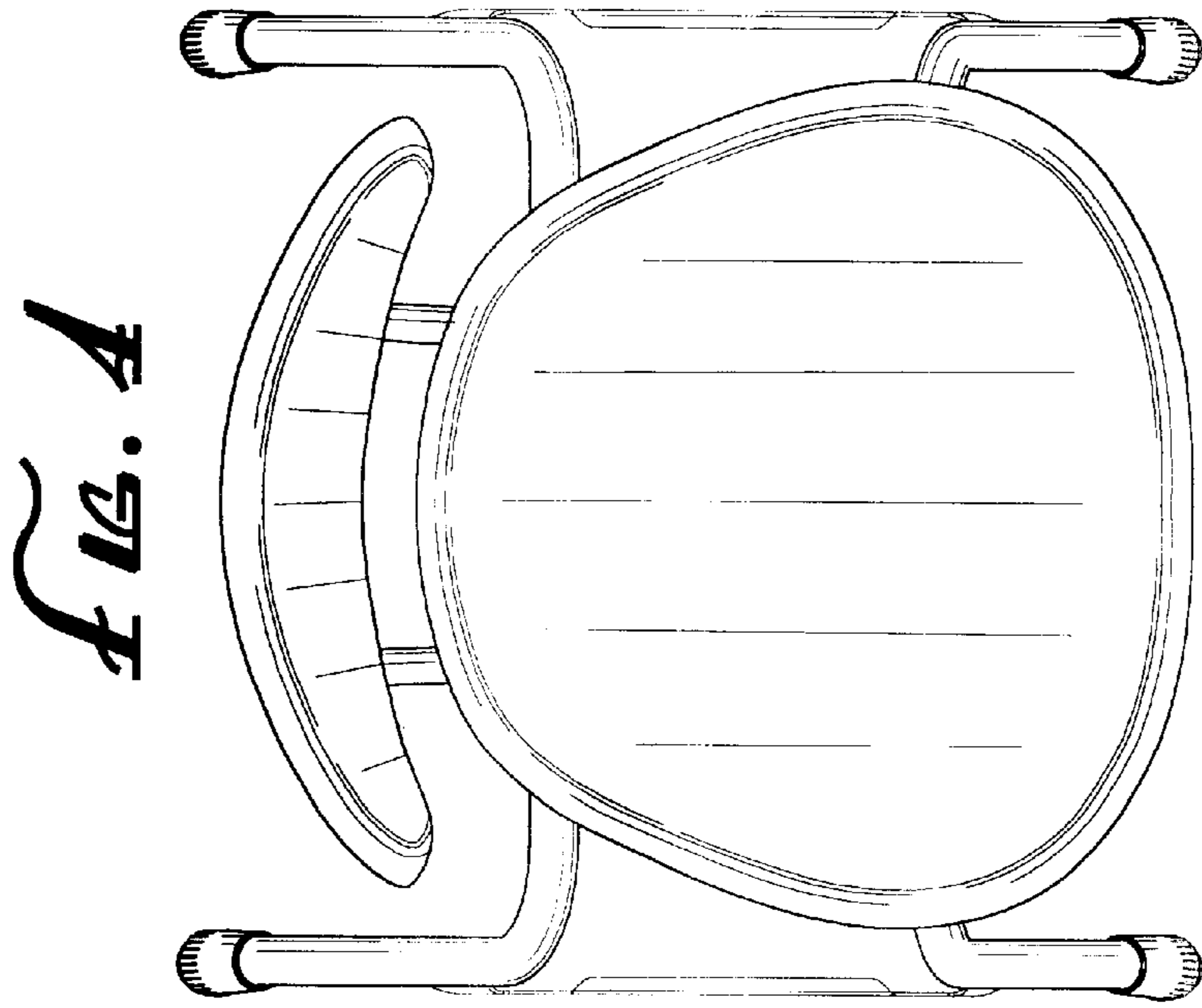


FIG. 6

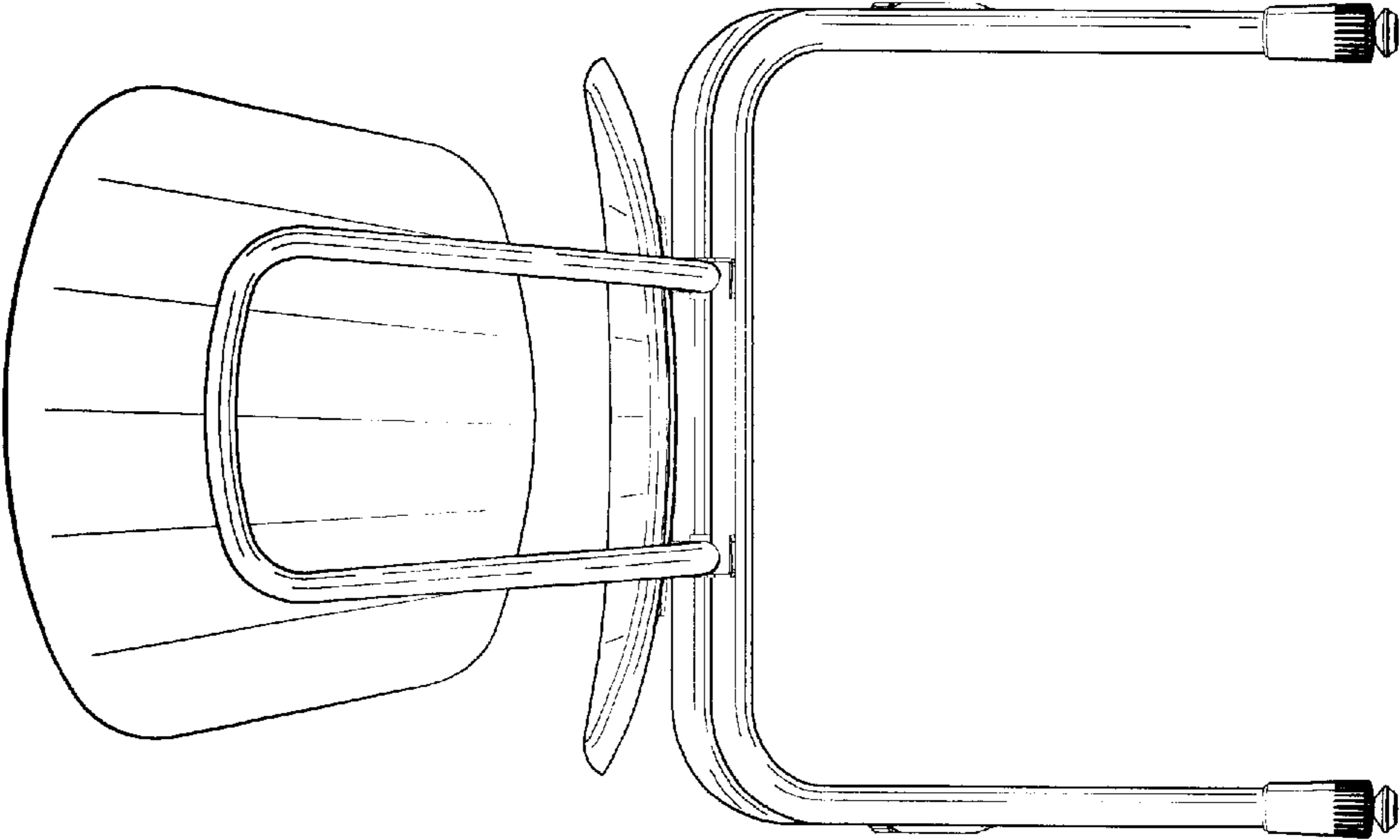


FIG. 5

