



US00D520765S

(12) **United States Design Patent** (10) **Patent No.:** **US D520,765 S**
Piano (45) **Date of Patent:** **** May 16, 2006**

(54) **CHAIR FOR THEATRES, AUDITORIUMS OR THE LIKE**

(75) Inventor: **Renzo Piano**, Genoa (IT)

(73) Assignee: **Poltrona Frau S.p.A.**, Turin (IT)

(**) Term: **14 Years**

(21) Appl. No.: **29/219,135**

(22) Filed: **Dec. 14, 2004**

(51) **LOC (8) Cl.** **06-01**

(52) **U.S. Cl.** **D6/368**

(58) **Field of Classification Search** D6/334,
D6/335, 336, 356, 364, 365, 367, 368, 371-374,
D6/381, 500-502; 297/232, 248, 311, 324,
297/326, 332, 335, 411.45, 451.5, 354.1,
297/217.3, 302.4

See application file for complete search history.

(56) **References Cited**

U.S. PATENT DOCUMENTS

2,365,570 A * 12/1944 Lee 297/331
D140,751 S * 4/1945 Jufe D6/368
2,492,111 A * 12/1949 Prosser et al. 297/331
2,500,124 A * 3/1950 Hoven 297/331
D165,457 S * 12/1951 Hoven et al. D6/368
2,595,582 A * 5/1952 Hoven et al. 297/302.4
2,608,238 A * 8/1952 Lewis et al. 297/332
2,620,858 A * 12/1952 Hoven et al. 297/248
3,137,527 A * 6/1964 Hoven et al. 297/411.45
3,287,060 A * 11/1966 Thompson 297/332
D222,350 S * 10/1971 Sundberg et al. D6/368

5,681,085 A * 10/1997 Nahoul 297/302.4
5,700,052 A * 12/1997 Yamazaki et al. 297/217.3
D396,967 S * 8/1998 Yamazaki D6/381
D428,276 S * 7/2000 Mitjans D6/381
D441,972 S * 5/2001 Mitjans D6/368
D445,269 S * 7/2001 Mitjans D6/368
D446,035 S * 8/2001 Haney D6/368
D479,657 S * 9/2003 Calatrava Valls D6/368
D509,672 S * 9/2005 Nemeth et al. D6/368
2003/0102703 A1 * 6/2003 Tenenboym et al. 297/326

* cited by examiner

Primary Examiner—Mimosa De

(74) *Attorney, Agent, or Firm*—Sughrue Mion, PLLC

(57) **CLAIM**

The ornamental design for a chair for theatres, auditoriums or the like, as shown and described.

DESCRIPTION

FIG. 1 is a perspective view of the top, front and left side of a chair for theatres, auditoriums or the like showing my new design, the chair is shown in a folded condition;

FIG. 2 is a top plan view thereof, but showing in an used condition;

FIG. 3 is a bottom plan view thereof;

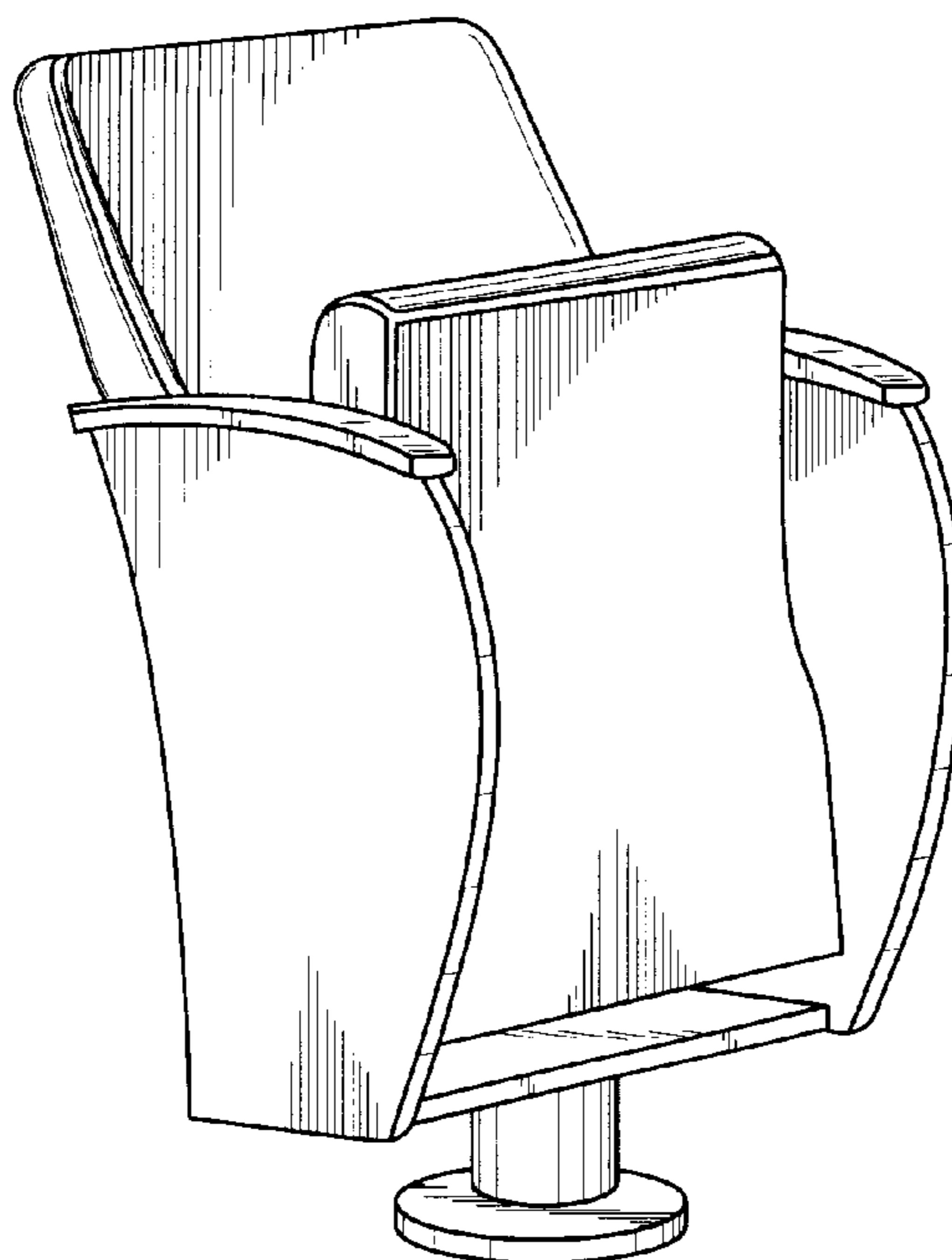
FIG. 4 is a slightly reduced left side elevational view thereof;

FIG. 5 is a slightly reduced rear elevational view thereof;

FIG. 6 is a slightly reduced right side elevational view thereof; and,

FIG. 7 is a slightly reduced front elevational view thereof.

1 Claim, 3 Drawing Sheets



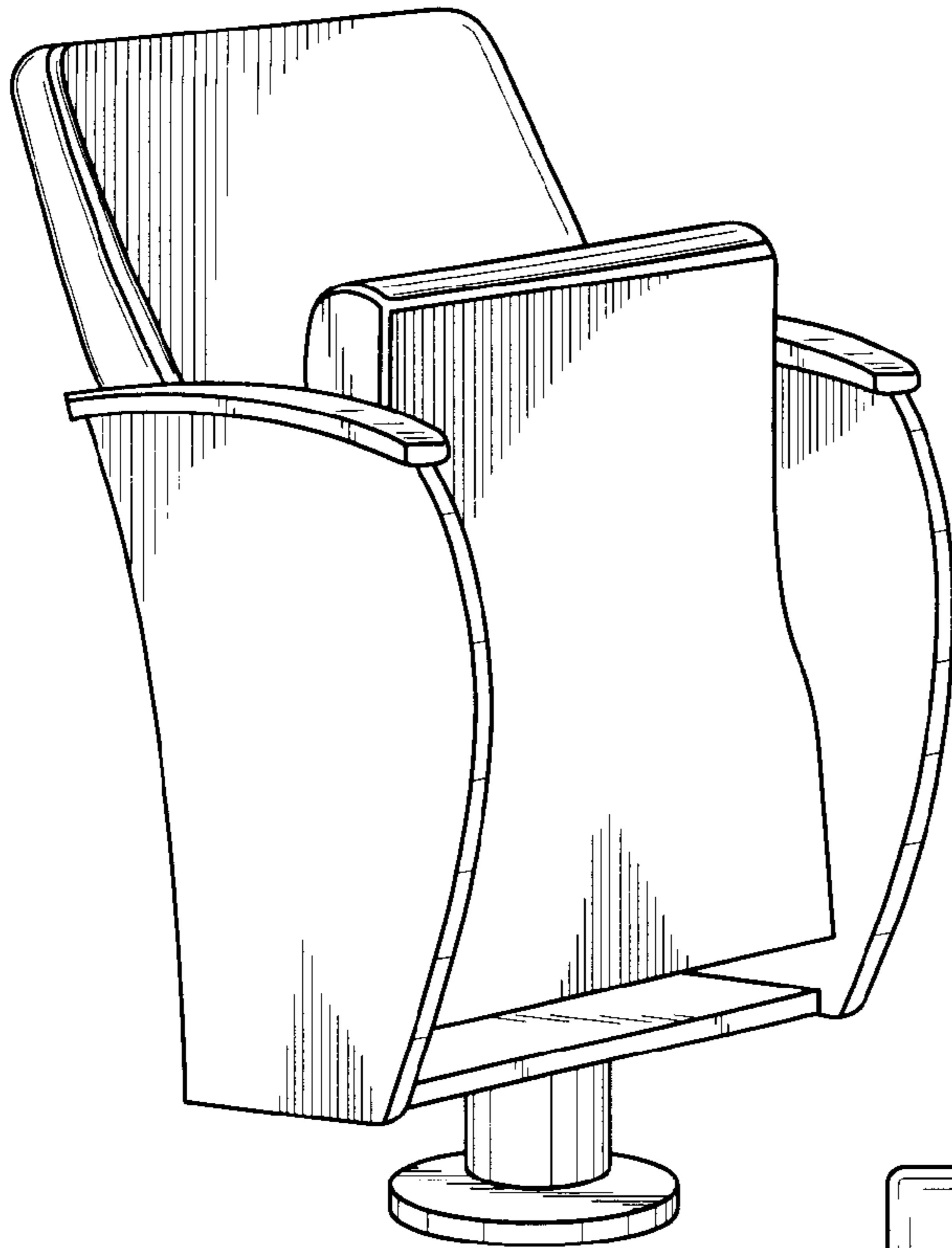


Fig. 1

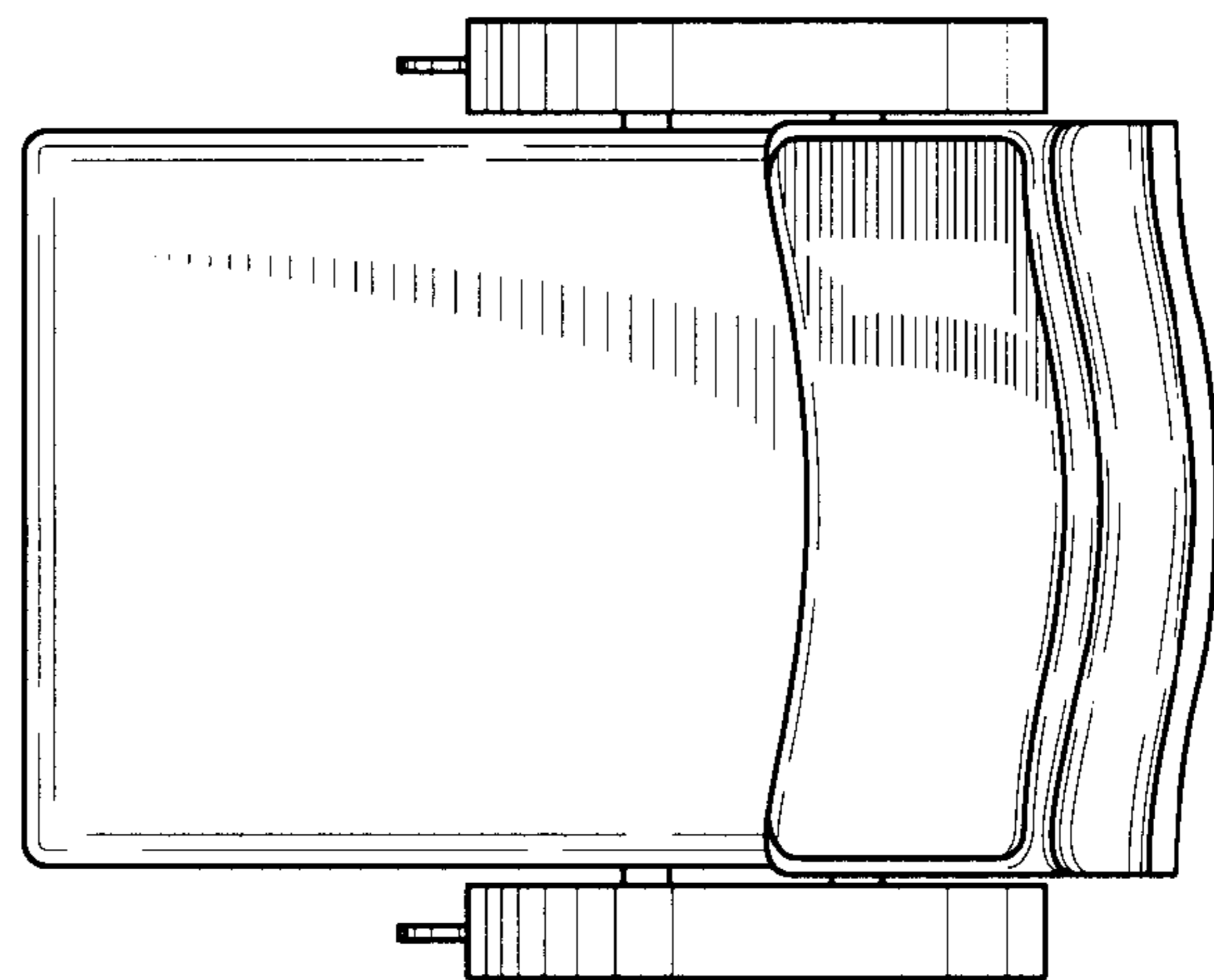


Fig. 2

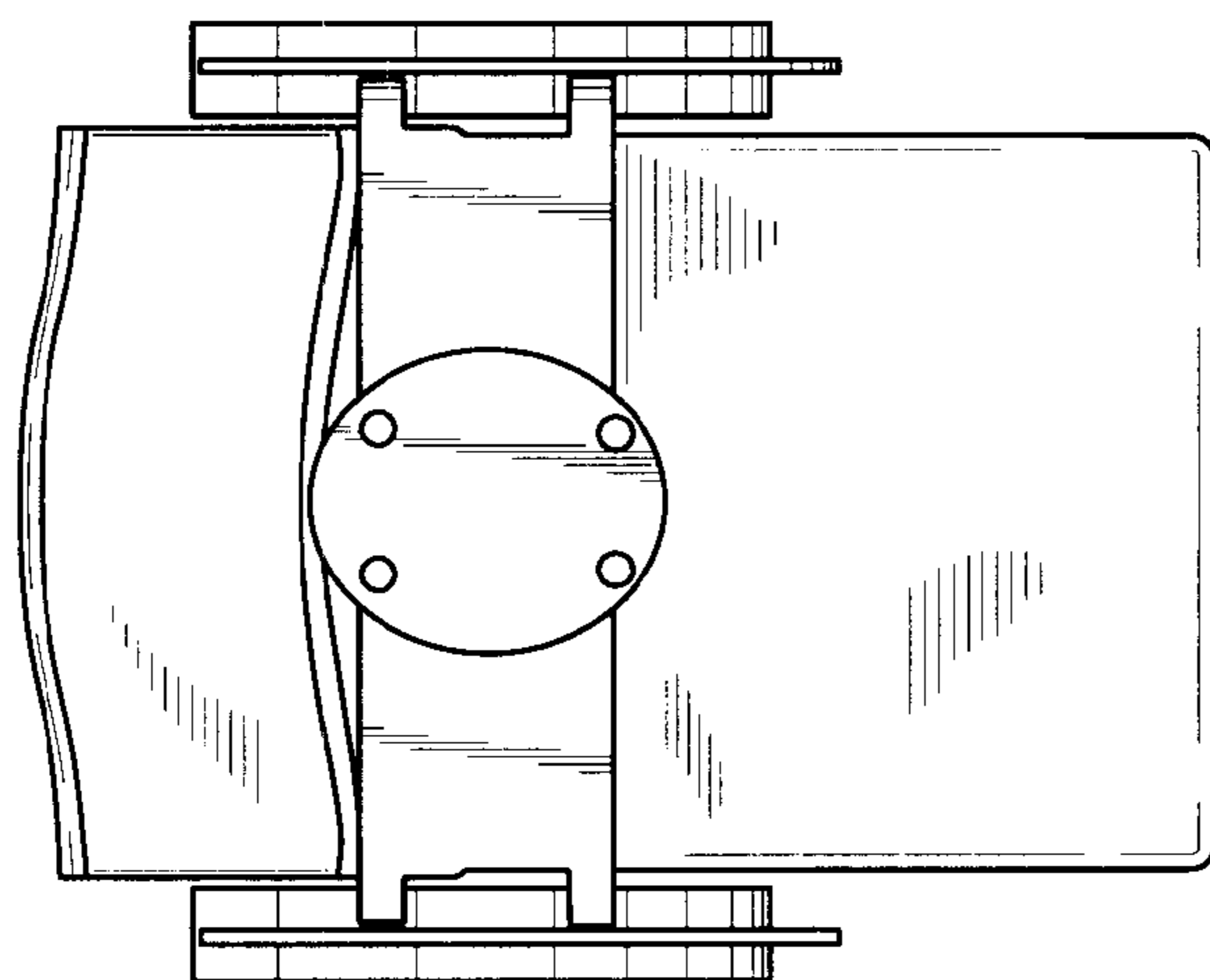


Fig. 3

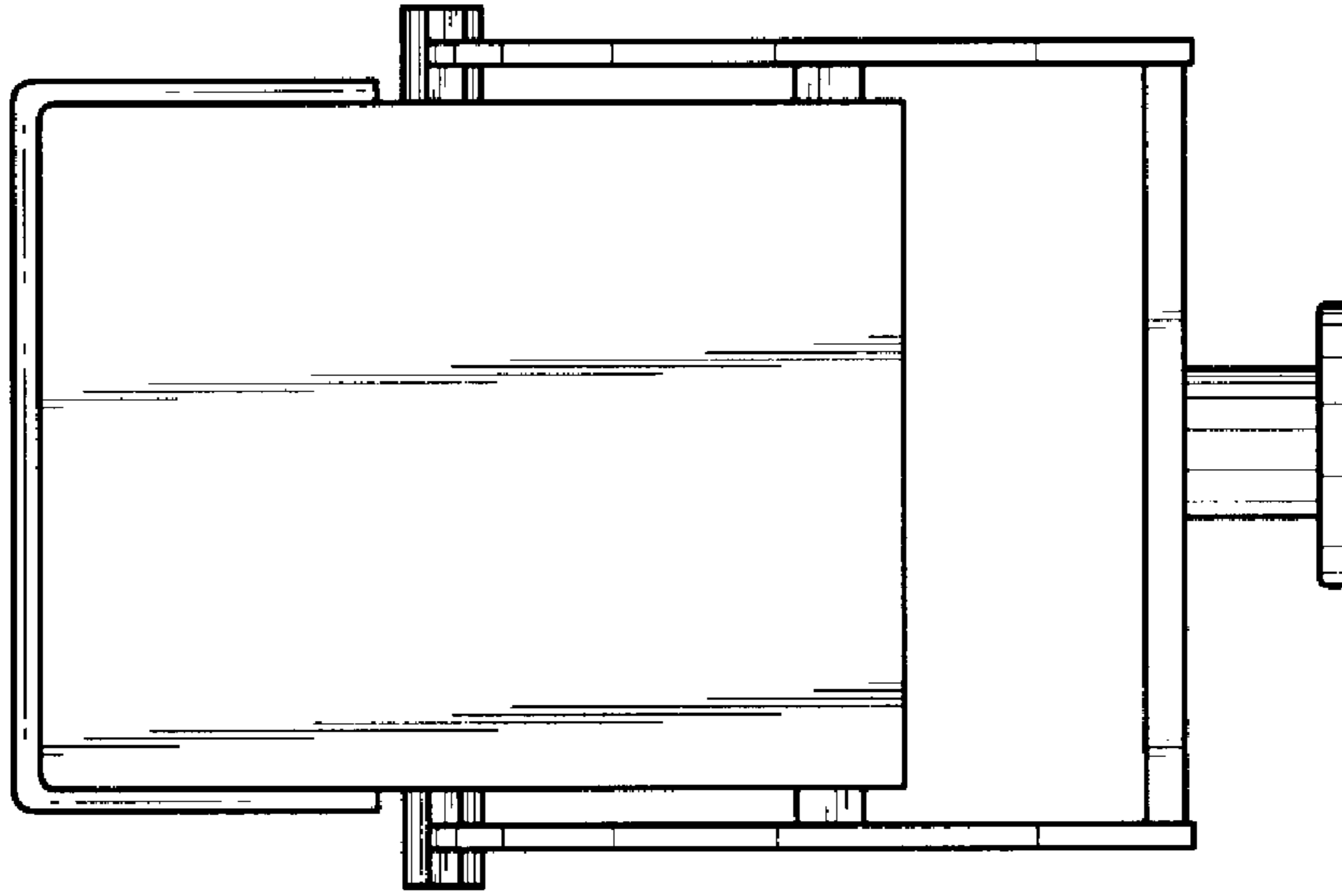


Fig. 5

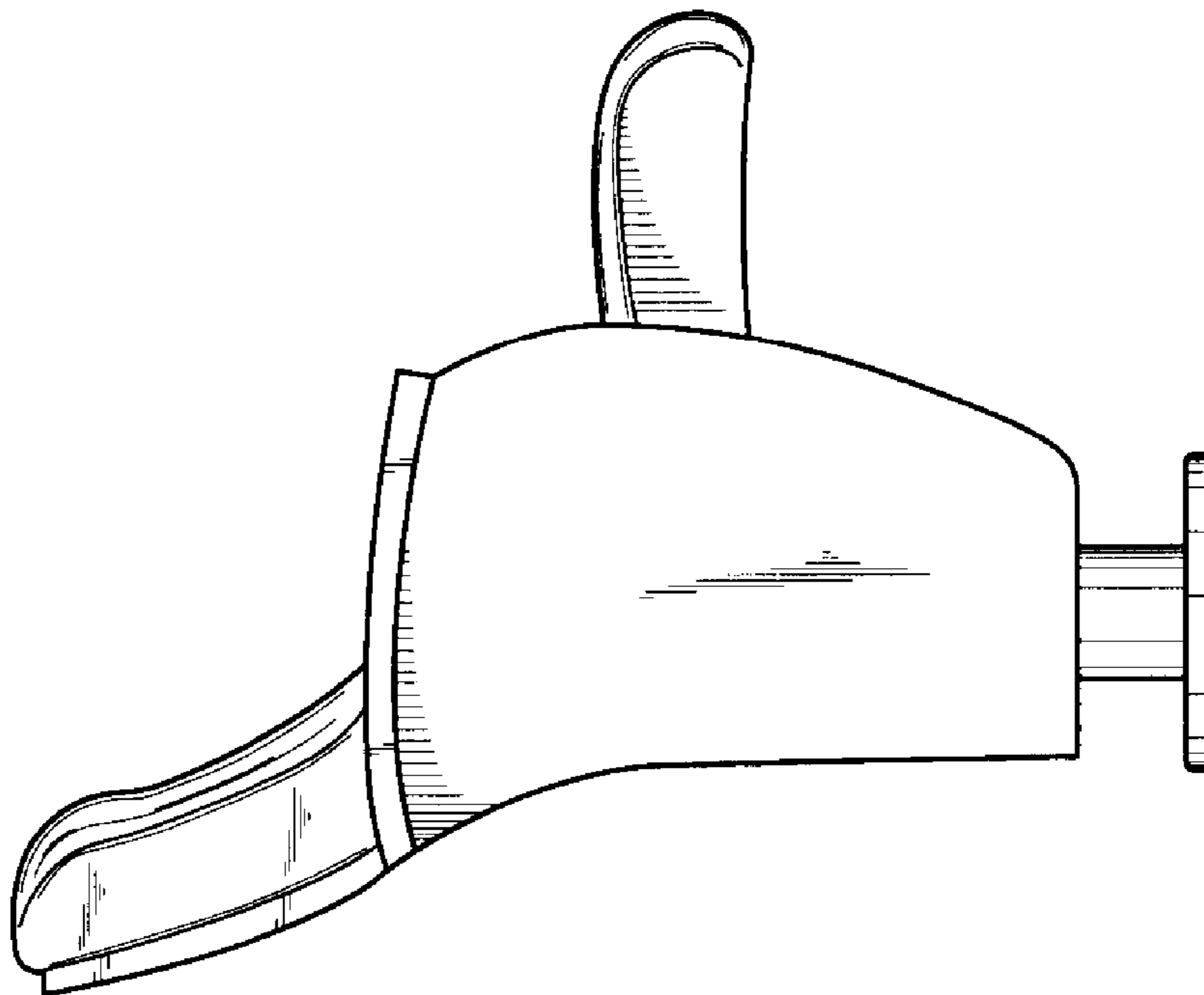


Fig. 4

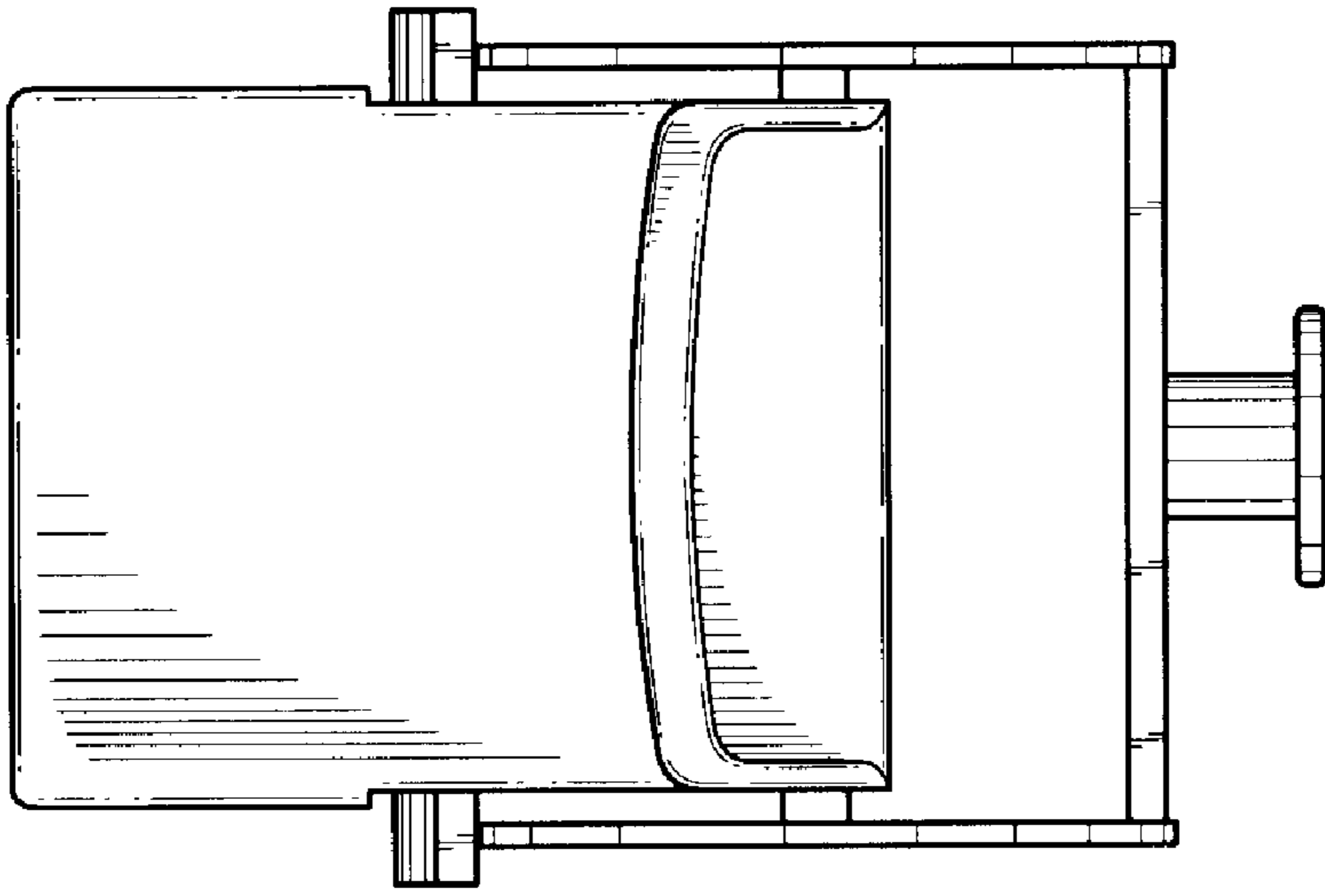


Fig. 7

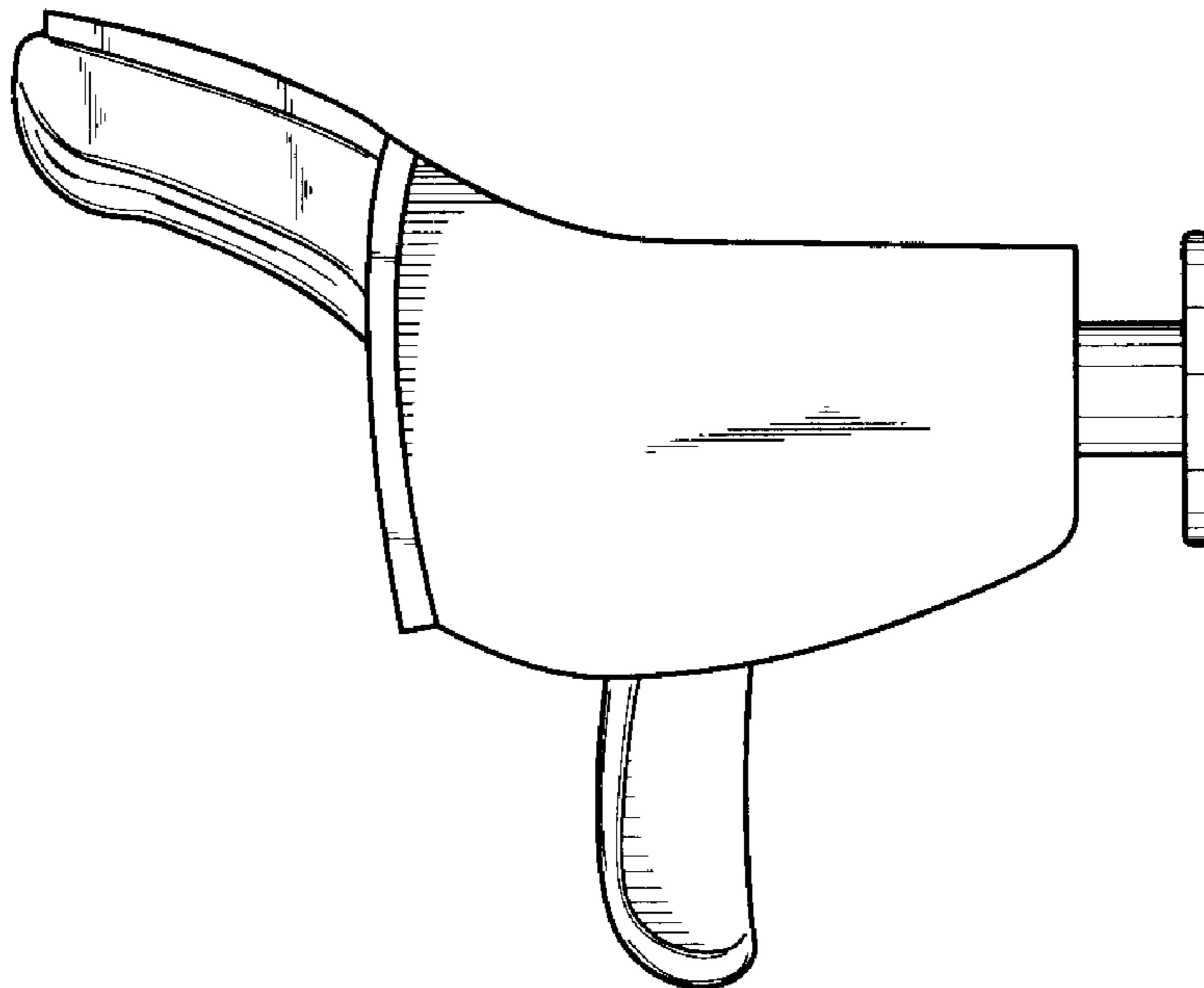


Fig. 6