



US00D520764S

(12) **United States Design Patent**  
**Kinoshita et al.**

(10) **Patent No.:** **US D520,764 S**

(45) **Date of Patent:** **\*\* \*May 16, 2006**

(54) **CHAIR**

(75) Inventors: **Yojiro Kinoshita**, Osaka (JP); **Kenji Teshima**, Osaka (JP); **Fritz Frenkler**, Frankfurt am Main (DE)

(73) Assignee: **Kokuyo Co., Ltd.** (JP)

(\*) Notice: This patent is subject to a terminal disclaimer.

(\*\*) Term: **14 Years**

(21) Appl. No.: **29/204,467**

(22) Filed: **Apr. 30, 2004**

(30) **Foreign Application Priority Data**

Nov. 12, 2003 (JP) ..... D2003-033648

(51) **LOC (8) Cl.** ..... **06-01**

(52) **U.S. Cl.** ..... **D6/366**

(58) **Field of Classification Search** ..... D6/334,  
D6/335, 364, 365, 366, 367, 500-502; 297/411.2,  
297/411.27, 411.28, 452.29

See application file for complete search history.

(56) **References Cited**

**U.S. PATENT DOCUMENTS**

D390,712 S \* 2/1998 Koepke et al. .... D6/366

D405,618 S \* 2/1999 Reutepohler et al. .... D6/366  
D409,404 S \* 5/1999 Kaczmarek ..... D6/366  
D417,793 S \* 12/1999 Ritch et al. .... D6/366  
D423,261 S \* 4/2000 Ritch et al. .... D6/500  
D436,768 S \* 1/2001 Jenkins et al. .... D6/500  
D437,703 S \* 2/2001 Deacon ..... D6/366  
D474,630 S \* 5/2003 Piretti ..... D6/500  
D481,230 S \* 10/2003 Piretti et al. .... D6/500

\* cited by examiner

*Primary Examiner*—Mimosa De

(74) *Attorney, Agent, or Firm*—Banner & Witcoff, Ltd.

(57) **CLAIM**

The ornamental design for a chair, as shown and described.

**DESCRIPTION**

FIG. 1 is a front elevational view of a chair showing our new design;

FIG. 2 is a rear elevational view;

FIG. 3 is a top plan view thereof;

FIG. 4 is a bottom plan view thereof;

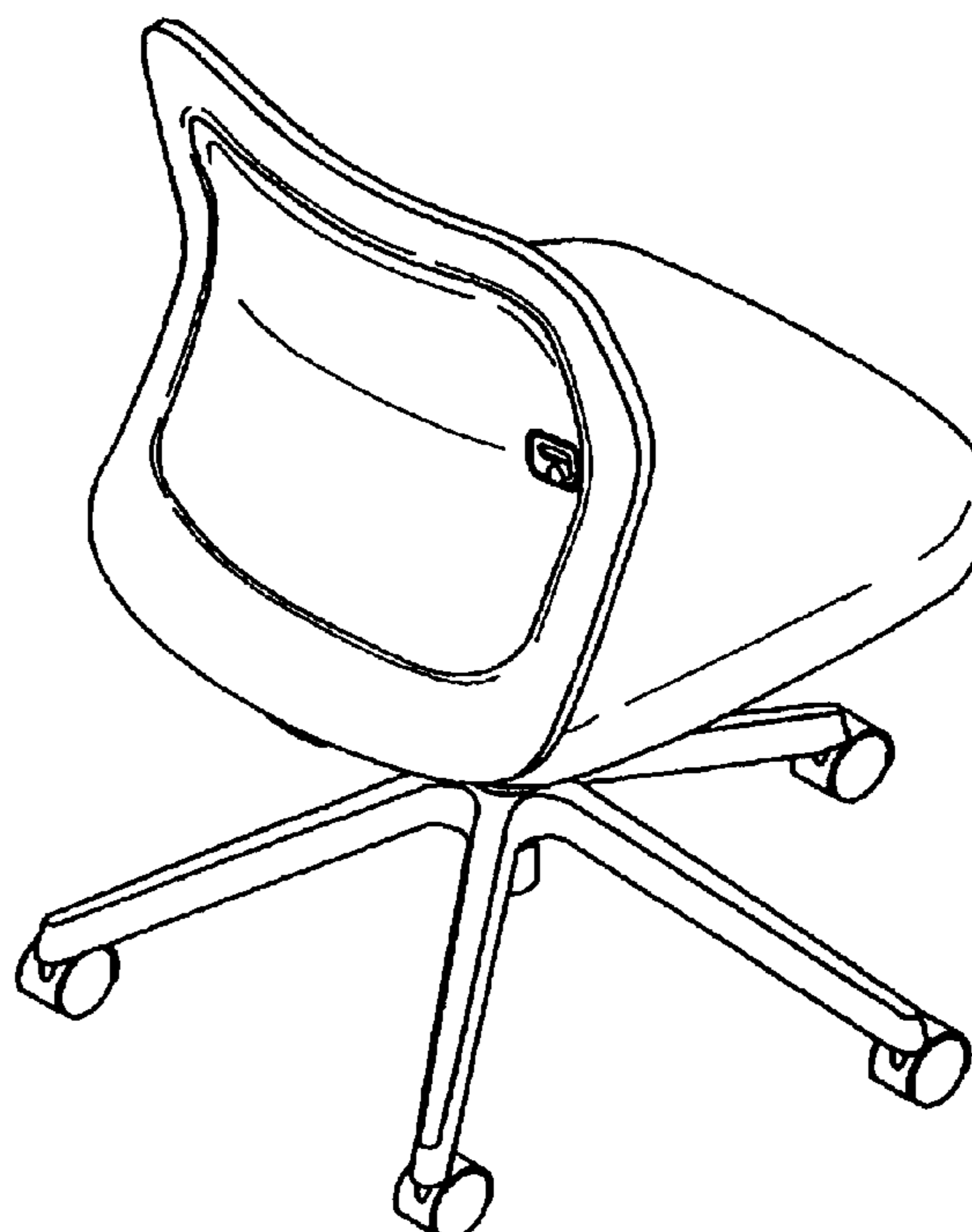
FIG. 5 is a right side elevational view thereof;

FIG. 6 is a left side elevational view thereof;

FIG. 7 is a perspective view thereof; and,

FIG. 8 is a rear perspective view thereof.

**1 Claim, 8 Drawing Sheets**



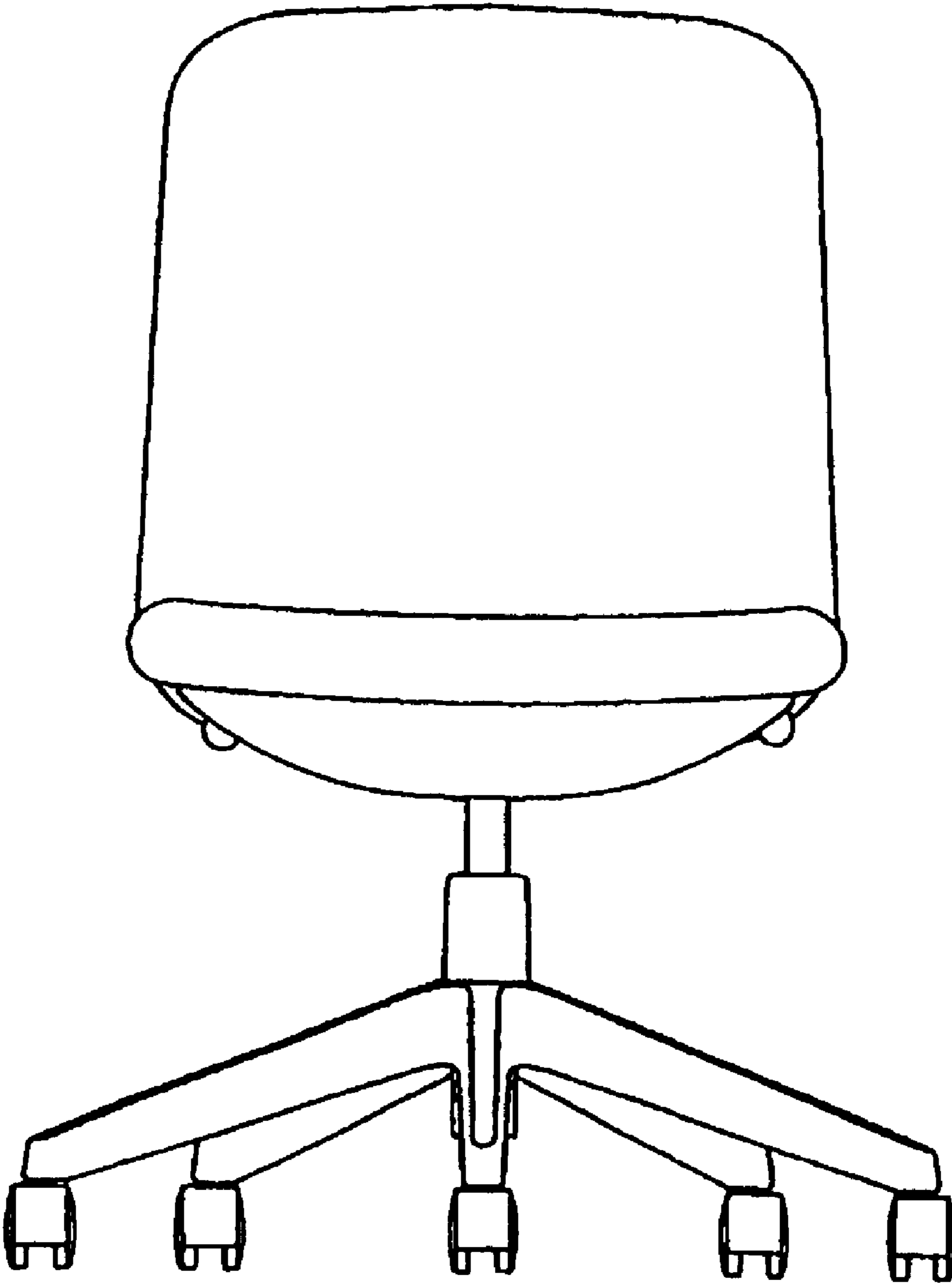


FIG. 1

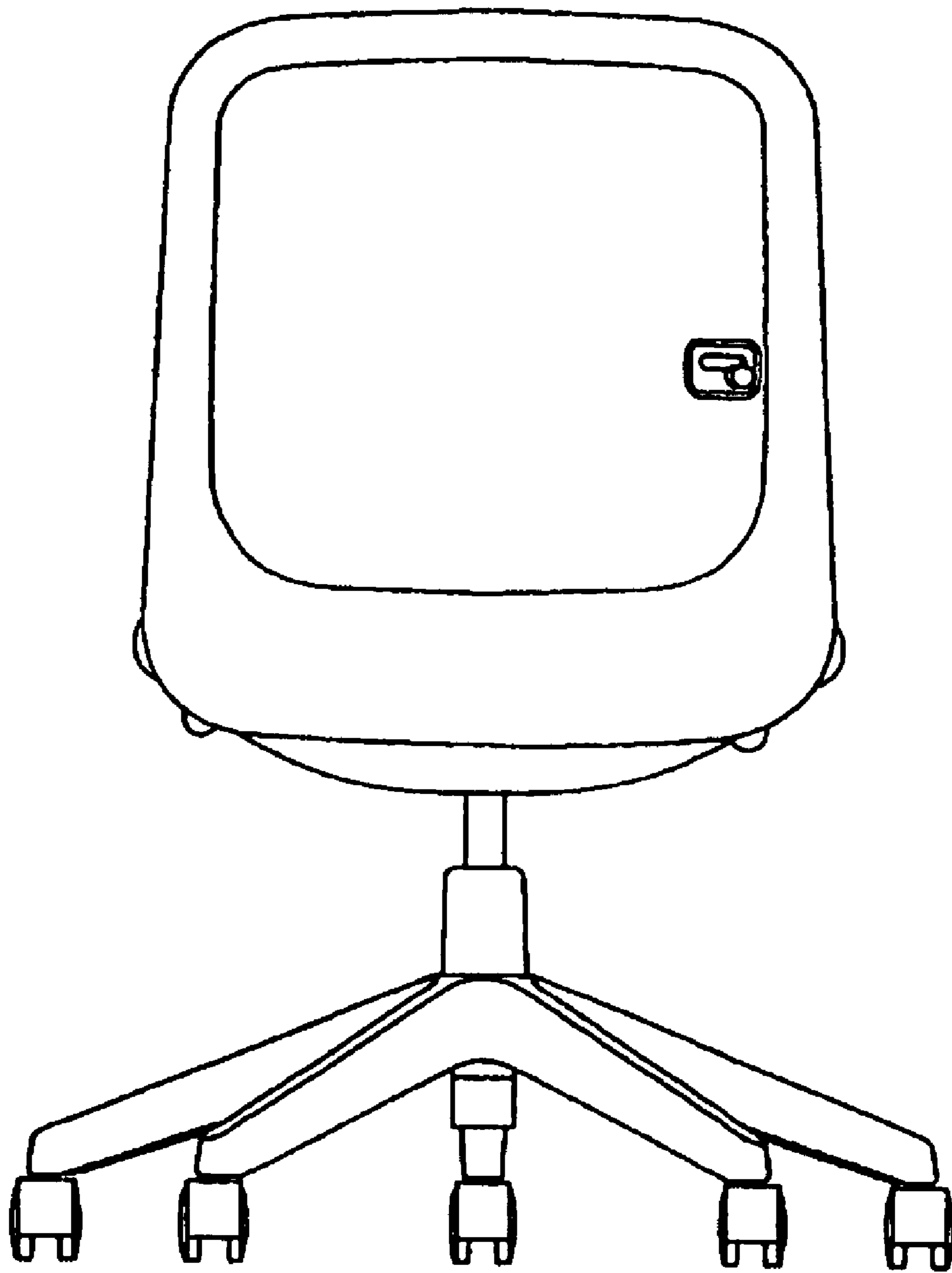


FIG. 2

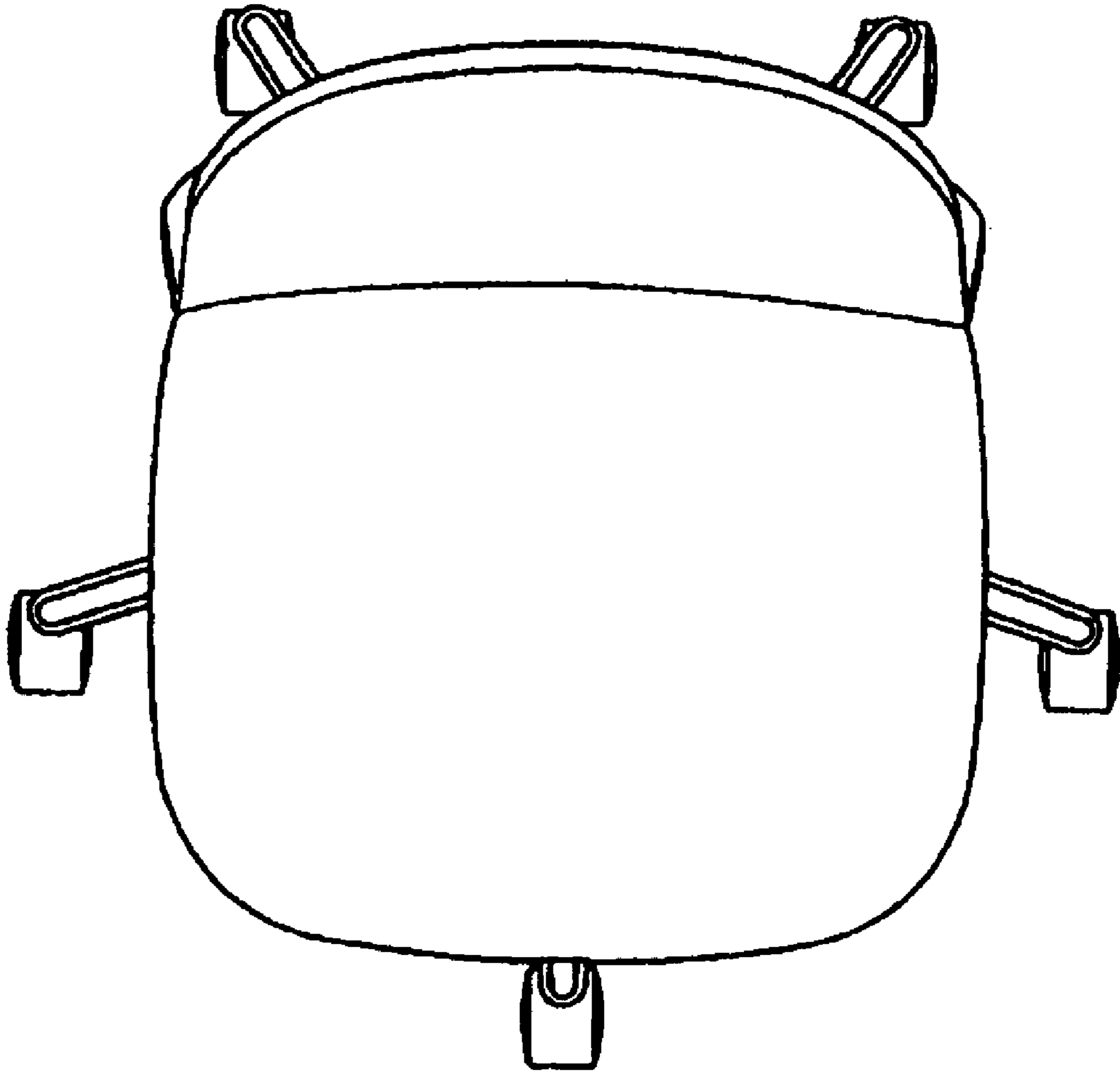


FIG. 3

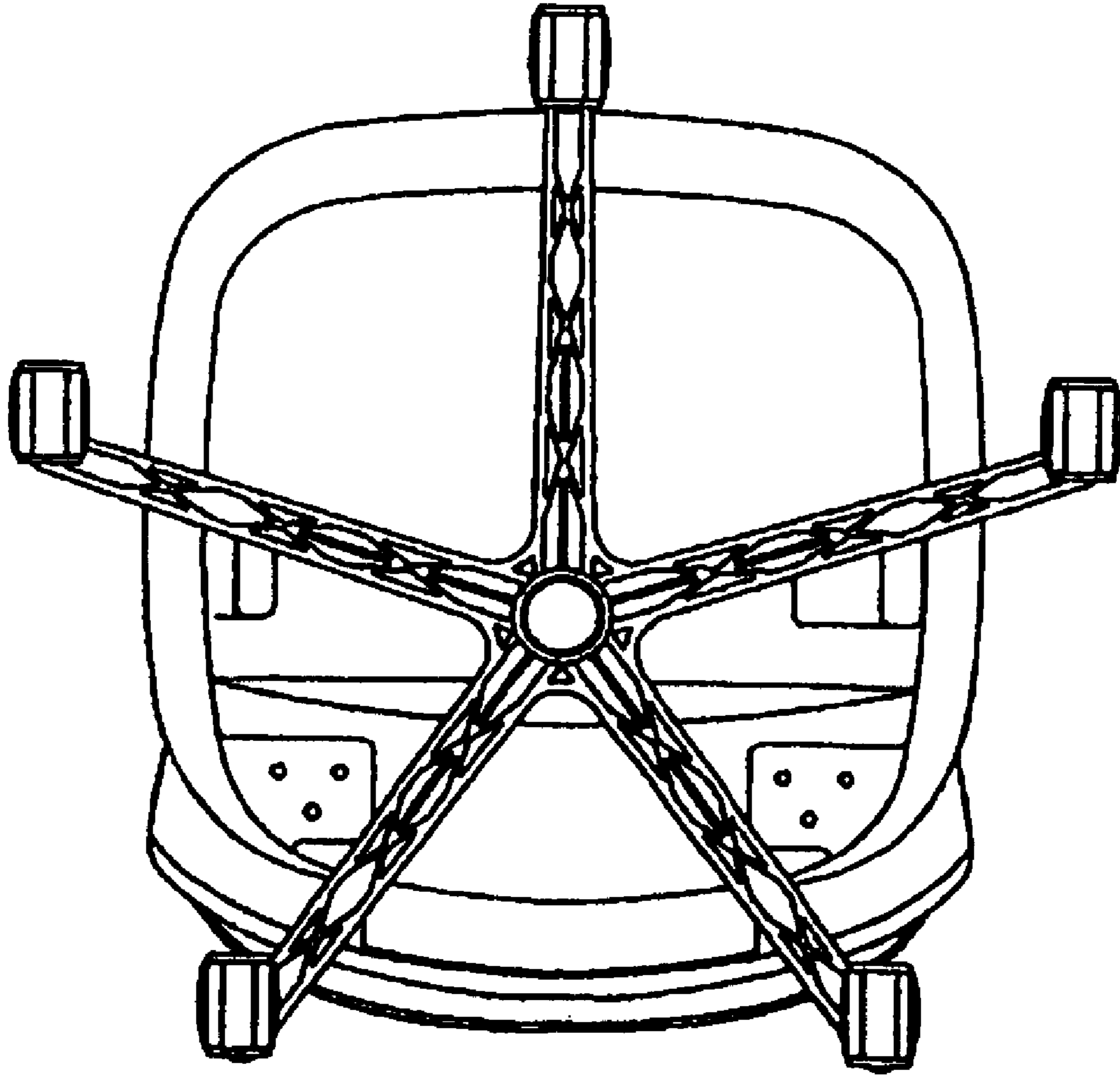


FIG. 4

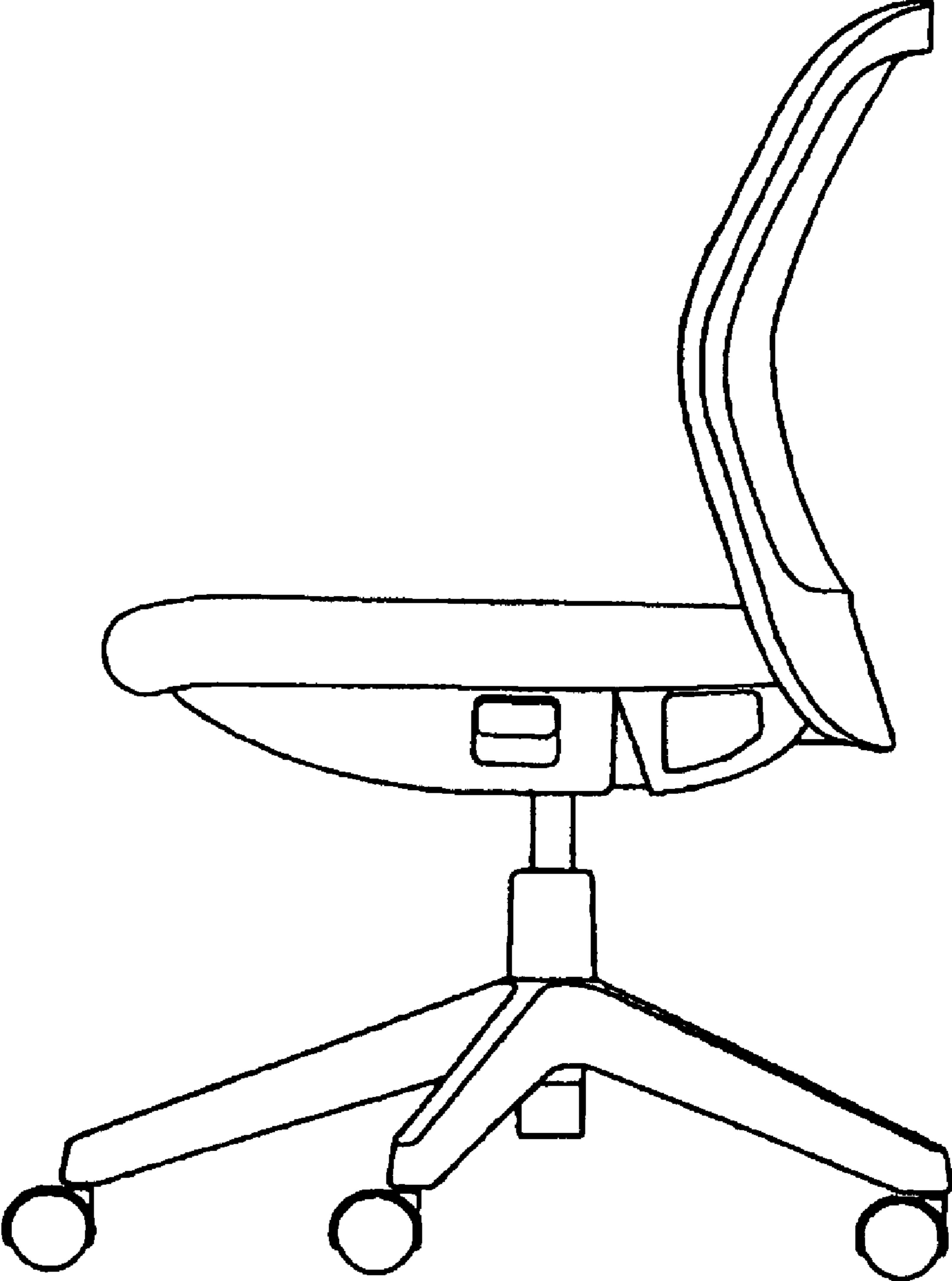


FIG. 5

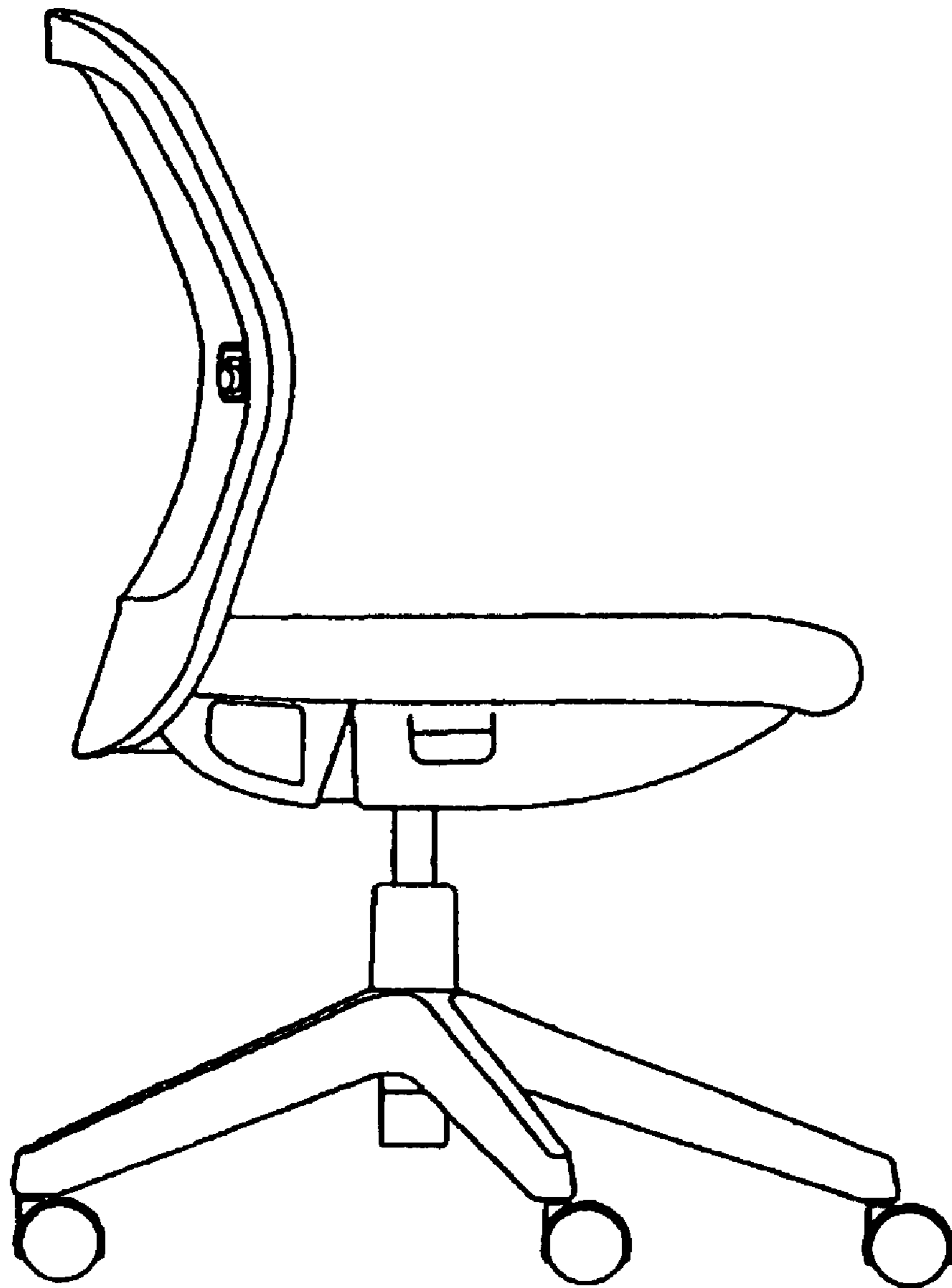


FIG. 6



FIG. 7



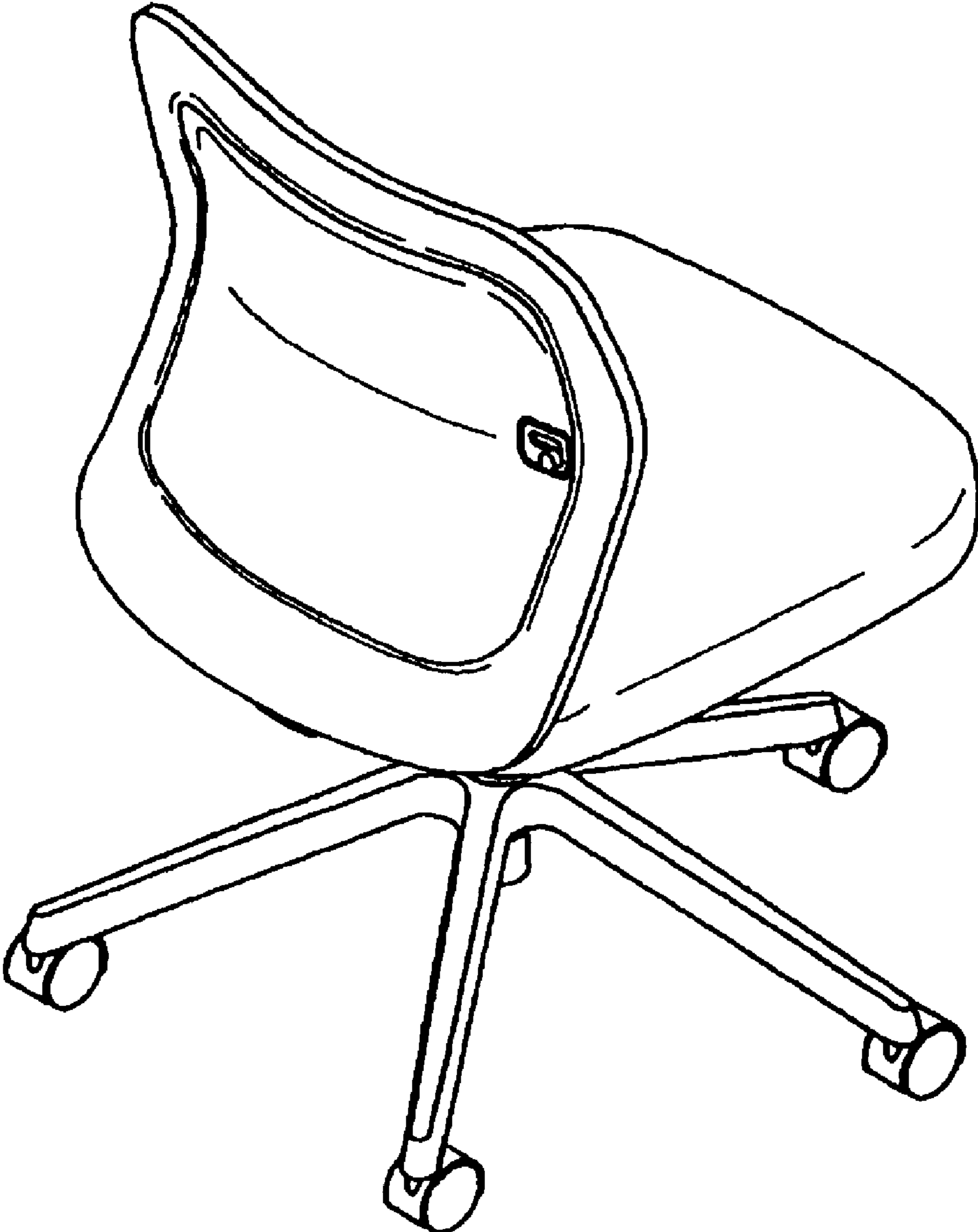


FIG. 8