



US00D520753S

(12) **United States Design Patent**
Hohlbein

(10) **Patent No.:** **US D520,753 S**

(45) **Date of Patent:** **** *May 16, 2006**

(54) **SET OF BRISTLES FOR A TOOTHBRUSH**

(75) Inventor: **Douglas J. Hohlbein**, Pennington, NJ (US)

(73) Assignee: **Colgate-Palmolive Company**, New York, NY (US)

(*) Notice: This patent is subject to a terminal disclaimer.

(**) Term: **14 Years**

(21) Appl. No.: **29/211,030**

(22) Filed: **Aug. 11, 2004**

Related U.S. Application Data

(63) Continuation of application No. 29/189,729, filed on Sep. 10, 2003.

(51) **LOC (8) Cl.** **04-02**

(52) **U.S. Cl.** **D4/104**

(58) **Field of Classification Search** D4/104-112, D4/132, 134, 138; D24/146, 147; 15/105, 15/110, 111, 143.1, 167.1, 167.2, 207.2, DIG. 5, 15/6; 16/430, 431; 132/308, 309, 311; 601/139, 601/141; 606/160, 161, 235

See application file for complete search history.

(56) **References Cited**

U.S. PATENT DOCUMENTS

1,132,326	A	*	3/1915	Fouyer	15/167.1
1,588,785	A		6/1926	Van Sant		
2,161,349	A		6/1939	Hadden		
2,186,005	A		1/1940	Casto		
2,262,982	A	*	11/1941	Wolcott	15/167.1
D272,683	S		2/1984	Stocchi		
D273,635	S		5/1984	Stocchi		
5,120,225	A		6/1992	Amit		
5,396,678	A		3/1995	Bredall et al.		
D360,981	S	*	8/1995	Moskovich et al.	D4/104
D378,166	S		2/1997	Savitt et al.		
5,628,082	A		5/1997	Moskovich		

D434,906	S	*	12/2000	Beals et al.	D4/104
D440,767	S		4/2001	Moskovich et al.		
6,311,358	B1		11/2001	Soetewey et al.		
D451,286	S	*	12/2001	Hohlbein	D4/104
6,374,448	B1		4/2002	Seifert		
D456,607	S		5/2002	Carlucci et al.		
6,446,295	B1		9/2002	Calabrese		
D479,046	S		9/2003	Winkler		
D483,183	S		12/2003	De Salvo		
6,654,979	B1		12/2003	Calabrese		
6,735,804	B1		5/2004	Carlucci et al.		
2001/0023516	A1		9/2001	Driesen et al.		
2002/0004964	A1		1/2002	Luchino et al.		
2002/0108194	A1		8/2002	Carlucci et al.		
2002/0138926	A1		10/2002	Brown, Jr. et al.		

FOREIGN PATENT DOCUMENTS

JP		2000000118	A	*	1/2000
JP		2002191436	A	*	7/2002
WO	WO	2004/026162	A2		4/2004
WO	WO	2004/028235	A2		4/2004

* cited by examiner

Primary Examiner—Alan P. Douglas

Assistant Examiner—Lavone D. Tabor

(74) *Attorney, Agent, or Firm*—Harris A. Wolin

(57) **CLAIM**

The ornamental design for a set of bristles of a toothbrush, as shown and described.

DESCRIPTION

FIG. 1 is a perspective front view of a set of bristles for a toothbrush showing my new design; FIG. 2 is a right side view thereof; FIG. 3 is a left side view thereof; FIG. 4 is a top view thereof; and FIG. 5 is an enlarged perspective view thereof; and, FIG. 6 is an enlarged top view thereof. The broken line showing of the remainder of the toothbrush for illustrative purposes only and forms no part of the claimed design.

1 Claim, 4 Drawing Sheets

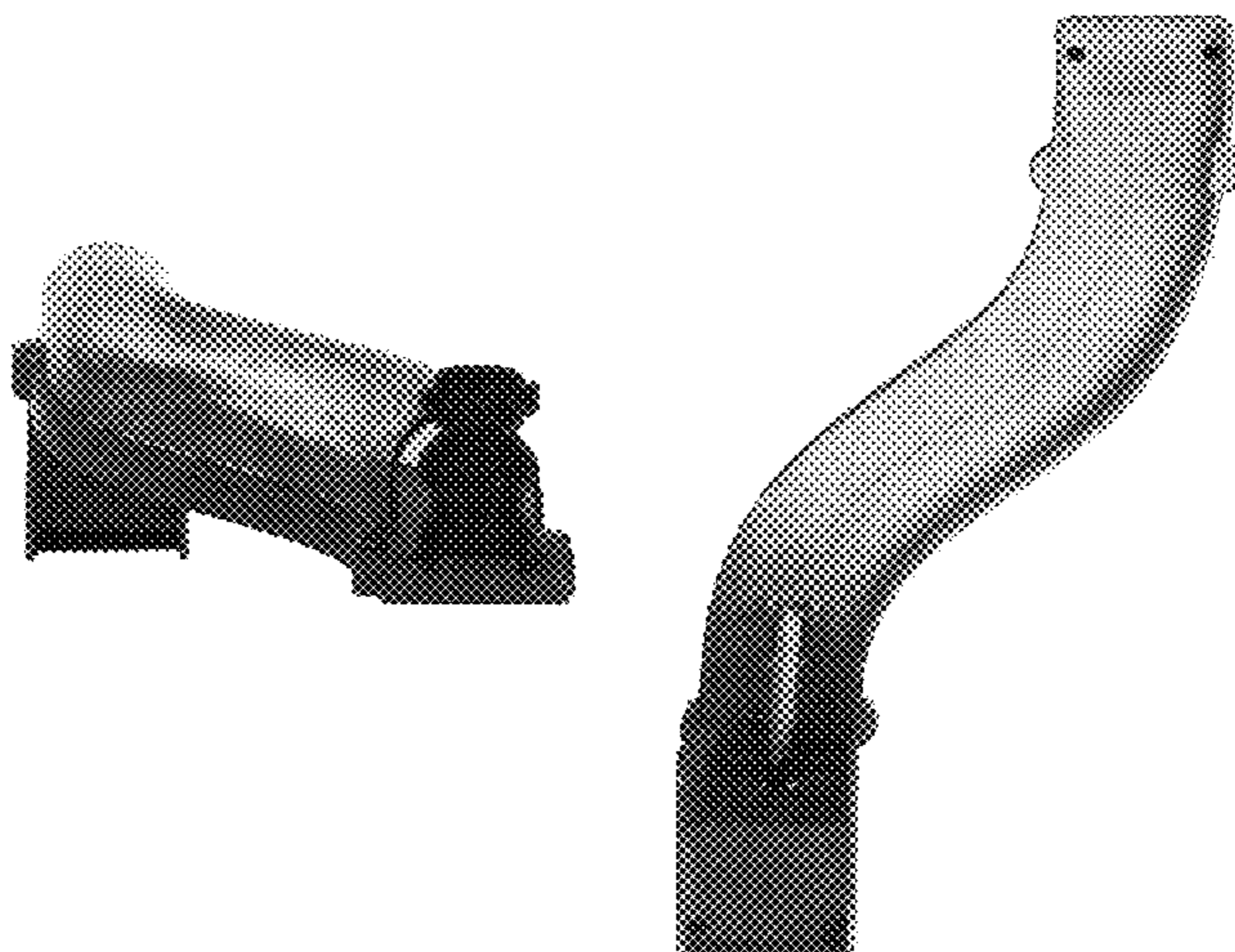




FIG. 3

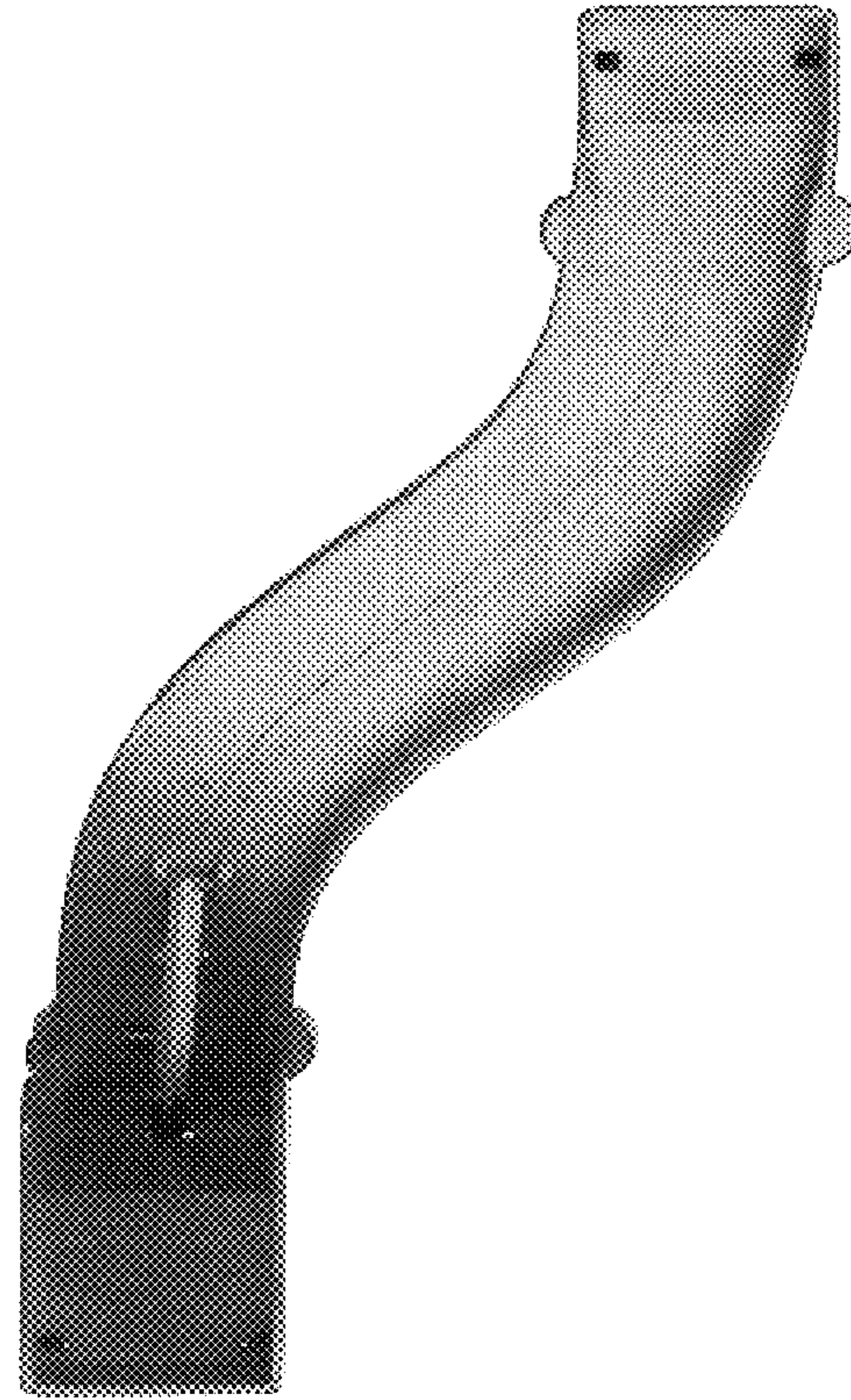


FIG. 4

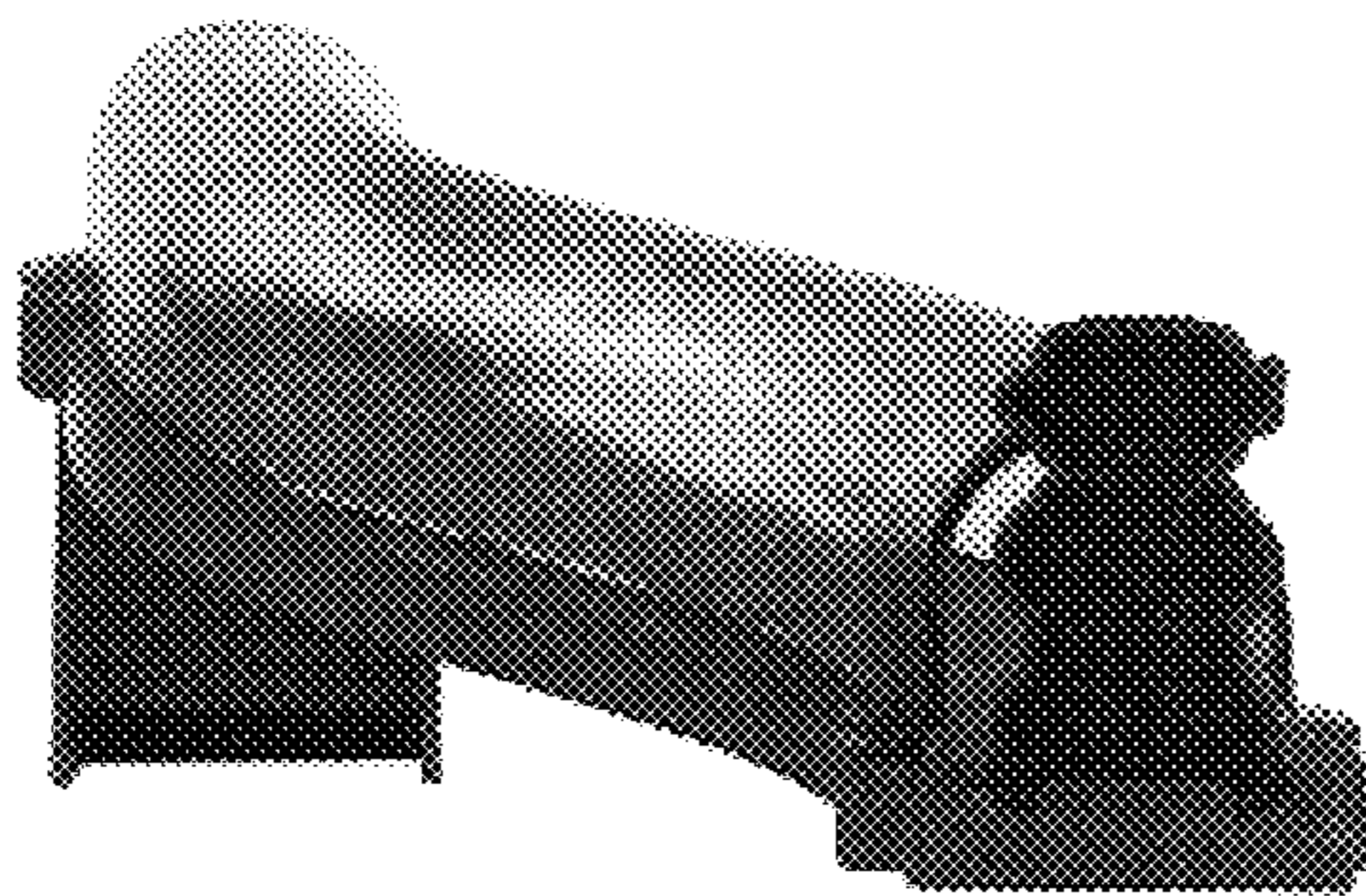


FIG. 1

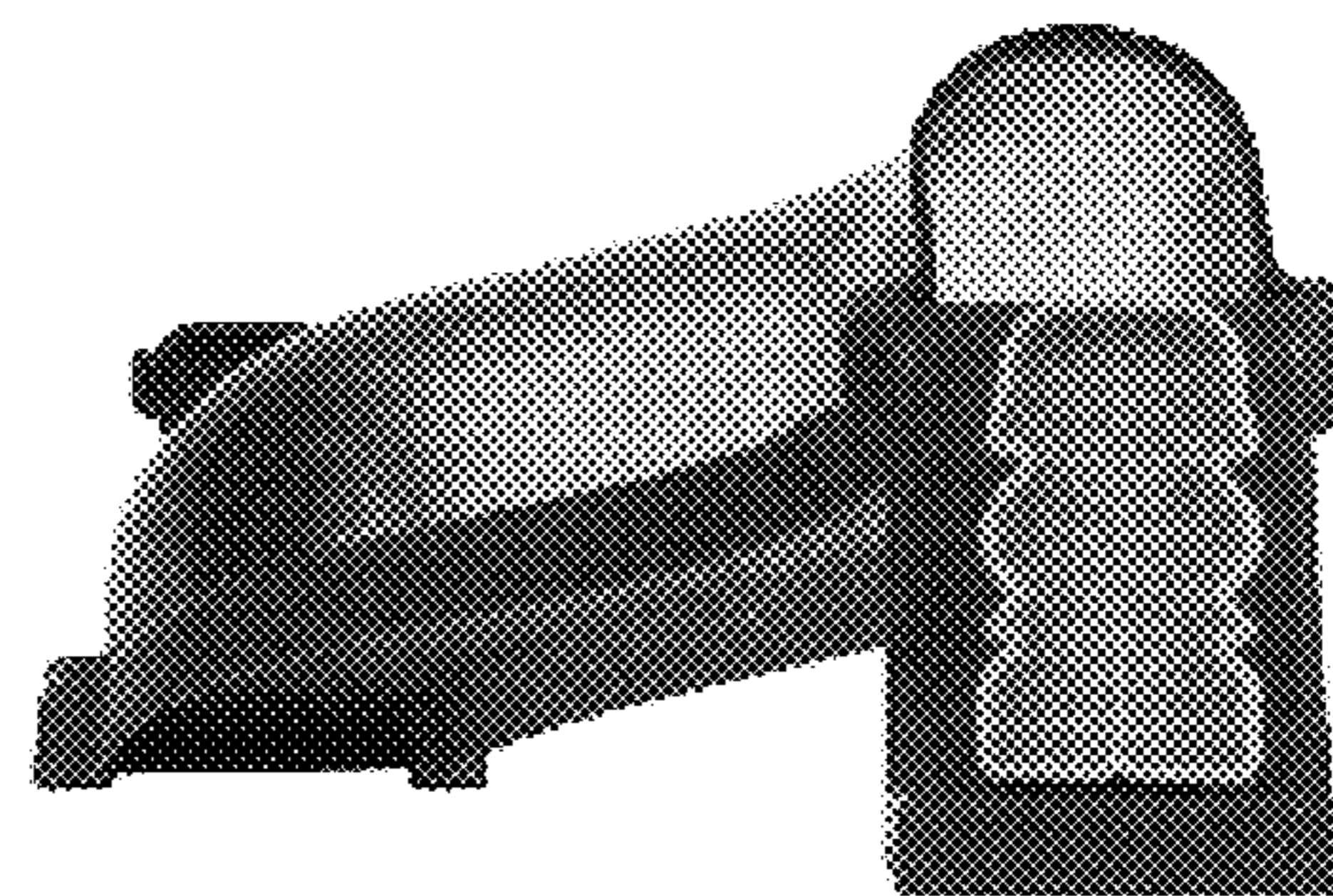


FIG. 2

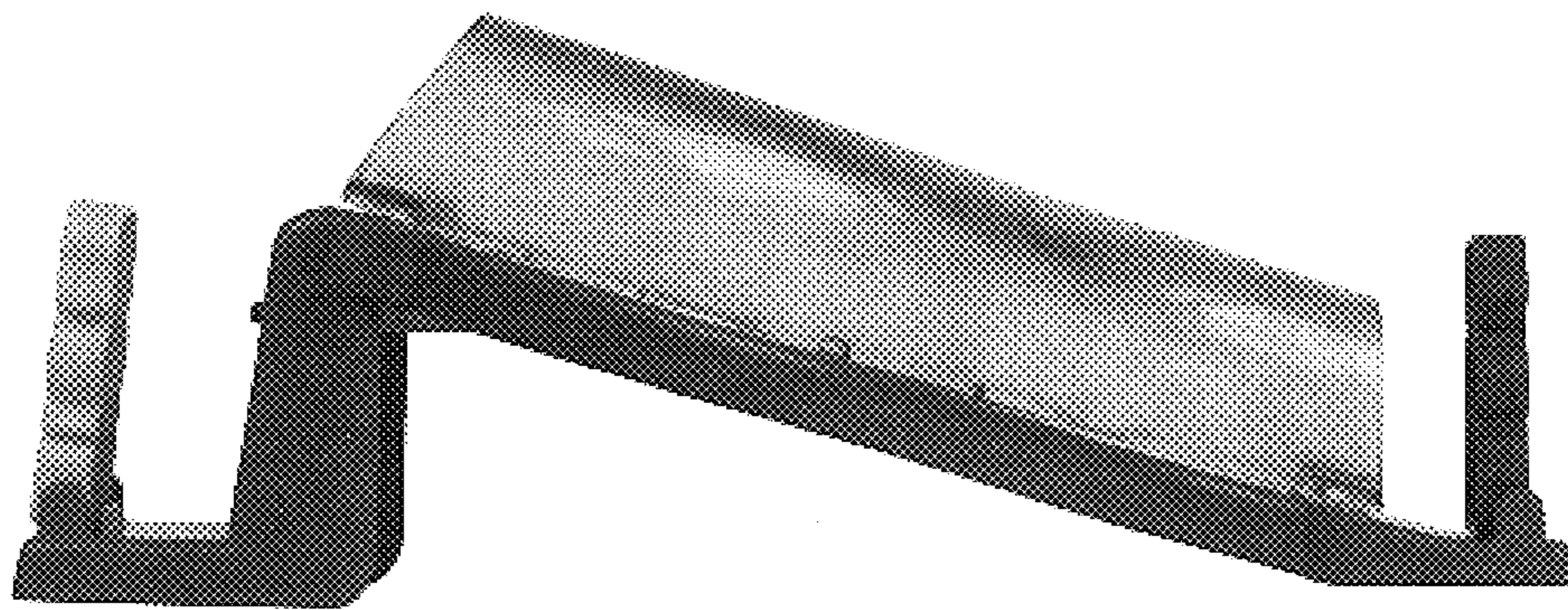


FIG. 5

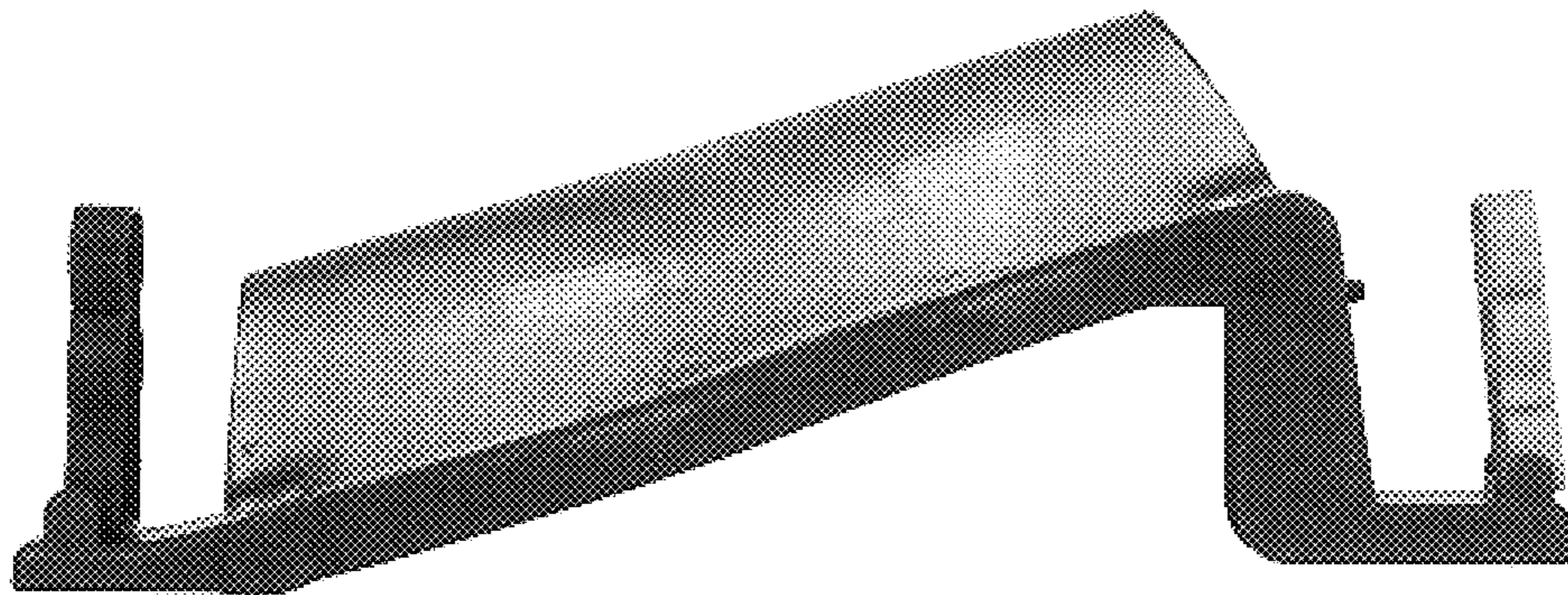


FIG. 6

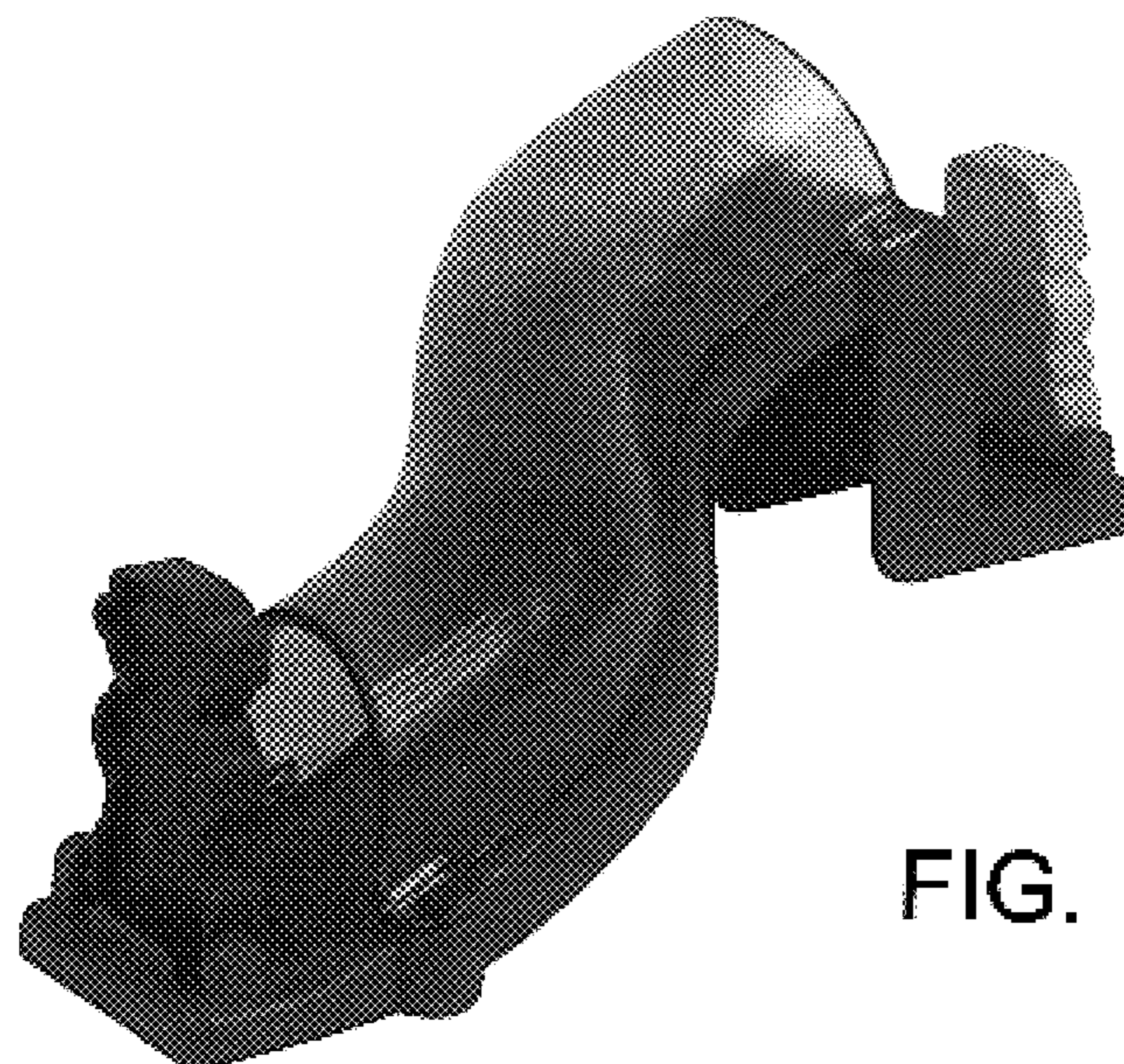


FIG. 7



FIG. 4

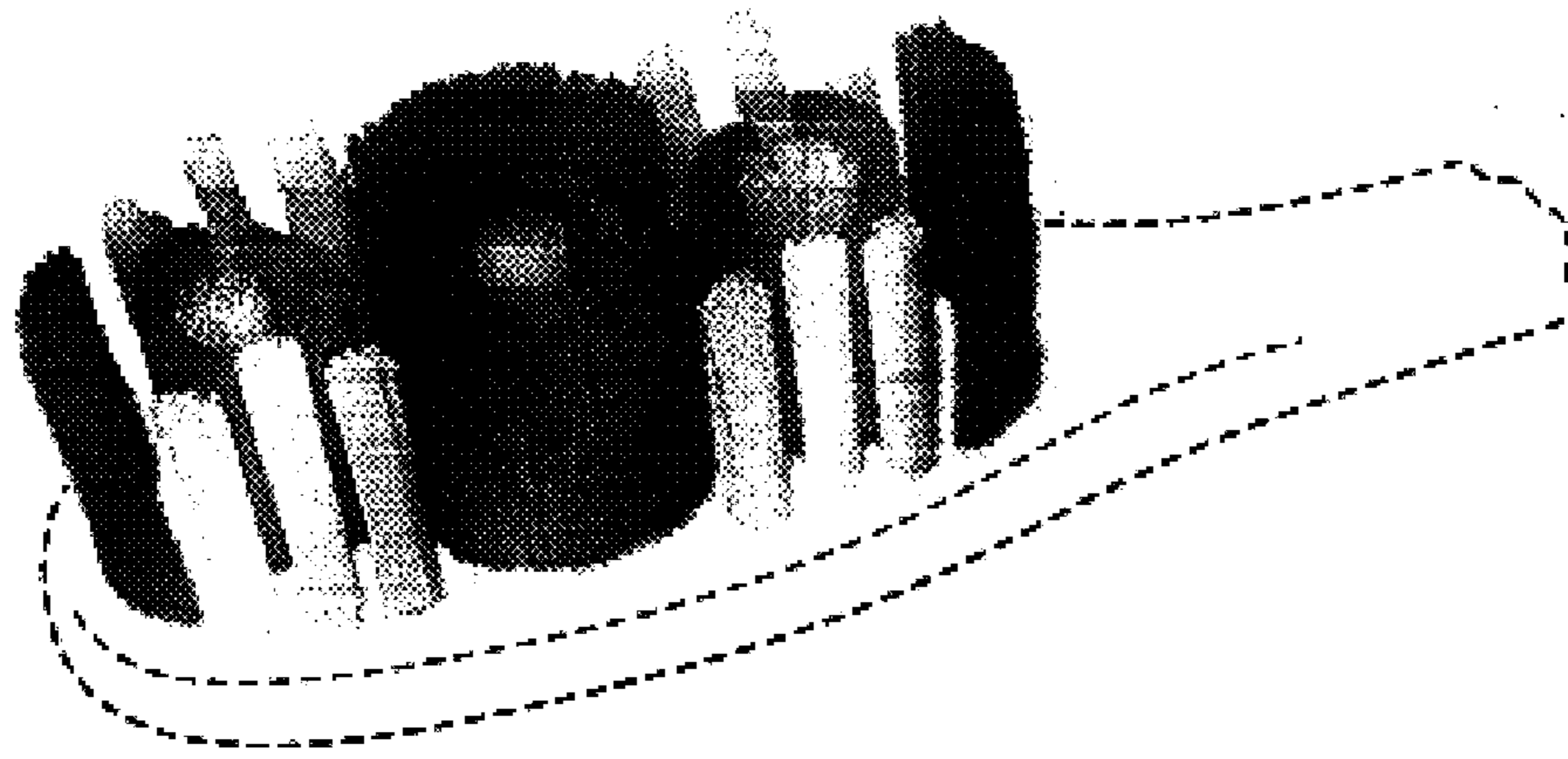


FIG. 5

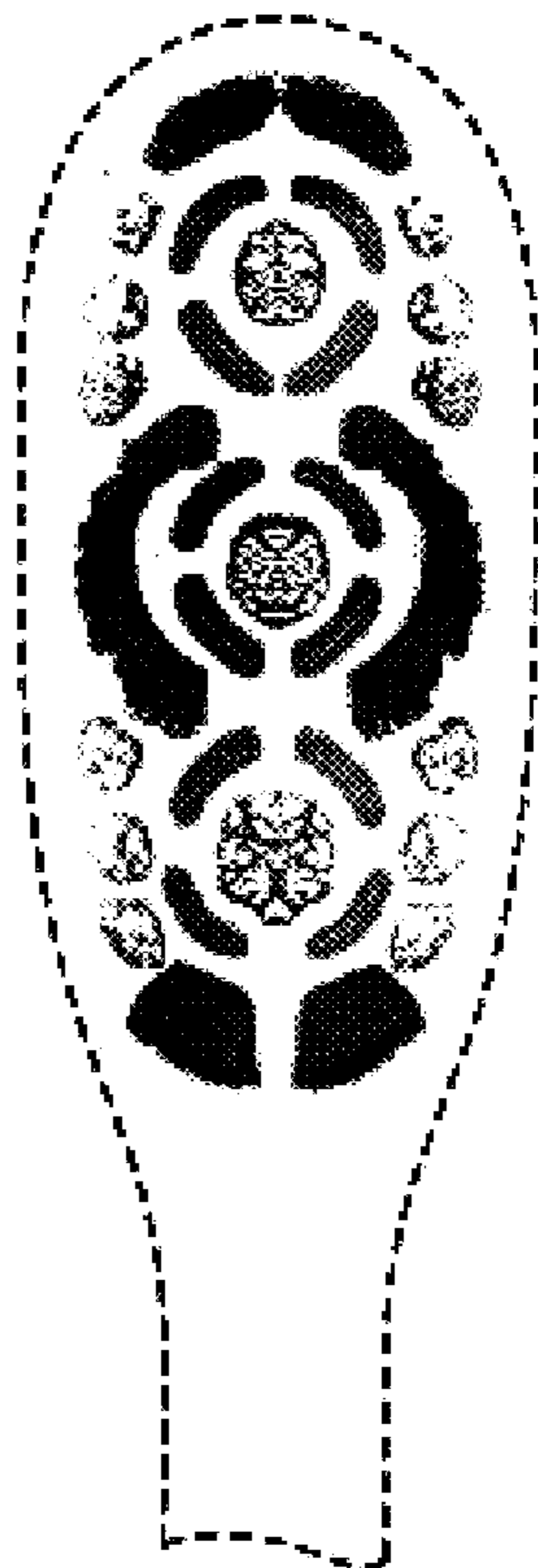


FIG. 6

UNITED STATES PATENT AND TRADEMARK OFFICE
CERTIFICATE OF CORRECTION

PATENT NO. : Des. 520,753 S
DATED : May 16, 2006
INVENTOR(S) : Douglas J. Hohlbein

Page 1 of 4

It is certified that error appears in the above-identified patent and that said Letters Patent is hereby corrected as shown below:

The Title page, showing an illustrative figure 1, should be deleted and substitute the attached title page.

Drawing sheets, consisting of Fig. 1 thru Fig. 3, should be deleted and replaced with the drawing sheets, consisting of Fig. 1 thru Fig. 3, as shown on the attached pages.

Signed and Sealed this

Thirteenth Day of June, 2006

A handwritten signature in black ink on a light gray dotted background. The signature reads "Jon W. Dudas" in a cursive style.

JON W. DUDAS

Director of the United States Patent and Trademark Office

(12) **United States Design Patent** (10) **Patent No.:** **US D520,753 S**
Hohlbein (45) **Date of Patent:** **** *May 16, 2006**

(54) **SET OF BRISTLES FOR A TOOTHBRUSH**
 (75) Inventor: **Douglas J. Hohlbein**, Pennington, NJ (US)
 (73) Assignee: **Colgate-Palmolive Company**, New York, NY (US)
 (*) Notice: This patent is subject to a terminal disclaimer.
 (**) Term: **14 Years**
 (21) Appl. No.: **29/211,030**
 (22) Filed: **Aug. 11, 2004**

D434,906 S * 12/2000 Beals et al. D4/104
 D440,767 S 4/2001 Moskovich et al.
 6,311,358 B1 11/2001 Soetewey et al.
 D451,286 S * 12/2001 Hohlbein D4/104
 6,374,448 B1 4/2002 Seifert
 D456,607 S 5/2002 Carlucci et al.
 6,446,295 B1 9/2002 Calabrese
 D479,046 S 9/2003 Winkler
 D483,183 S 12/2003 De Salvo
 6,654,979 B1 12/2003 Calabrese
 6,735,804 B1 5/2004 Carlucci et al.
 2001/0023516 A1 9/2001 Driesen et al.
 2002/0004964 A1 1/2002 Luchino et al.
 2002/0108194 A1 8/2002 Carlucci et al.
 2002/0138926 A1 10/2002 Brown, Jr. et al.

Related U.S. Application Data

(63) Continuation of application No. 29/189,729, filed on Sep. 10, 2003.
 (51) **LOC (8) Cl.** 04-02
 (52) **U.S. Cl.** **D4/104**
 (58) **Field of Classification Search** D4/104-112, D4/132, 134, 138; D24/146, 147; 15/105, 15/110, 111, 143.1, 167.1, 167.2, 207.2, DIG. 5, 15/6; 16/430, 431; 132/308, 309, 311; 601/139, 601/141; 606/160, 161, 235
 See application file for complete search history.

FOREIGN PATENT DOCUMENTS

JP 2000000118 A * 1/2000
 JP 2002191436 A * 7/2002
 WO WO 2004/026162 A2 4/2004
 WO WO 2004/028235 A2 4/2004

* cited by examiner

Primary Examiner—Alan P. Douglas
Assistant Examiner—Lavone D. Tabor
 (74) *Attorney, Agent, or Firm*—Harris A. Wolin

(57) **CLAIM**

The ornamental design for a set of bristles of a toothbrush, as shown and described.

DESCRIPTION

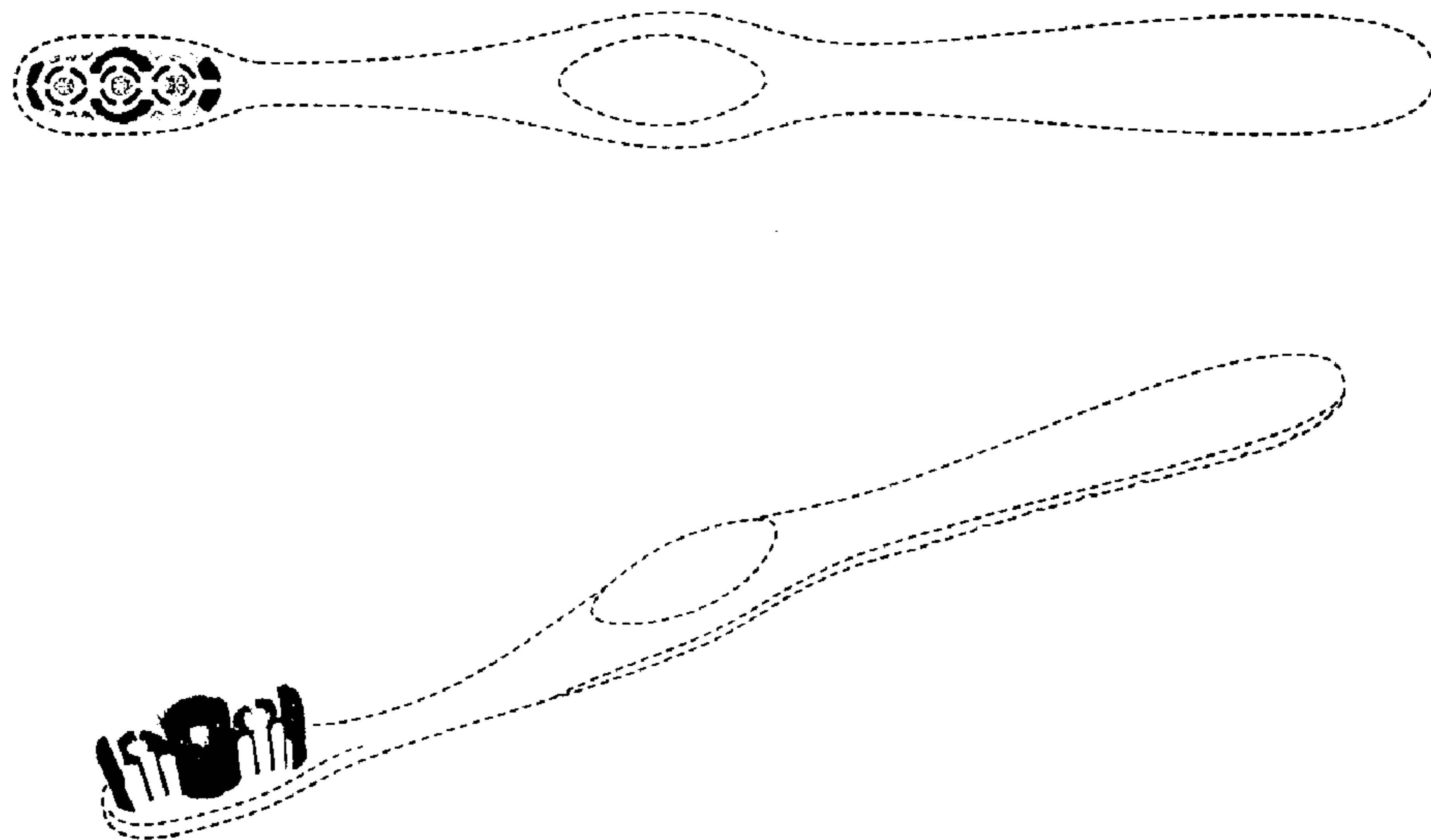
FIG. 1 is a perspective front view of a set of bristles for a toothbrush showing my new design;
 FIG. 2 is a right side view thereof;
 FIG. 3 is a left side view thereof;
 FIG. 4 is a top view thereof; and
 FIG. 5 is an enlarged perspective view thereof; and,
 FIG. 6 is an enlarged top view thereof.
 The broken line showing of the remainder of the toothbrush for illustrative purposes only and forms no part of the claimed design.

1 Claim, 4 Drawing Sheets

(56) **References Cited**

U.S. PATENT DOCUMENTS

1,132,326 A * 3/1915 Fouyer 15/167.1
 1,588,785 A 6/1926 Van Sant
 2,161,349 A 6/1939 Hadden
 2,186,005 A 1/1940 Casto
 2,262,982 A * 11/1941 Wolcott 15/167.1
 D272,683 S 2/1984 Stocchi
 D273,635 S 5/1984 Stocchi
 5,120,225 A 6/1992 Amit
 5,396,678 A 3/1995 Bredall et al.
 D360,981 S * 8/1995 Moskovich et al. D4/104
 D378,166 S 2/1997 Savitt et al.
 5,628,082 A 5/1997 Moskovich



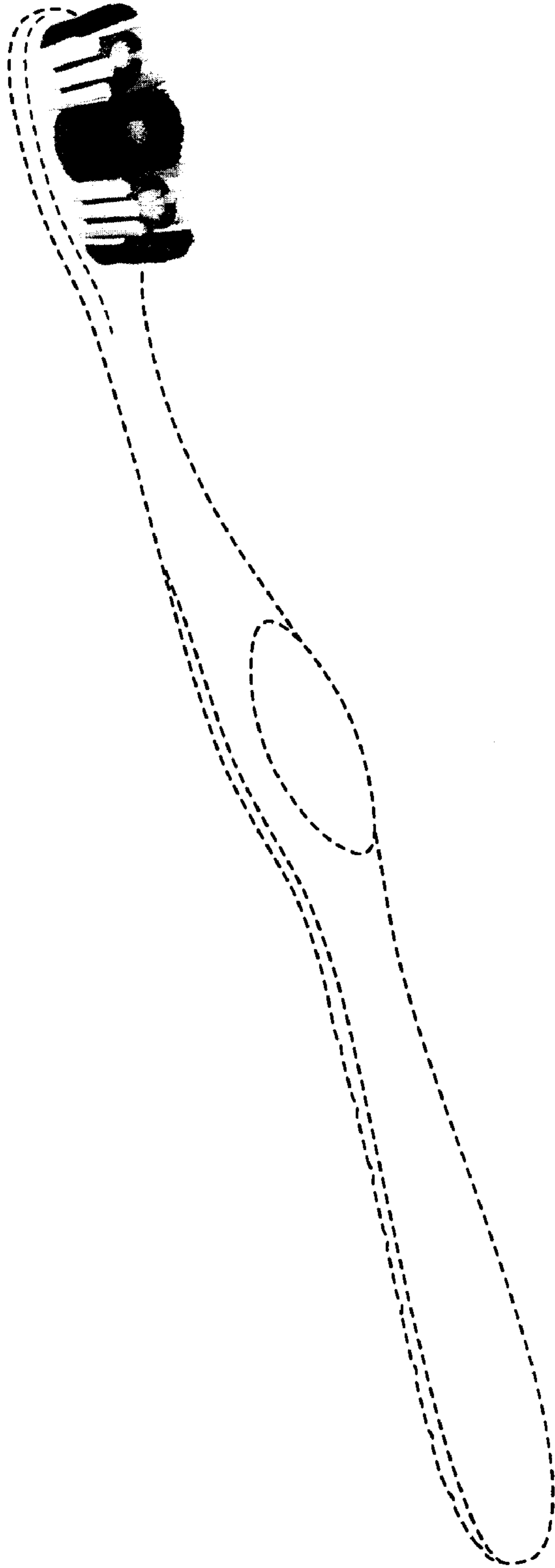


FIG. 1

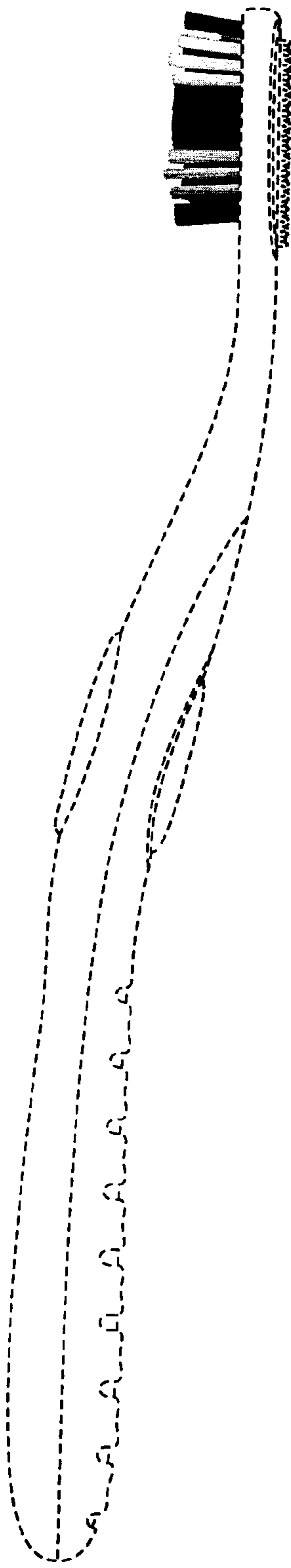


FIG. 2

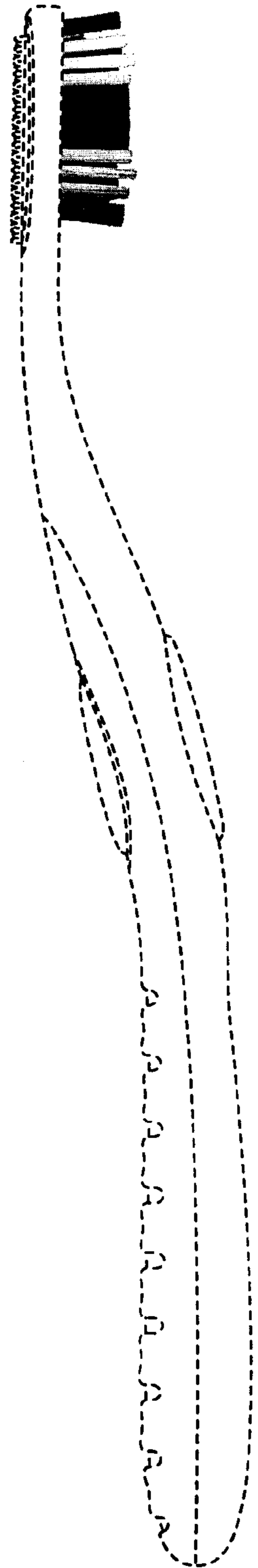


FIG. 3