



US00D520751S

(12) **United States Design Patent**
Chang

(10) **Patent No.:** **US D520,751 S**
(45) **Date of Patent:** **** May 16, 2006**

(54) **GOLF BAG TOP WITH SPIRAL CONFIGURATION**
(76) Inventor: **I-Teh Chang**, Room 1004, 10/F., New Kowloon Plaza, 38 Tal Kok Tsui Road (CN)
(**) Term: **14 Years**

5,390,788 A 2/1995 Schenkan
5,474,176 A 12/1995 Schenkan
5,620,091 A 4/1997 Larson
5,624,028 A 4/1997 Shin et al.
D382,406 S * 8/1997 Kim D3/320
D382,707 S * 8/1997 Wang D3/255
D389,311 S * 1/1998 Wang D3/320
D390,361 S * 2/1998 Wu D3/320
D391,082 S * 2/1998 Kim D3/320
5,816,397 A 10/1998 Pratt
5,860,520 A 1/1999 Tang

(21) Appl. No.: **29/221,930**

(22) Filed: **Jan. 25, 2005**

(Continued)

(51) **LOC (8) Cl.** **03-99**
(52) **U.S. Cl.** **D3/320**
(58) **Field of Classification Search** D3/320,
D3/254, 255, 259, 382.1, 905; D34/15; 211/70.2;
248/95, 96; 206/315.2, 315.3, 315.4, 315.5,
206/315.6, 315.7, 315.8
See application file for complete search history.

OTHER PUBLICATIONS

U.S. Appl. No. 29/213,663, filed Sep. 22, 2004, Chang.
U.S. Appl. No. 11/125,038, filed May 9, 2005, Chang.

Primary Examiner—Sandra S. Snapp
(74) *Attorney, Agent, or Firm*—Speed Law Firm; Gary N. Speed; Kyla D. Cummings

(56) **References Cited**

(57) **CLAIM**

U.S. PATENT DOCUMENTS

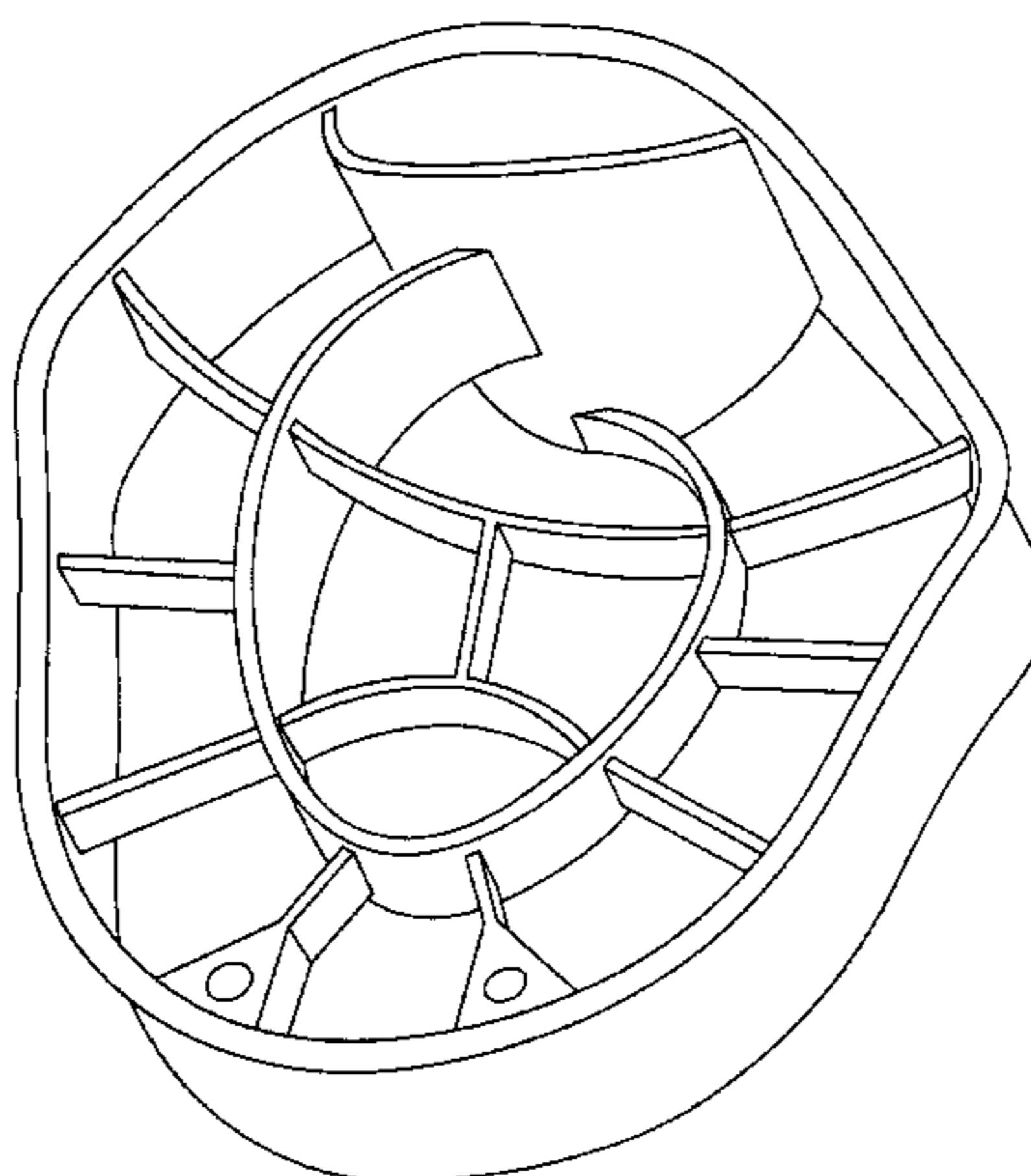
The ornamental design for a golf bag top with spiral configuration, as shown and described.

- 646,869 A 4/1900 Perkes
- 699,391 A 5/1902 Johnson
- 1,404,559 A 1/1922 Watrous
- 1,681,225 A 8/1928 Earl
- 1,727,578 A 9/1929 Wengard
- 1,790,092 A 1/1931 Duguid et al.
- 1,936,021 A 11/1933 Hutchinson
- 2,186,491 A 1/1940 Meyer
- 2,739,631 A 3/1956 Hamley
- 2,853,111 A 9/1958 Williams
- 2,970,629 A 2/1961 Masten
- 4,685,561 A 8/1987 Reimers
- RE33,203 E 4/1990 Reimers
- 5,038,984 A 8/1991 Izzo
- 5,042,703 A 8/1991 Izzo
- 5,042,704 A 8/1991 Izzo
- 5,099,990 A 3/1992 Antonious
- 5,103,974 A 4/1992 Antonious
- 5,135,107 A 8/1992 Ingraham
- 5,221,030 A 6/1993 Cretinon
- D339,226 S 9/1993 Quellais et al.
- 5,314,079 A 5/1994 Young
- 5,383,555 A 1/1995 Weinmeier

DESCRIPTION

FIG. 1 is a perspective view of the golf bag top.
FIG. 2 is a front view of the golf bag top.
FIG. 3 is a first side view of the golf bag top.
FIG. 4 is a second side view of the golf bag top.
FIG. 5 is a top view of the golf bag top.
FIG. 6 is a rear view of the golf bag top.
FIG. 7 is an opposite direction perspective view of the golf bag top.
FIG. 8 is an opposite direction front view of the golf bag top.
FIG. 9 is an opposite direction first side view of the golf bag top.
FIG. 10 is an opposite direction second side view of the golf bag top; and,
FIG. 11 is an opposite direction rear view of the golf bag top.
My golf bag is characterized by the spiral configuration of the club dividers and a raised pit in the rear end.

1 Claim, 11 Drawing Sheets



US D520,751 S

Page 2

U.S. PATENT DOCUMENTS							
D407,900	S	*	4/1999 Baird	D3/320	6,702,111	B1	3/2004 Ueno
D408,147	S		4/1999 Wang		6,761,368	B1	7/2004 Carter
D411,665	S		6/1999 Wang		D495,492	S	* 9/2004 Chang
D413,018	S		8/1999 Boldig et al.		D501,604	S	2/2005 Kadoya
6,006,974	A		12/1999 Varney et al.		6,877,604	B1	4/2005 Pratt et al.
D422,789	S	*	4/2000 Sundara et al.	D3/320	2002/0130476	A1	9/2002 Carter
D431,111	S		9/2000 Ryan		2002/0170839	A1	11/2002 Chang
6,138,825	A		10/2000 Summerlin		2003/0089629	A1	* 5/2003 Tan
6,199,690	B1		3/2001 Shin		2003/0116456	A1	6/2003 Ueno
D450,188	S		11/2001 Maeng		2003/0121942	A1	7/2003 Chang
6,341,690	B1		1/2002 Swiatosz		2003/0136691	A1	7/2003 Puskaric
6,450,334	B1		9/2002 Chang		2003/0184033	A1	10/2003 Carter
6,457,620	B1		10/2002 Batten et al.		2003/0192797	A1	10/2003 Man
6,510,944	B1		1/2003 Chang		2004/0016661	A1	1/2004 Puskaric
6,550,793	B1		4/2003 Carter		2004/0035729	A1	2/2004 Chang et al.
6,595,657	B1		7/2003 Shieh		2004/0074792	A1	4/2004 Pratt et al.
6,598,743	B1		7/2003 Puskaric		2004/0089569	A1	5/2004 Chang
D478,422	S	*	8/2003 Chen	D3/320			

* cited by examiner

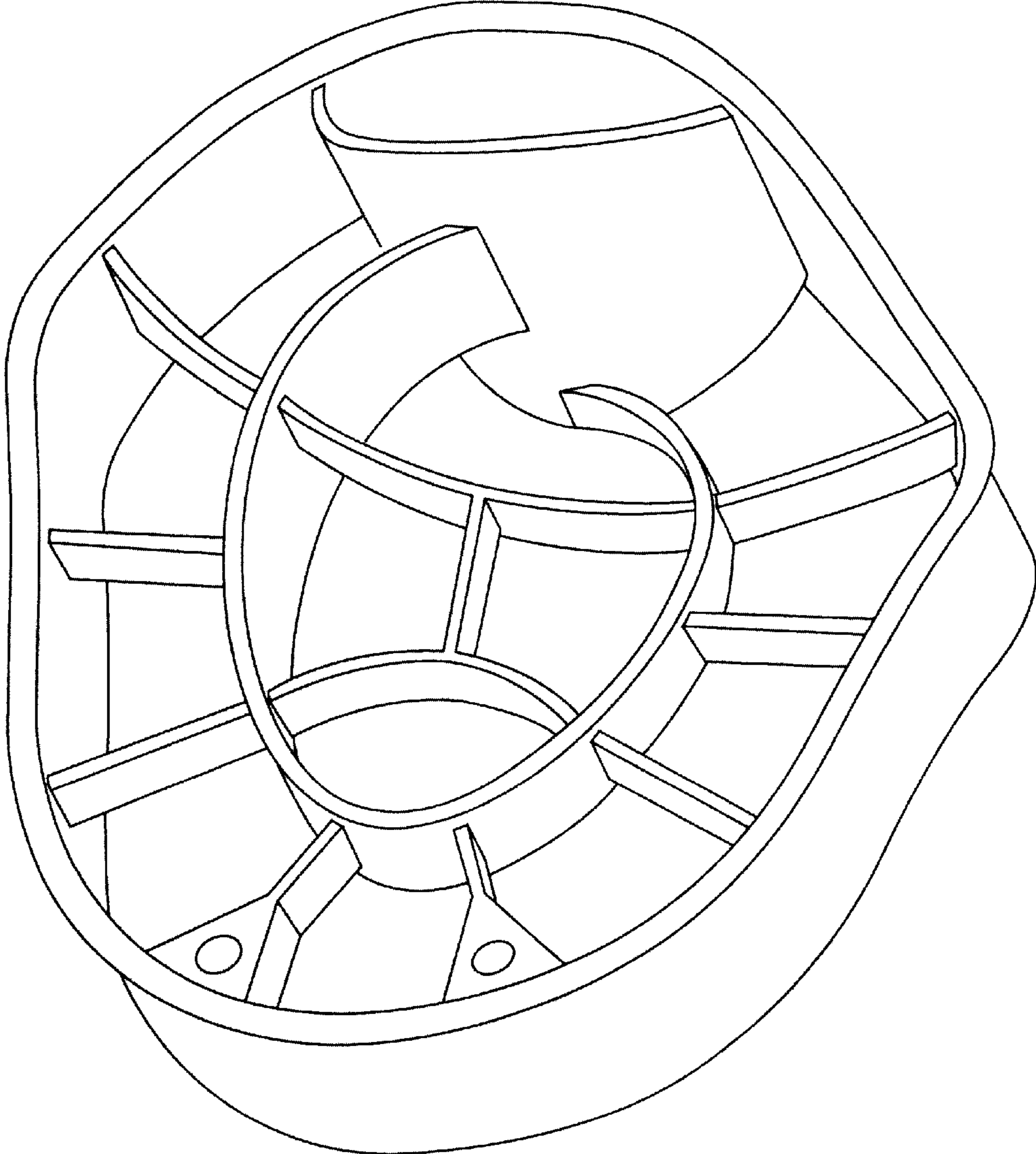


Fig.1

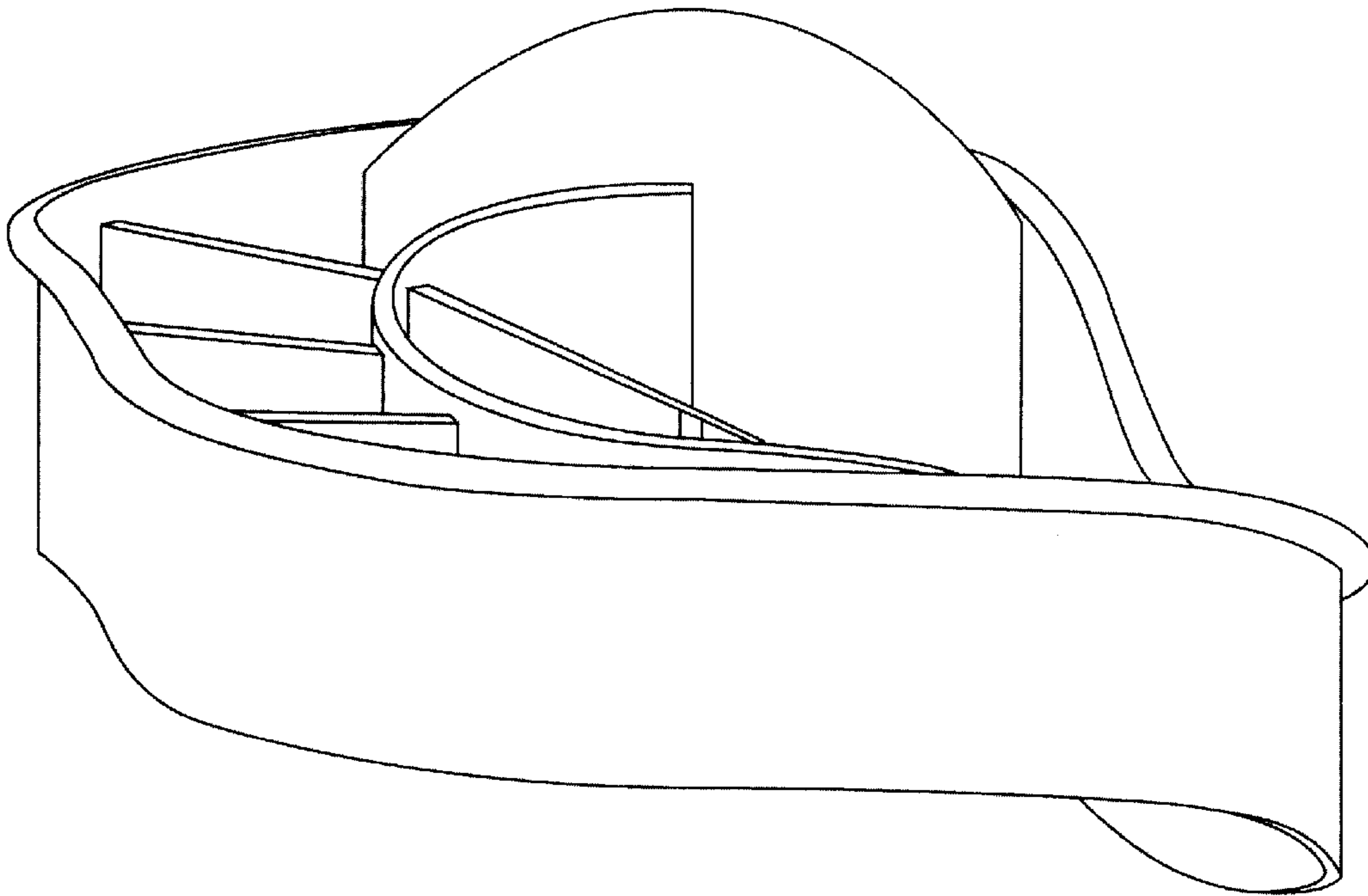


Fig.2

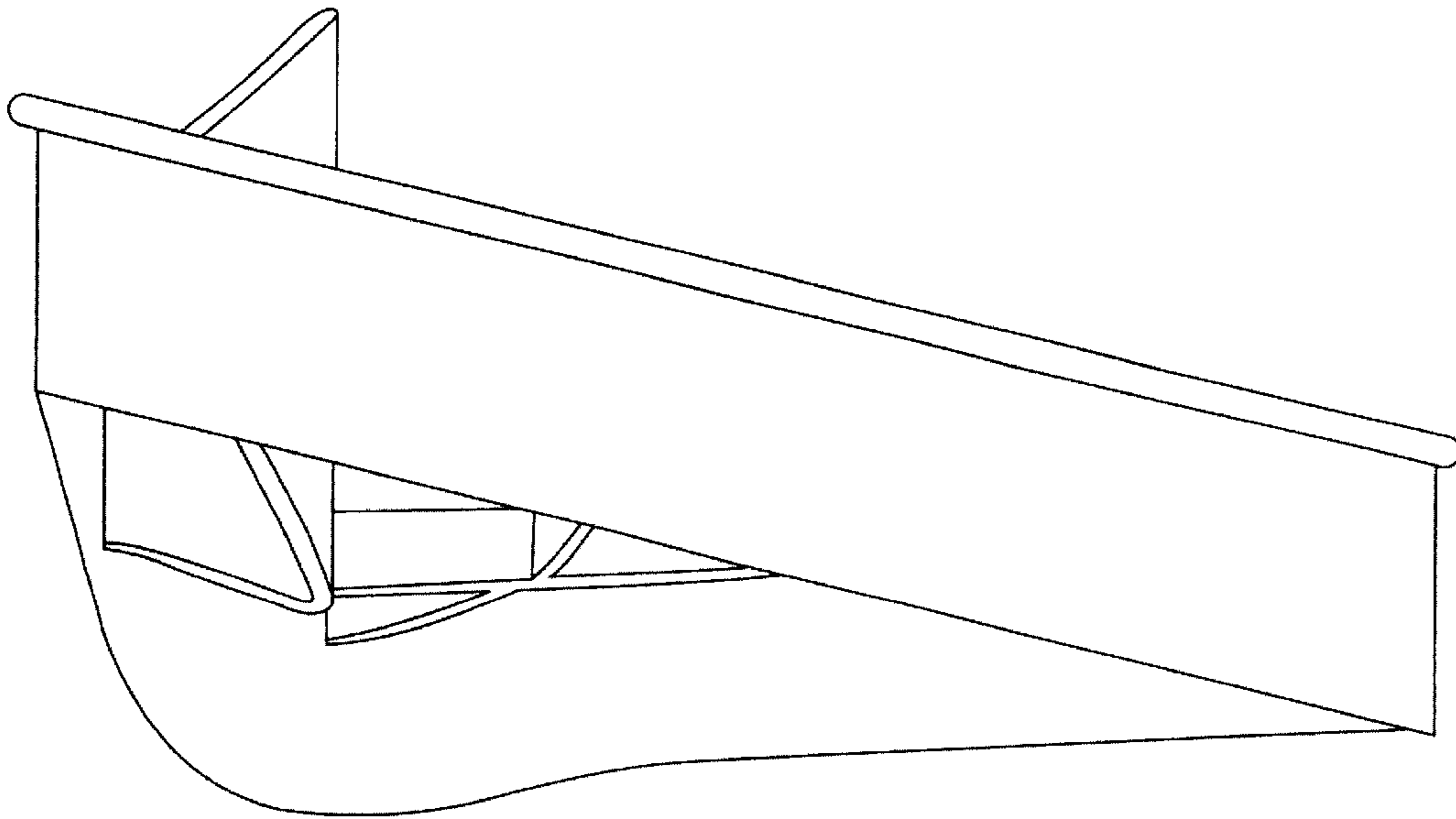


Fig.3

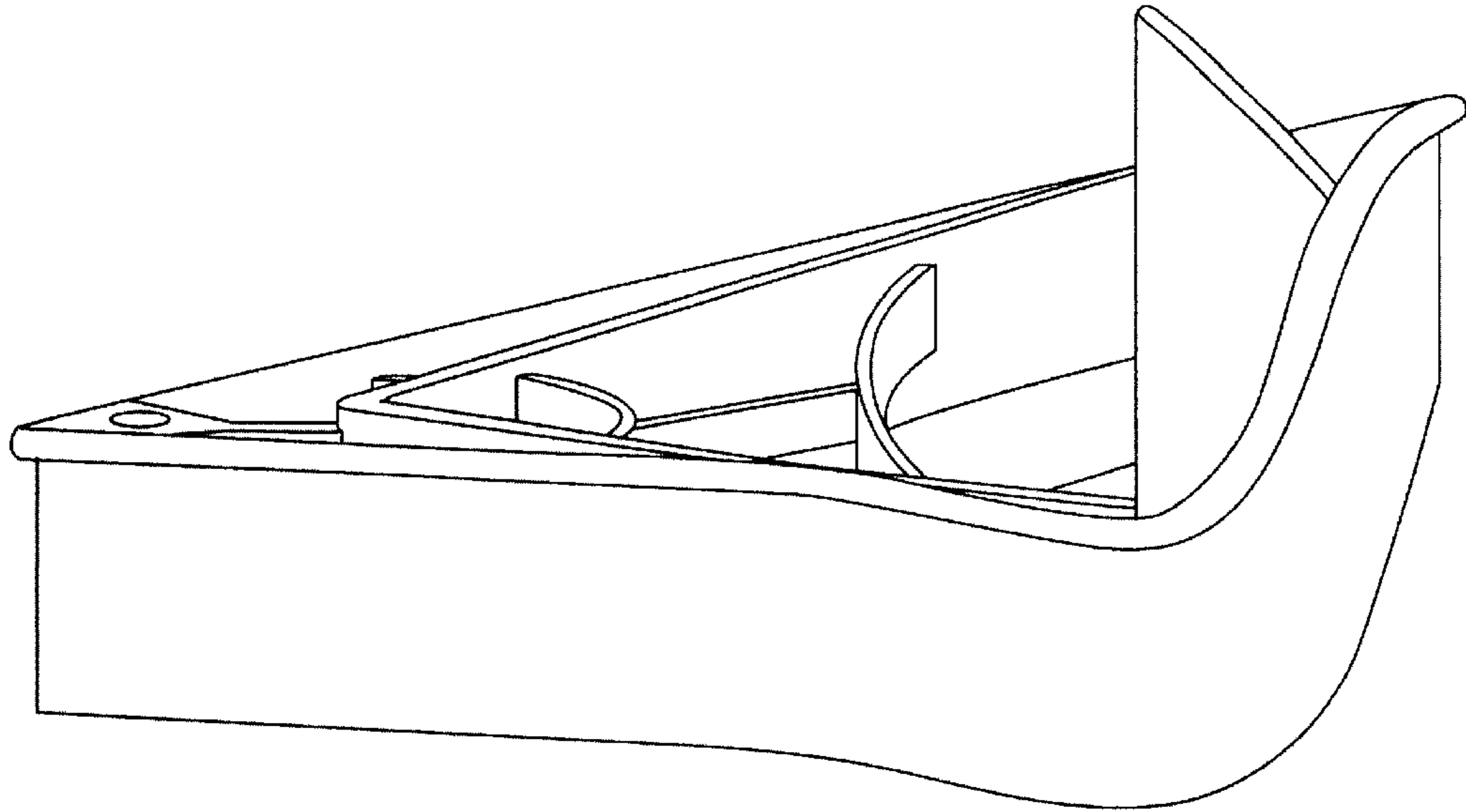


Fig.4

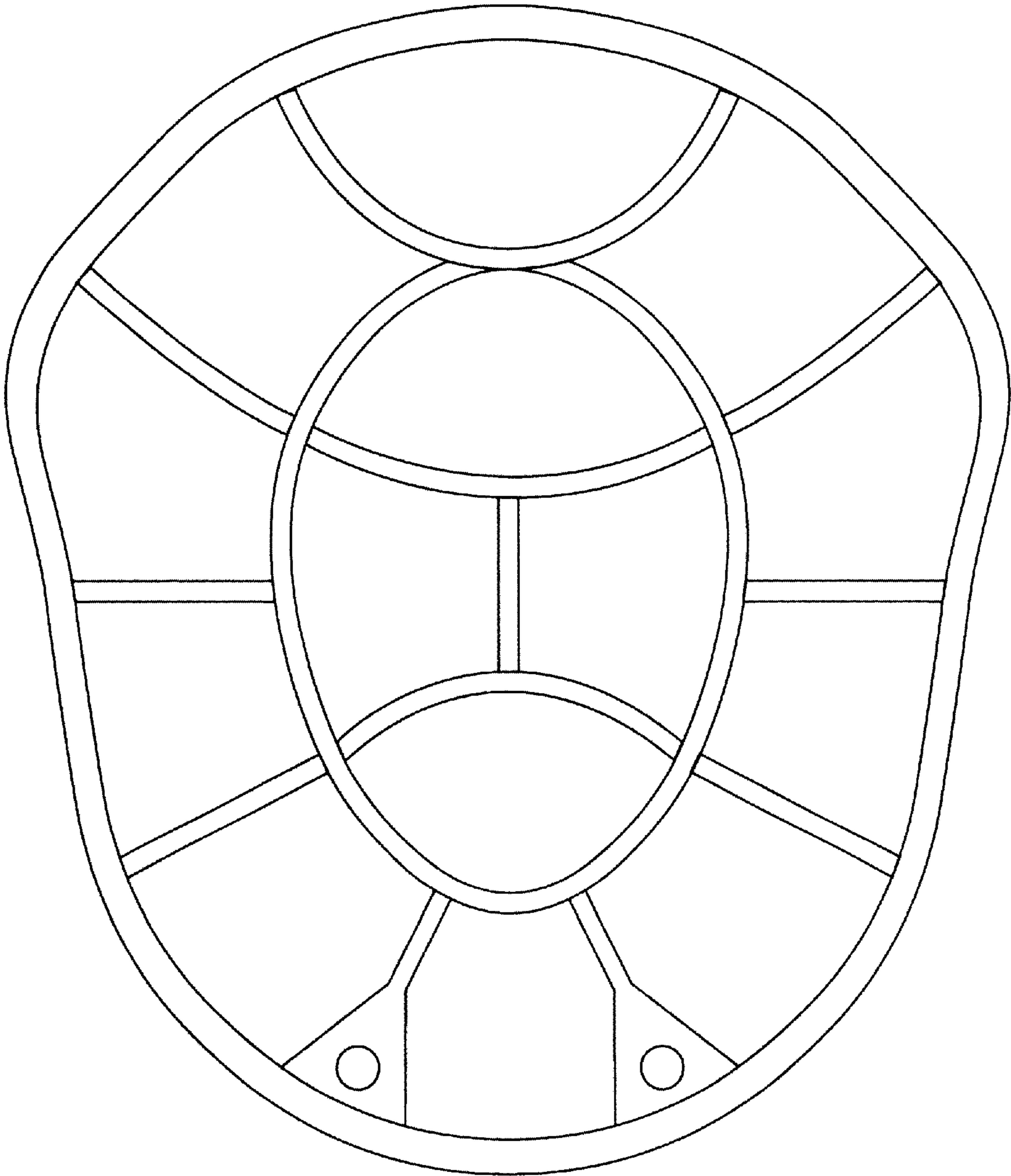


Fig.5

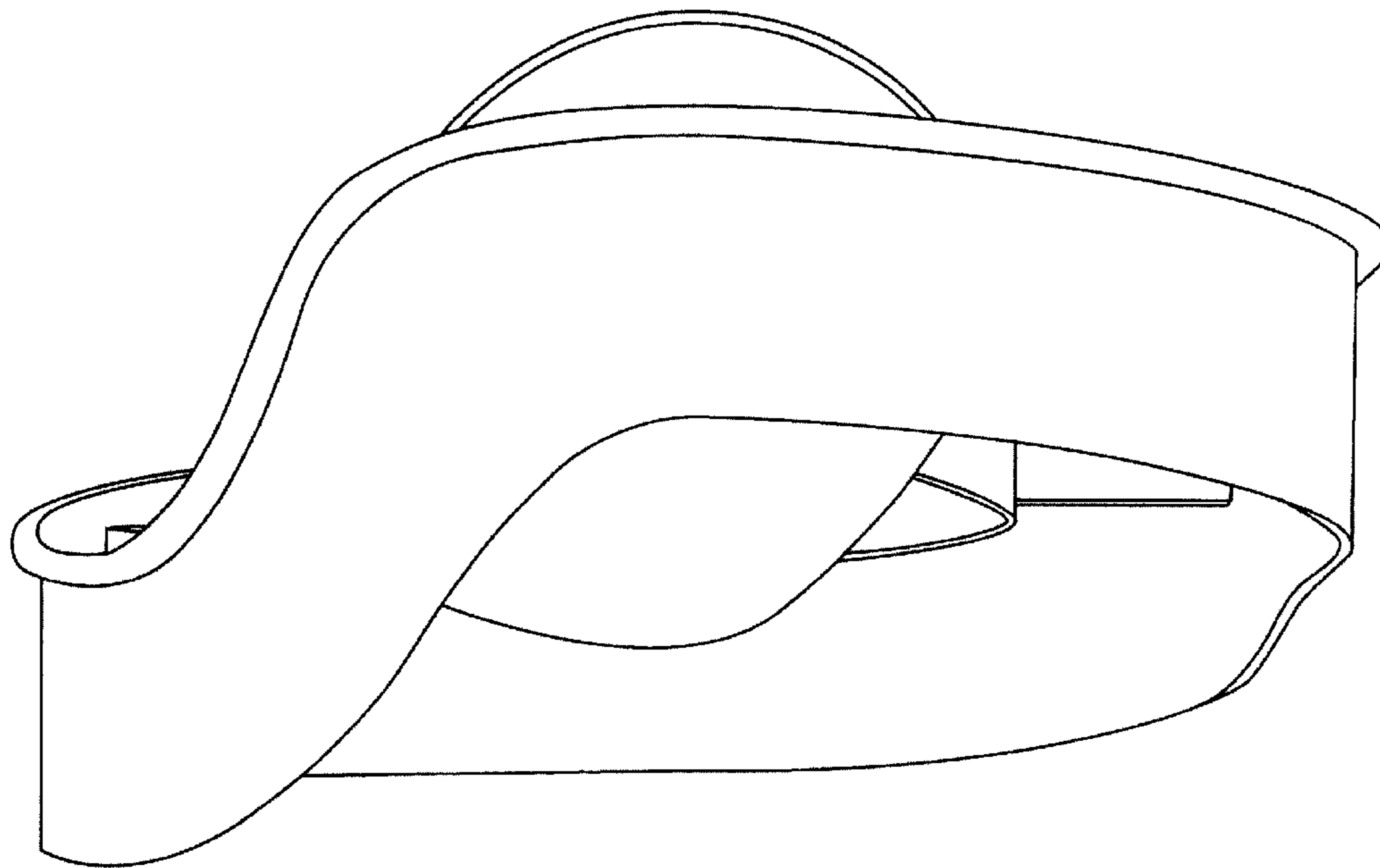


Fig.6

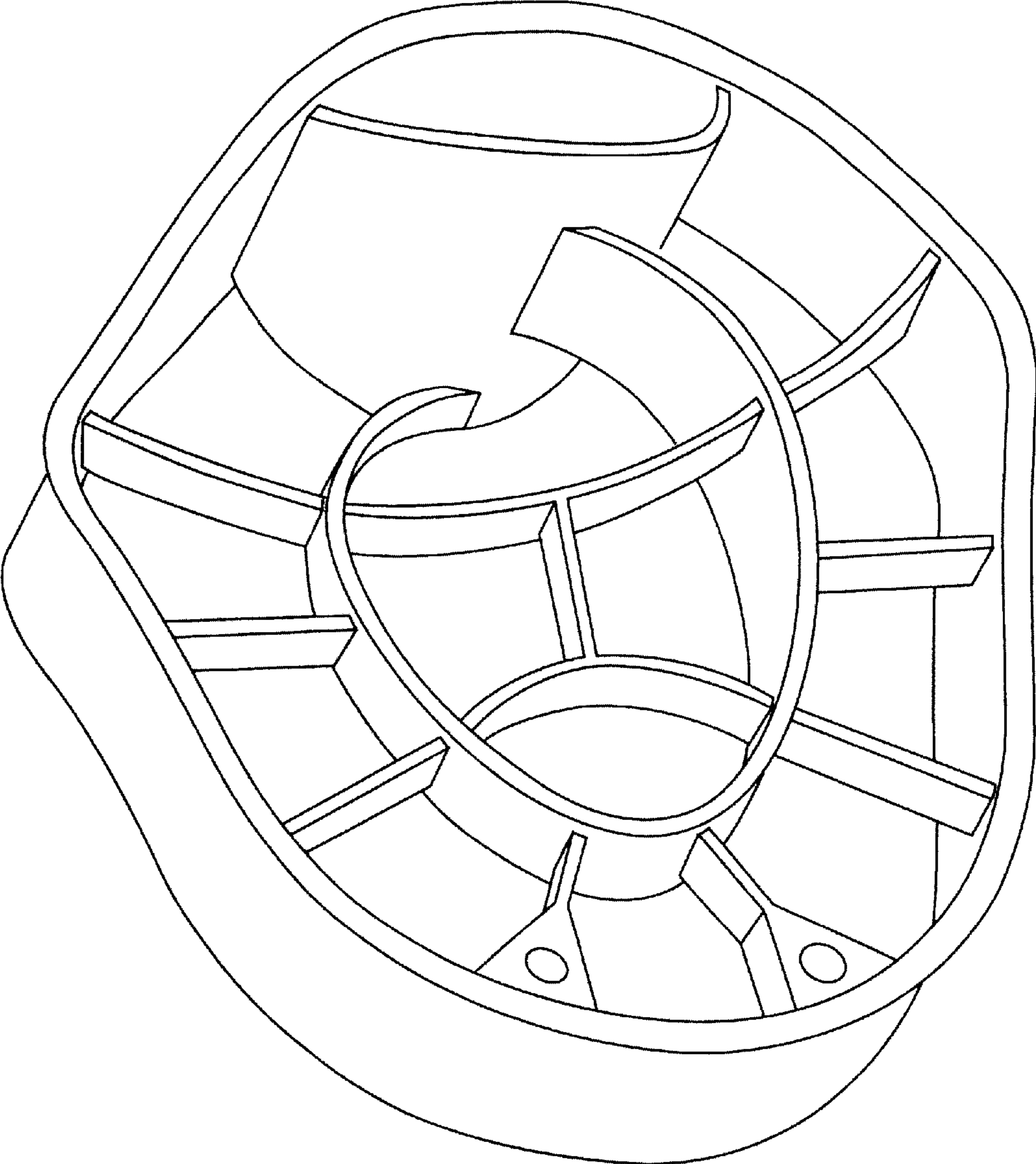


Fig.7

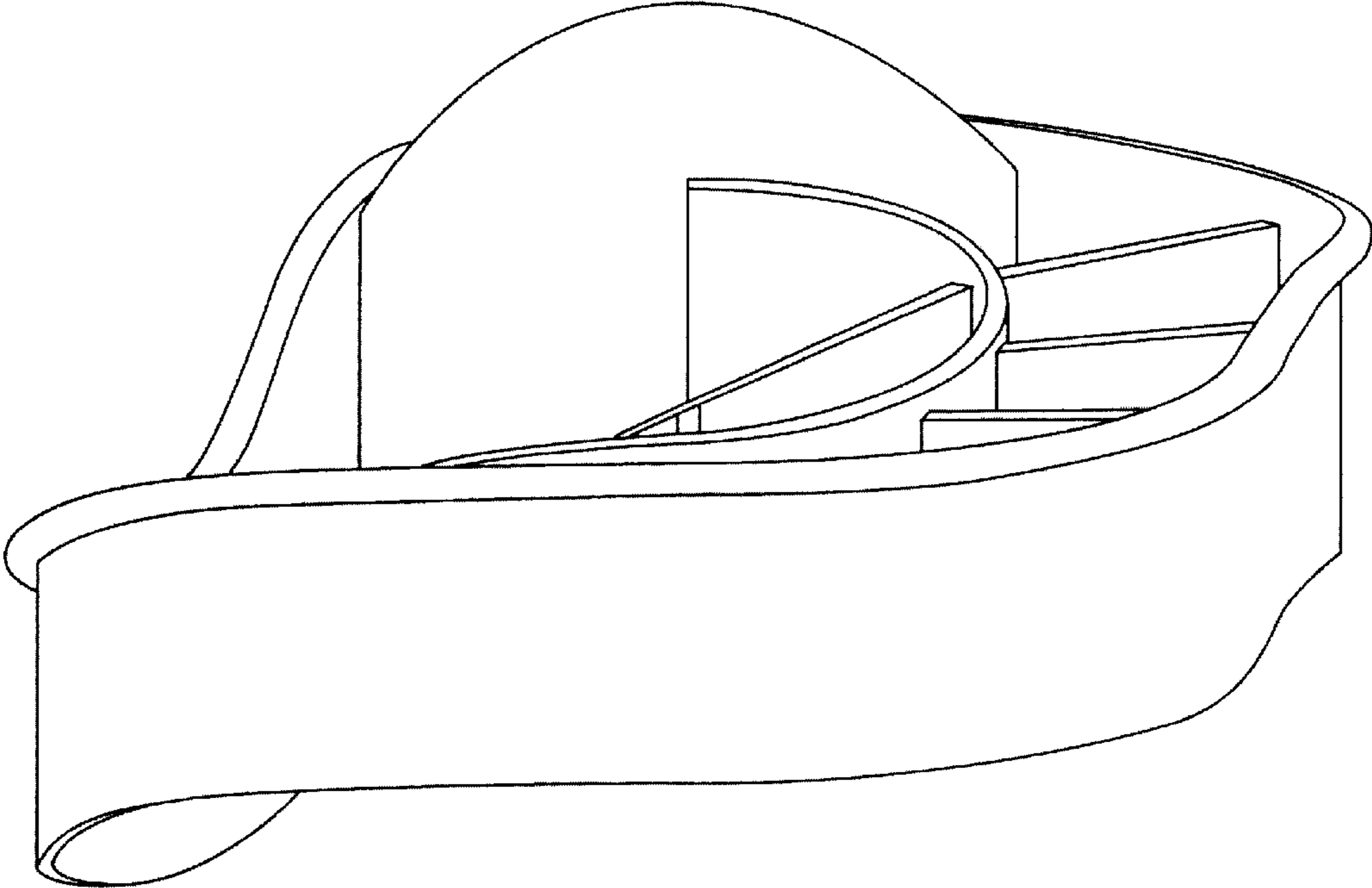


Fig.8

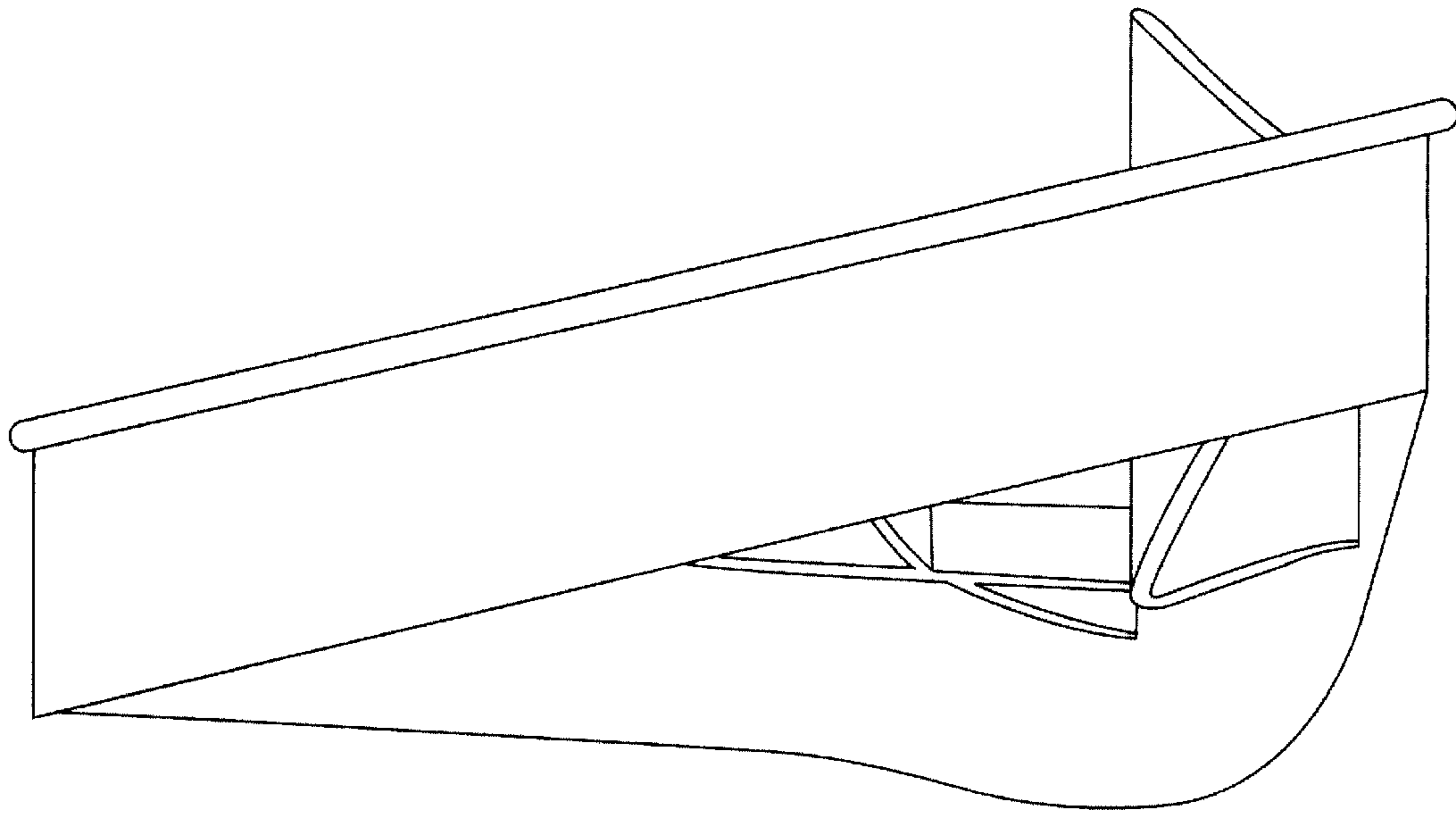


Fig.9

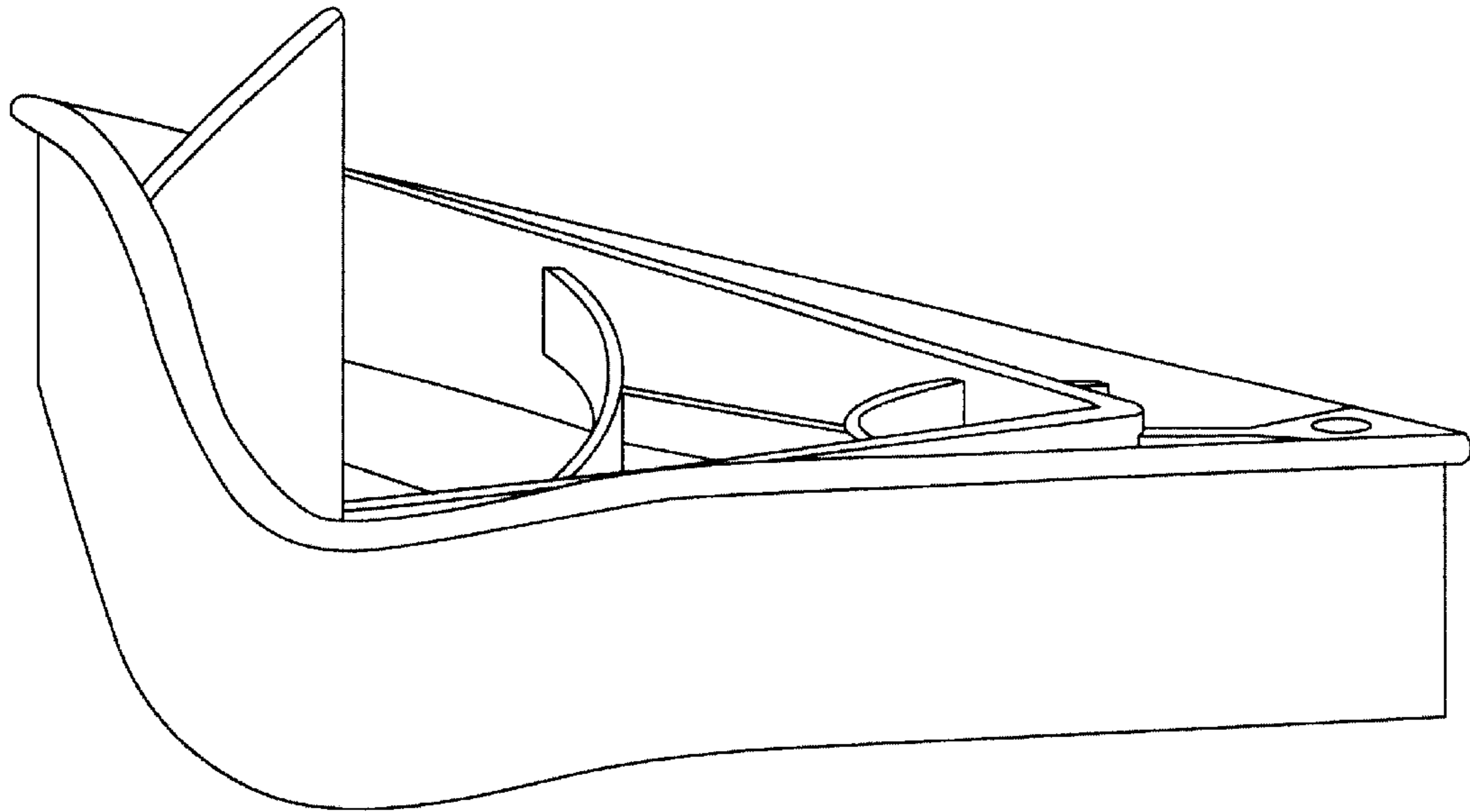


Fig.10

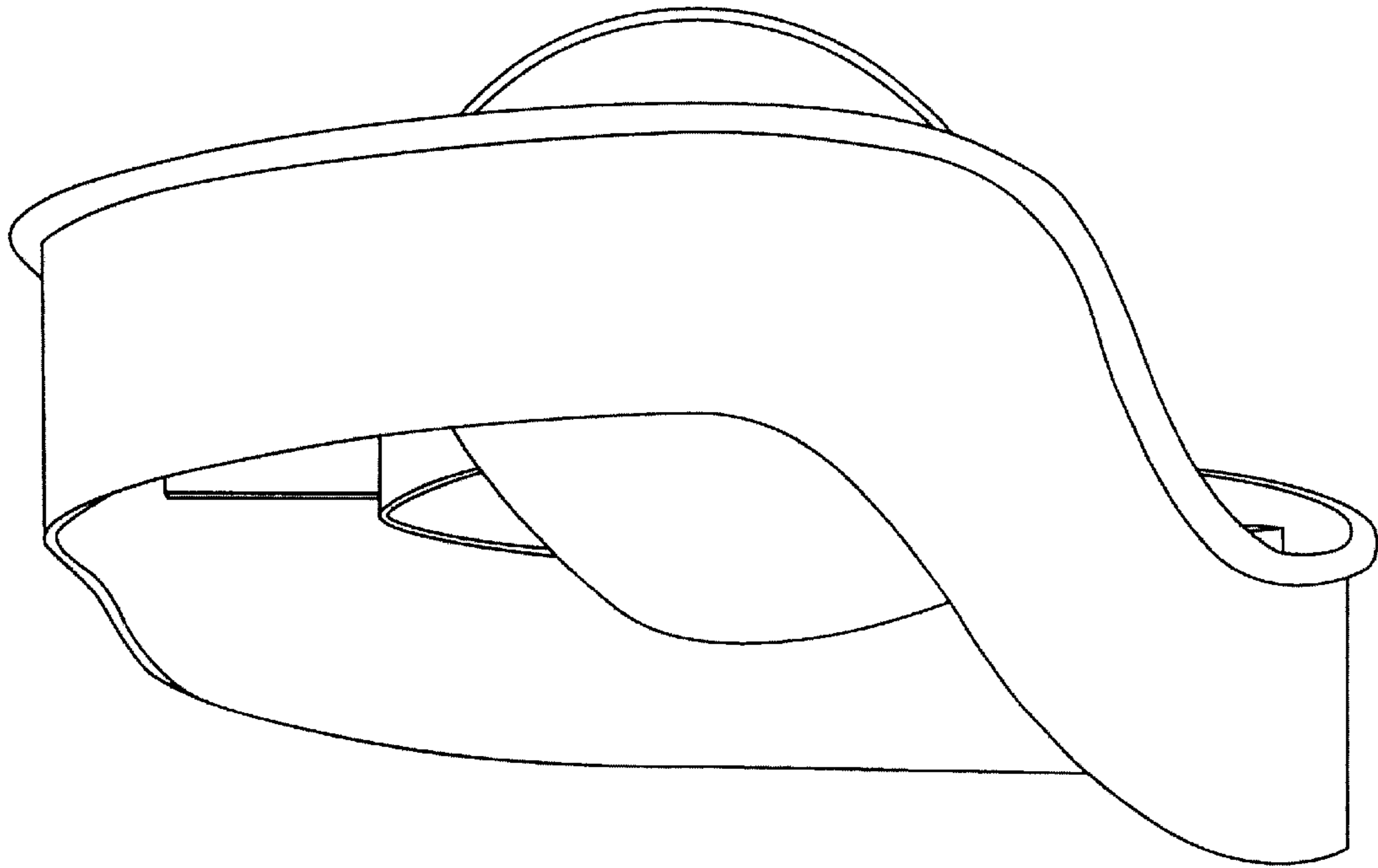


Fig.11