



US00D520747S

(12) **United States Design Patent** (10) **Patent No.:** **US D520,747 S**
McClain (45) **Date of Patent:** **** May 16, 2006**

(54) **ARTICLE CARRIER**

(75) Inventor: **Cheryl A. McClain**, Lexington, KY (US)

(73) Assignee: **Docholster, LLC**, Lexington, KY (US)

(**) Term: **14 Years**

(21) Appl. No.: **29/212,942**

(22) Filed: **Sep. 10, 2004**

(51) **LOC (8) Cl.** **03-01**

(52) **U.S. Cl.** **D3/303; D3/290**

(58) **Field of Classification Search** D3/283, D3/286, 290, 232, 233, 245, 246, 303, 249, D3/250, 253, 243, 247, 315, 201, 226, 230, D3/231; 150/100, 112, 118, 119, 130; 190/109, 190/111, 901, 902, 903; 319/324; 206/305, 206/576; 383/4, 25, 38, 40, 86
See application file for complete search history.

(56) **References Cited**

U.S. PATENT DOCUMENTS

D273,535	S	*	4/1984	Weinreb	D3/268
4,842,032	A	*	6/1989	Mastronardo	190/119
4,961,522	A	*	10/1990	Weber	D3/233
D324,977	S	*	3/1992	Rosson	D3/232
D330,178	S	*	10/1992	Trigger	D3/303
D341,026	S	*	11/1993	Barker	D3/287
D349,191	S	*	8/1994	Mason	D3/289
D377,415	S	*	1/1997	Jacobs et al.	D3/206
D380,087	S	*	6/1997	Roth	D3/243
D405,265	S	*	2/1999	Chapelson	D3/303
D405,267	S	*	2/1999	Cowan	D3/303
5,868,227	A	*	2/1999	Garcia	150/112
D409,376	S	*	5/1999	Golenz et al.	D3/217
D416,676	S	*	11/1999	Fitzgerald	D3/226
D419,763	S	*	2/2000	Wiebe	D3/233
6,026,961	A		2/2000	McCarthy et al.		
D425,699	S	*	5/2000	Lau	D3/226
6,102,266	A		8/2000	Chacon et al.		

6,126,011	A		10/2000	Ullmann et al.		
6,161,979	A		12/2000	Yamamoto et al.		
D435,962	S	*	1/2001	Kohlhase	D3/217
6,206,567	B1	*	3/2001	Cyr	190/903
6,264,029	B1		7/2001	Motson		
D459,876	S	*	7/2002	Smith	D3/226
6,533,150	B1		3/2003	Margo et al.		
2002/0084197	A1	*	7/2002	Carbonneau	383/40

OTHER PUBLICATIONS

Targus, Inc. Internet page from targus.com: "Targus PCA/ Handheld Cases" rev. Mar. 25, 1999; 2 pp.

Damiani, Don, "Official Gadgeteer Hands On Review: PDA Pocket" from The Gadgeteer Internet page: the-gadgeteer.com/pdapocket-review.html; copyright 1996-2002; 3 pp.

* cited by examiner

Primary Examiner—Louis S. Zarfes

Assistant Examiner—Melanie Levy

(74) *Attorney, Agent, or Firm*—King & Schickli, PLLC

(57) **CLAIM**

The ornamental design for an article carrier, as shown and described.

DESCRIPTION

FIG. 1 is a perspective view of an article carrier showing my new design;

FIG. 2 is a front elevational view thereof, showing the top flap closed;

FIG. 3 is a front elevational view thereof, showing the top flap open;

FIG. 4 is a left side elevational view thereof;

FIG. 5 is a right side elevational view thereof;

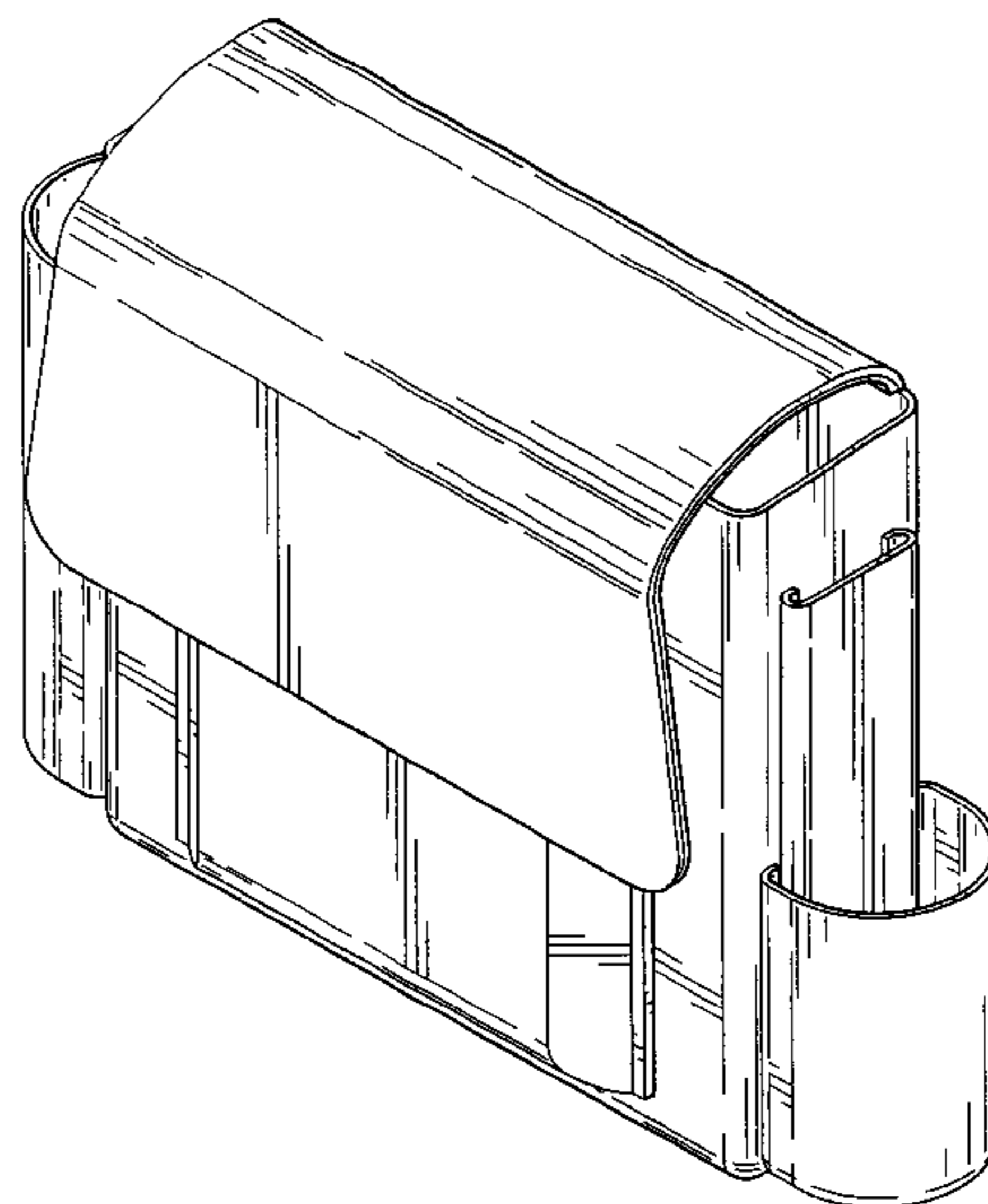
FIG. 6 is a top plan view thereof;

FIG. 7 is a bottom plan view thereof; and,

FIG. 8 is rear elevational view thereof.

The broken lines in the Figures are for illustrative purposes only and form no part of the claimed design.

1 Claim, 6 Drawing Sheets



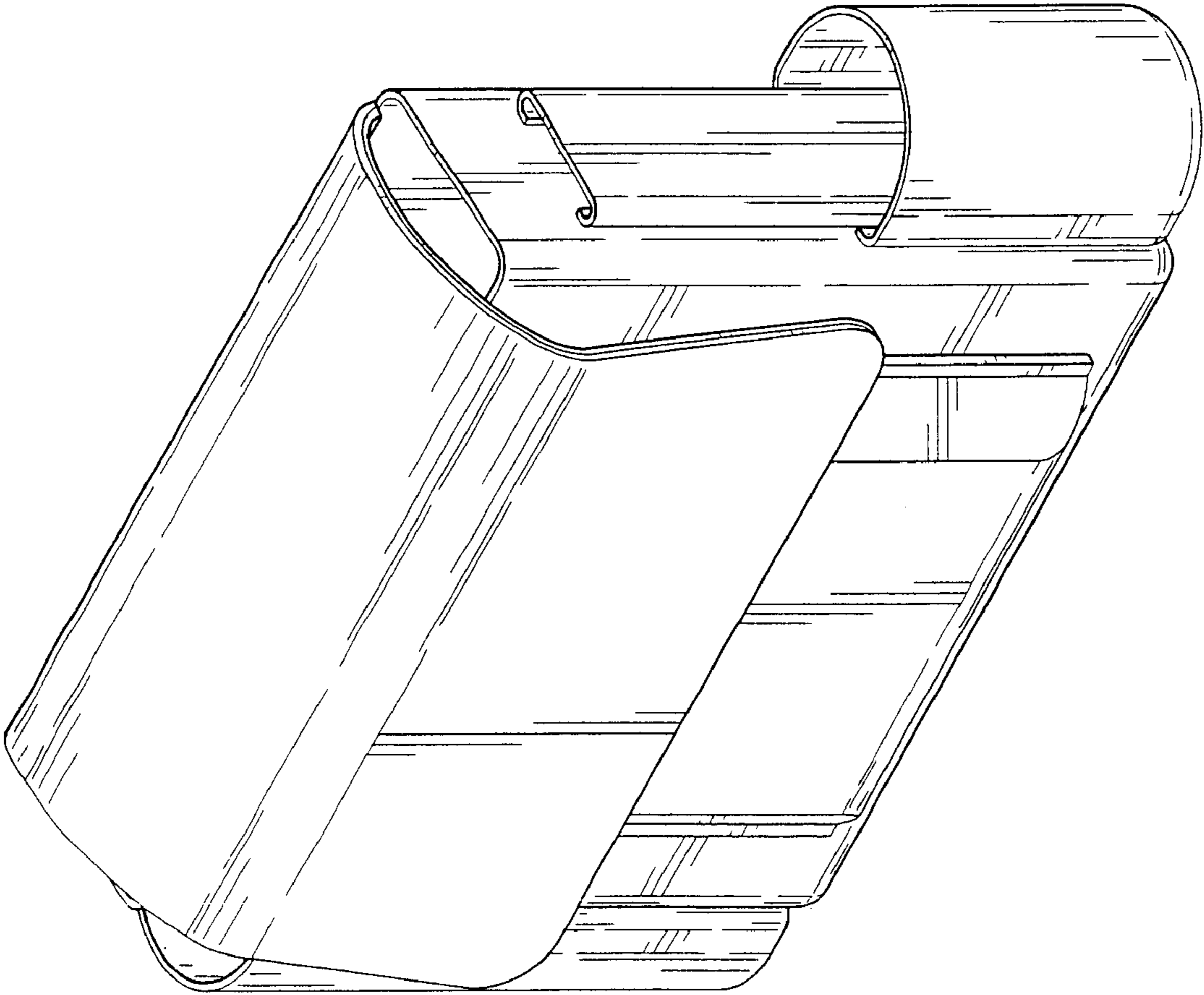


FIG. 1

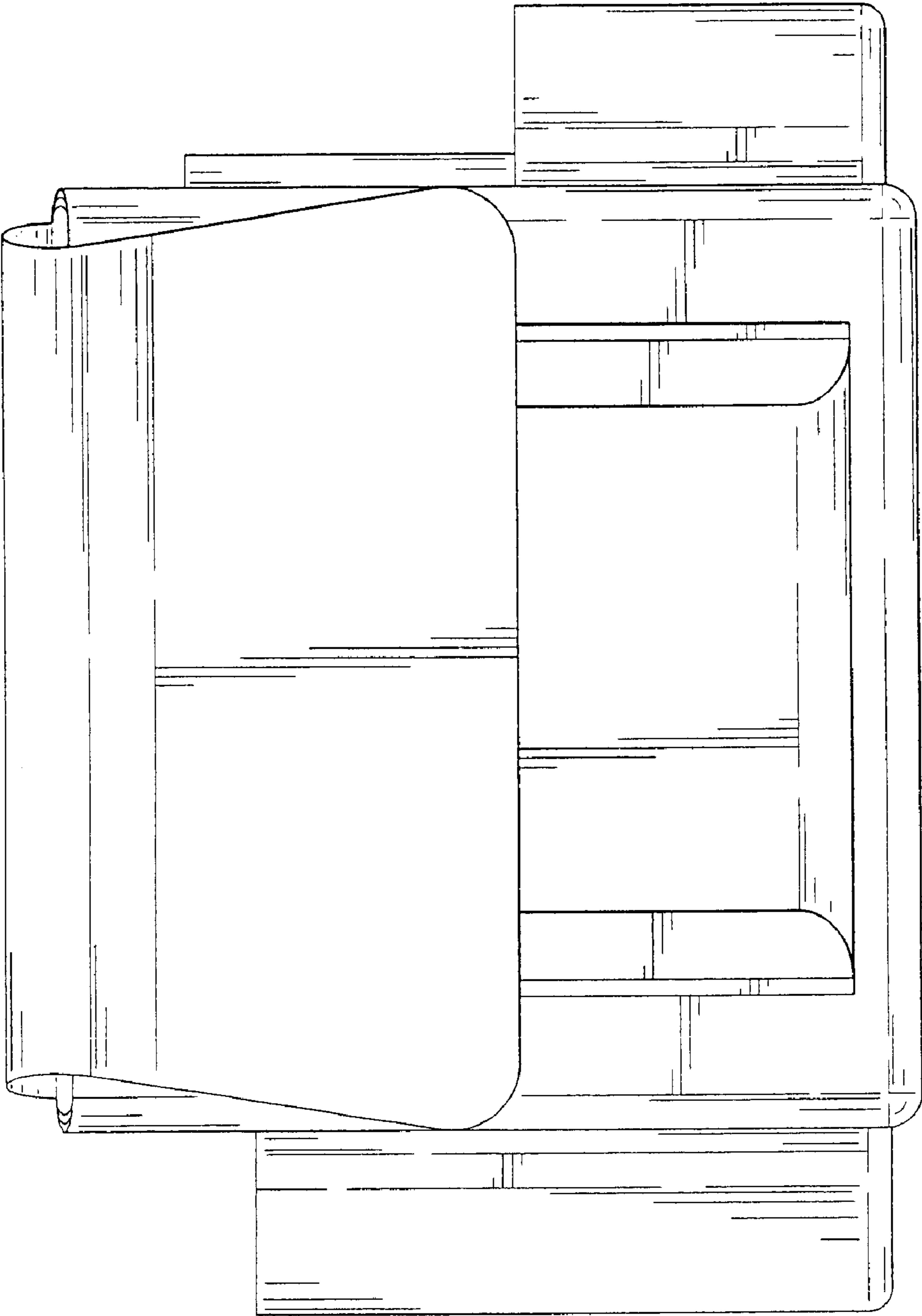


FIG. 2

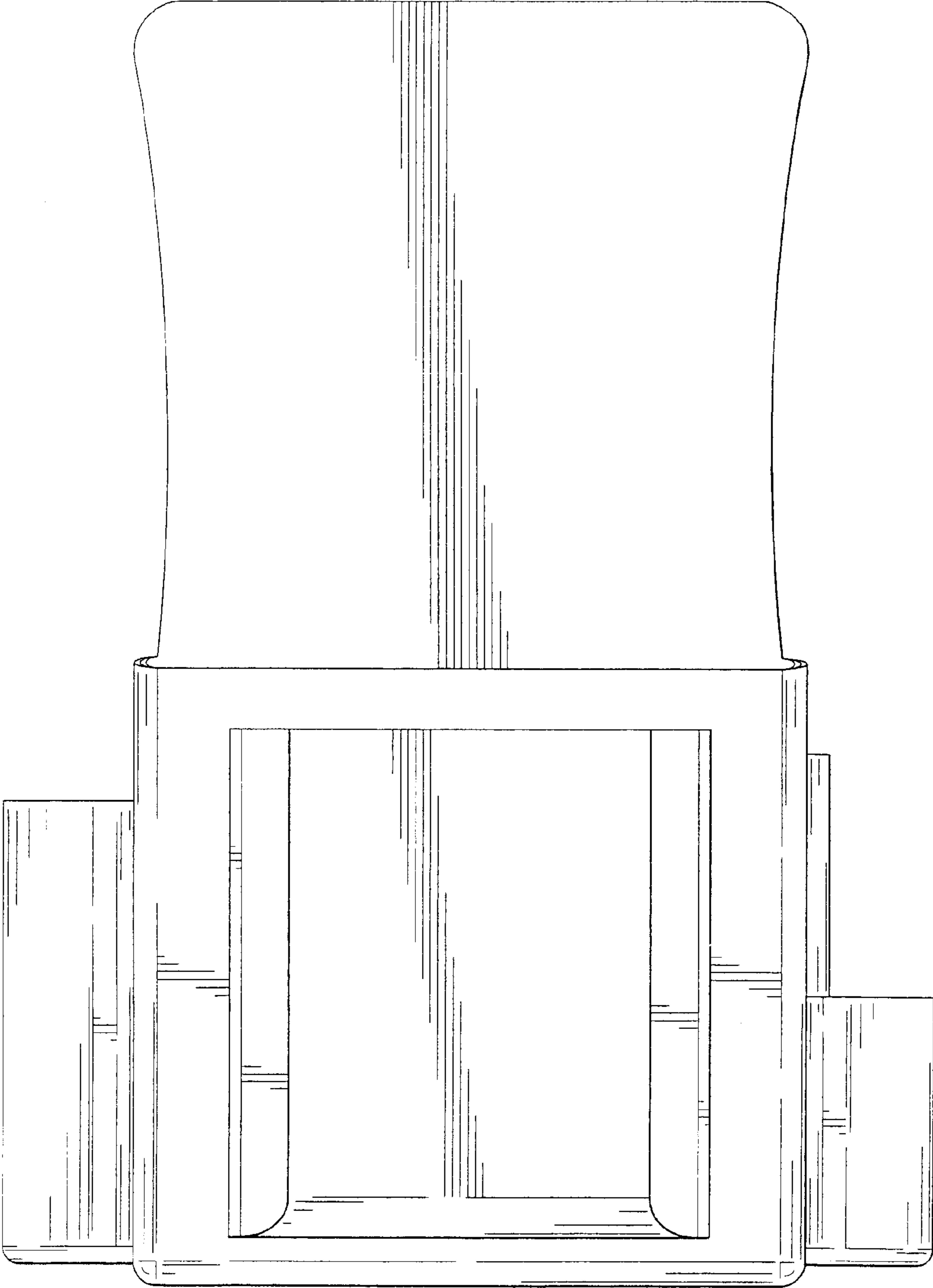


FIG. 3

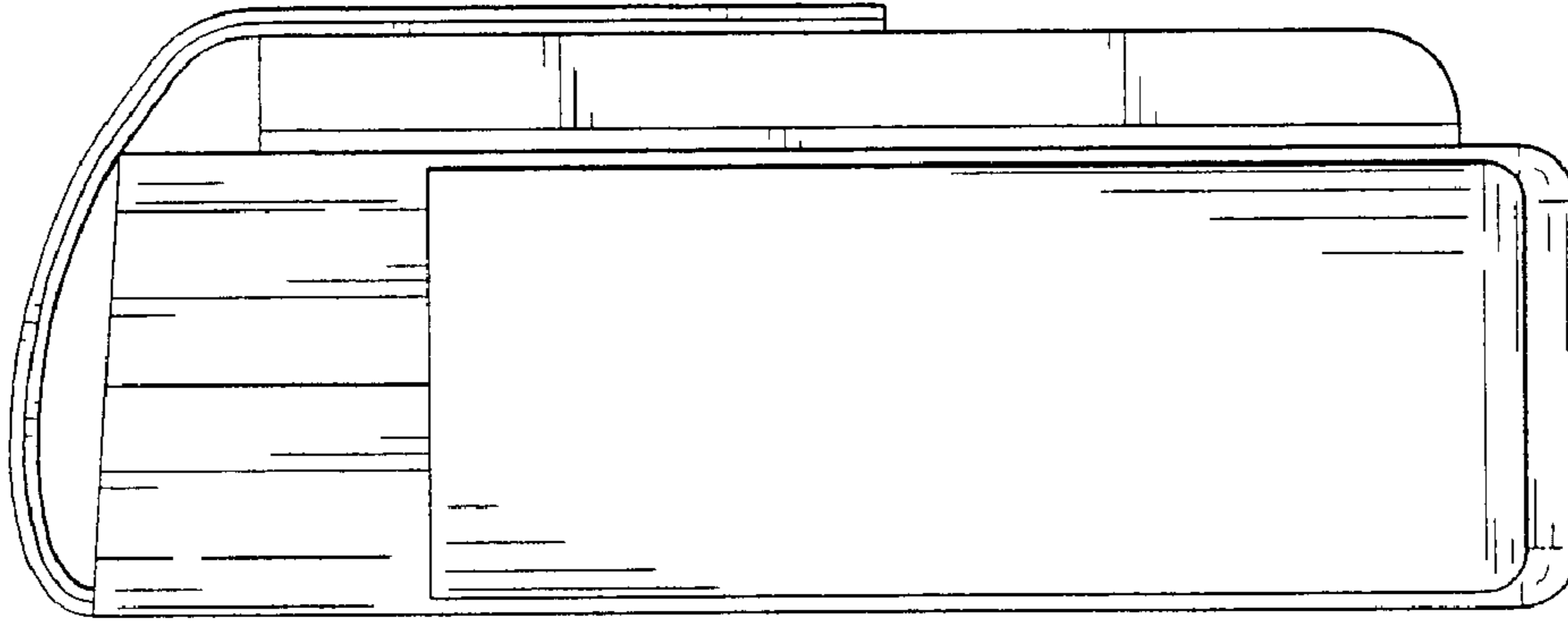


FIG. 5

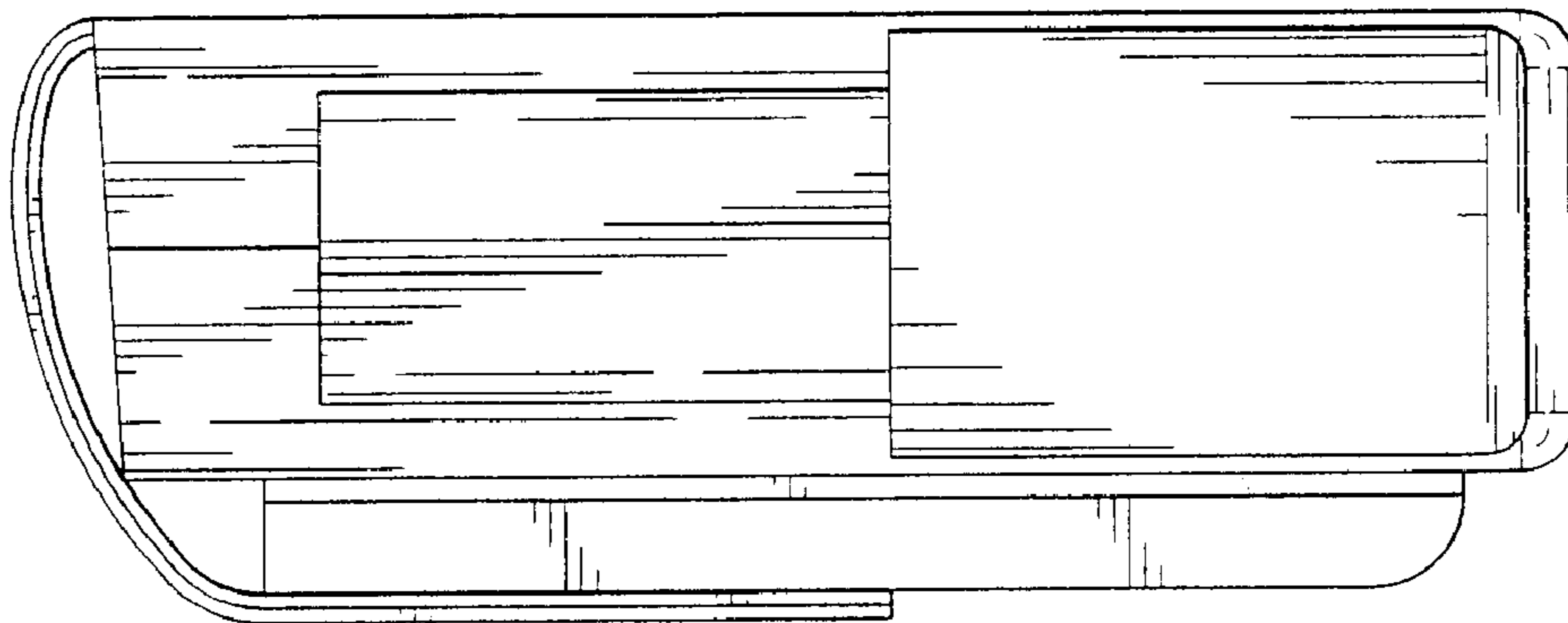


FIG. 4

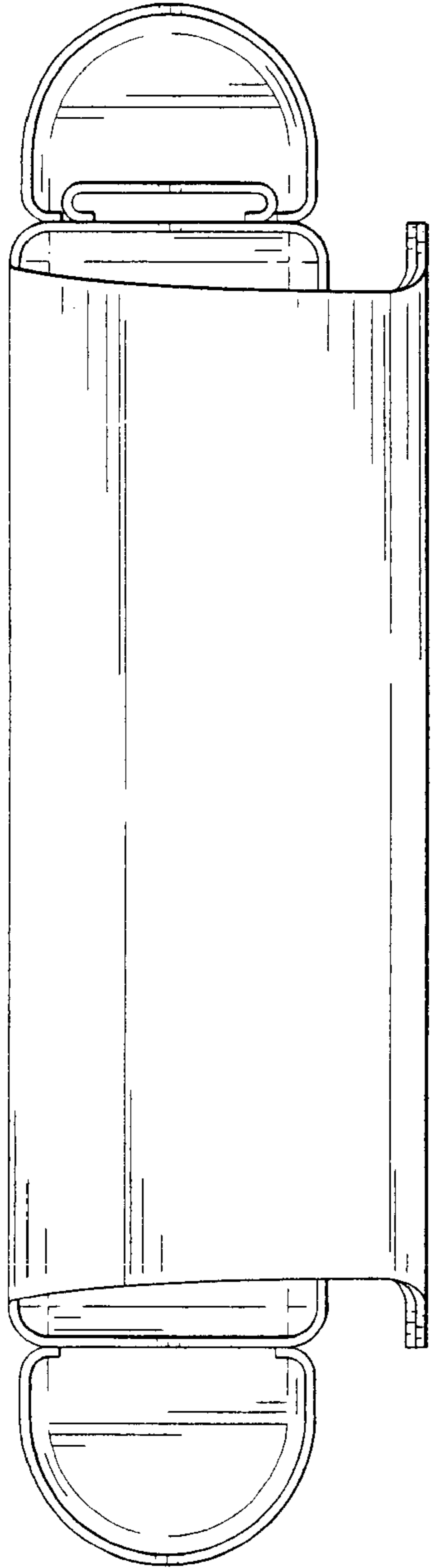


FIG. 6

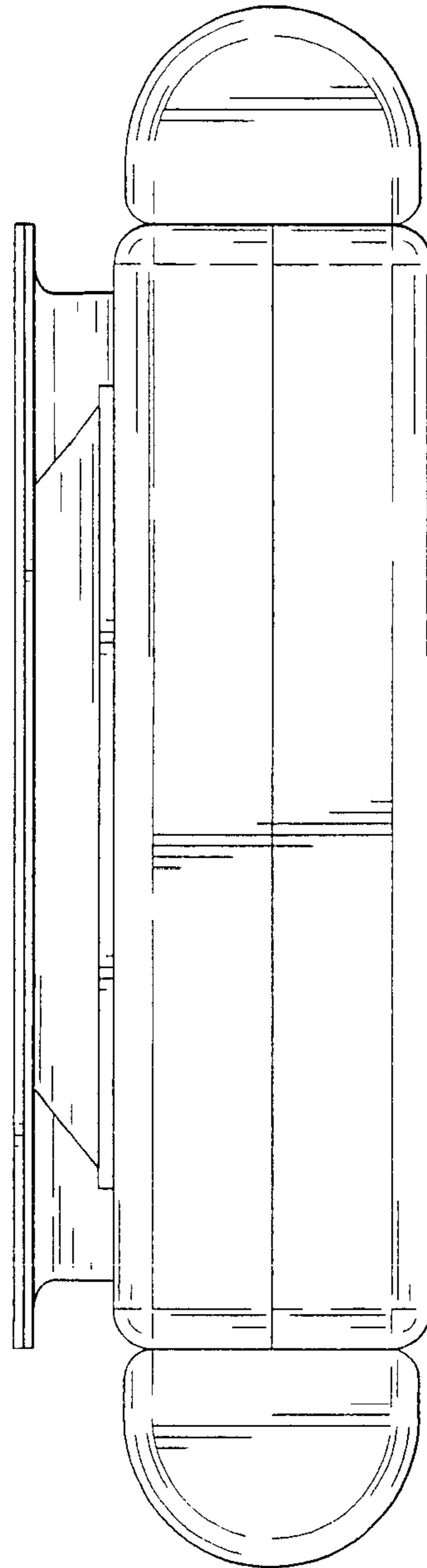


FIG. 7

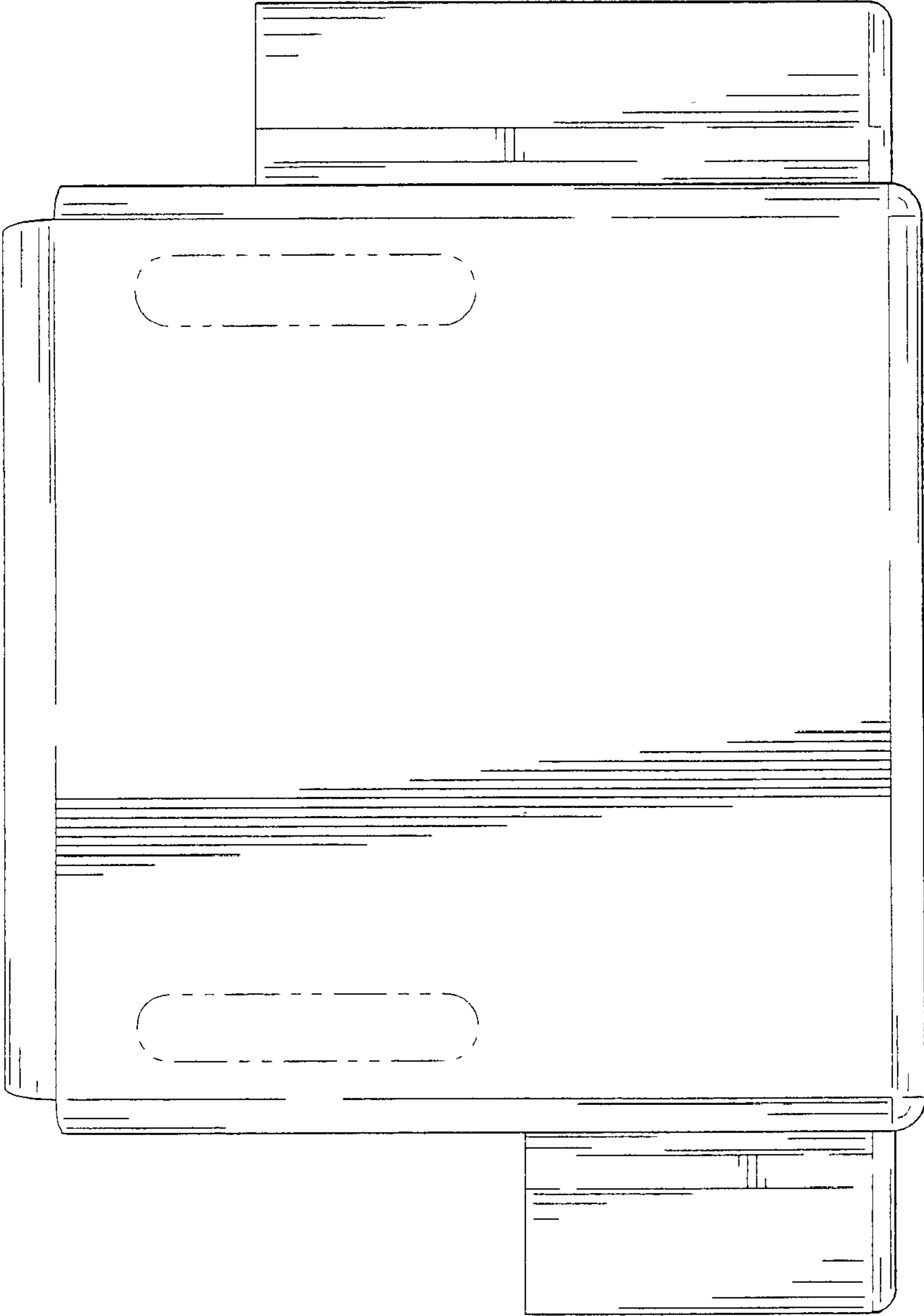


FIG. 8