

US00D520746S

(12) **United States Design Patent**
Meyer et al.

(10) **Patent No.:** **US D520,746 S**

(45) **Date of Patent:** **** May 16, 2006**

(54) **GAME SAVERS CONTAINER**

(76) Inventors: **Scott K. Meyer**, 450 S. 300 East 96-8,
Blanding, UT (US) 84511; **Wendy L. Meyer**, 450 S. 2300 East 96-8,
Blanding, UT (US) 84511

(**) Term: **14 Years**

(21) Appl. No.: **29/212,376**

(22) Filed: **Sep. 1, 2004**

(51) **LOC (8) Cl.** **03-01**

(52) **U.S. Cl.** **D3/284**

(58) **Field of Classification Search** D3/283-284,
D3/286, 294, 295, 903, 905; 206/315.11;
220/529, 553-554

See application file for complete search history.

(56) **References Cited**

U.S. PATENT DOCUMENTS

D183,923 S	11/1958	Foster	
D213,770 S	* 4/1969	Isaacson D9/418
4,319,683 A	3/1982	Correa, III	
D281,836 S	* 12/1985	Sparkman D3/203.7
D291,037 S	7/1987	Handler et al.	
D294,308 S	* 2/1988	Charton D3/294
D298,511 S	* 11/1988	Bryant D3/274
D308,609 S	6/1990	Handler et al.	
D309,981 S	* 8/1990	French et al. D3/295
D314,273 S	* 2/1991	Minneman D3/262
D324,085 S	2/1992	Morton	
D329,747 S	9/1992	Embree	
D333,487 S	* 2/1993	Papp D19/75
D336,155 S	* 6/1993	Williams D3/284

D338,304 S	8/1993	Graham	
D339,682 S	9/1993	Phelps	
D361,220 S	8/1995	Cacciola	
5,586,763 A	12/1996	De Bono et al.	
D392,119 S	3/1998	Montoya	
D399,678 S	10/1998	Aquino et al.	
D402,106 S	12/1998	Buckingham et al.	
D403,176 S	12/1998	Harper	
D425,302 S	5/2000	Fountain, Sr.	
D440,429 S	4/2001	Wales et al.	
D510,189 S	* 10/2005	Greiner D3/295

* cited by examiner

Primary Examiner—Philip S. Hyder

Assistant Examiner—RoseLynne Ulm

(74) *Attorney, Agent, or Firm*—Theresa M. Seal

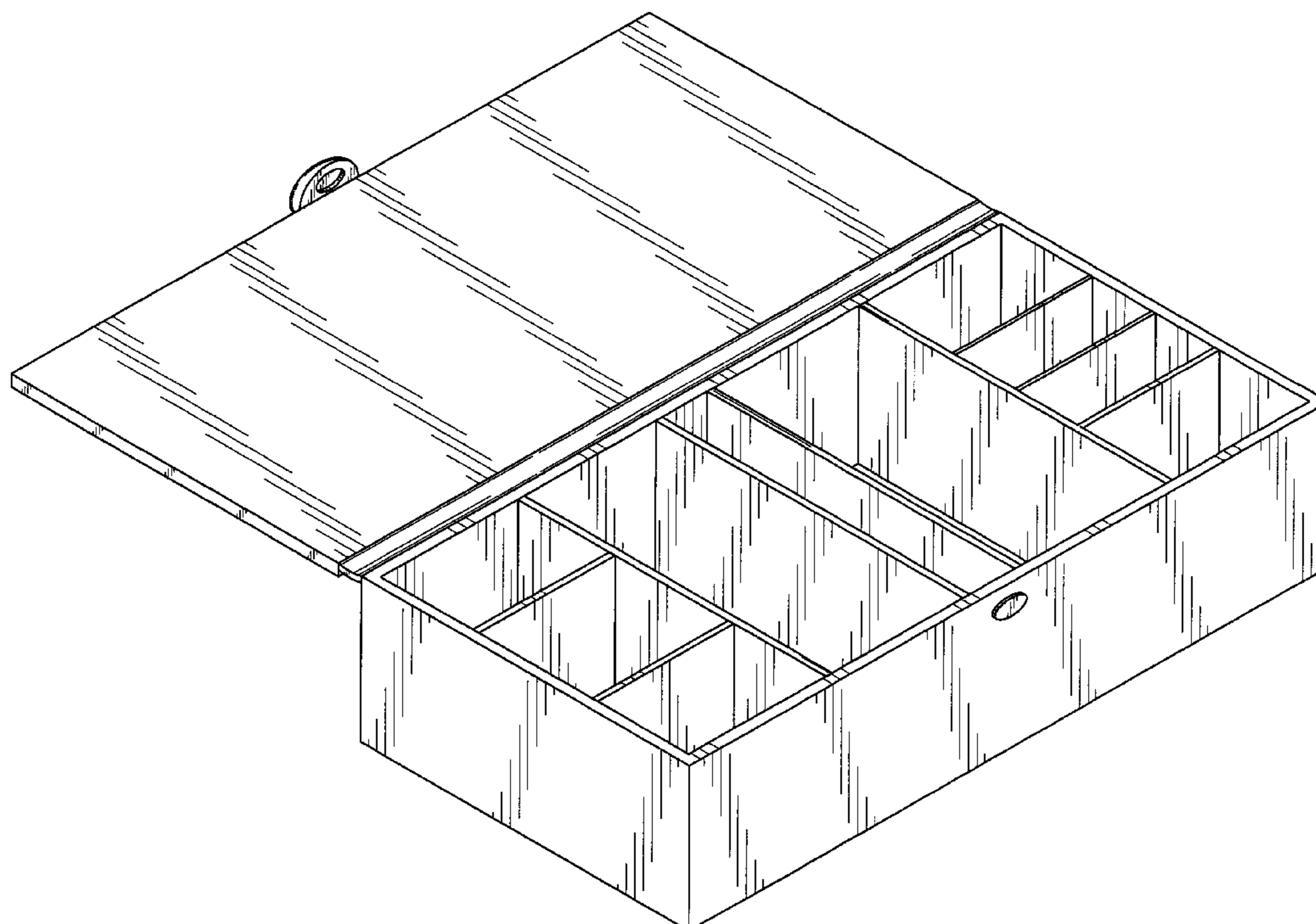
(57) **CLAIM**

The ornamental design for a game savers container, as shown and described.

DESCRIPTION

FIG. 1 is a perspective view of a game savers container depicting the dividing means separate from the box thereof; FIG. 2 is a perspective view of a game savers container depicting the dividing means inside the box in accordance with the invention; FIG. 3 is an elevational view view, the opposite side being of mirror image thereof; FIG. 4 is an elevational front view thereof; FIG. 5 is an elevational rear view thereof; FIG. 6 is an elevational top view thereof; and, FIG. 7 is an elevational bottom view thereof.

1 Claim, 6 Drawing Sheets



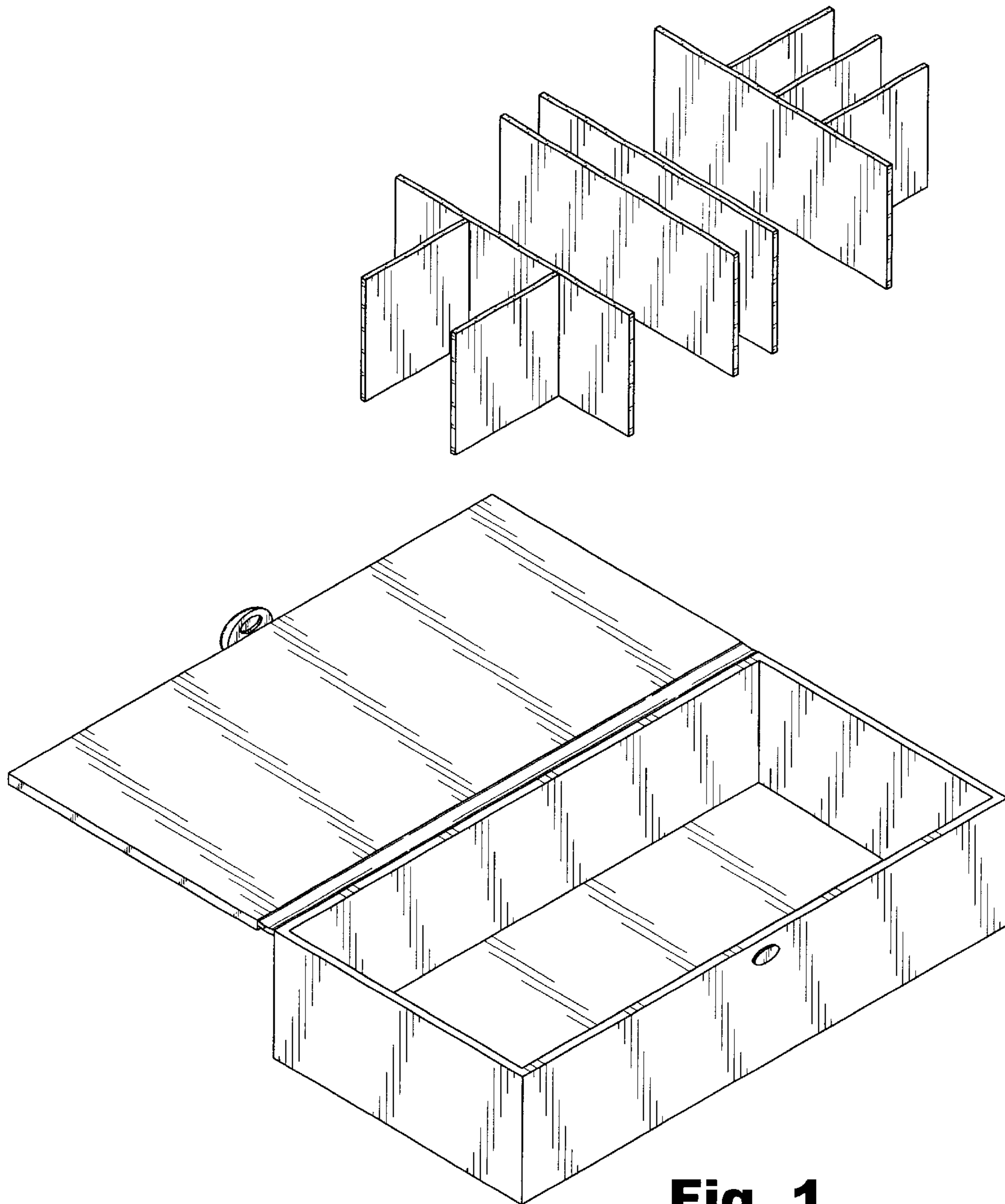


Fig. 1

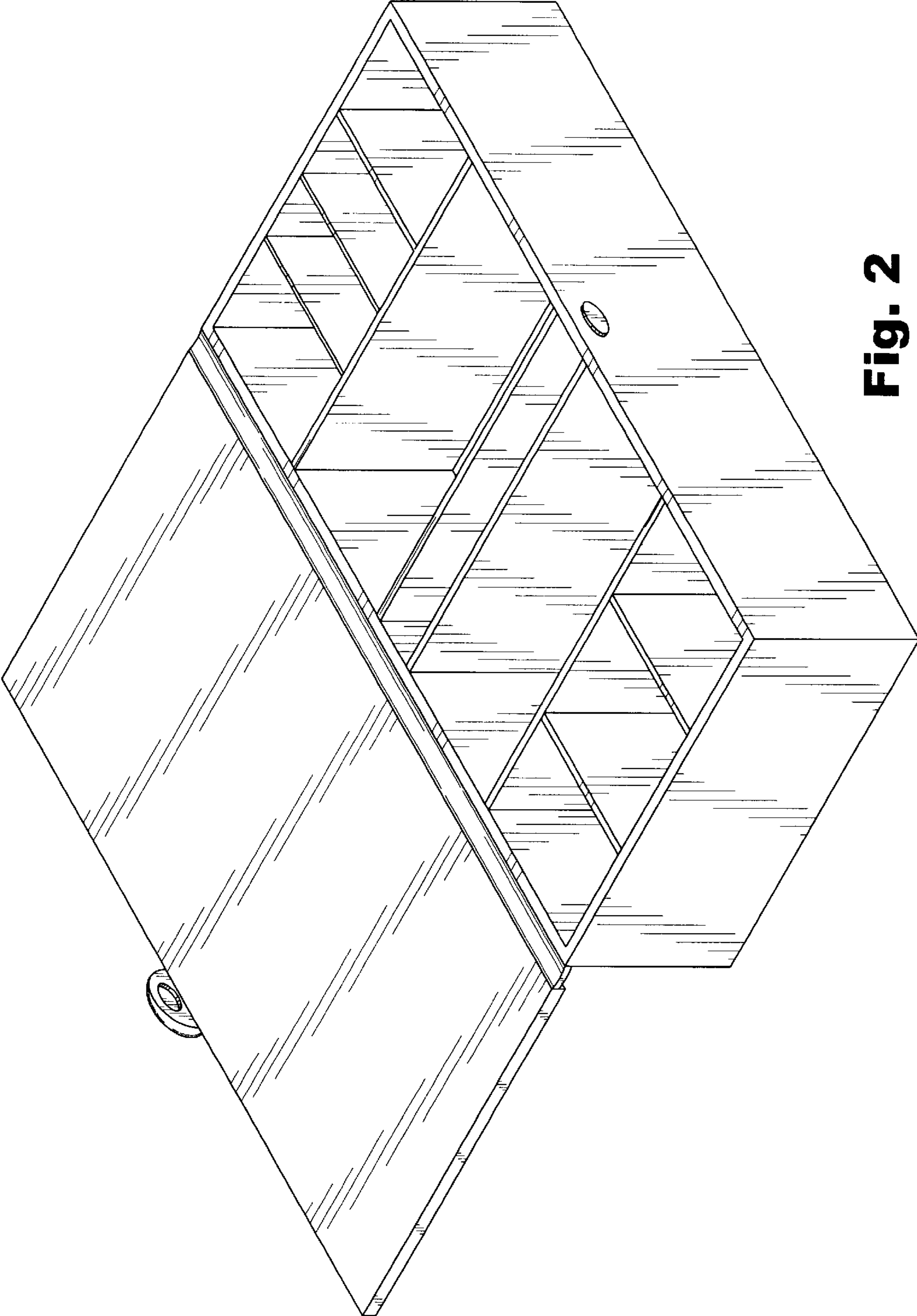


Fig. 2

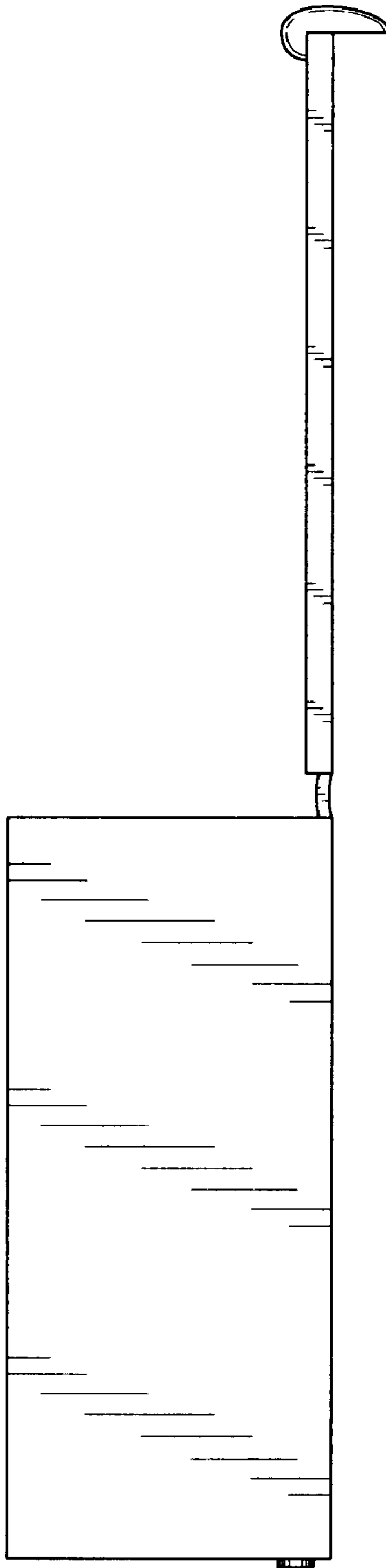


Fig. 3

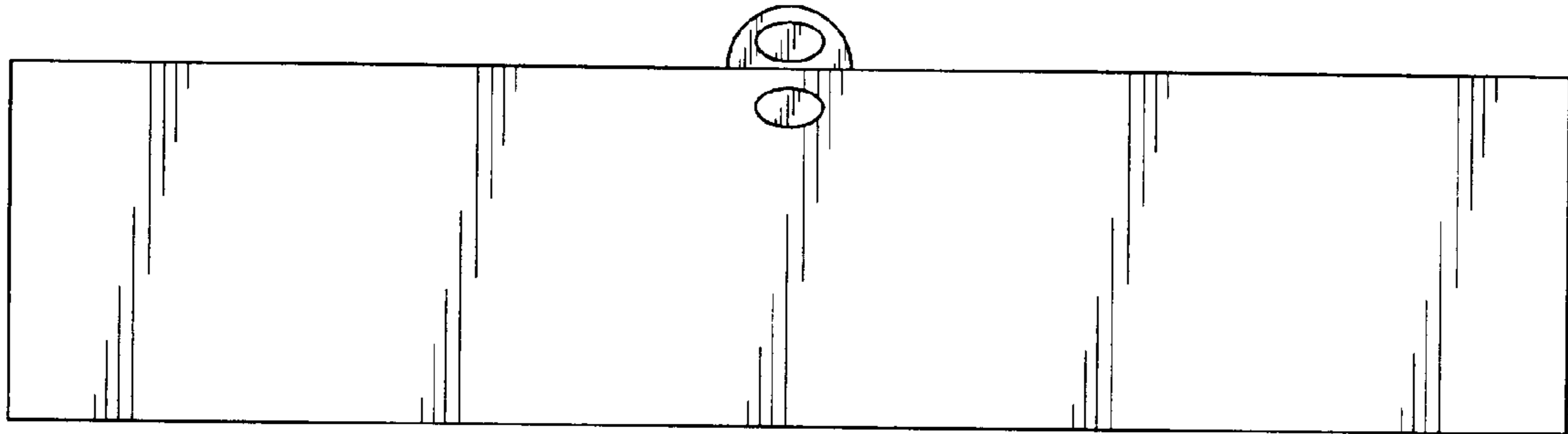


Fig. 4

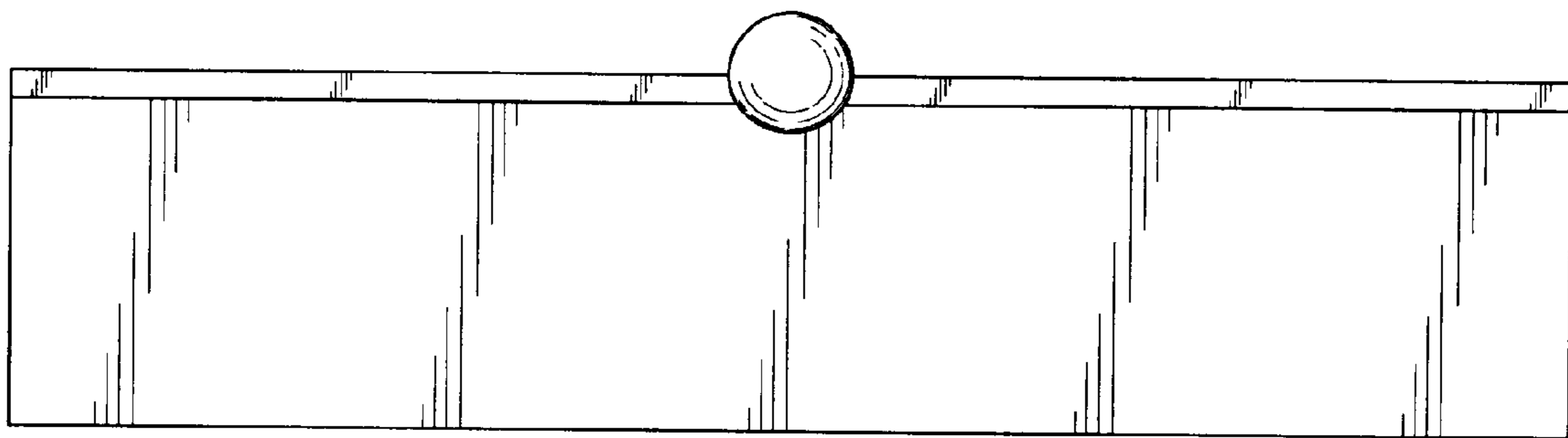


Fig. 5

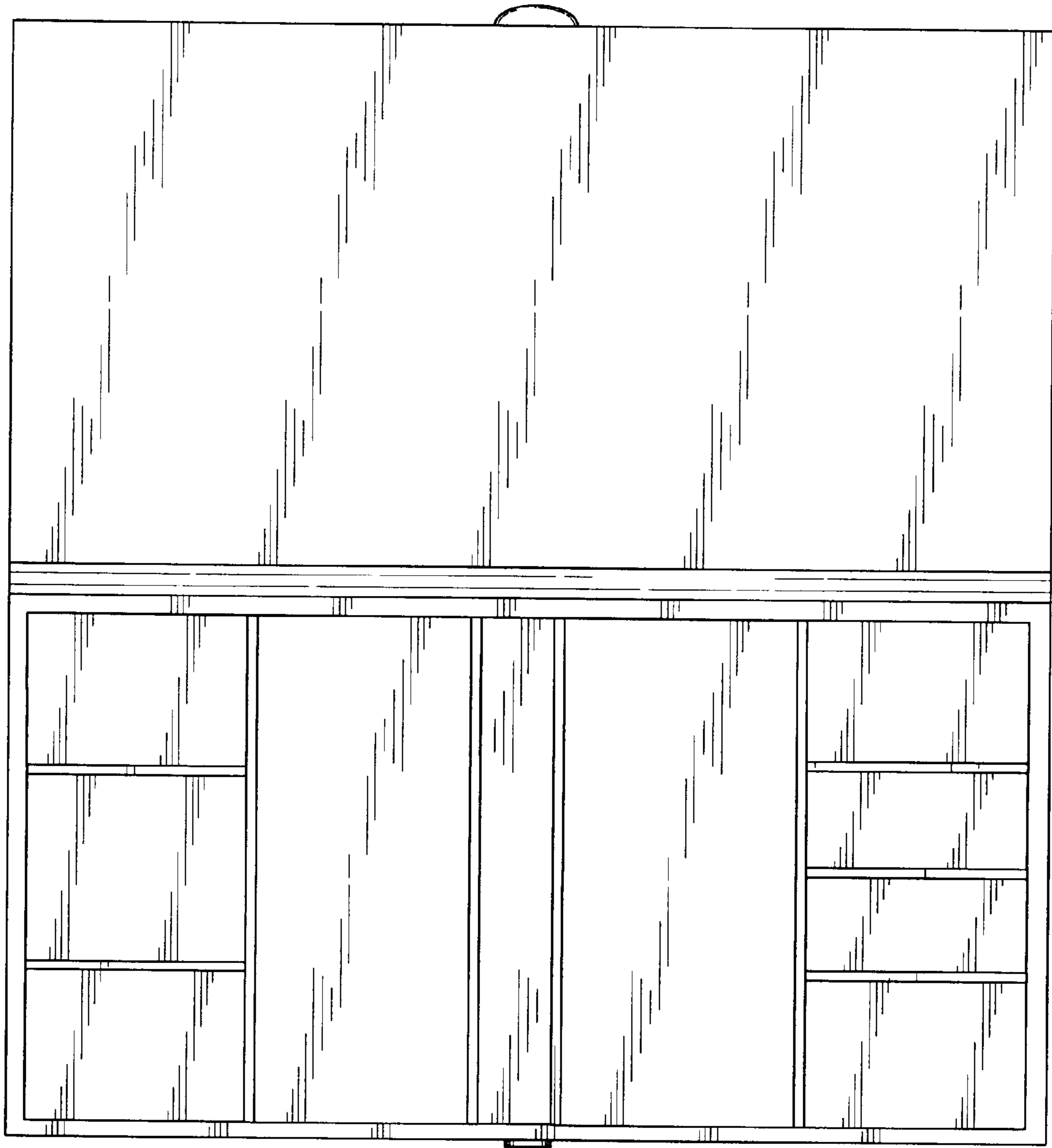


Fig. 6

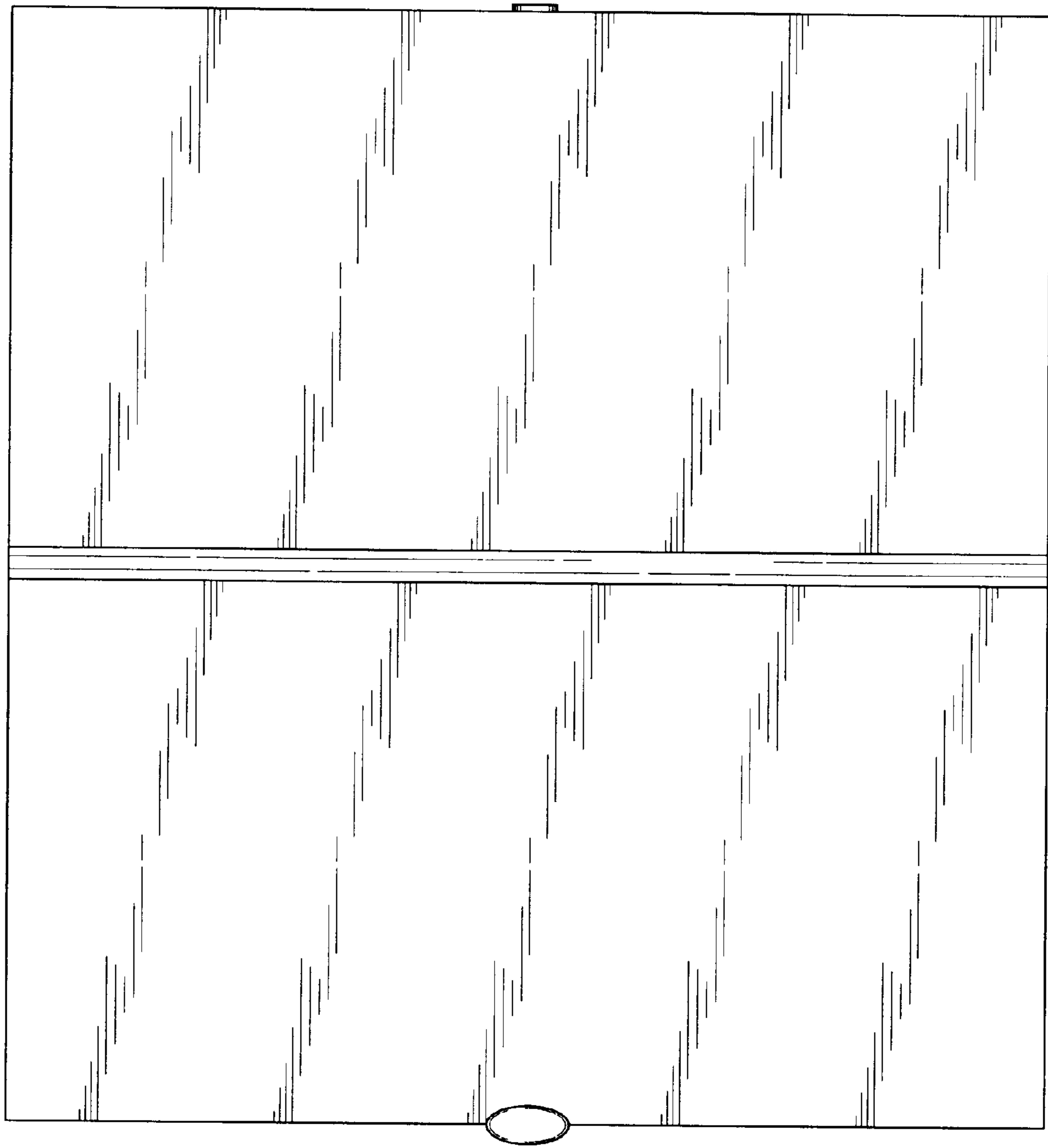


Fig. 7