

US00D520745S

(12) **United States Design Patent**
Hussaini et al.

(10) **Patent No.:** **US D520,745 S**

(45) **Date of Patent:** **** May 16, 2006**

(54) **STORAGE BAG FOR AUDIO/VIDEO ENTERTAINMENT DEVICE**

D482,528 S * 11/2003 Fair D3/267
D482,842 S * 12/2003 Fair D3/267

(75) Inventors: **Saied Hussaini**, Miami, FL (US); **Marc Iacovelli**, Miami, FL (US)

* cited by examiner

Primary Examiner—Philip S. Hyder

(73) Assignee: **INTEC, Inc.**, Miami, FL (US)

(74) *Attorney, Agent, or Firm*—Berenato, White & Stavish LLC

(**) Term: **14 Years**

(57) **CLAIM**

(21) Appl. No.: **29/190,412**

The ornamental design for a storage bag for audio/video entertainment device, as shown and described.

(22) Filed: **Sep. 22, 2003**

DESCRIPTION

(51) **LOC (8) Cl.** **03-01**

FIG. 1 is a perspective view of the storage bag for audio/video entertainment device of according to the present invention.

(52) **U.S. Cl.** **D3/283; D3/289; D3/290**

FIG. 2 is front view of the storage bag for audio/video entertainment device of FIG. 1.

(58) **Field of Classification Search** 190/100,
190/109, 110, 111, 112, 113, 903; 150/117;
383/110; D3/267, 273, 276, 283, 285, 286,
D3/287, 289

FIG. 3 is a rear view of the storage bag for audio/video entertainment device of FIG. 1.

See application file for complete search history.

FIG. 4 is a top view of the storage bag for audio/video entertainment device of FIG. 1.

(56) **References Cited**

FIG. 5 is a bottom view of the storage bag for audio/video entertainment device of FIG. 1.

U.S. PATENT DOCUMENTS

FIG. 6 is a right side view of the storage bag for audio/video entertainment device of FIG. 1; and,

D358,483 S	*	5/1995	Cross et al.	D3/276
D380,612 S	*	7/1997	Kelley et al.	D3/289
D468,101 S	*	1/2003	Hassett	D3/283
D472,380 S	*	4/2003	Hillman	D3/267
D477,713 S	*	7/2003	Murdoch et al.	D3/267
D482,525 S	*	11/2003	Fair	D3/267

FIG. 7 is a left side view of the storage bag for audio/video entertainment device of FIG. 1.

The broken line showing the shoulder strap is for illustrative purposes only and forms no part of the claimed invention.

1 Claim, 7 Drawing Sheets

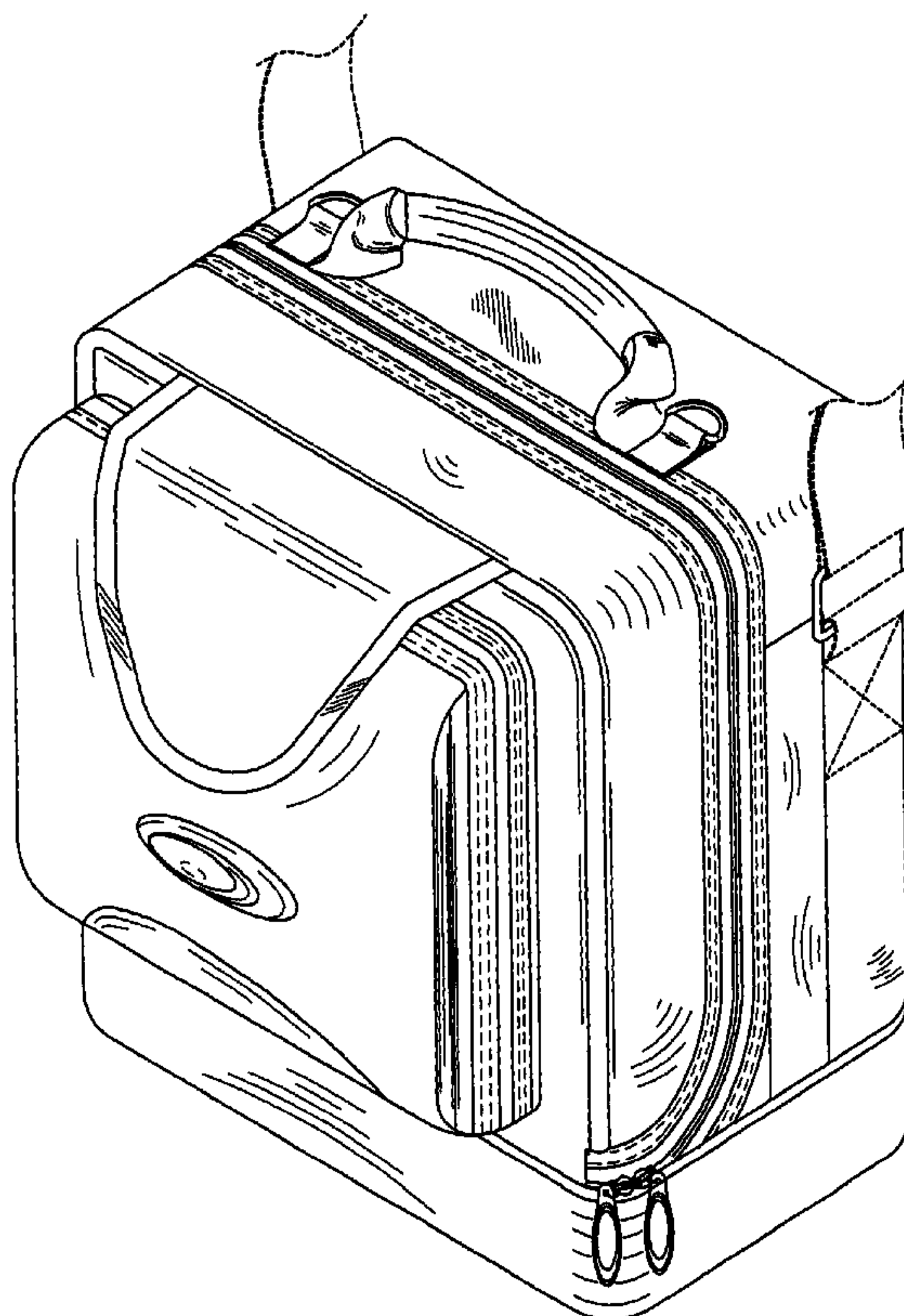


Fig. 1

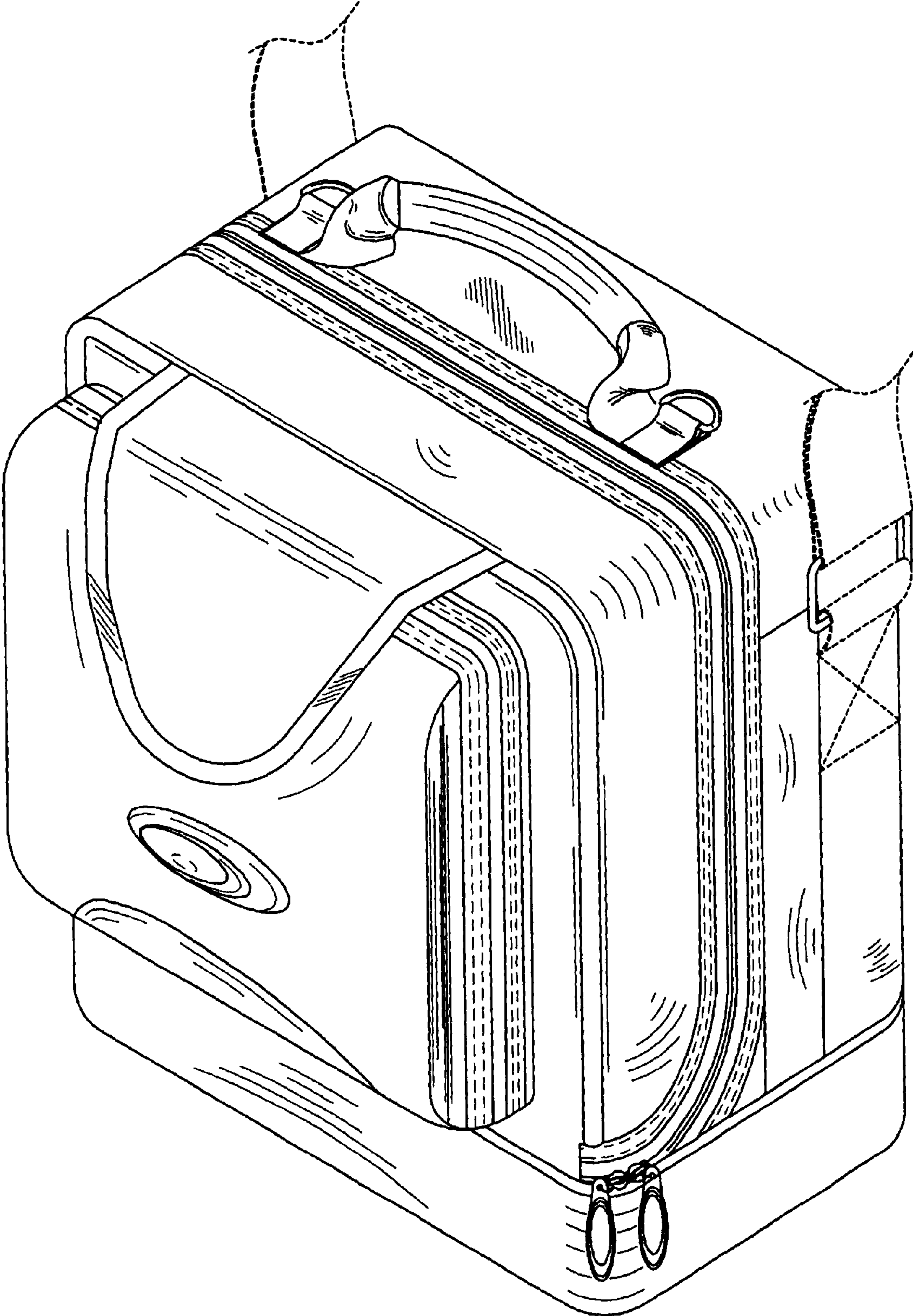


Fig. 2

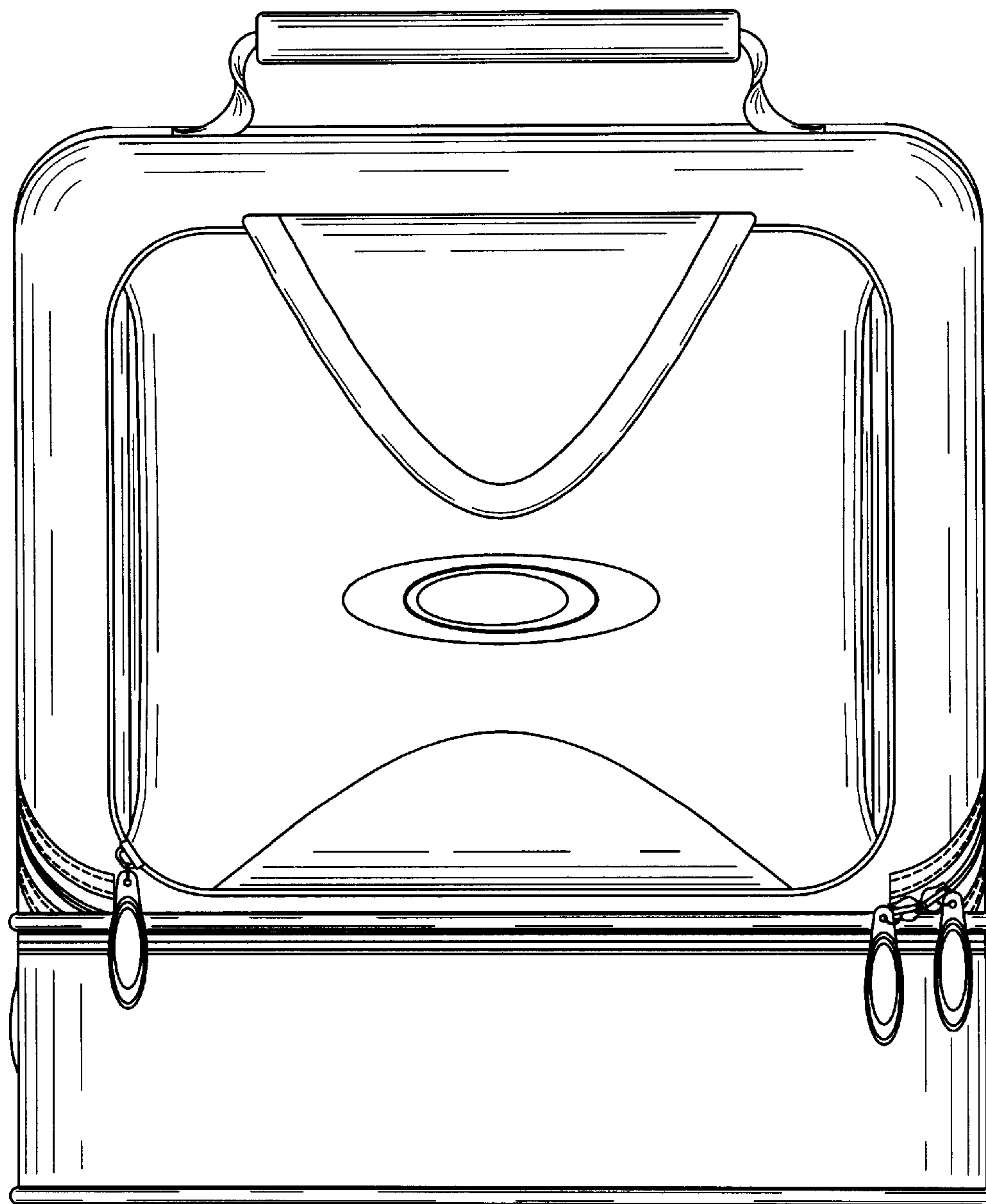


Fig. 3

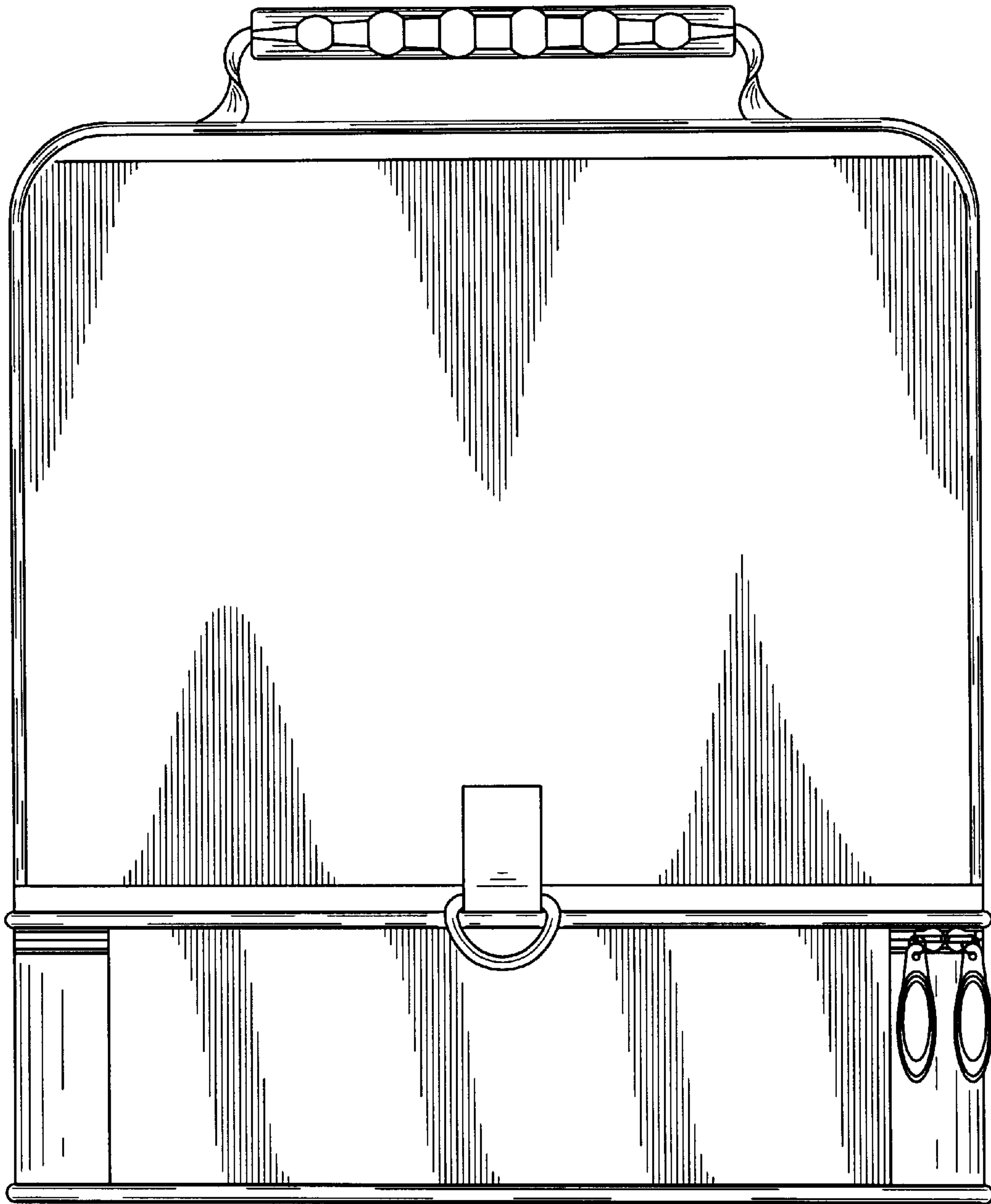


Fig. 4

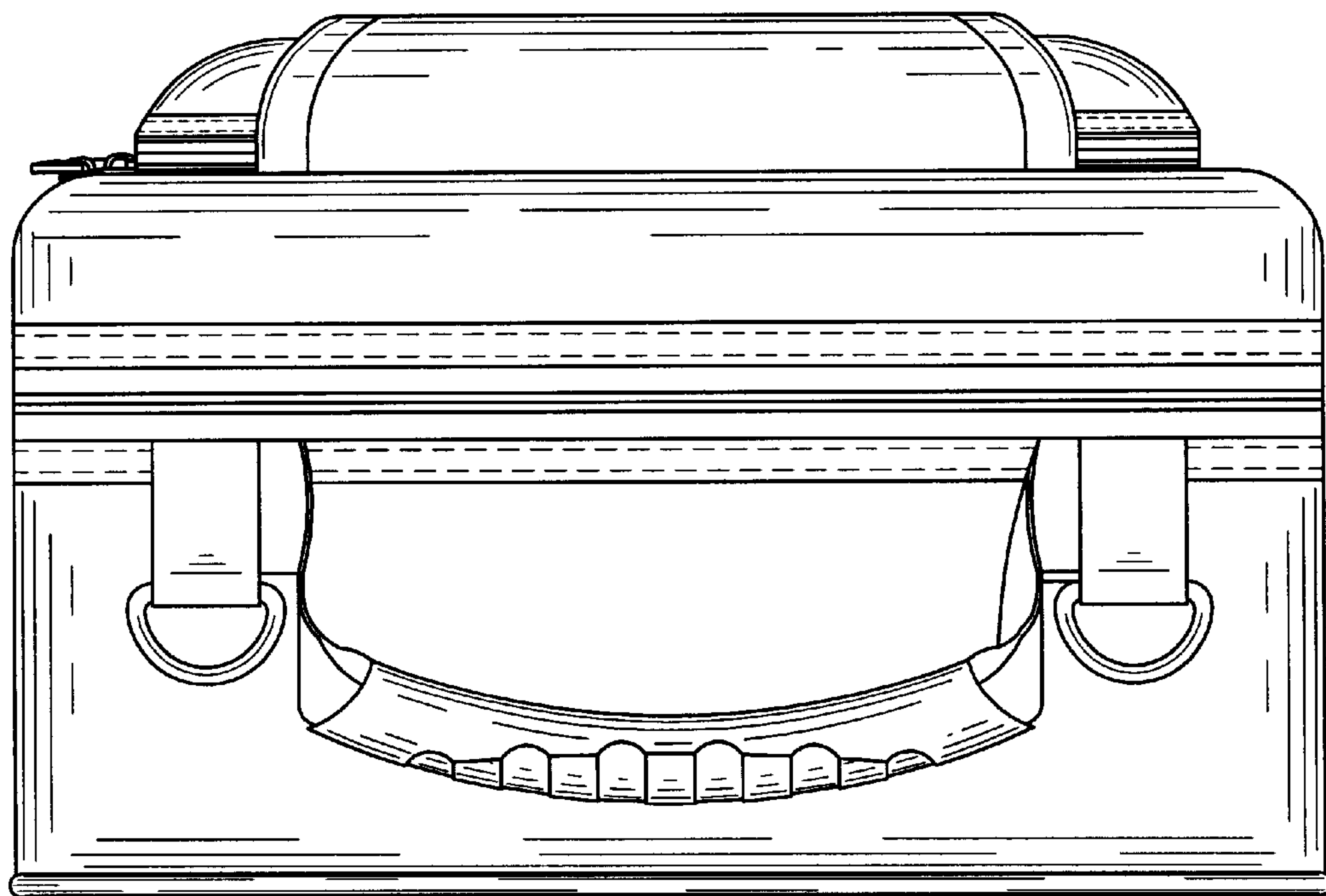


Fig. 5

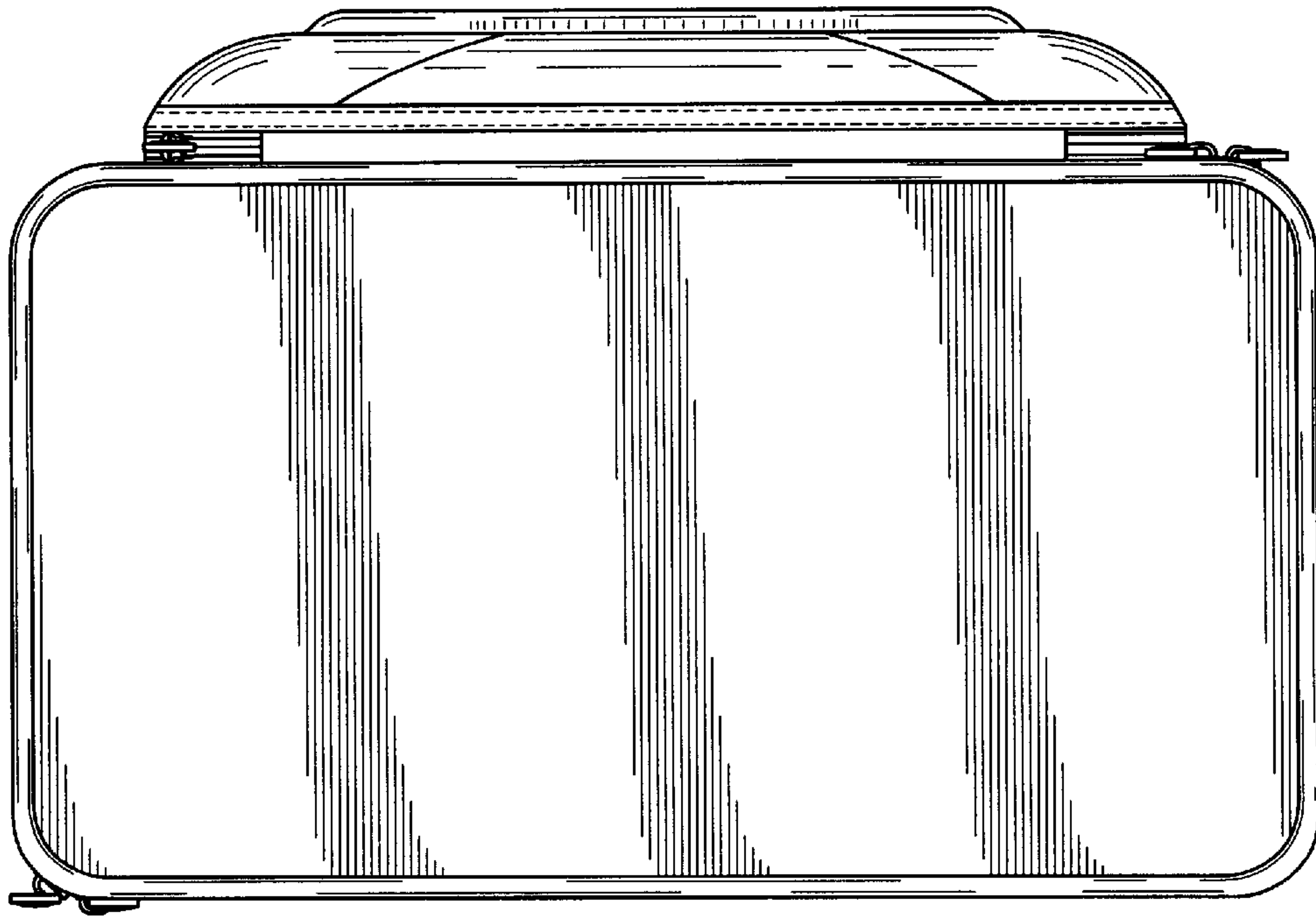


Fig. 6

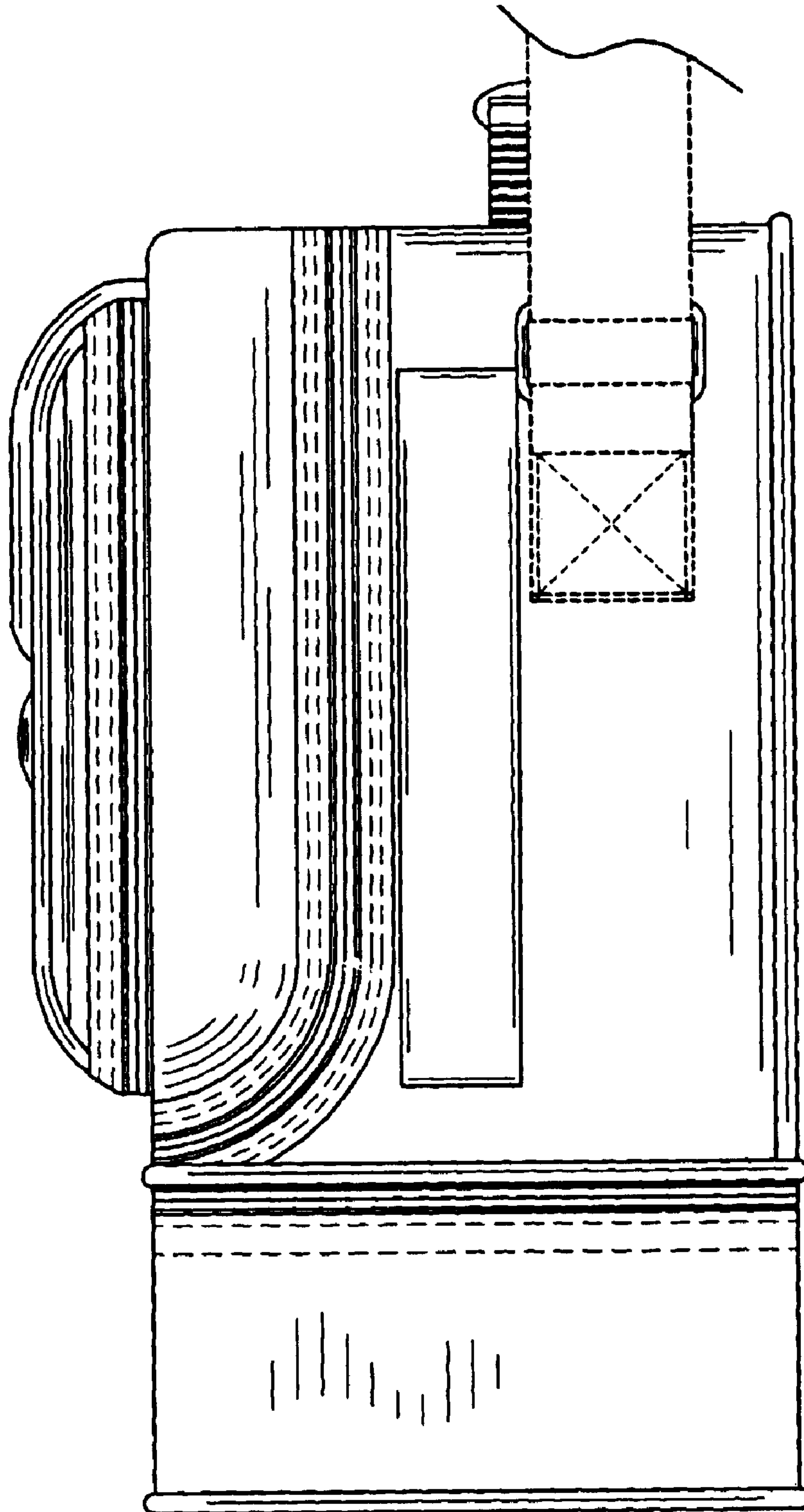


Fig. 7

