

US00D520740S

(12) **United States Design Patent**
Giordano et al.

(10) **Patent No.:** **US D520,740 S**

(45) **Date of Patent:** **** May 16, 2006**

(54) **BALL DISPENSER**

(76) Inventors: **Frank Giordano**, 3021 Soft Horizon Way, Las Vegas, NV (US) 89135; **Irene Giordano**, 3021 Soft Horizon Way, Las Vegas, NV (US) 89135

(**) Term: **14 Years**

(21) Appl. No.: **29/216,084**

(22) Filed: **Oct. 26, 2004**

(51) **LOC (8) Cl.** **03-01**

(52) **U.S. Cl.** **D3/221**

(58) **Field of Classification Search** D3/221,
D3/224, 226, 215, 257, 259, 254; D21/796,
D21/789; 224/666, 918-919, 676-680, 196-197;
206/315.9

See application file for complete search history.

(56) **References Cited**

U.S. PATENT DOCUMENTS

D448,555 S	*	10/2001	deLong	D3/221
D474,016 S	*	5/2003	Childers	D3/221
D503,449 S	*	3/2005	Dastice	D3/221
D504,483 S	*	4/2005	Leung	D3/221

* cited by examiner

Primary Examiner—Catherine R. Oliver

(74) *Attorney, Agent, or Firm*—Robert Ryan Morishita; Morishita Law Firm, LLC

(57) **CLAIM**

The ornamental design for a ball dispenser, as shown and described.

DESCRIPTION

FIG. 1 is a front perspective view of a ball dispenser according to an embodiment of the present invention; FIG. 2 is a front view of the ball dispenser of FIG. 1; FIG. 3 is a right side view of the ball dispenser of FIG. 1; FIG. 4 is a left side view of the ball dispenser of FIG. 1; FIG. 5 is a rear view of the ball dispenser of FIG. 1; FIG. 6 is a top view of the ball dispenser of FIG. 1; FIG. 7 is a bottom view of the ball dispenser of FIG. 1; FIG. 8 is a front perspective view of a ball dispenser showing a second embodiment of the present invention; FIG. 9 is a front view of the ball dispenser of FIG. 8; FIG. 10 is a right side view of the ball dispenser of FIG. 8; FIG. 11 is a left side view of the ball dispenser of FIG. 8; FIG. 12 is a rear view of the ball dispenser of FIG. 8; FIG. 13 is a top view of the ball dispenser of FIG. 8; and, FIG. 14 is a bottom view of the ball dispenser of FIG. 8.

1 Claim, 8 Drawing Sheets

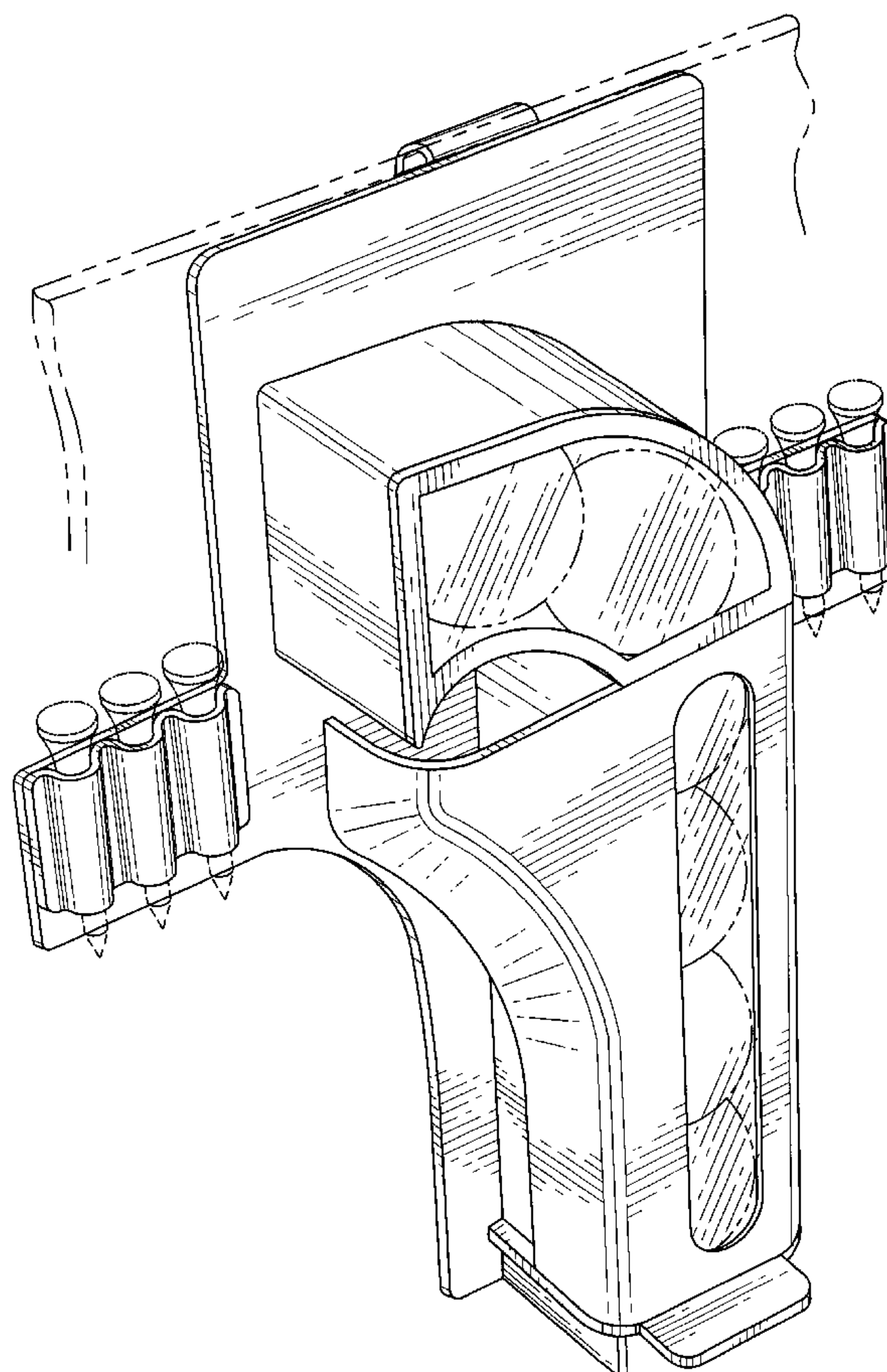


FIG. 1

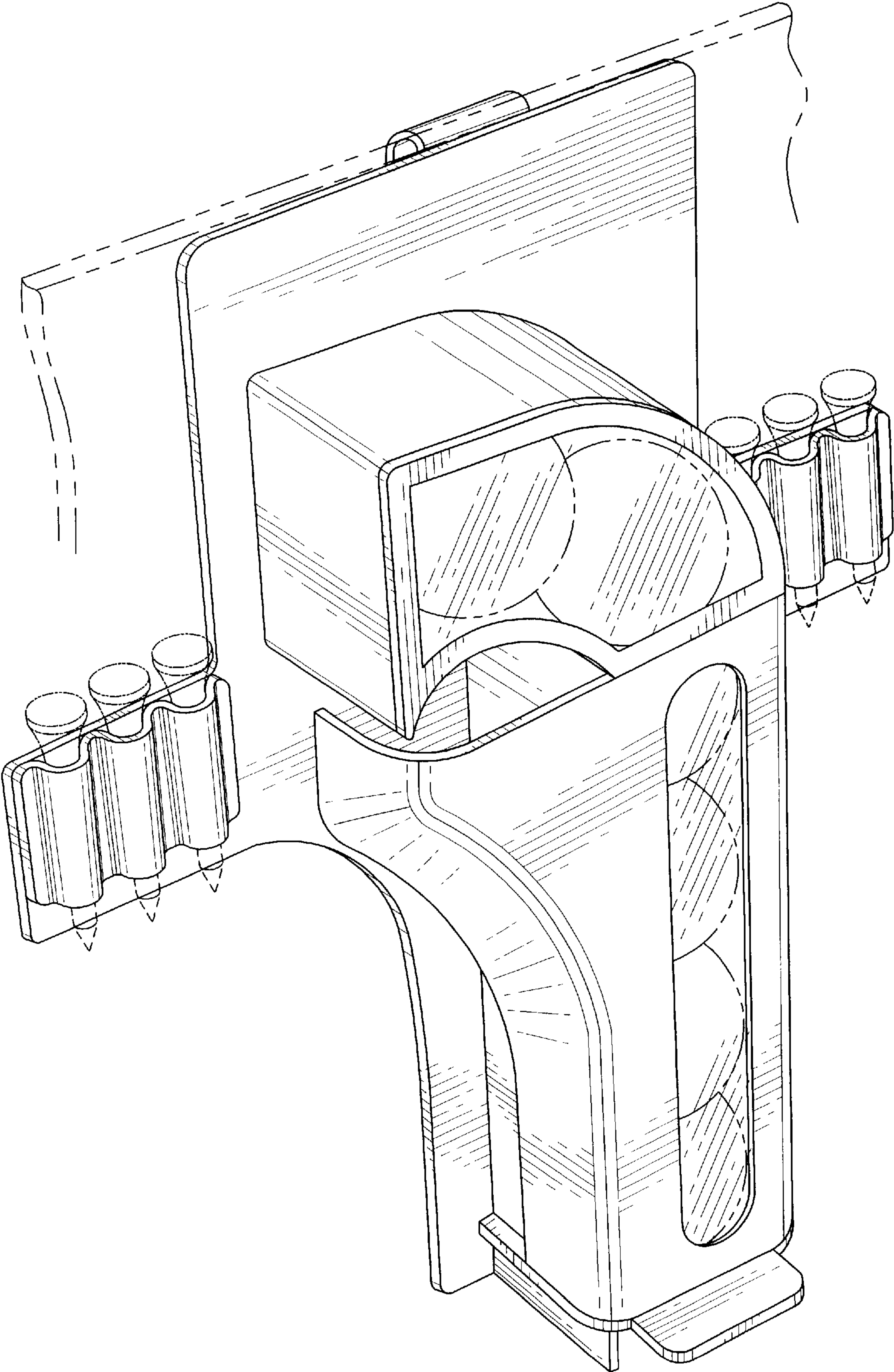


FIG. 2

FIG. 3

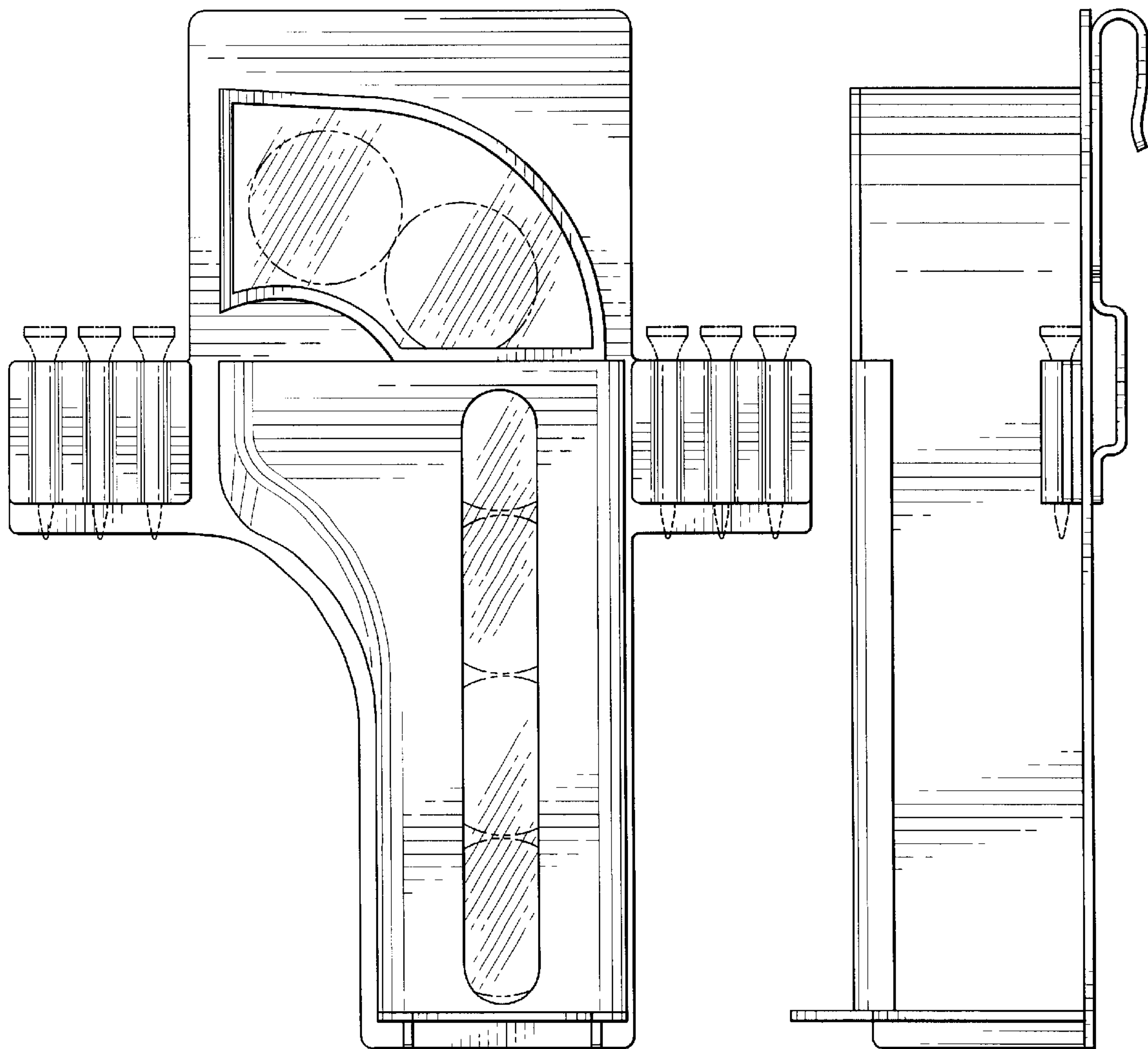


FIG. 4

FIG. 5

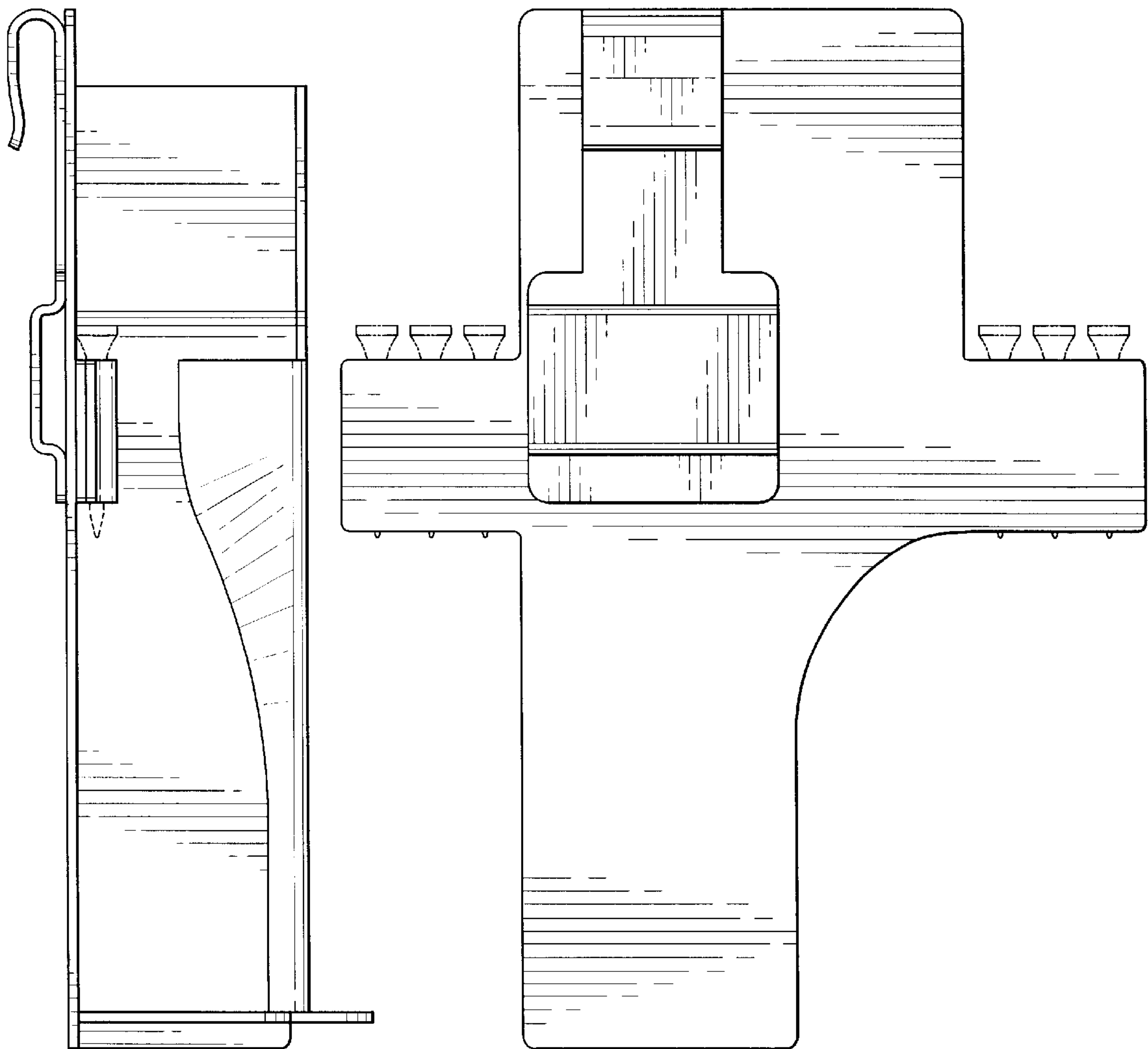


FIG. 6

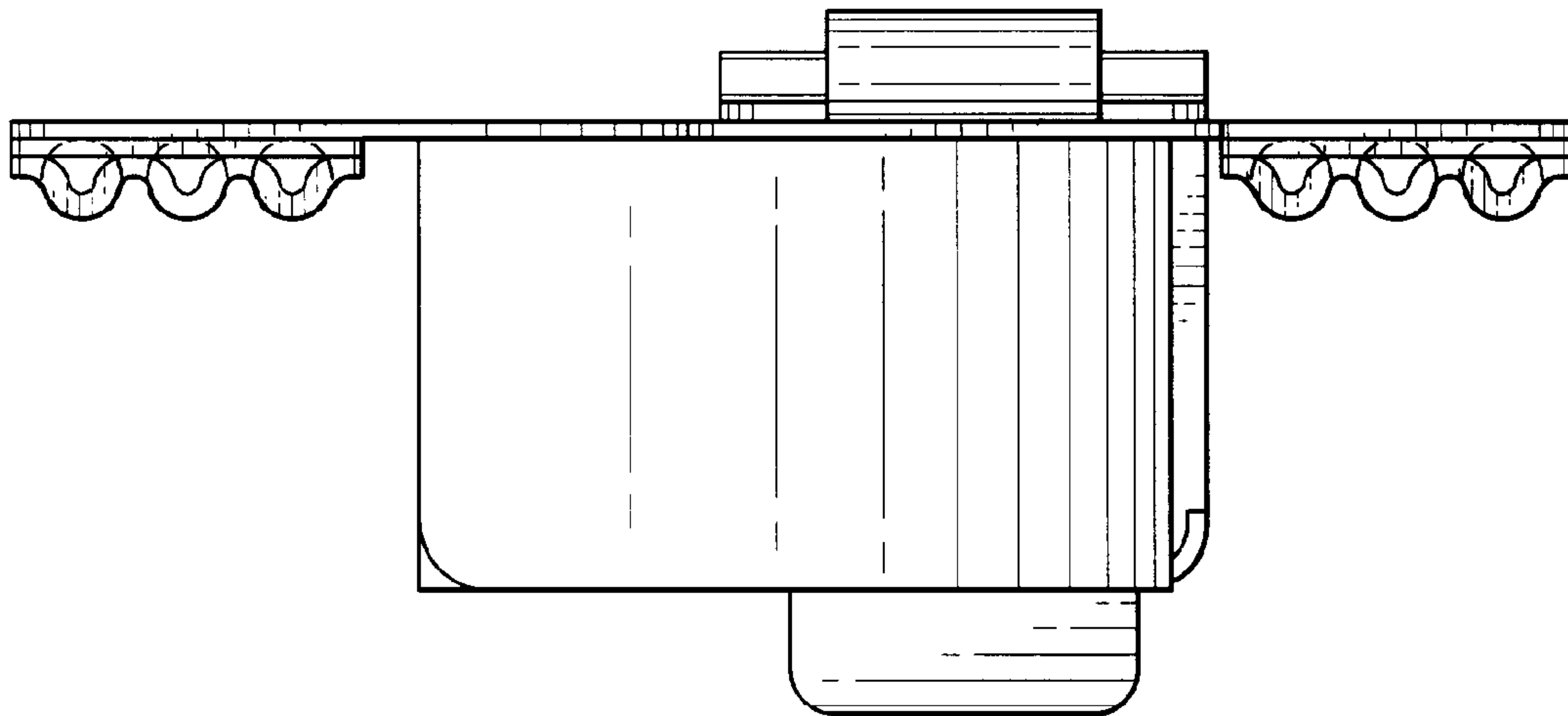


FIG. 7

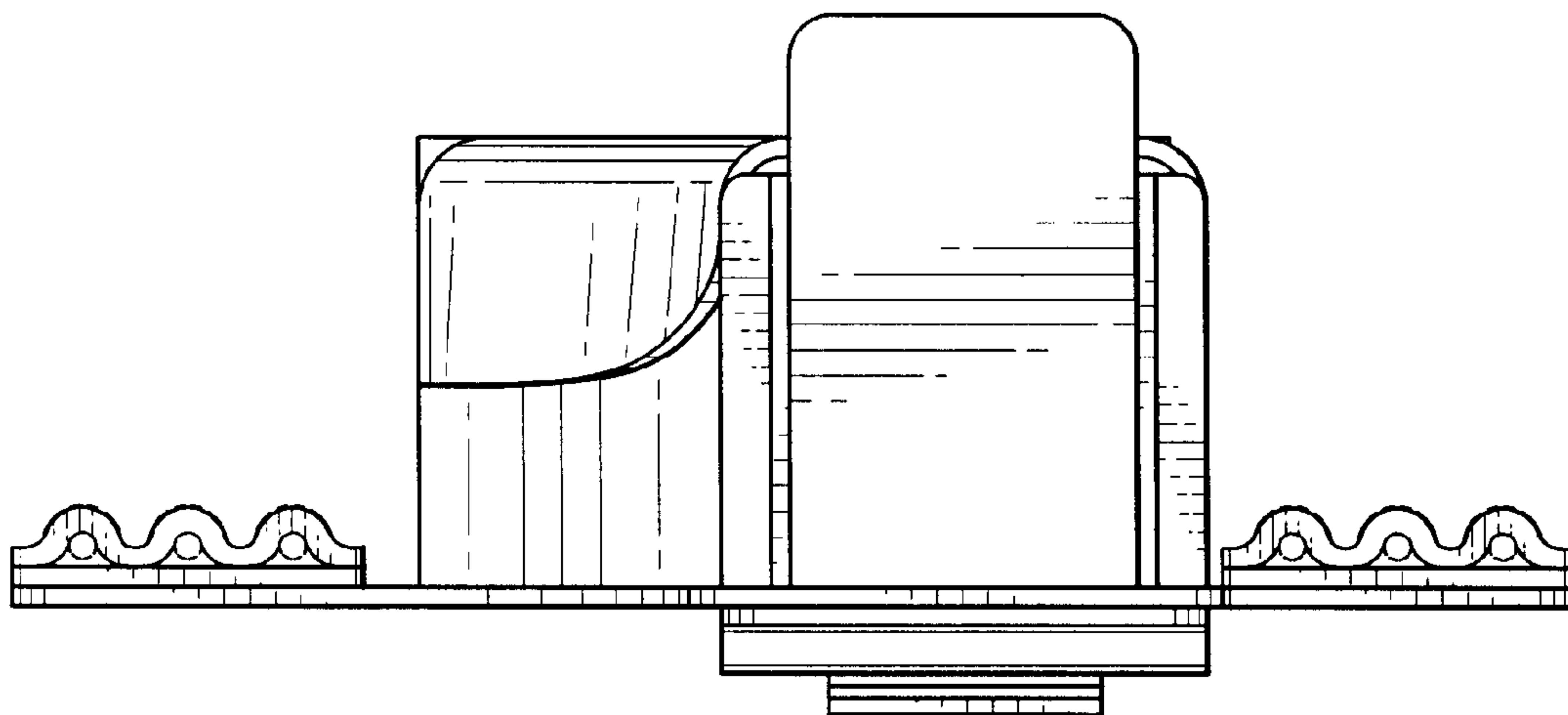


FIG. 8

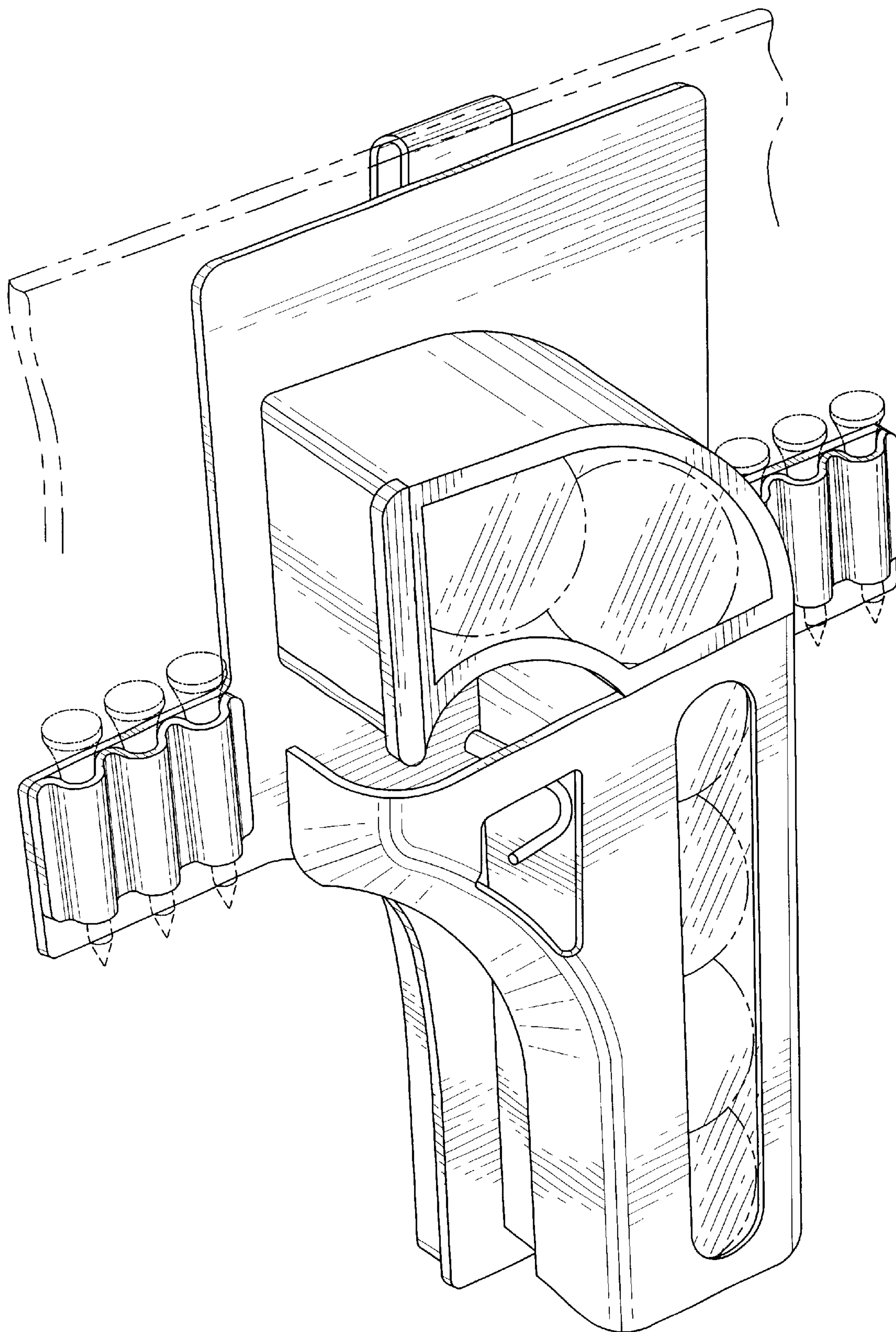


FIG. 9

FIG. 10

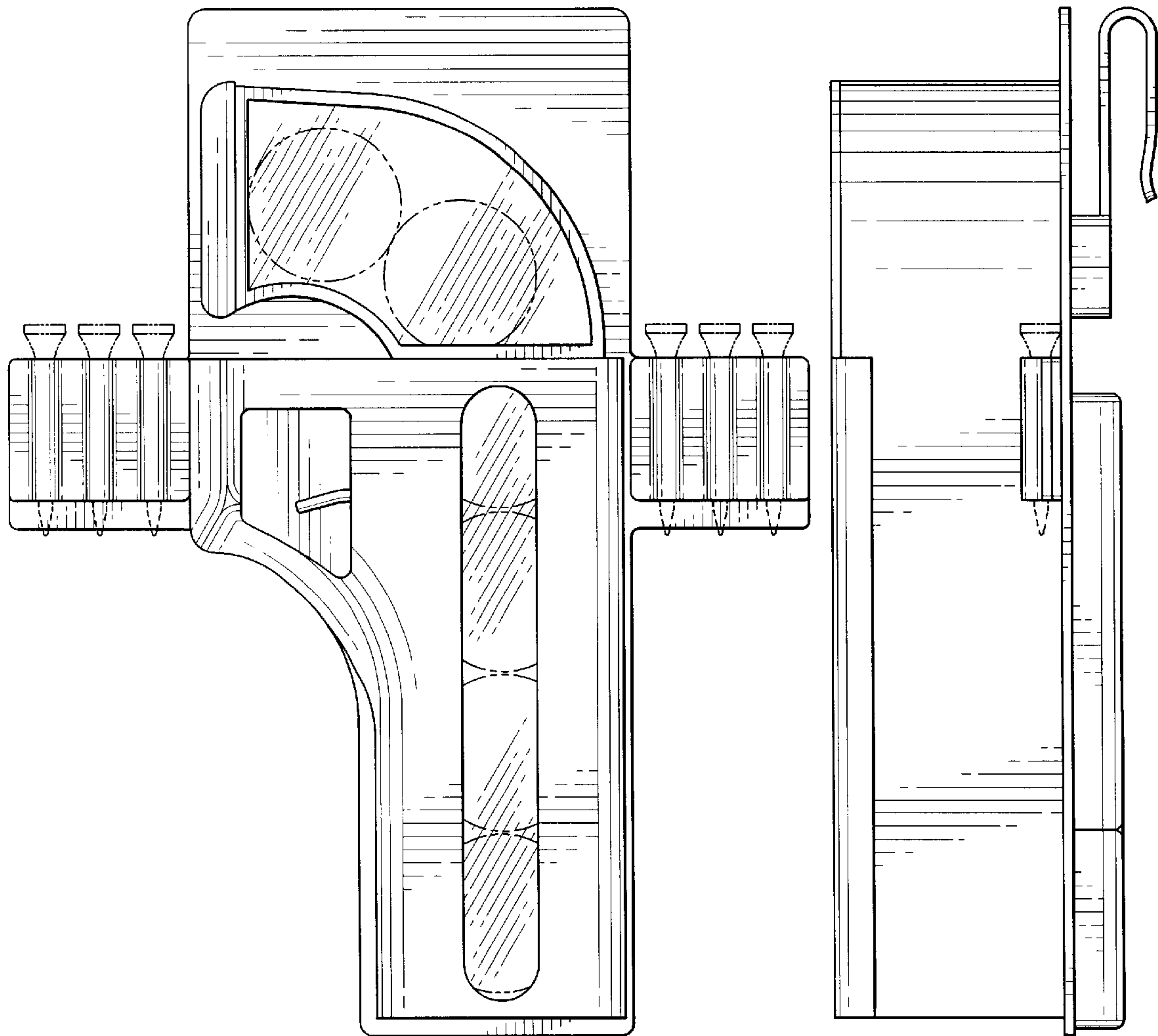


FIG. 11

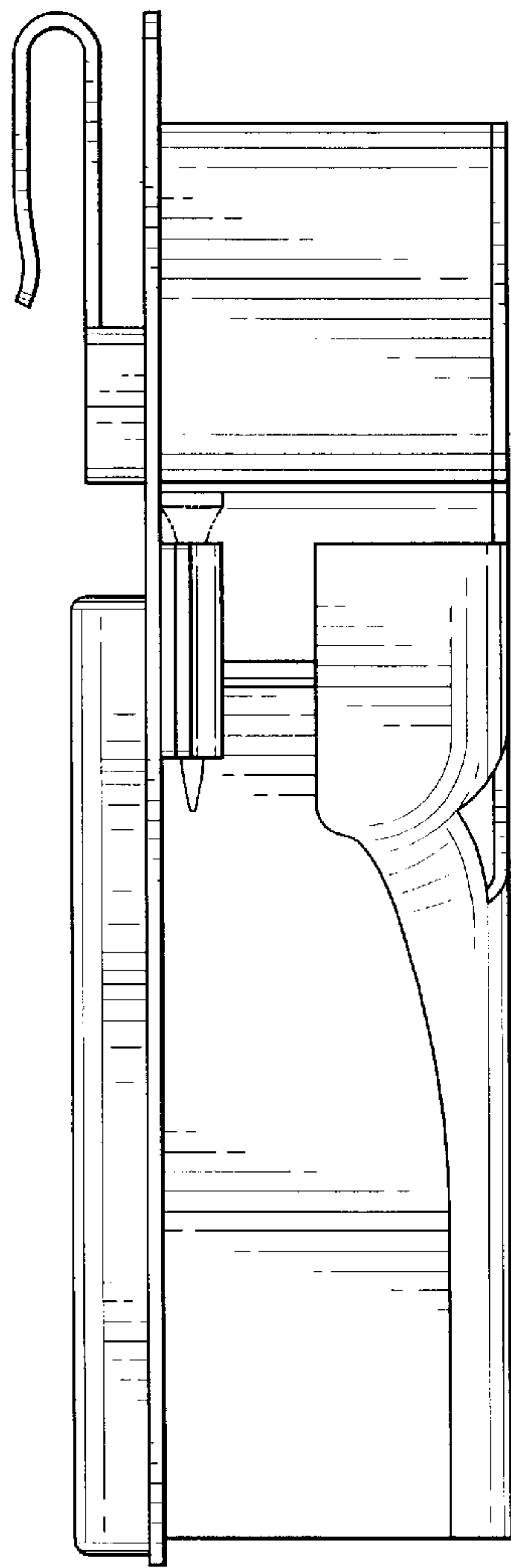


FIG. 12

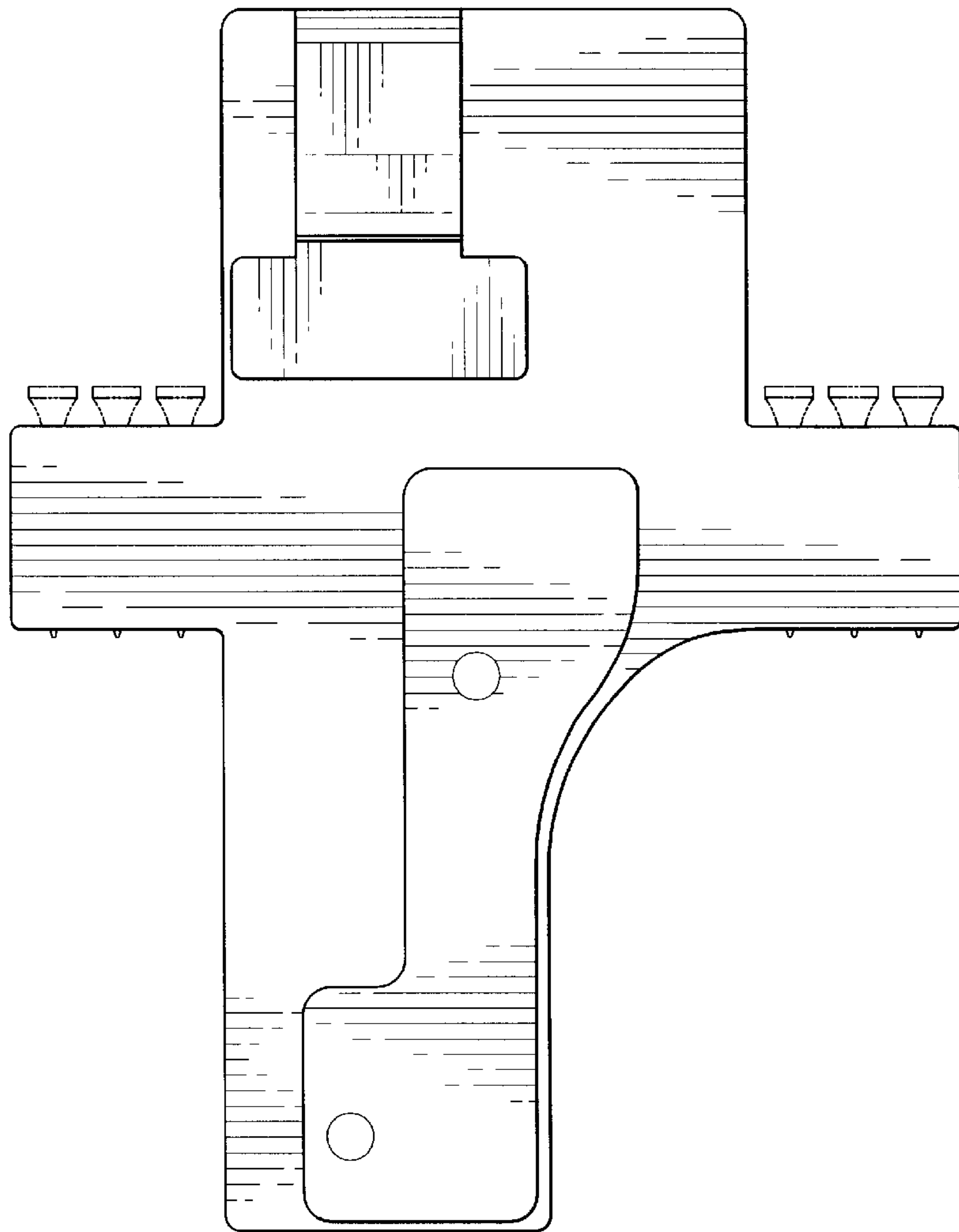


FIG. 13

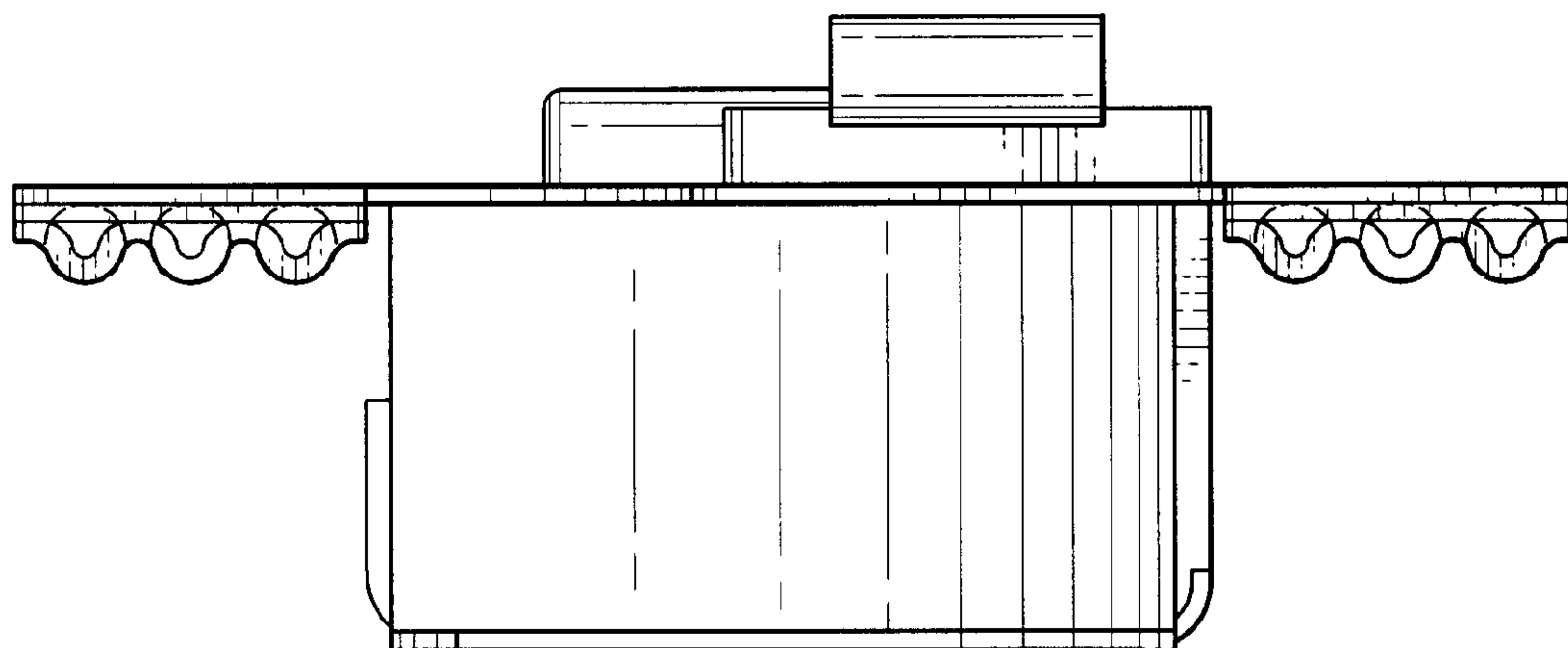


FIG. 14

