

US00D520734S

(12) **United States Design Patent**
Henning et al.

(10) **Patent No.:** **US D520,734 S**

(45) **Date of Patent:** **** May 16, 2006**

(54) **CASE**

(75) Inventors: **Peter H. Henning**, Sugar Grove, IL (US); **Robert Charles Rath**, Geneva, IL (US); **Jeffrey Alan Rustemeyer**, Naperville, IL (US); **Dennis E. Bahl**, Somonauk, IL (US); **Jesus Roberto Montenegro**, Plano, IL (US); **Shawn O'Neill Barrett**, Libertyville, IL (US); **Paul Bond**, Chicago, IL (US); **William C. Cesaroni**, Glenview, IL (US); **Robert J. Yunger**, Naperville, IL (US)

(73) Assignee: **Plano Molding Company**, Plano, IL (US)

(**) Term: **14 Years**

(21) Appl. No.: **29/203,306**

(22) Filed: **Apr. 13, 2004**

(51) **LOC (8) Cl.** **03-01**

(52) **U.S. Cl.** **D3/81; D3/91**

(58) **Field of Classification Search** D3/273, D3/276, 281, 291, 294, 295, 905; 206/349, 206/372, 373; 312/902; 220/324, 326; 190/100, 190/109, 111

See application file for complete search history.

(56) **References Cited**

U.S. PATENT DOCUMENTS

D328,818 S * 8/1992 Hanna et al. D3/281

5,193,706 A * 3/1993 Hanna et al. 220/324
D378,874 S * 4/1997 Dickinson et al. D3/281
D402,111 S * 12/1998 Dickinson et al. D3/281
D404,916 S * 2/1999 Dickinson et al. D3/281
D416,682 S * 11/1999 Tanji D3/294
D417,956 S * 12/1999 Story et al. D3/295
D418,294 S * 1/2000 Tanji D3/276
D424,297 S * 5/2000 Story et al. D3/281
D453,624 S * 2/2002 Itzkovitch D3/276
D493,034 S * 7/2004 Bar-Erez D3/295

* cited by examiner

Primary Examiner—Philip S. Hyder

(74) *Attorney, Agent, or Firm*—Vedder, Price, Kaufman & Krumholz, P.C.

(57) **CLAIM**

The ornamental design for a case, as shown and described.

DESCRIPTION

FIG. 1 is a perspective view of a case showing the new design;

FIG. 2 is a front elevational view;

FIG. 3 is a right elevational side view;

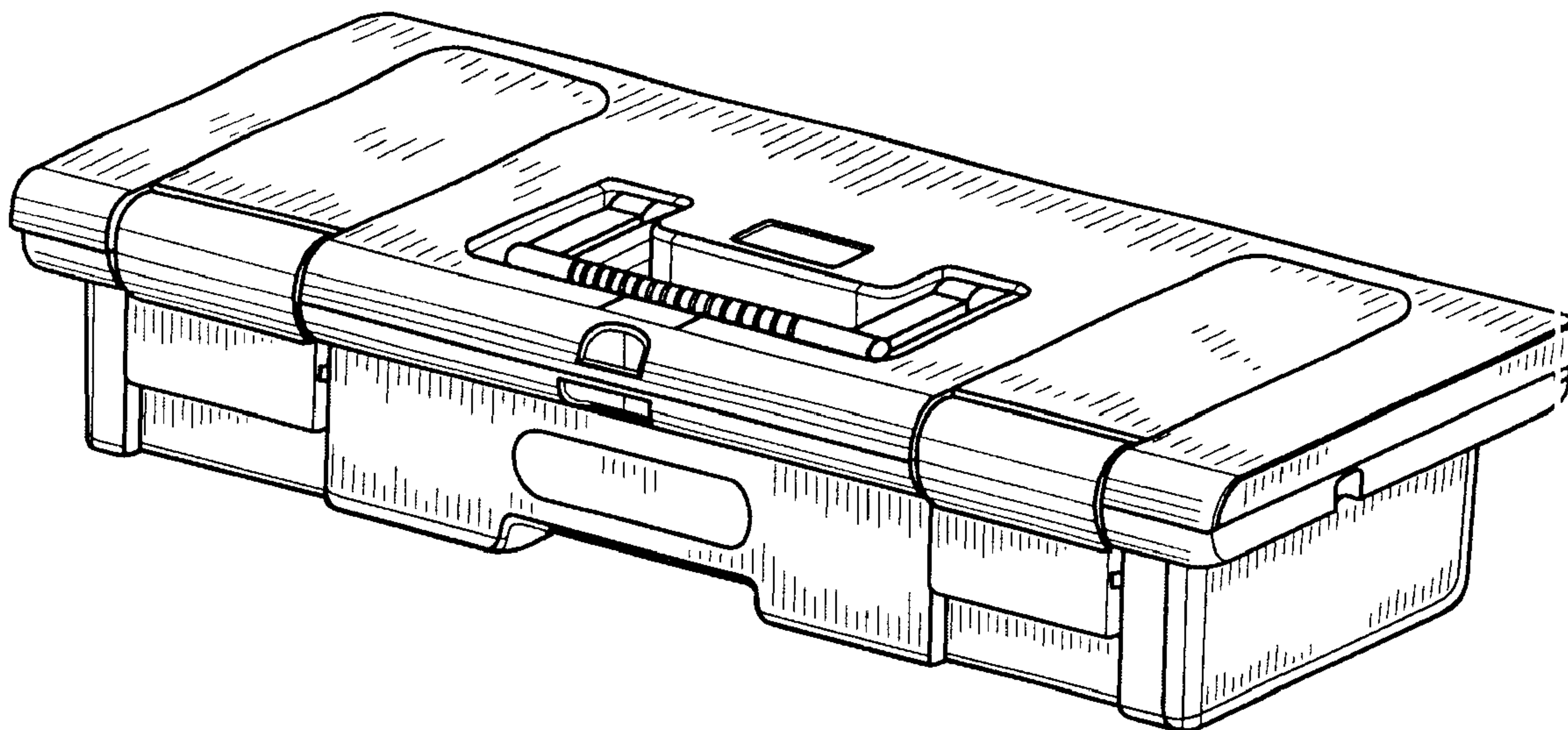
FIG. 4 is a rear elevational view;

FIG. 5 is a left elevational side view;

FIG. 6 is a top plan view; and,

FIG. 7 is a bottom plan view.

1 Claim, 3 Drawing Sheets



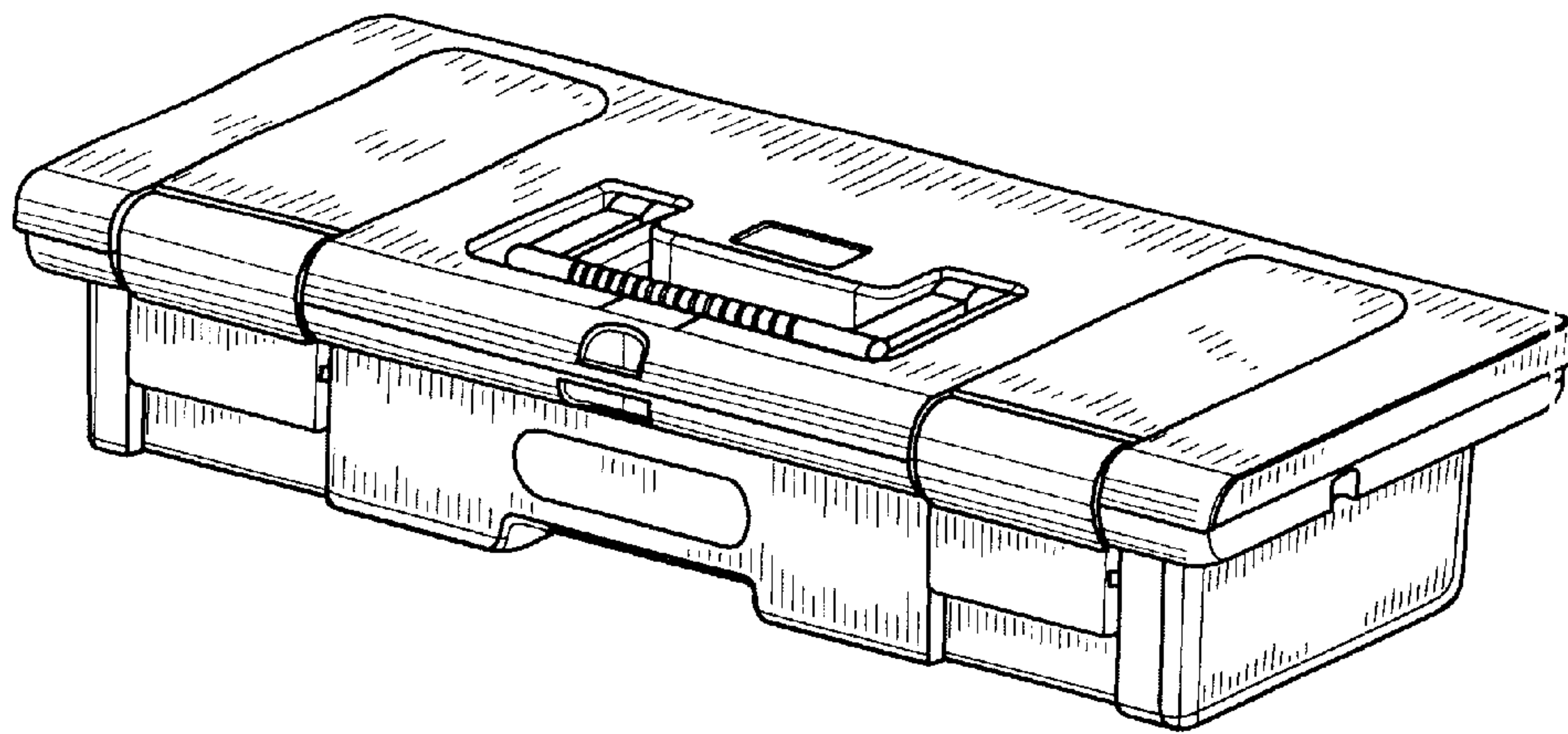


FIG. 1

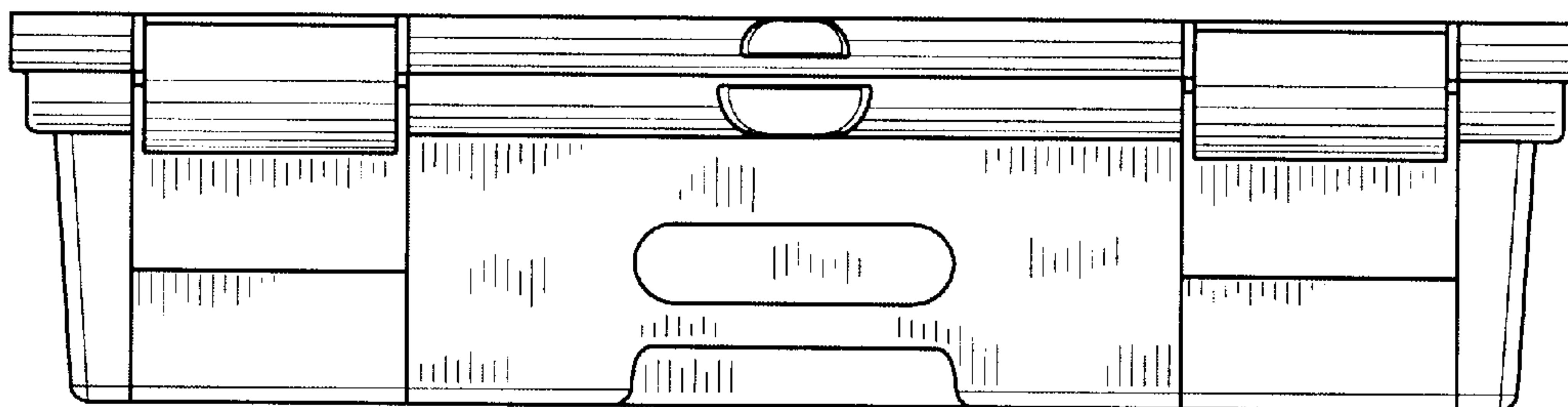


FIG. 2

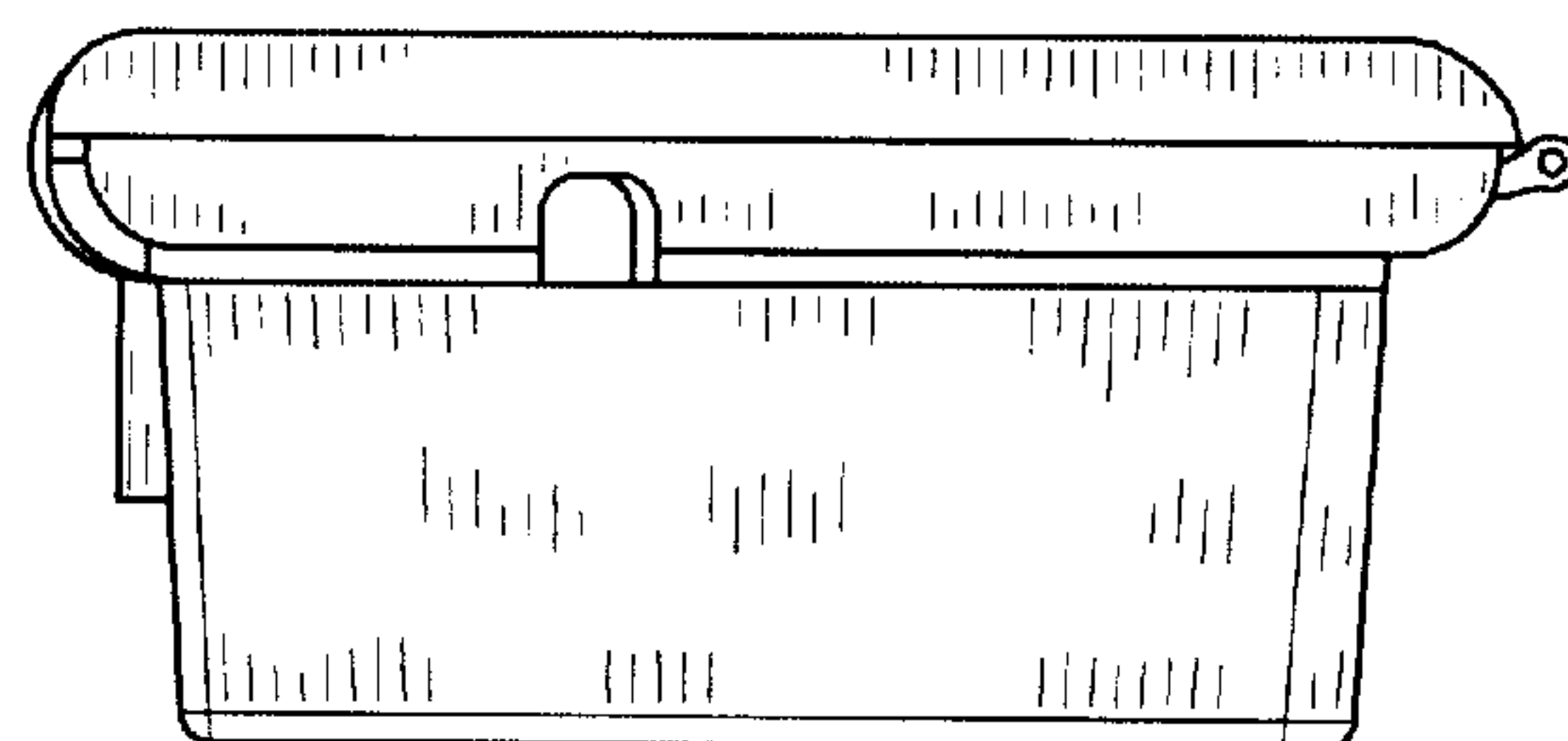


FIG. 3

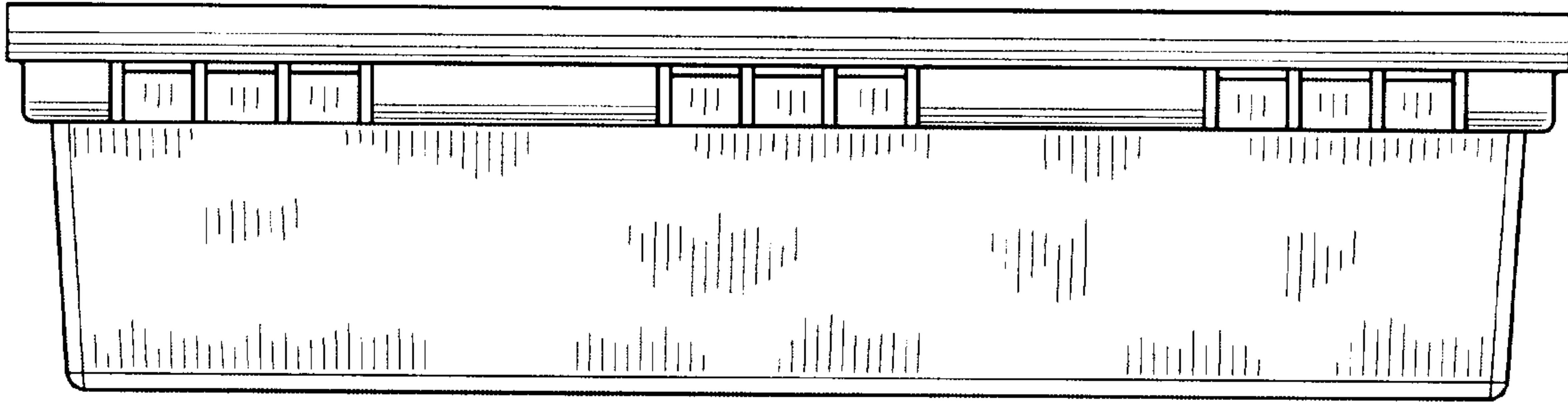


FIG. 4

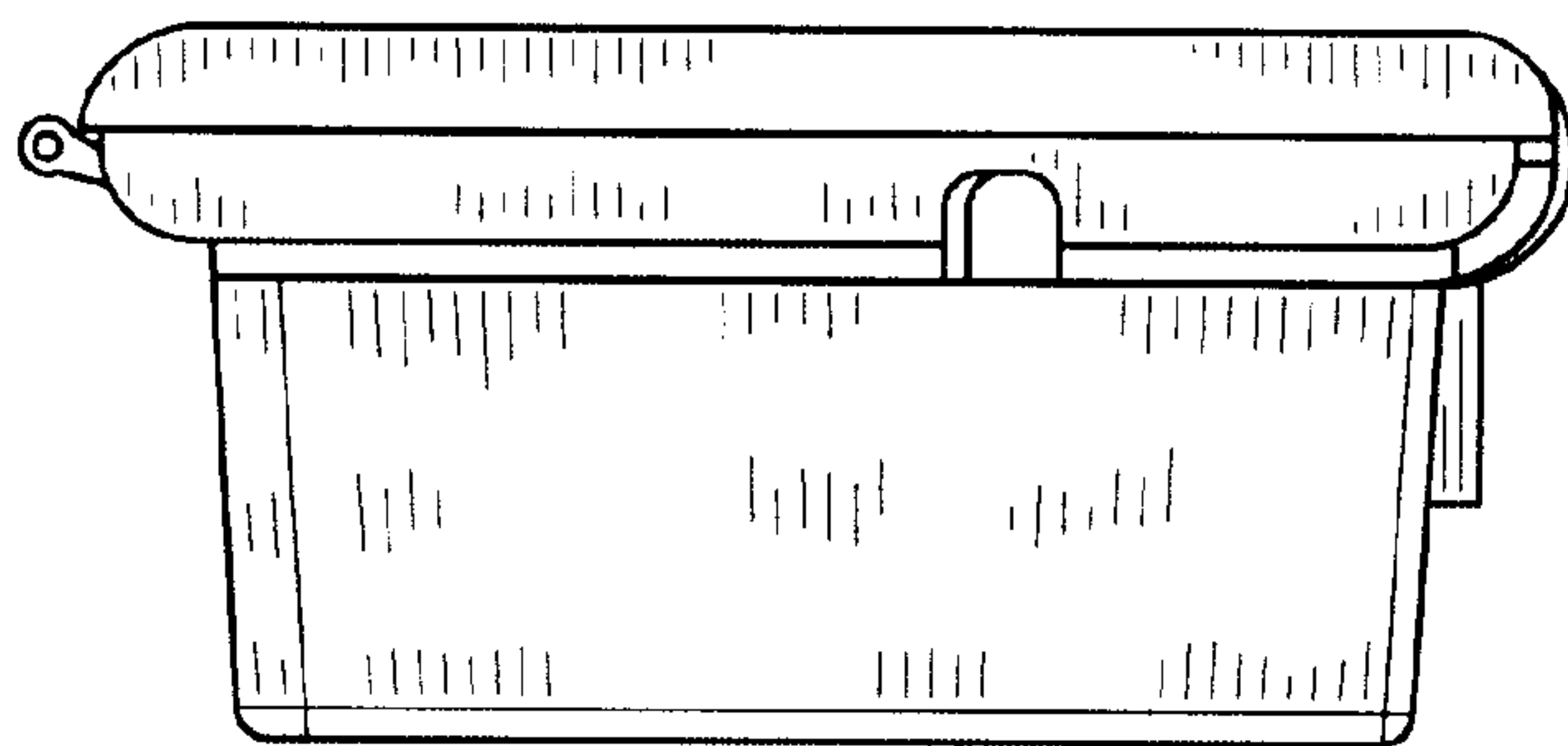


FIG. 5

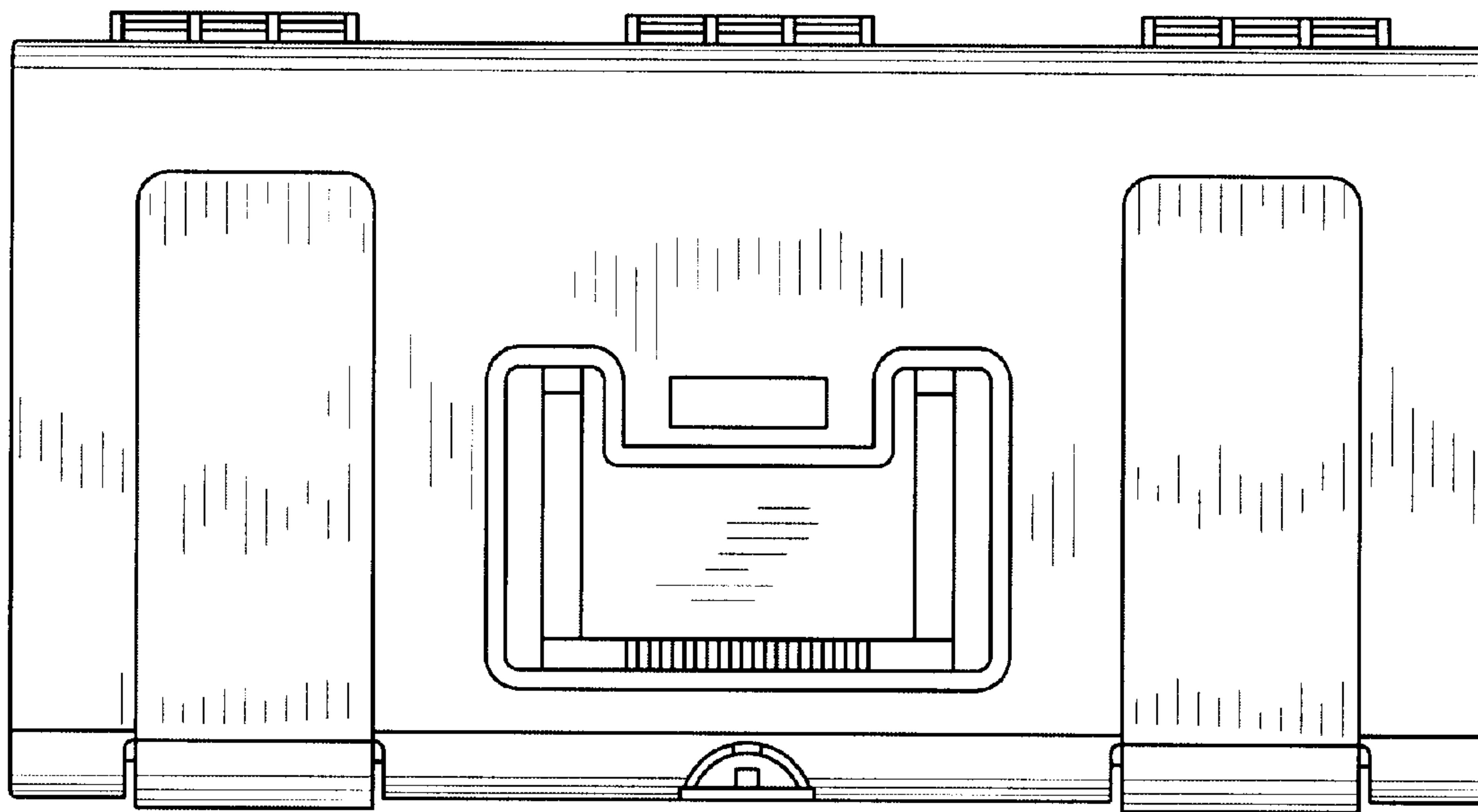


FIG. 6

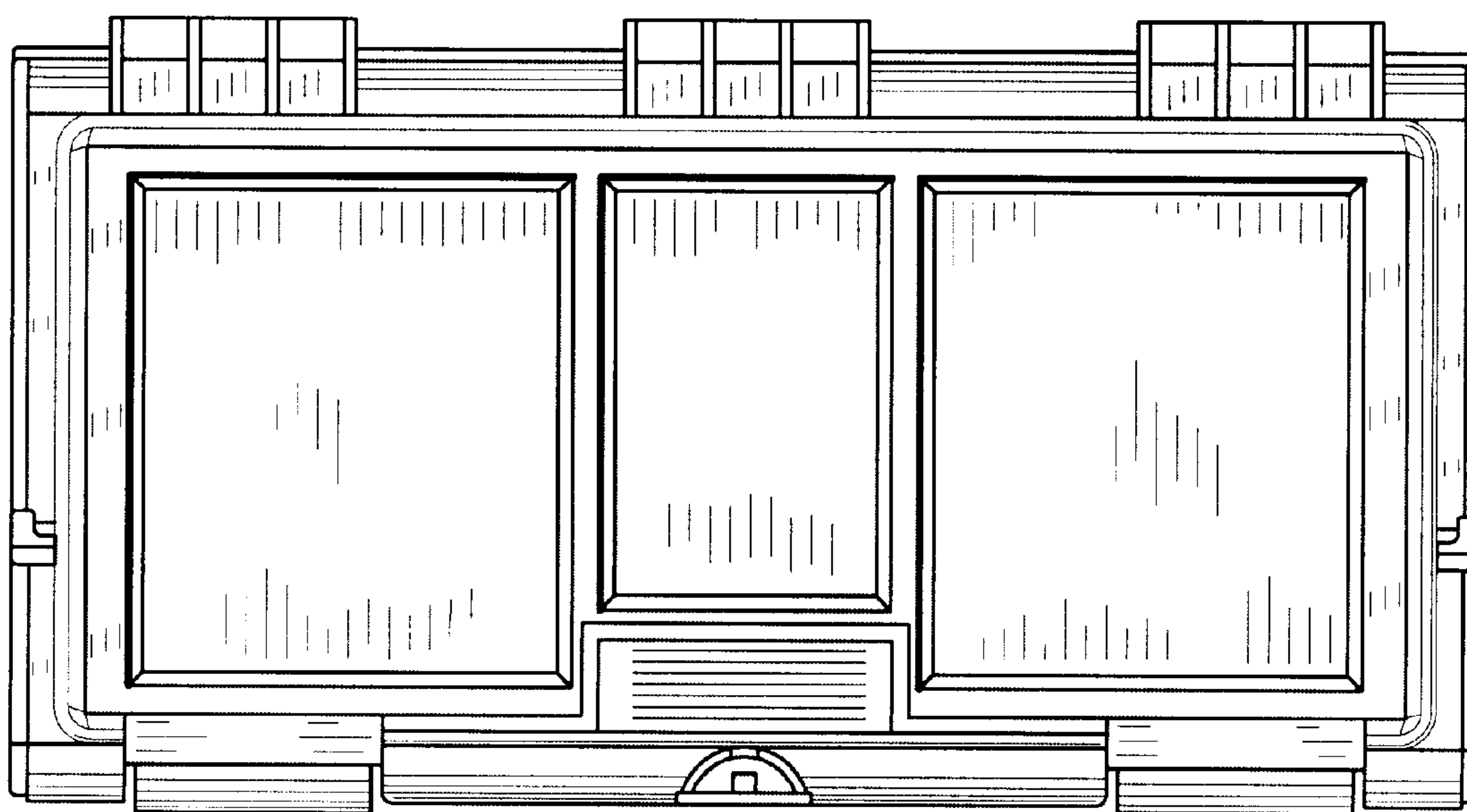


FIG. 7