

US00D520708S

(12) **United States Design Patent** (10) **Patent No.:** **US D520,708 S**
Allen (45) **Date of Patent:** **** May 9, 2006**

(54) **MOTORCYCLE SLIDER**

(76) Inventor: **Keith Allen**, 431 Lynn St., Oviedo, FL
(US) 32765

(**) Term: **14 Years**

(21) Appl. No.: **29/203,680**

(22) Filed: **Apr. 17, 2004**

(51) **LOC (8) Cl.** **12-05**

(52) **U.S. Cl.** **D34/28; D34/23**

(58) **Field of Classification Search** D34/28,
D34/23; 414/430, 426; 280/79.11, 402, 79.4;
269/216, 17; 254/88, 7 B
See application file for complete search history.

(56) **References Cited**

U.S. PATENT DOCUMENTS

RE12,430 E	1/1906	Weber	
D127,916 S	* 6/1941	Whitfield	D34/23
2,247,717 A	* 7/1941	Sutter	414/430
2,552,804 A	* 5/1951	Morris	414/430
2,607,607 A	* 8/1952	Day	280/62
2,610,750 A	9/1952	Hulbert	
3,024,036 A	* 3/1962	Reynolds	280/79.11
3,856,322 A	* 12/1974	Besthorn	280/79.11
4,014,560 A	* 3/1977	Hughes	280/47.131
D250,585 S	* 12/1978	Meis	D34/23
4,350,470 A	9/1982	Murillo	
4,596,506 A	* 6/1986	Burgardt et al.	414/426
4,901,647 A	2/1990	Drabing	
D319,131 S	* 8/1991	Smeitink	D34/23
5,234,307 A	* 8/1993	Scott	414/467
5,249,907 A	* 10/1993	Poten et al.	414/430
D352,586 S	* 11/1994	Baucom	D34/23

D354,598 S	* 1/1995	Poten et al.	D34/23
5,486,014 A	1/1996	Hough	
D377,700 S	* 1/1997	Butler	D34/28
5,609,461 A	3/1997	Lichtenberg	
5,709,520 A	* 1/1998	Pish	414/427
D390,314 S	* 2/1998	Chen	D34/23
6,095,746 A	8/2000	Bergin	
6,179,542 B1	* 1/2001	Haven	414/428
6,287,069 B1	9/2001	Oliphant	
D488,905 S	* 4/2004	DiStaulo	D34/28
D494,335 S	* 8/2004	Oberg	D34/23
D495,107 S	* 8/2004	Thurm	D34/28

* cited by examiner

Primary Examiner—Cynthia E. Ramirez
(74) *Attorney, Agent, or Firm*—Randal D. Homburg

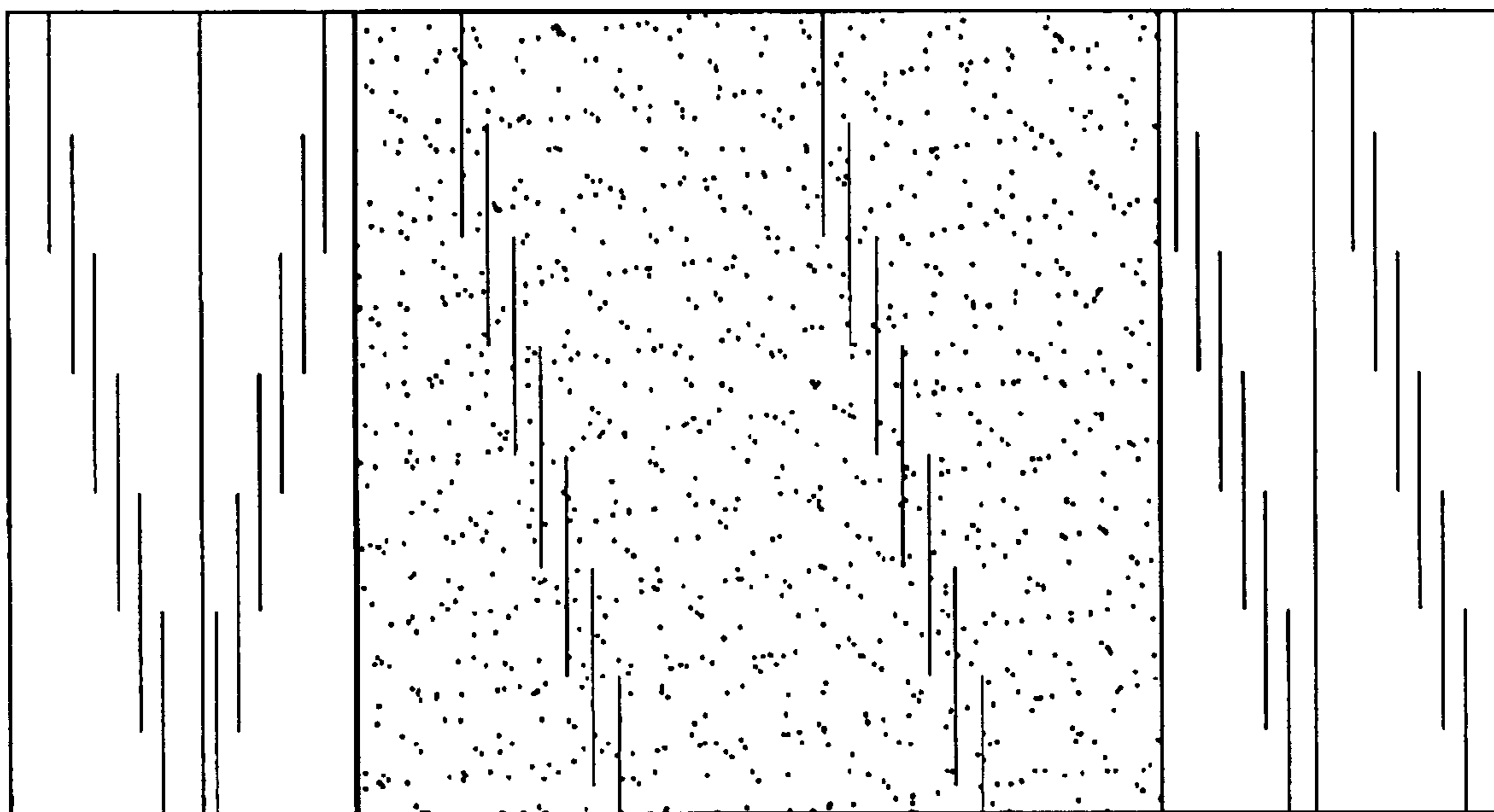
(57) **CLAIM**

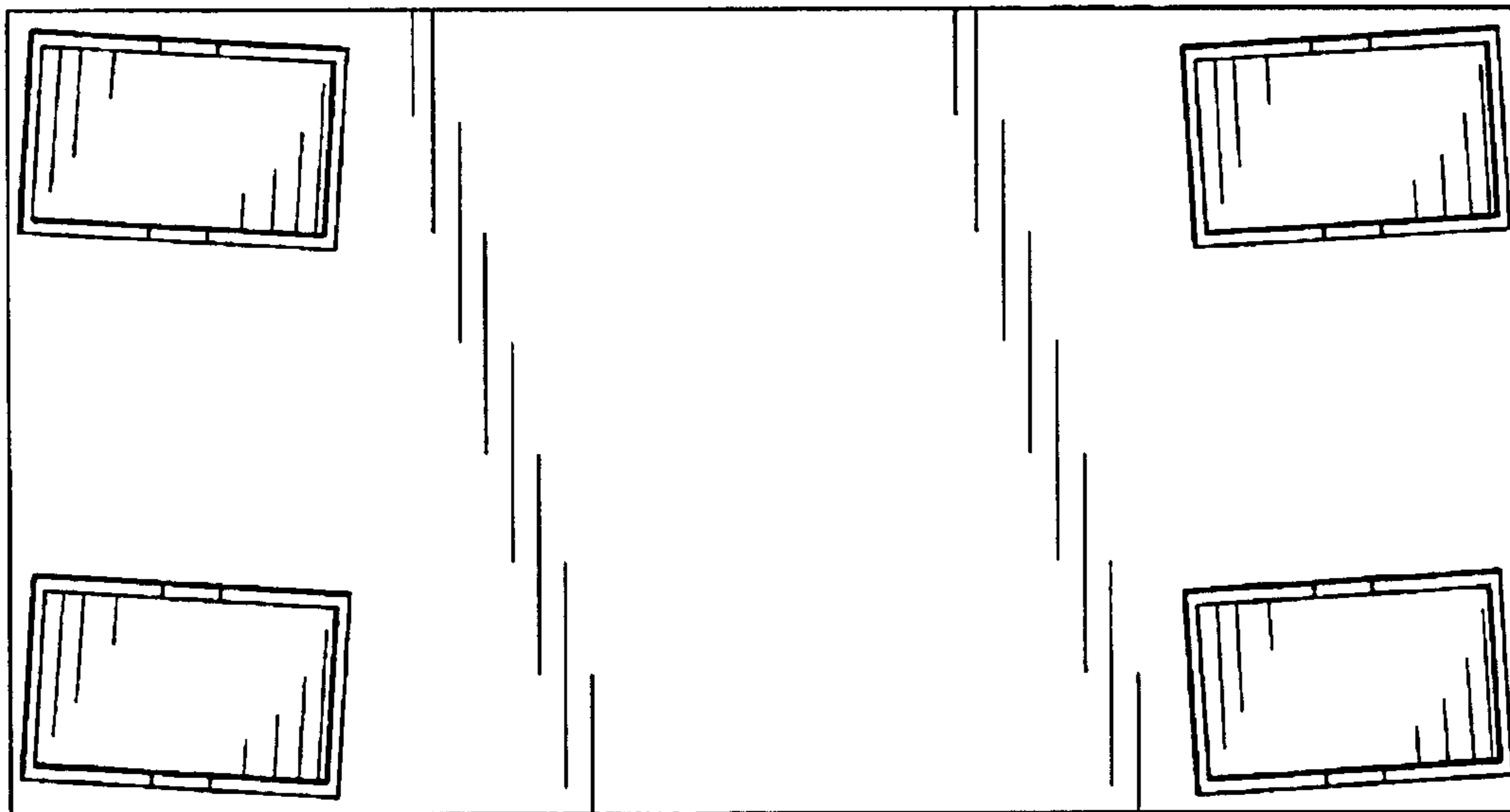
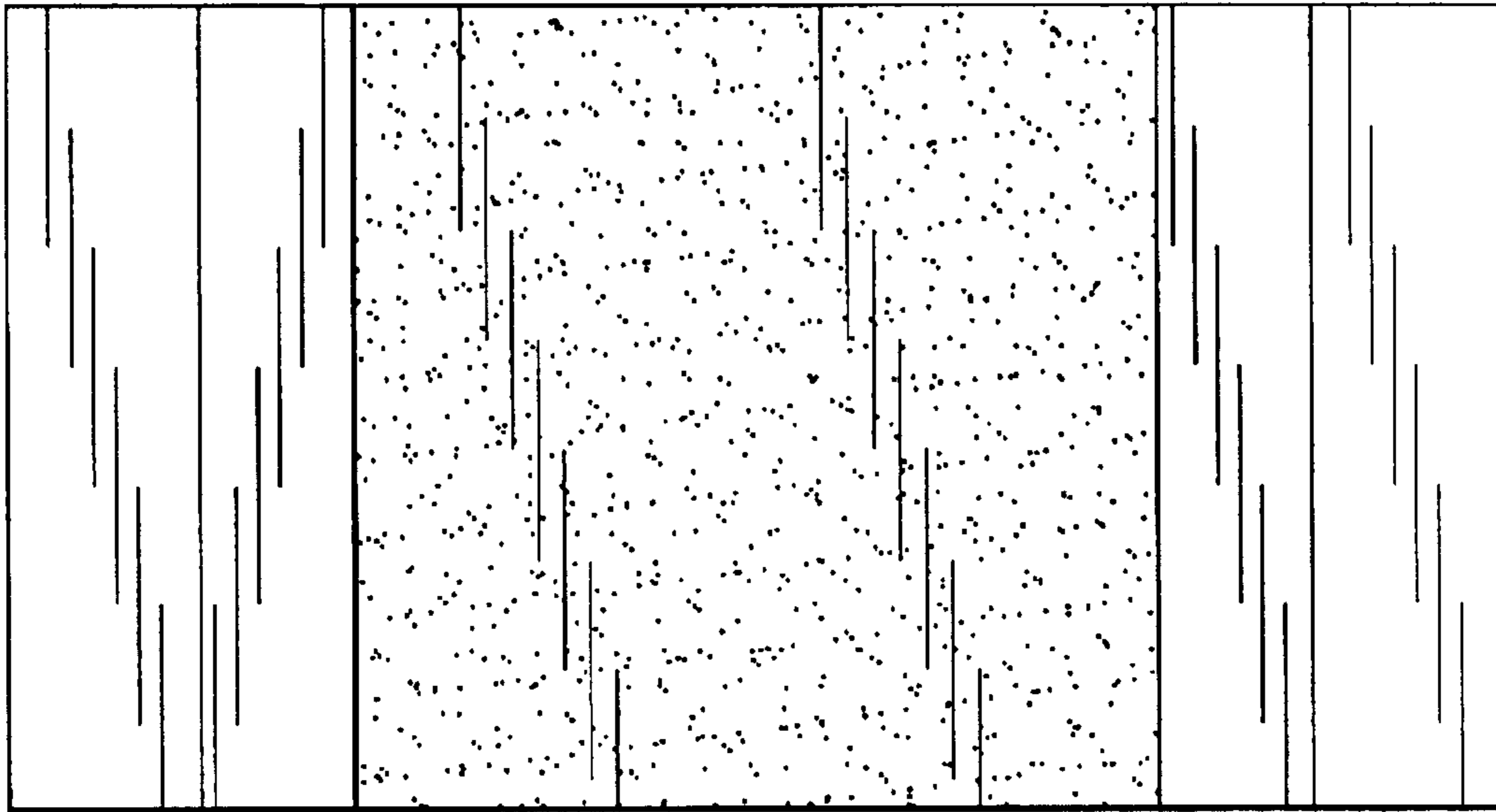
The ornamental design for a motorcycle slider, as shown and described.

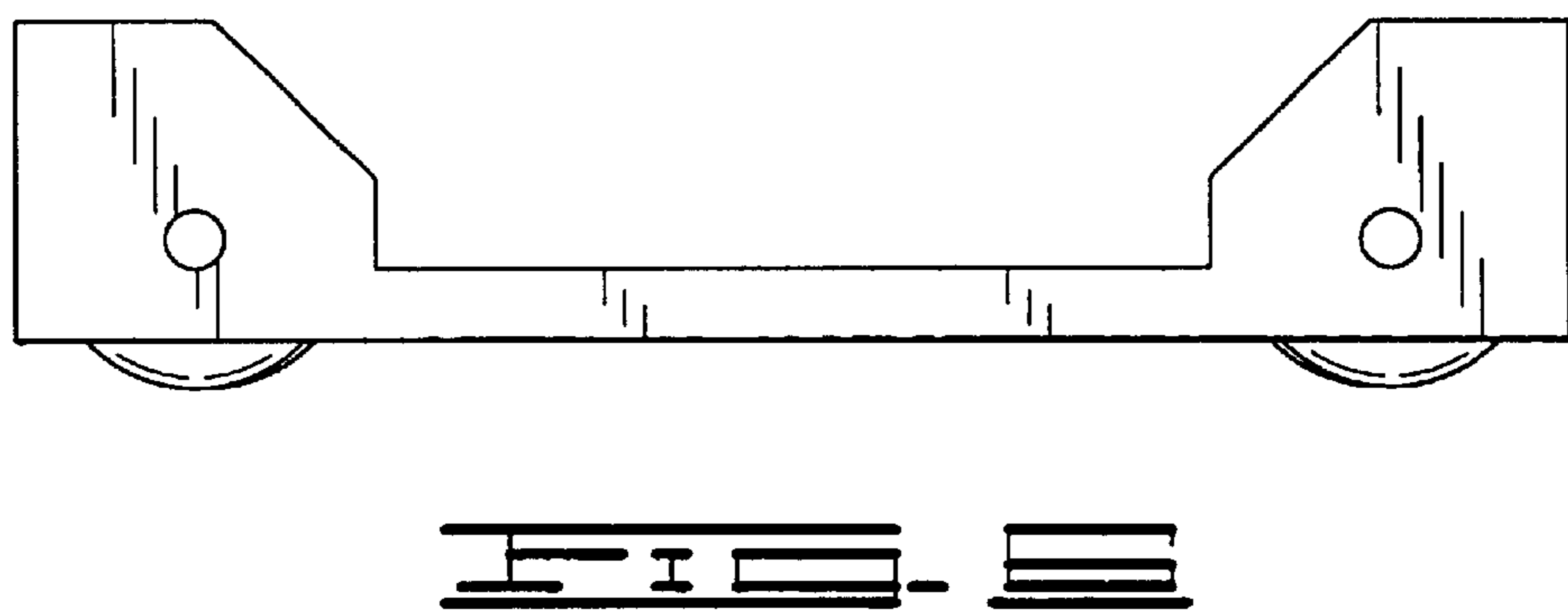
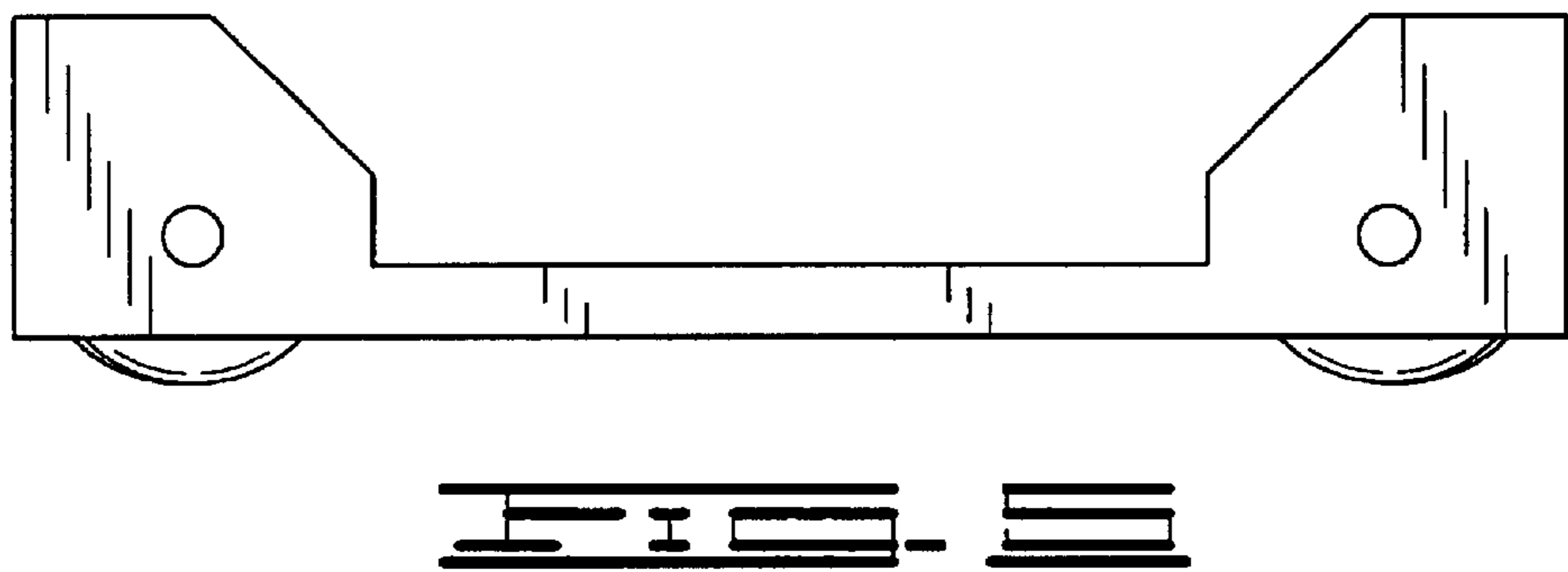
DESCRIPTION

FIG. 1 is a top view of the motorcycle slider.
FIG. 2 is a bottom view of the motorcycle slider.
FIG. 3 is a front view of the motorcycle slider.
FIG. 4 is a rear view of the motorcycle slider.
FIG. 5 is a right side view of the motorcycle slider.
FIG. 6 is a left side view of the motorcycle slider; and,
FIG. 7 is a top perspective view of the motorcycle slide with phantom lines indicating the environment in which the motorcycle slider is used.
The broken line showing of a wheel in FIG. 7 is for illustrative purposes only and forms no part of the claimed design.

1 Claim, 3 Drawing Sheets







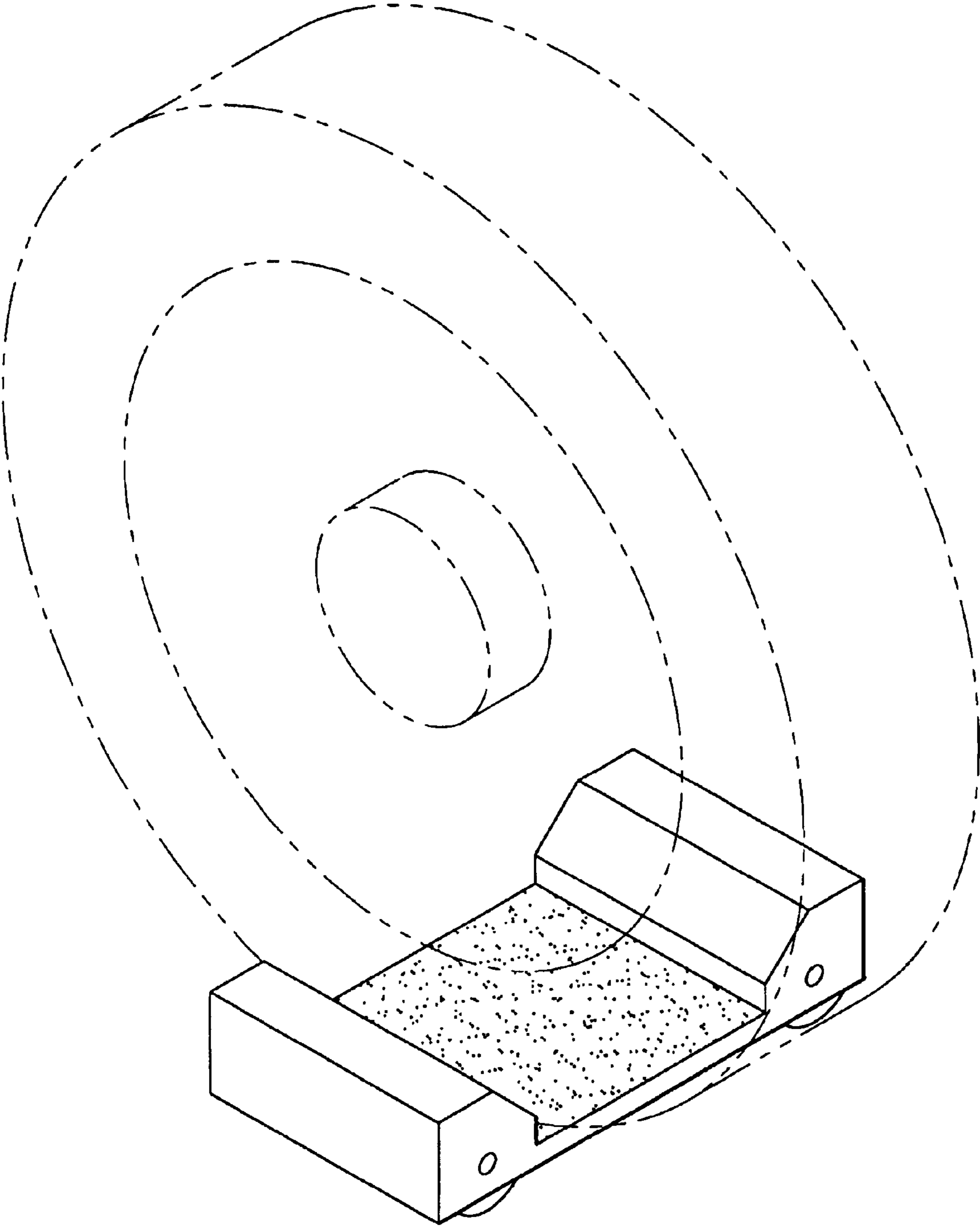


FIG. 2