

US00D520706S

(12) **United States Design Patent**
Brekke

(10) **Patent No.:** **US D520,706 S**

(45) **Date of Patent:** **** May 9, 2006**

(54) **GOLF CART**

(75) Inventor: **Bruce Brekke**, Las Vegas, NV (US)

(73) Assignee: **Strokin, LLC**, Chaska, MN (US)

(**) Term: **14 Years**

(21) Appl. No.: **29/233,902**

(22) Filed: **Jul. 11, 2005**

(51) **LOC (8) Cl.** **12-13**

(52) **U.S. Cl.** **D34/15**

(58) **Field of Classification Search** D34/12-27;
280/33.991-4, 47.17, 47.18, 47.24, 47.26,
280/47.34, 47.39, 47.4, 47.131, 645, 651,
280/652, 654, 655; 224/274; 180/19.1, 19.3,
180/215, 216, 907; 248/96, 98, 128, 129;
211/70.2

See application file for complete search history.

(56) **References Cited**

U.S. PATENT DOCUMENTS

D391,731 S * 3/1998 Wu D34/15
D448,906 S * 10/2001 Wu D34/15
D462,152 S * 8/2002 Liao D34/15

6,698,789 B1 * 3/2004 Reimers et al. 280/651
D488,279 S * 4/2004 Wu D34/15
2001/0033070 A1 * 10/2001 Reimers et al. 280/651

* cited by examiner

Primary Examiner—Freda Nunn

Assistant Examiner—Kevin Rudzinski

(74) *Attorney, Agent, or Firm*—Fredrikson & Byron, P.A.

(57) **CLAIM**

I claim the ornamental design for the golf cart, as shown and described.

DESCRIPTION

FIG. 1 is a front, top, right side perspective view of the golf cart of my new design;

FIG. 2 is a right side view thereof; the left side being a mirror image thereof;

FIG. 3 is a front view thereof;

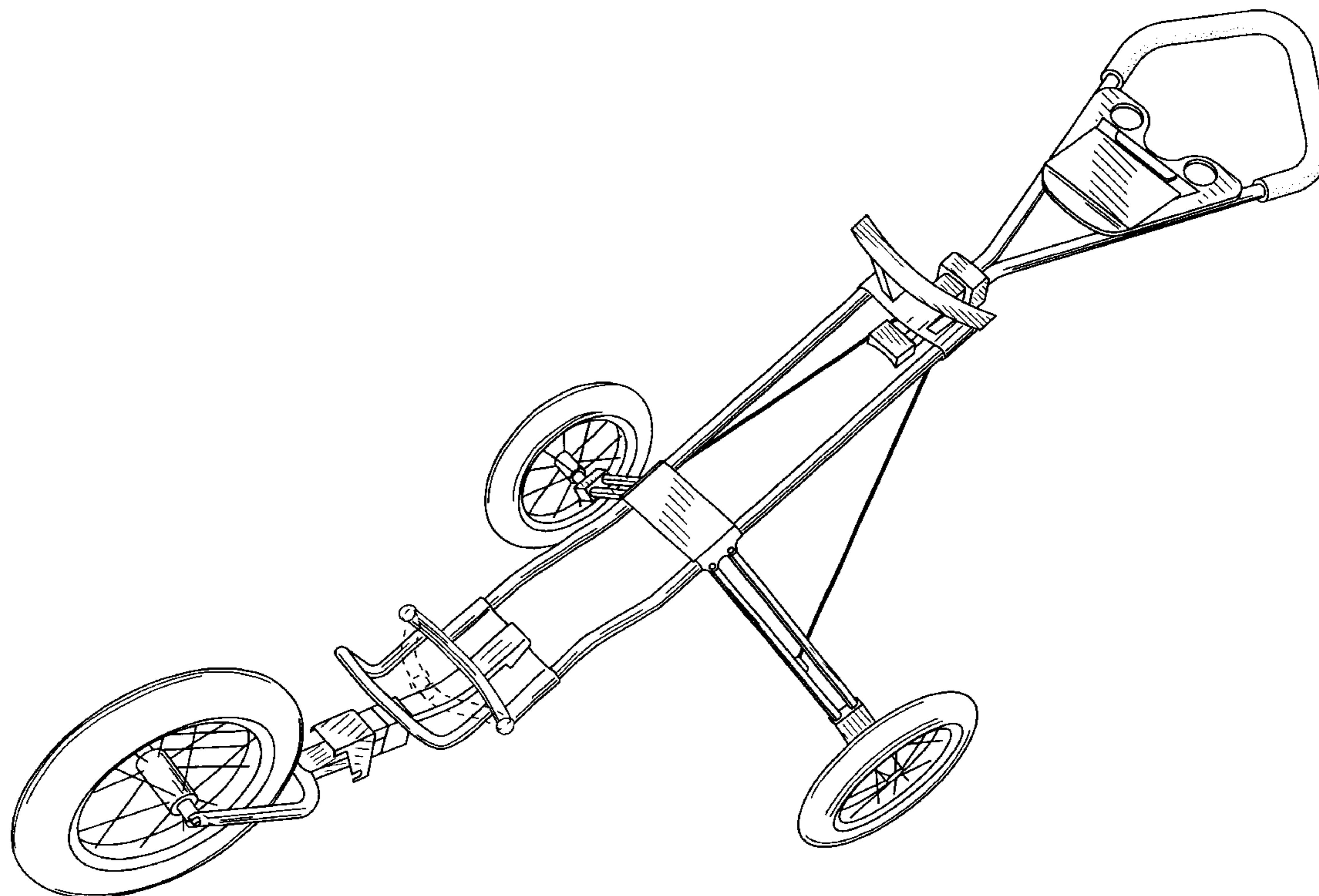
FIG. 4 is a rear view thereof;

FIG. 5 is a top view thereof; and,

FIG. 6 is a bottom view thereof.

Where included, broken lines showing environment or structure are for illustrative purposes only and form no part of the claimed design.

1 Claim, 5 Drawing Sheets



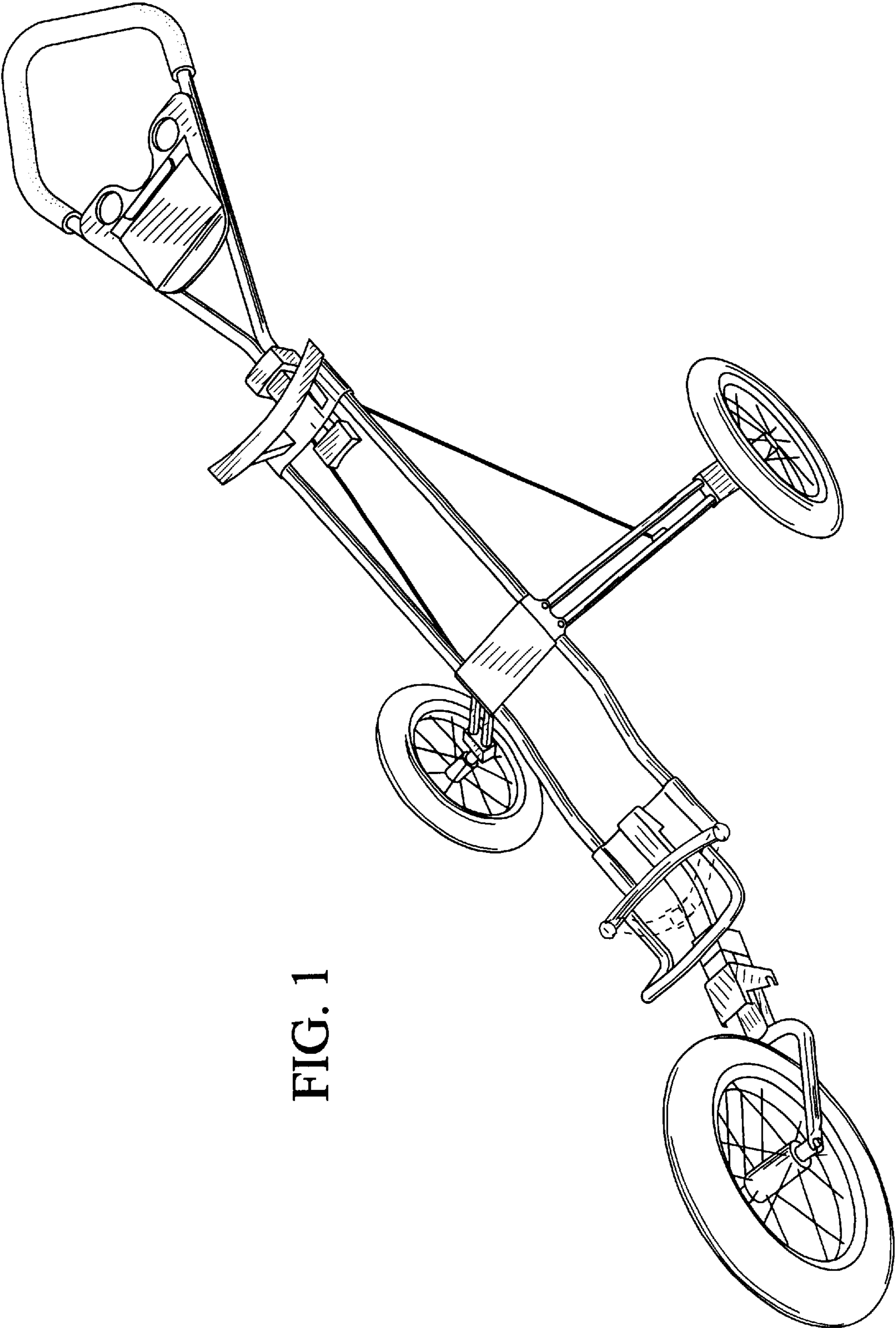


FIG. 1

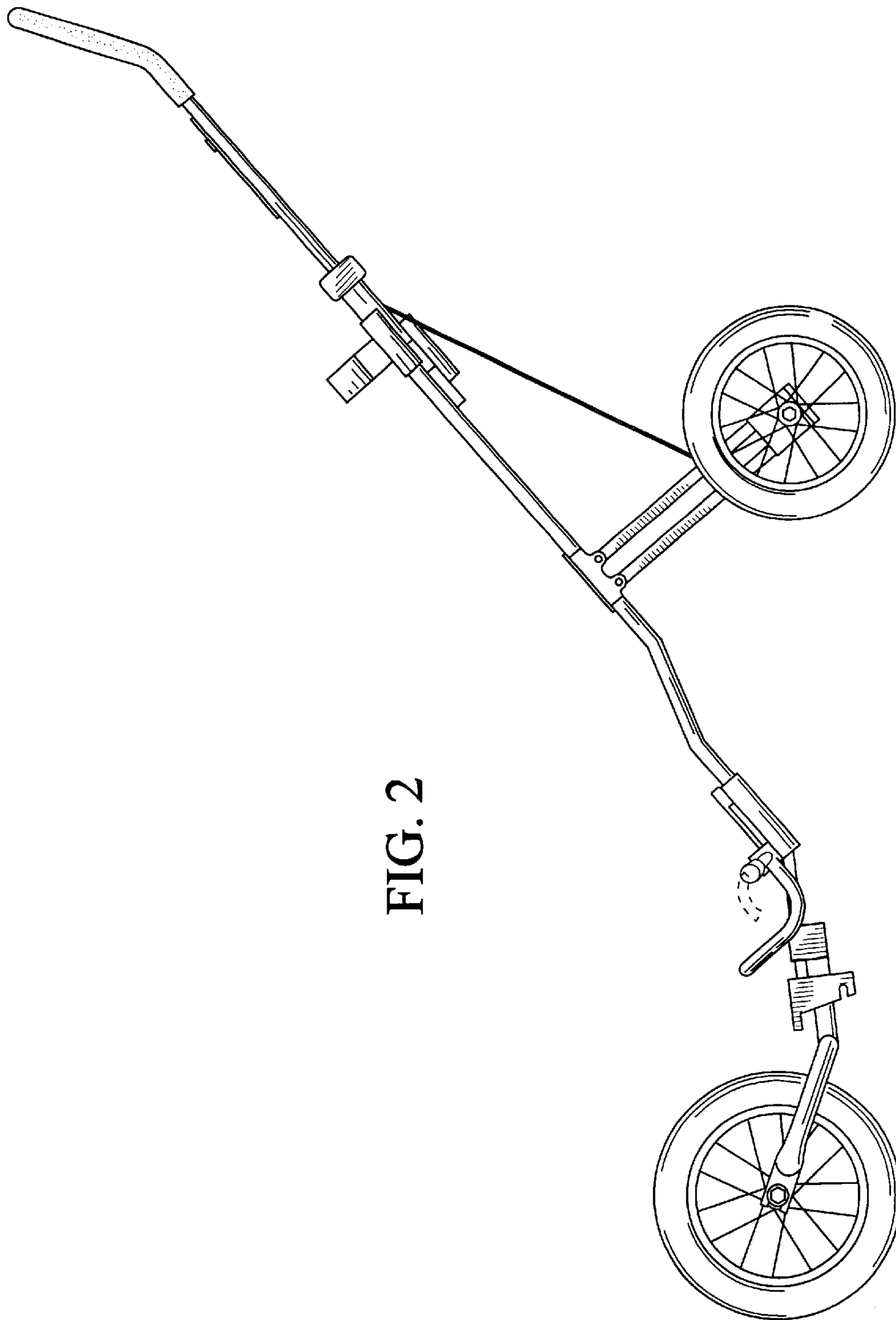
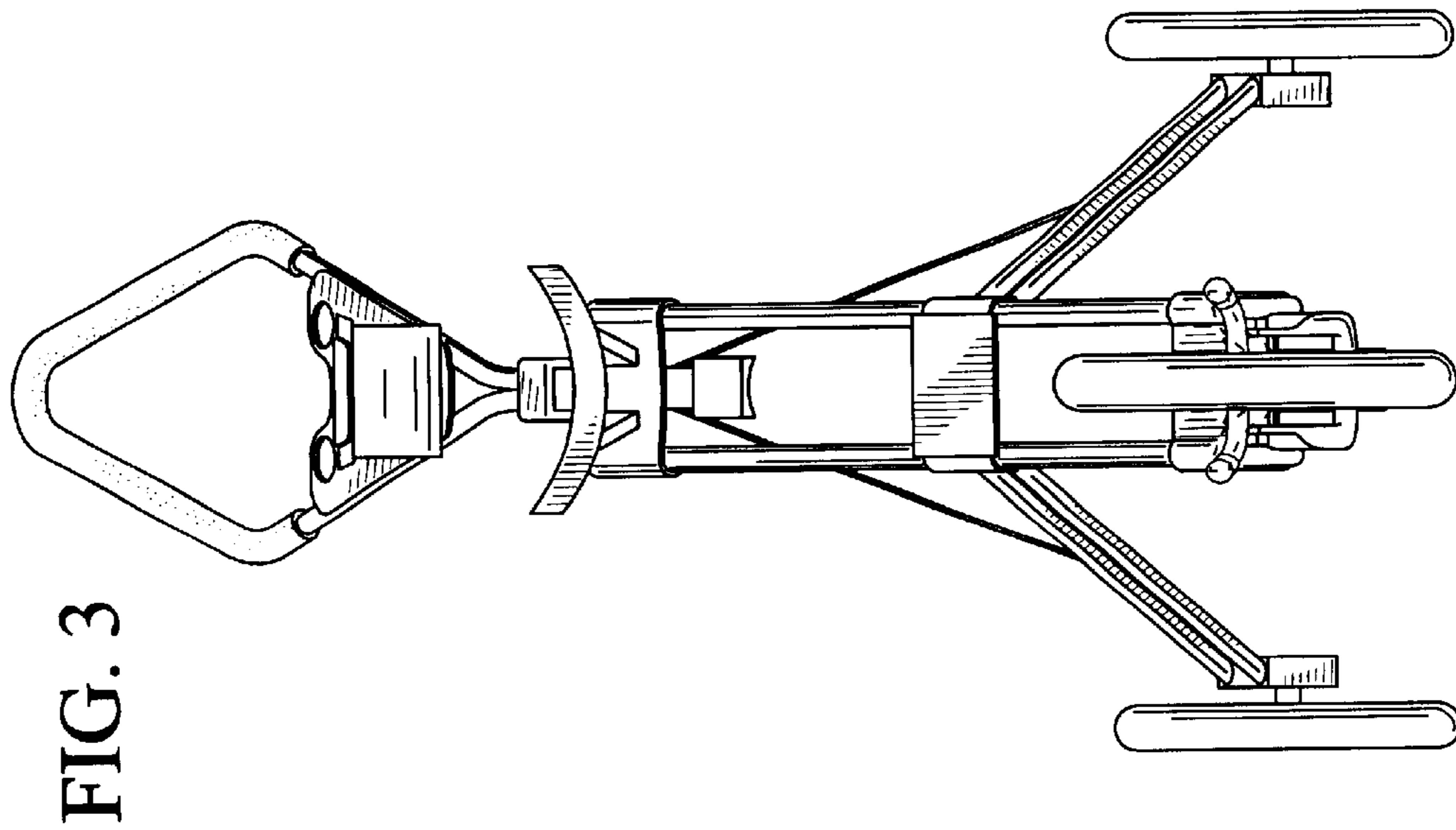
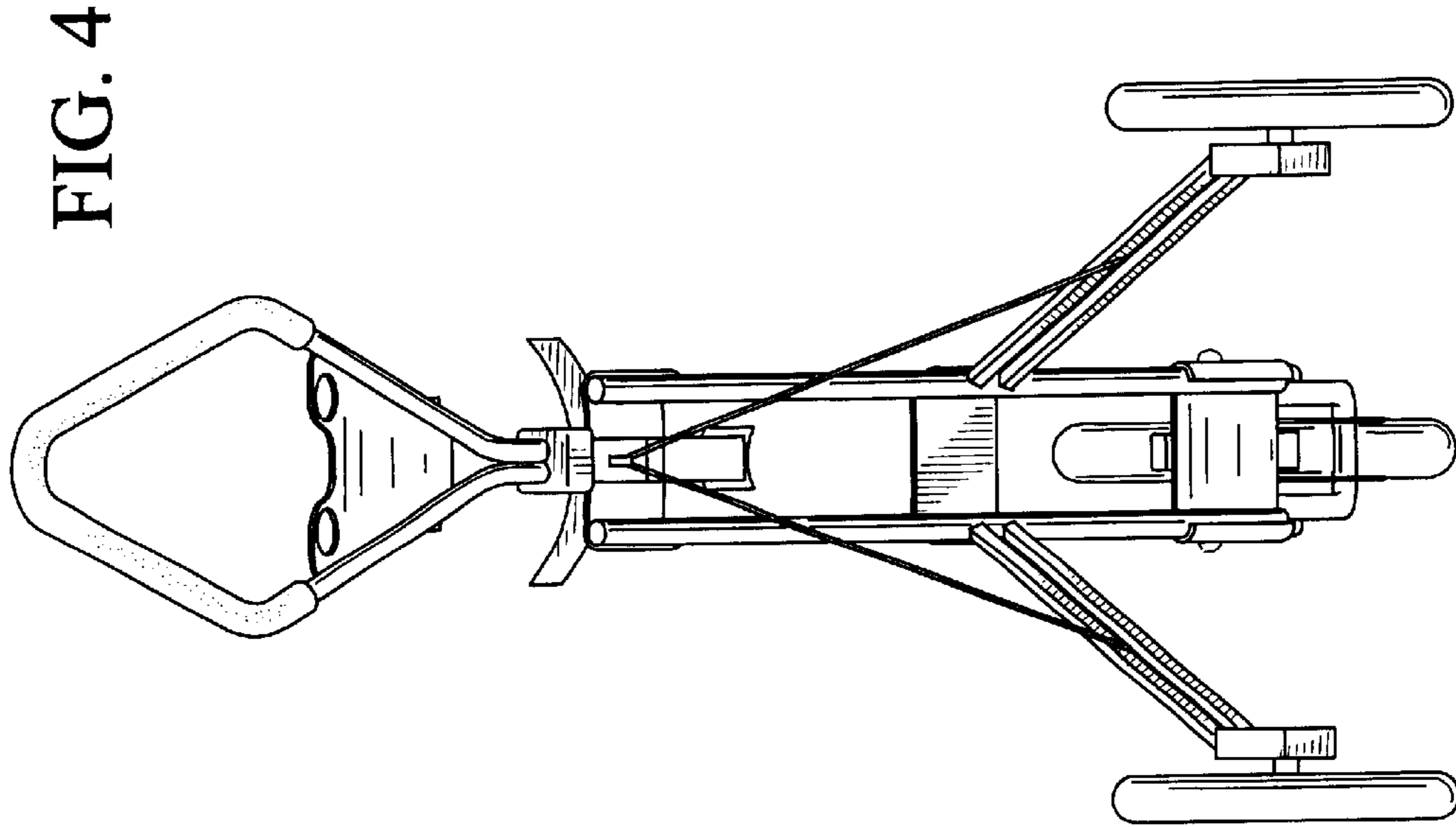


FIG. 2



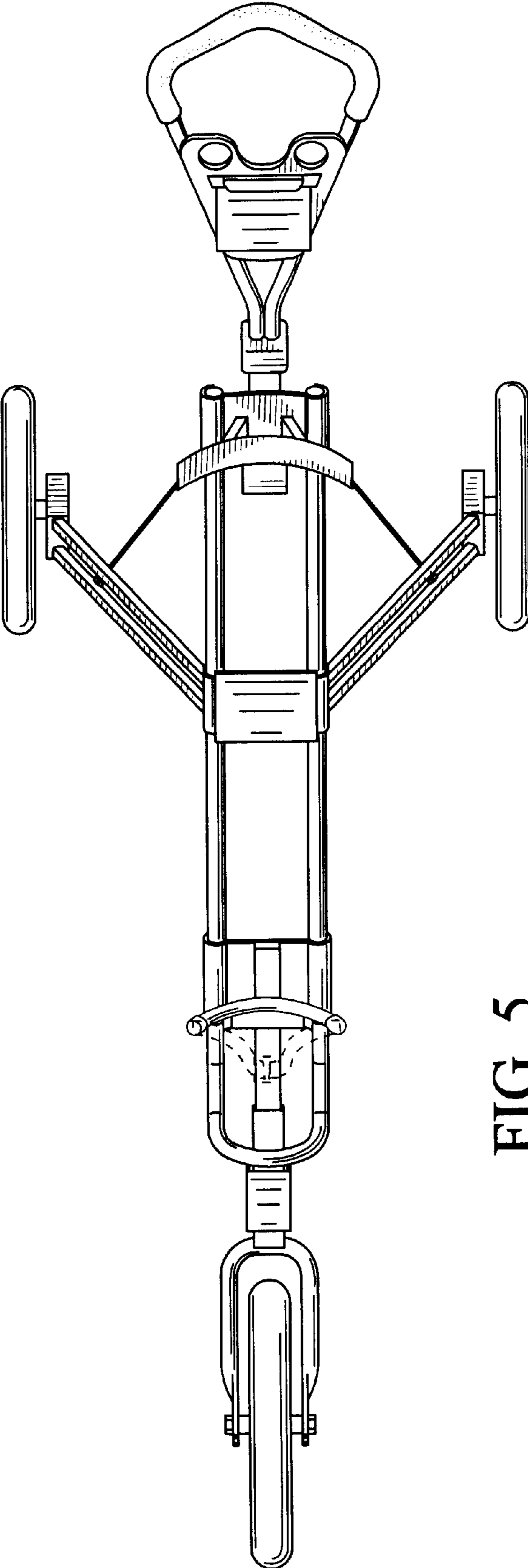


FIG. 5

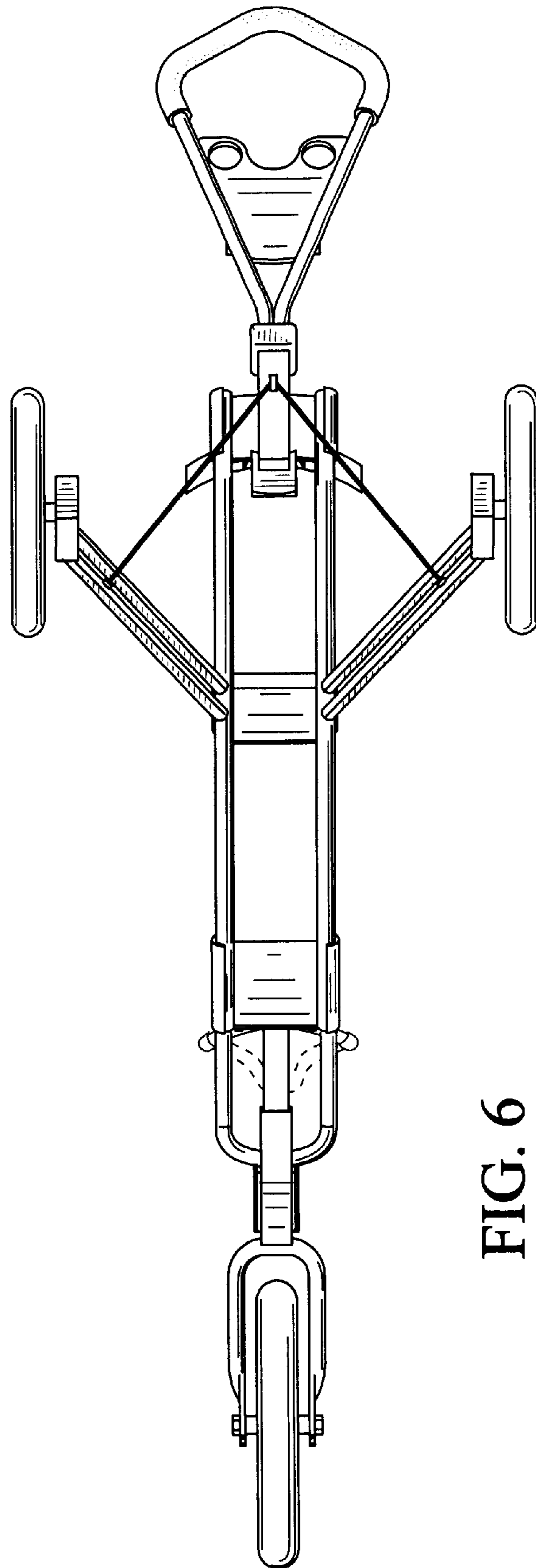


FIG. 6