



US00D520703S

(12) **United States Design Patent**
Nordgren et al.

(10) **Patent No.:** **US D520,703 S**

(45) **Date of Patent:** **** May 9, 2006**

(54) **COLLECTOR BIN**

(75) Inventors: **Bradley C. Nordgren**, Medina, MN
(US); **Nathaniel R. Hallee**, St. Louis
Park, MN (US)

(73) Assignee: **NorthGreen Communications, Inc.**,
Excelsior, MN (US)

(**) Term: **14 Years**

(21) Appl. No.: **29/204,716**

(22) Filed: **May 3, 2004**

(51) **LOC (8) Cl.** **09-09**

(52) **U.S. Cl.** **D34/1; D34/6**

(58) **Field of Classification Search** D34/1,
D34/5, 6; D27/172; D6/524; 220/908, 476,
220/477, 479, 480

See application file for complete search history.

(56) **References Cited**

U.S. PATENT DOCUMENTS

933,833	A	*	9/1909	Bryant	238/112
3,263,854	A	*	8/1966	Powers	232/43.5
3,524,584	A	*	8/1970	Ihlenfeld et al.	232/43.2
D314,457	S	*	2/1991	Berfield et al.	D32/25
5,058,764	A	*	10/1991	Gaba	220/481
D332,679	S	*	1/1993	Hines	D34/6

D332,849	S	*	1/1993	Hines	D34/6
D370,756	S	*	6/1996	Hathaway	D34/6
D377,553	S	*	1/1997	Cozart	D34/1
D381,782	S	*	7/1997	Bright	D34/1
D406,682	S	*	3/1999	Wright	D34/1
D441,493	S	*	5/2001	Weiss et al.	D27/105
D451,255	S	*	11/2001	Schmidt	D34/1
6,817,481	B1	*	11/2004	Alexander	220/476

* cited by examiner

Primary Examiner—Cynthia E. Ramirez

(74) *Attorney, Agent, or Firm*—Dicke, Hillig & Czaja,
PLLC

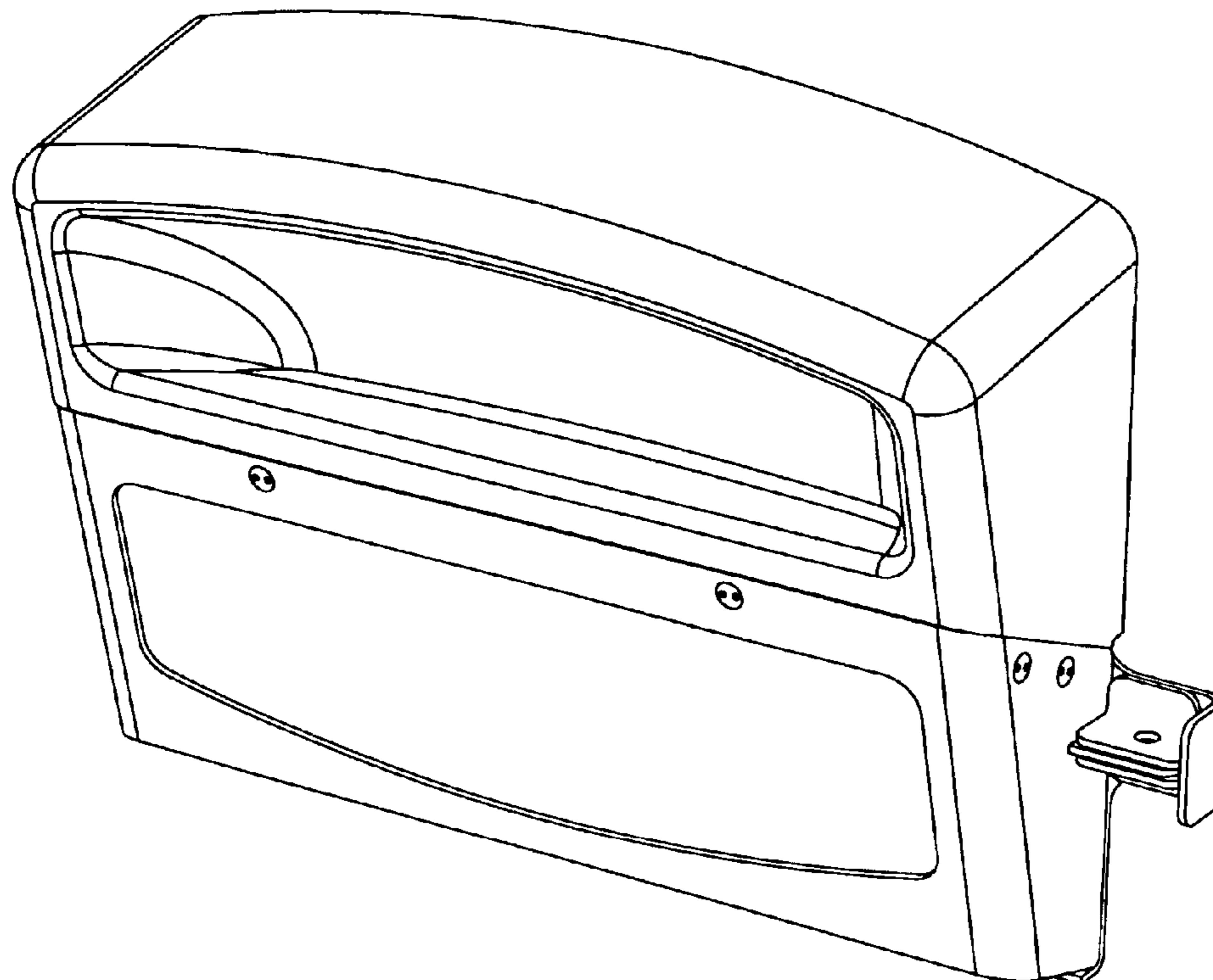
(57) **CLAIM**

The ornamental design for a collector bin, as shown and described.

DESCRIPTION

FIG. 1 is a perspective view of a collector bin according to the principals of the present invention; FIG. 2 is a front view of the collector bin of FIG. 1; FIG. 3 is a rear view of the collector bin of FIG. 1; FIG. 4 is a top view of the collector bin of FIG. 1; FIG. 5 is a bottom view of the collector bin of FIG. 1; FIG. 6 is a right side view of the collector bin of FIG. 1; and, FIG. 7 is a left side view of the collector bin of FIG. 1.

1 Claim, 7 Drawing Sheets



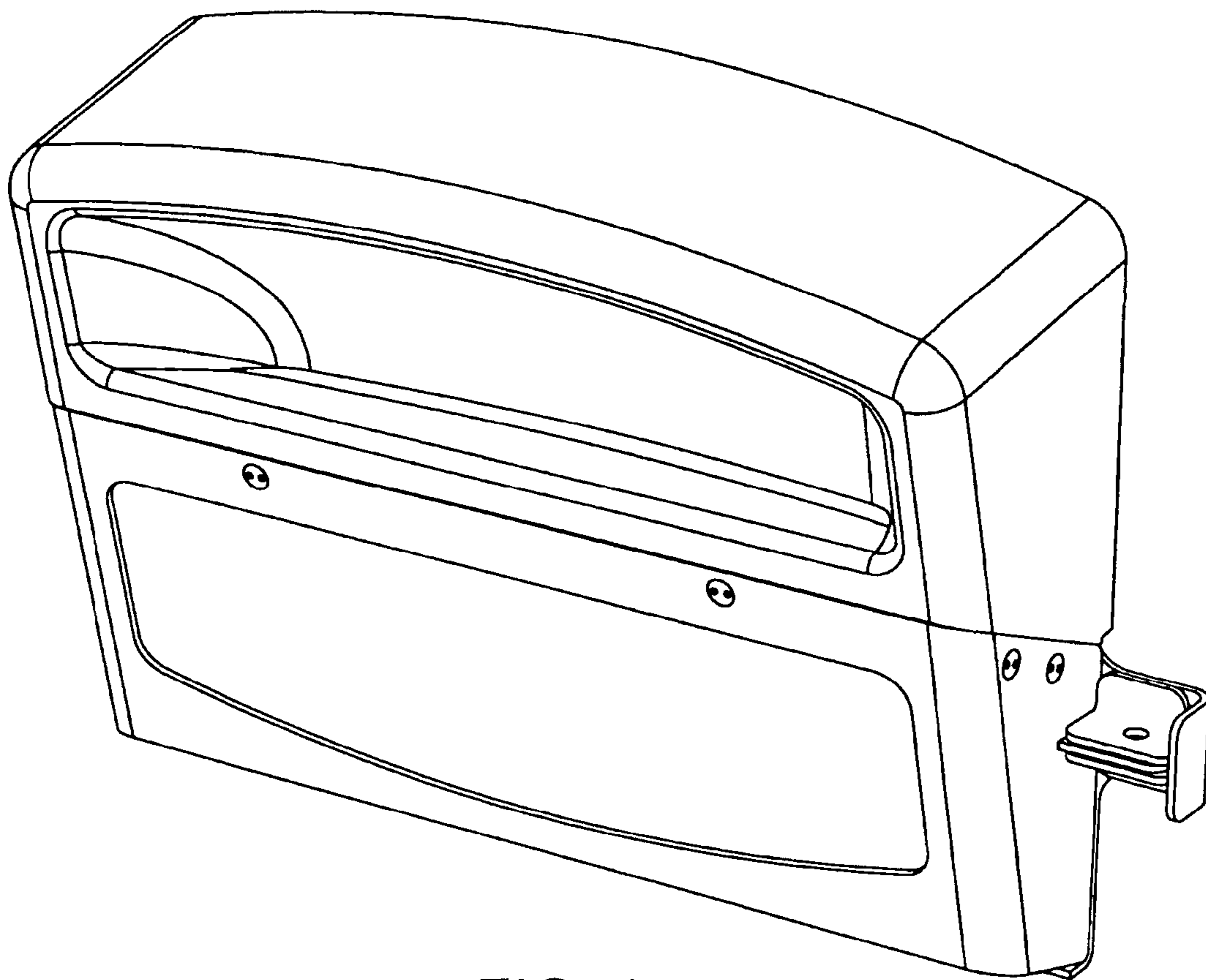


FIG. 1

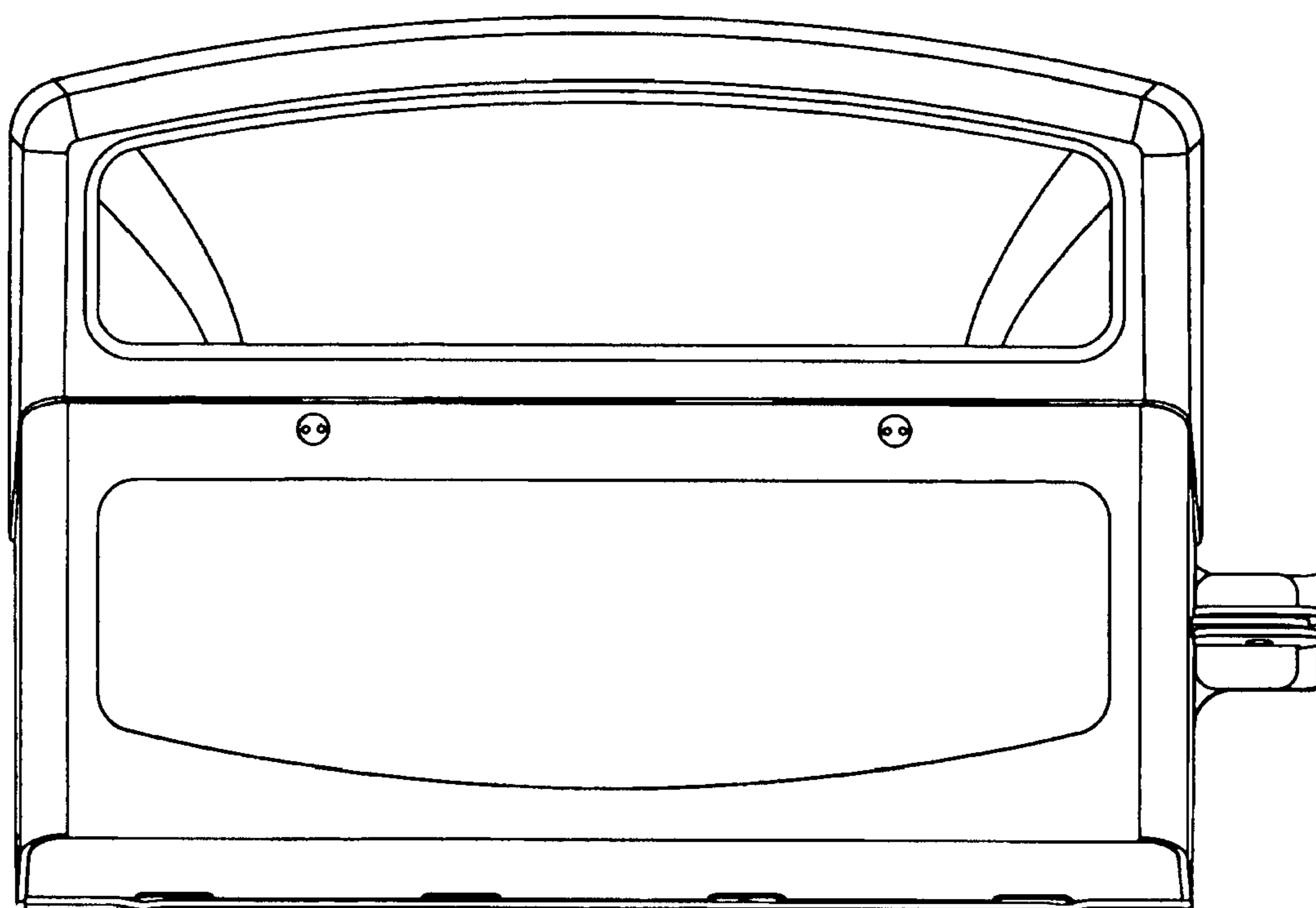


FIG. 2

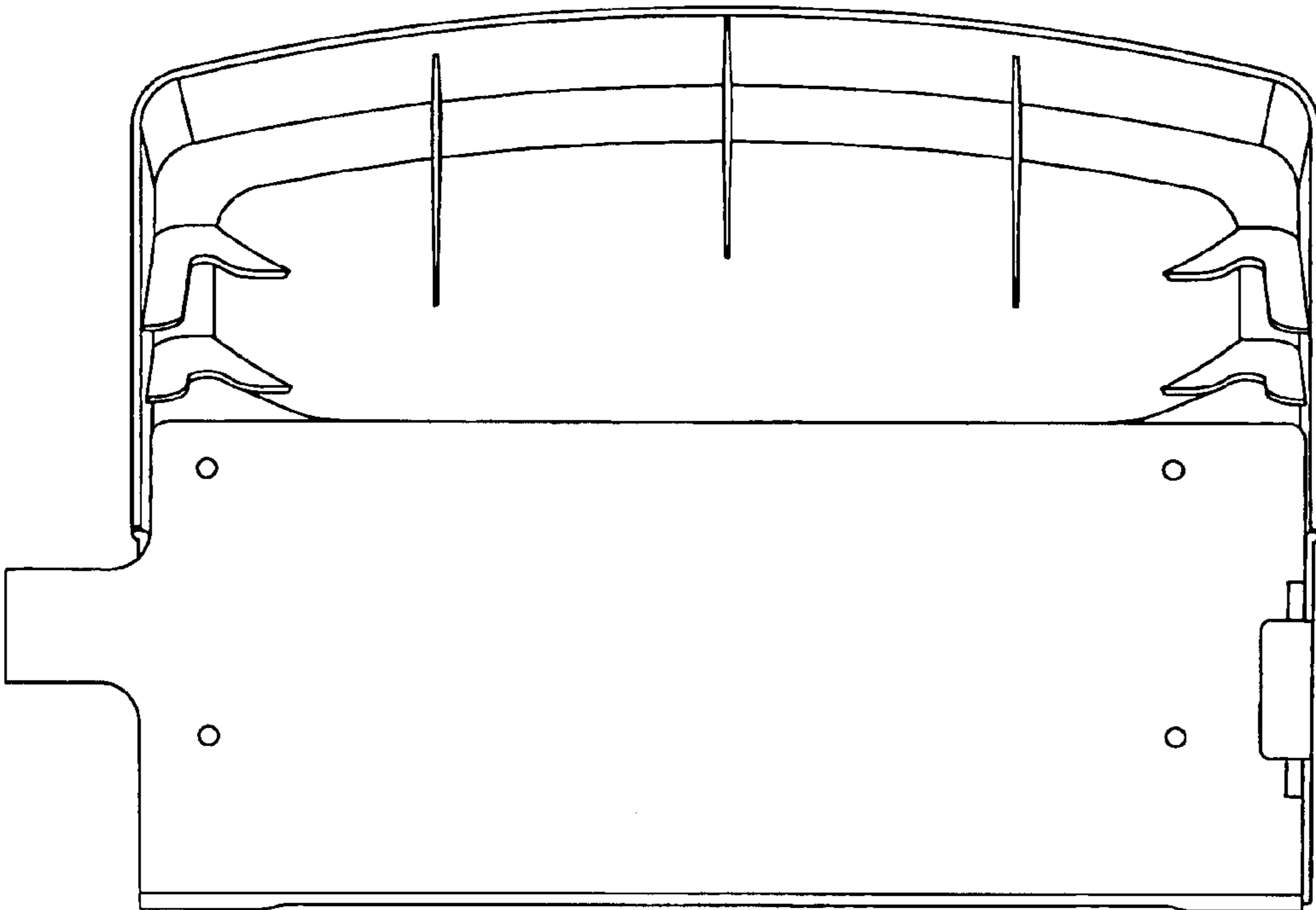


FIG. 3

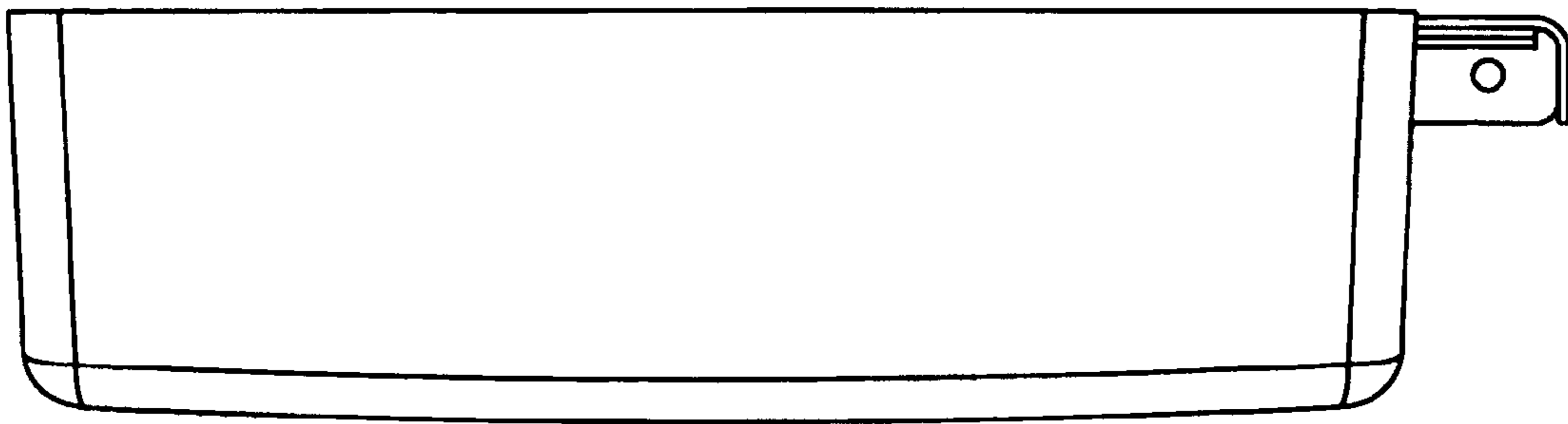


FIG. 4

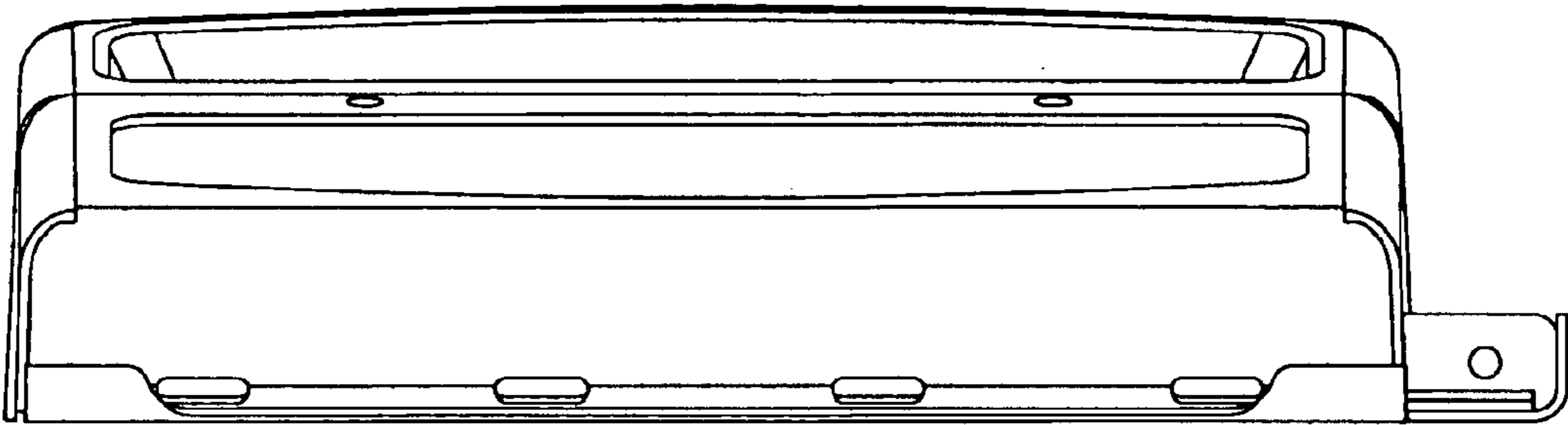


FIG. 5

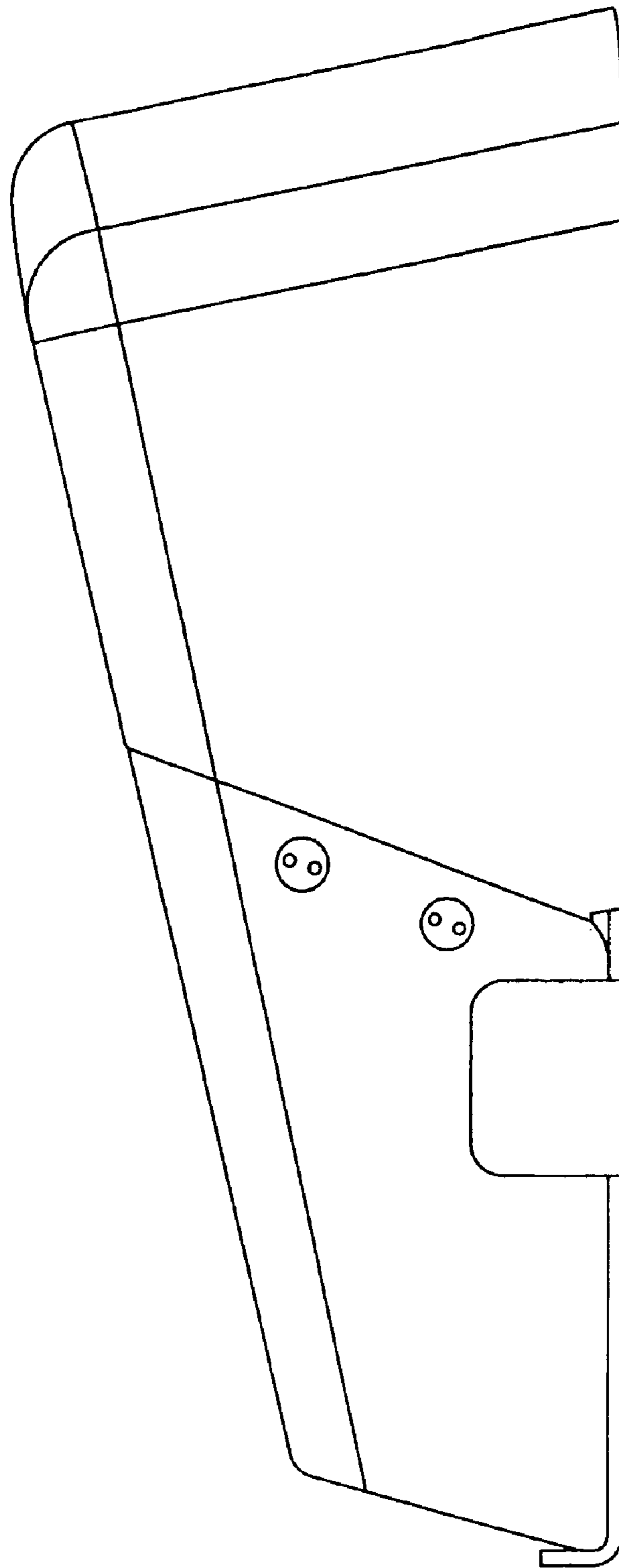


FIG. 6

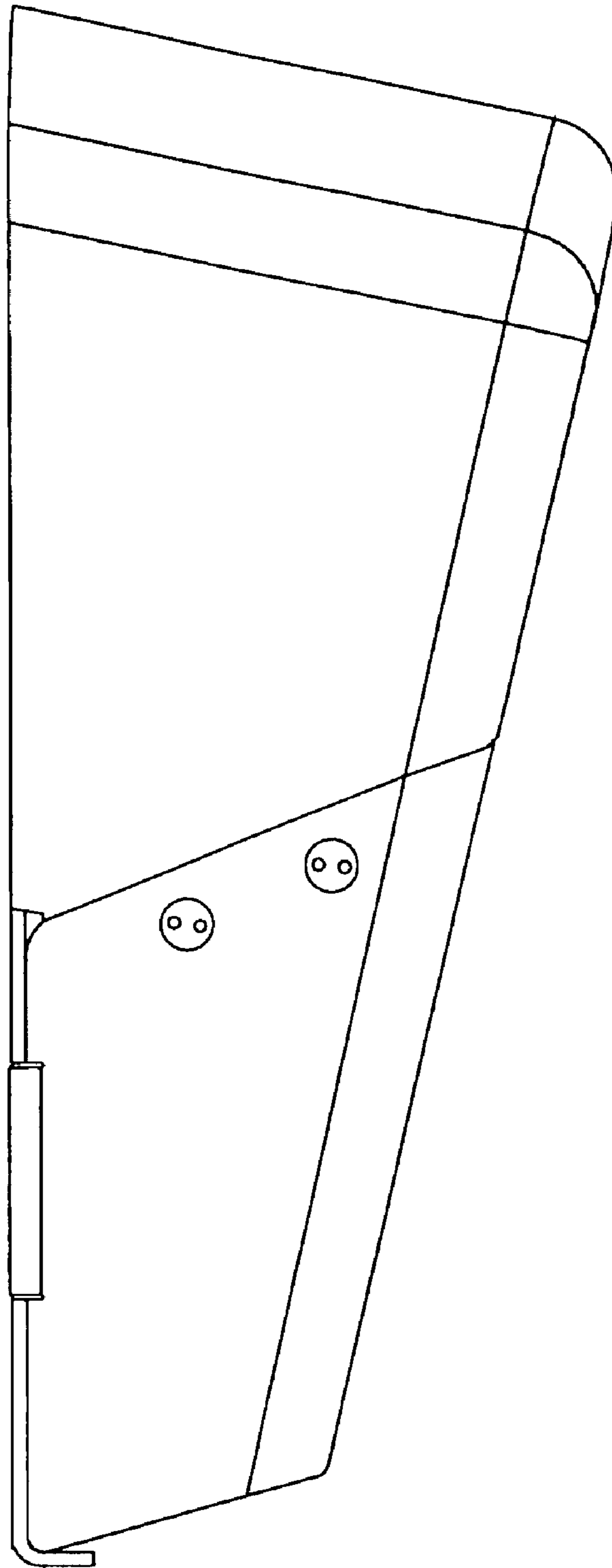


FIG. 7