



US00D520700S

(12) **United States Design Patent**
Plikuhn

(10) **Patent No.:** **US D520,700 S**

(45) **Date of Patent:** **** May 9, 2006**

(54) **RINSE BASKET**

OTHER PUBLICATIONS

(75) Inventor: **Deborah Marie Plikuhn**, Lombard, IL (US)

Elkay Manufacturing Co., "Elkay Specifications: Rinsing Baskets, LKERBSS and LKRB Series," (revised Sep. 2004). Kohler, "The Bold Look of Kohler: All Wire Rinse Baskets," retrieved from http://www.us.kohler.com/onlinecatalog/product_result.jsp?showAll=true§ion=1&category=7&subcategory=47&frm=null&module=Wire+Rinse+Baskets&cat_count=0&sort=Default, on Aug. 6, 2005.

(73) Assignee: **Elkay Manufacturing Company**, Oak Brook, IL (US)

(**) Term: **14 Years**

* cited by examiner

(21) Appl. No.: **29/229,249**

Primary Examiner—Alan P. Douglas
Assistant Examiner—Lavone D. Tabor

(22) Filed: **May 5, 2005**

(74) *Attorney, Agent, or Firm*—Leydig, Voit & Mayer, Ltd.

(51) **LOC (8) Cl.** **07-05**

(52) **U.S. Cl.** **D32/55**

(58) **Field of Classification Search** D32/55,
D32/56, 3, 73; D3/304, 306; D6/525, 566,
D6/537; D7/409, 600, 600.1, 704; 4/637,
4/656; 211/41.2–41.4, 41.8, 41.9, 85.25,
211/126.8, 126.9, 181.1; 220/485, 487, 488,
220/494, 572

(57) **CLAIM**

See application file for complete search history.

The ornamental design for a rinse basket, as shown and described.

DESCRIPTION

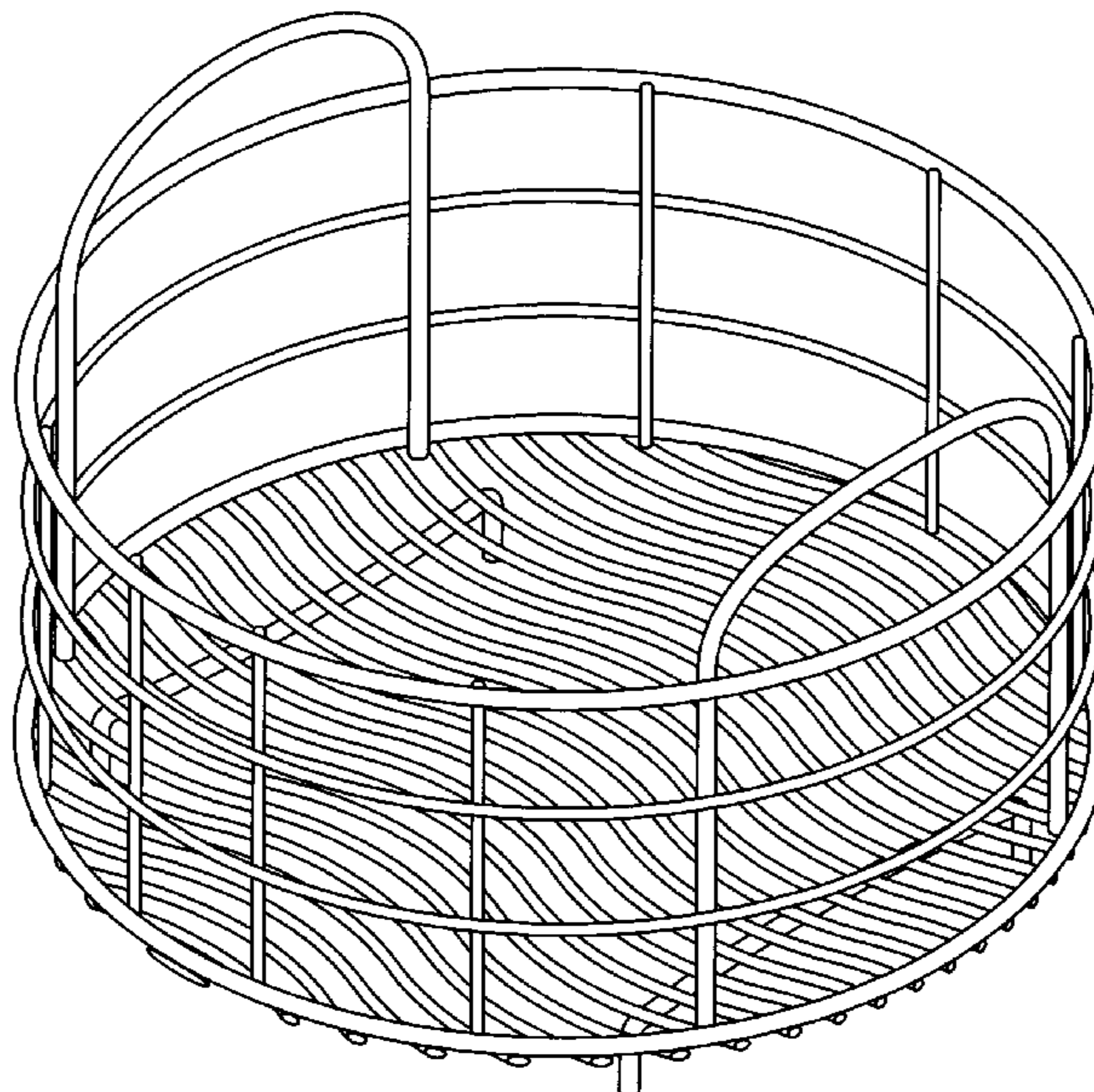
(56) **References Cited**

U.S. PATENT DOCUMENTS

646,128	A	*	3/1900	Price	220/487
724,252	A	*	3/1903	Blackwood	211/41.4
924,384	A	*	6/1909	Schlueter	220/485 X
1,172,352	A	*	2/1916	Georgie	220/485
D133,311	S		8/1942	Tinney		
D157,571	S		3/1950	Dennis		
D193,215	S		7/1962	Fredrick		
D270,963	S		10/1983	Hawes et al.		
D296,601	S		7/1988	Chap		
D477,144	S		7/2003	Remmers		
6,840,593	B1		1/2005	Remmers		

FIG. 1 is a perspective view taken from the top, front, and right side of a rinse basket showing our new design; FIG. 2 is a top plan view of the rinse basket shown in FIG. 1; FIG. 3 is a bottom view of the rinse basket shown in FIG. 1; FIG. 4 is a front side view of the rinse basket shown in FIG. 1; FIG. 5 is a rear side view of the rinse basket shown in FIG. 1; FIG. 6 is a left side view of the rinse basket shown in FIG. 1; and, FIG. 7 is a right side view of the rinse basket shown in FIG. 1.

1 Claim, 5 Drawing Sheets



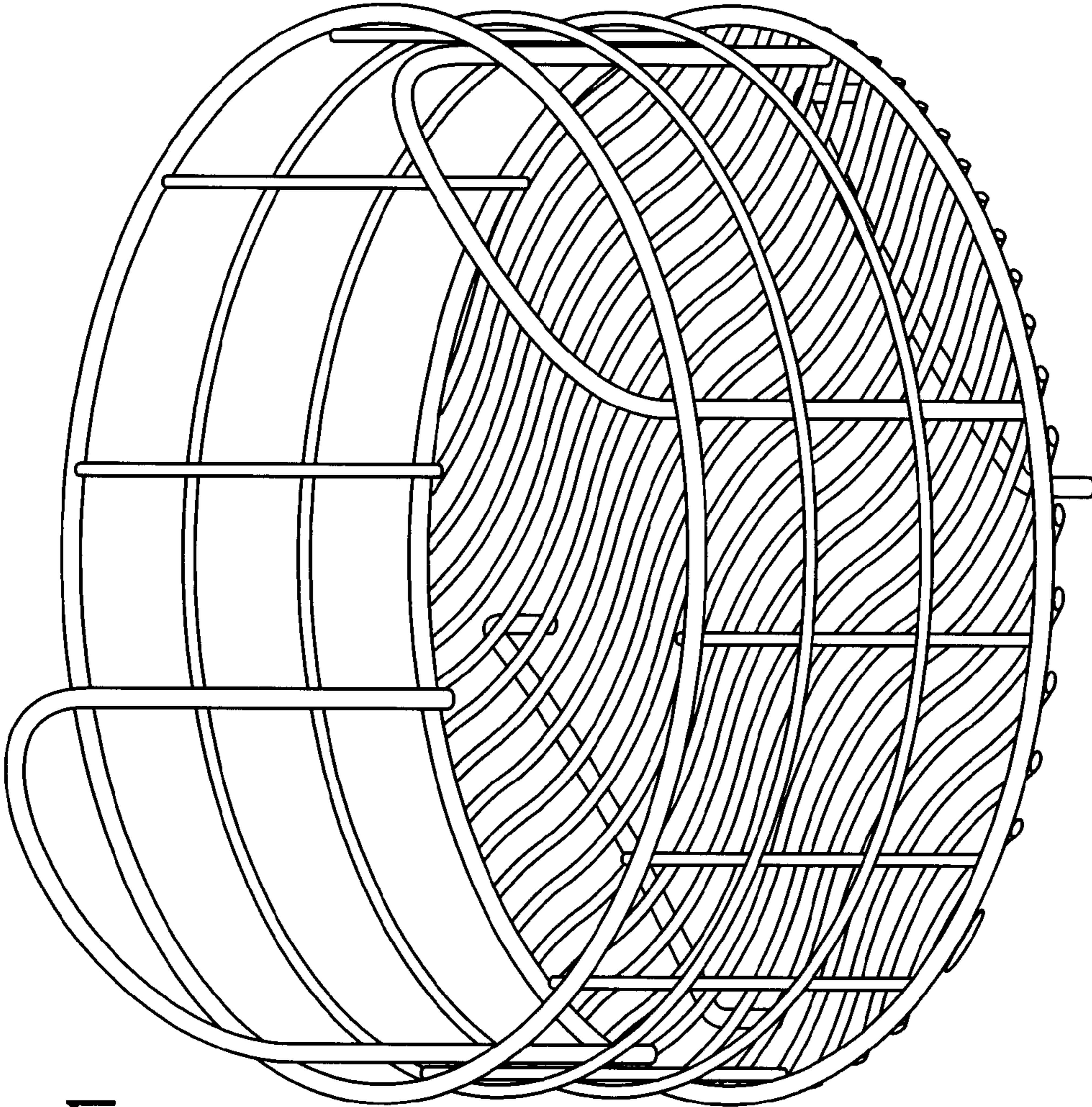


FIG. 1

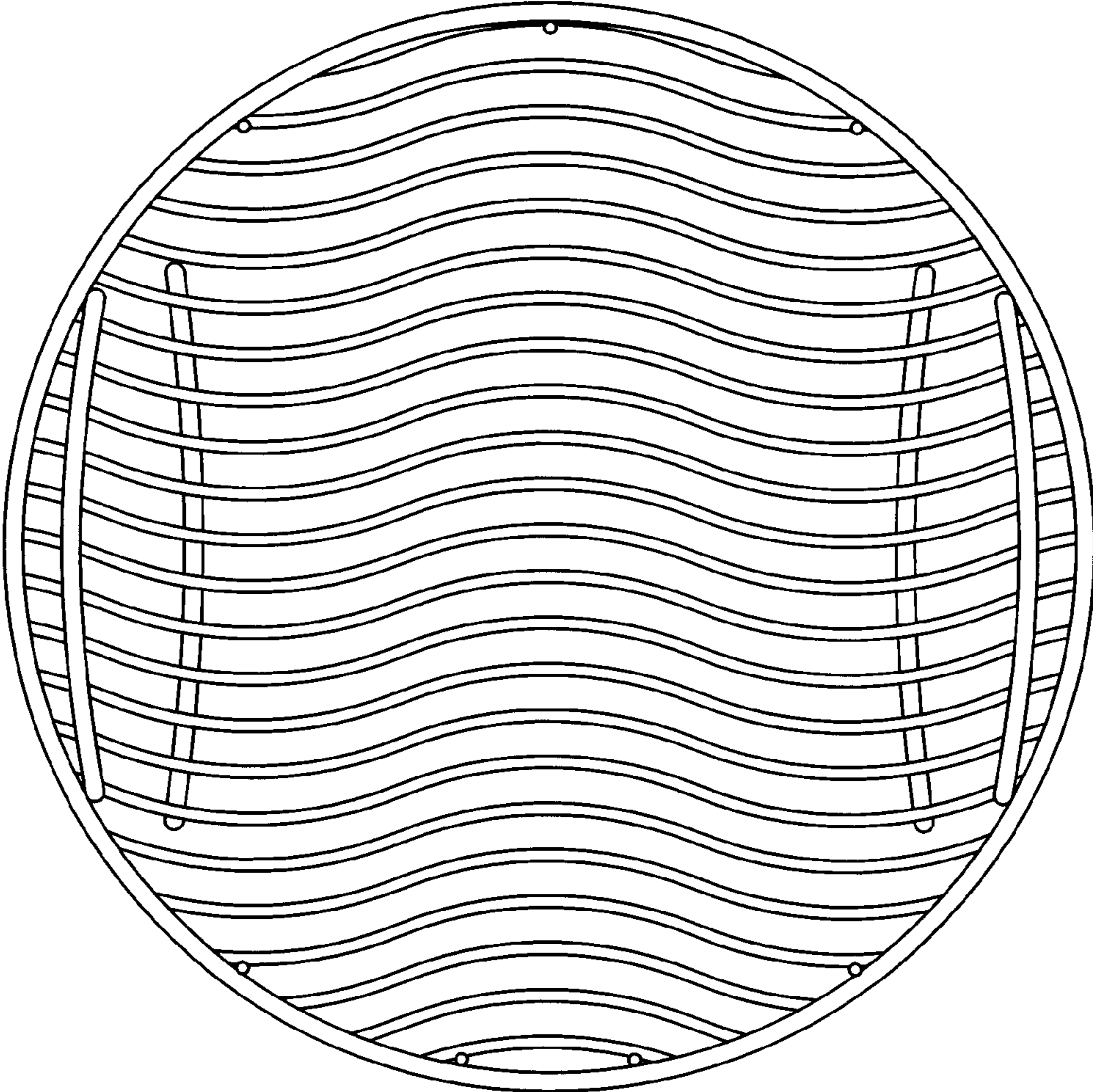


FIG. 2

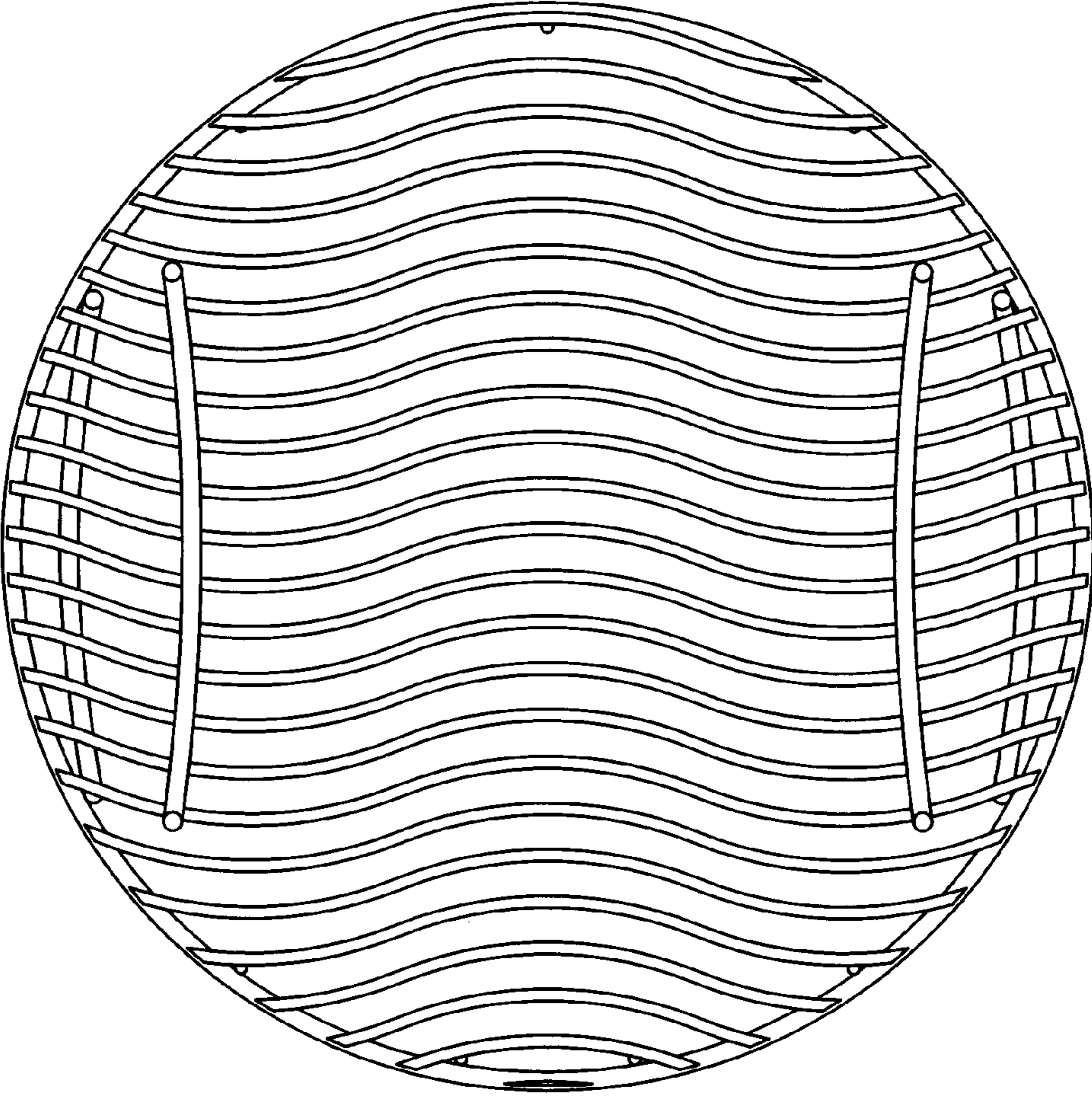


FIG. 3

FIG. 4

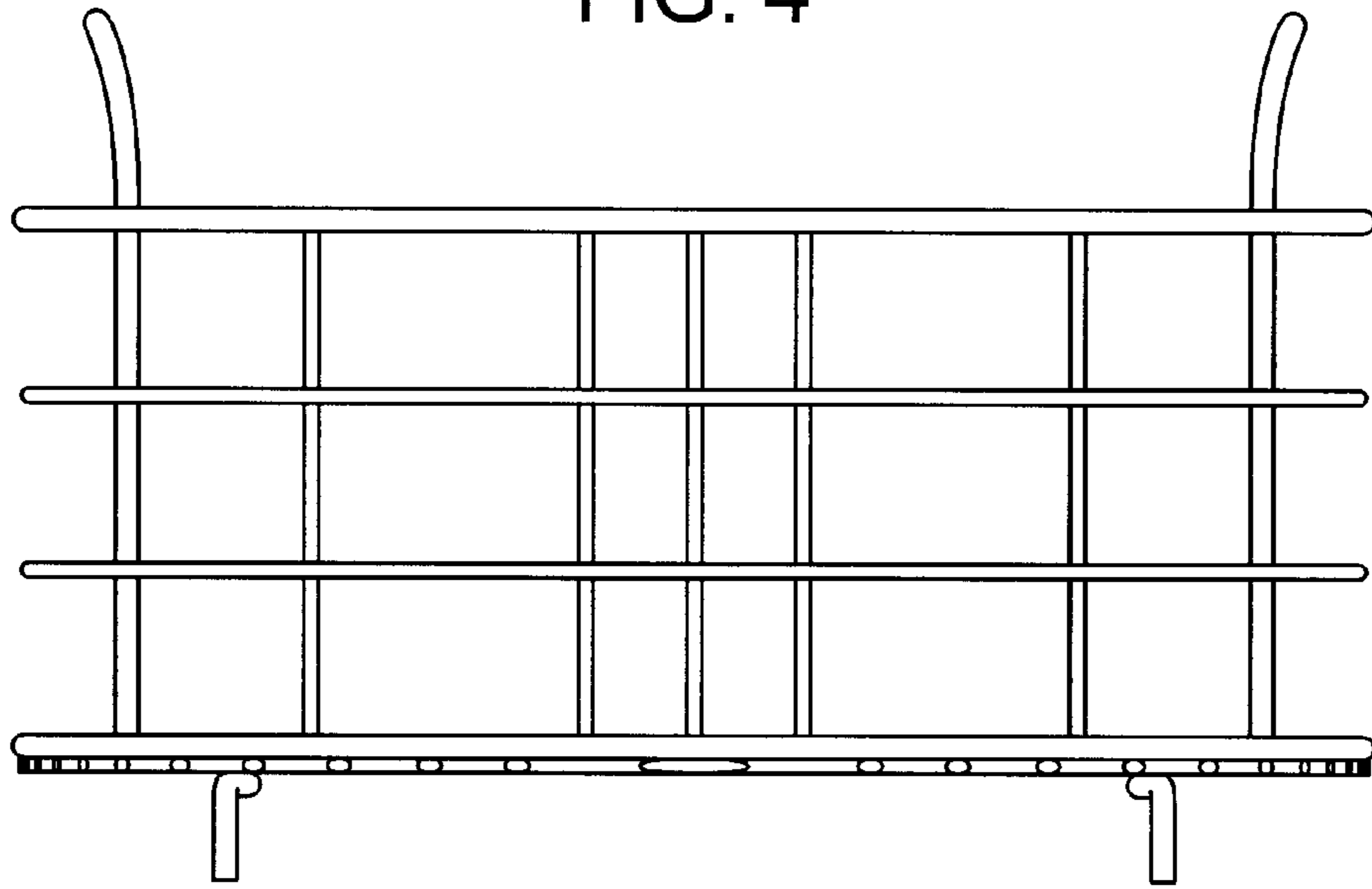


FIG. 5

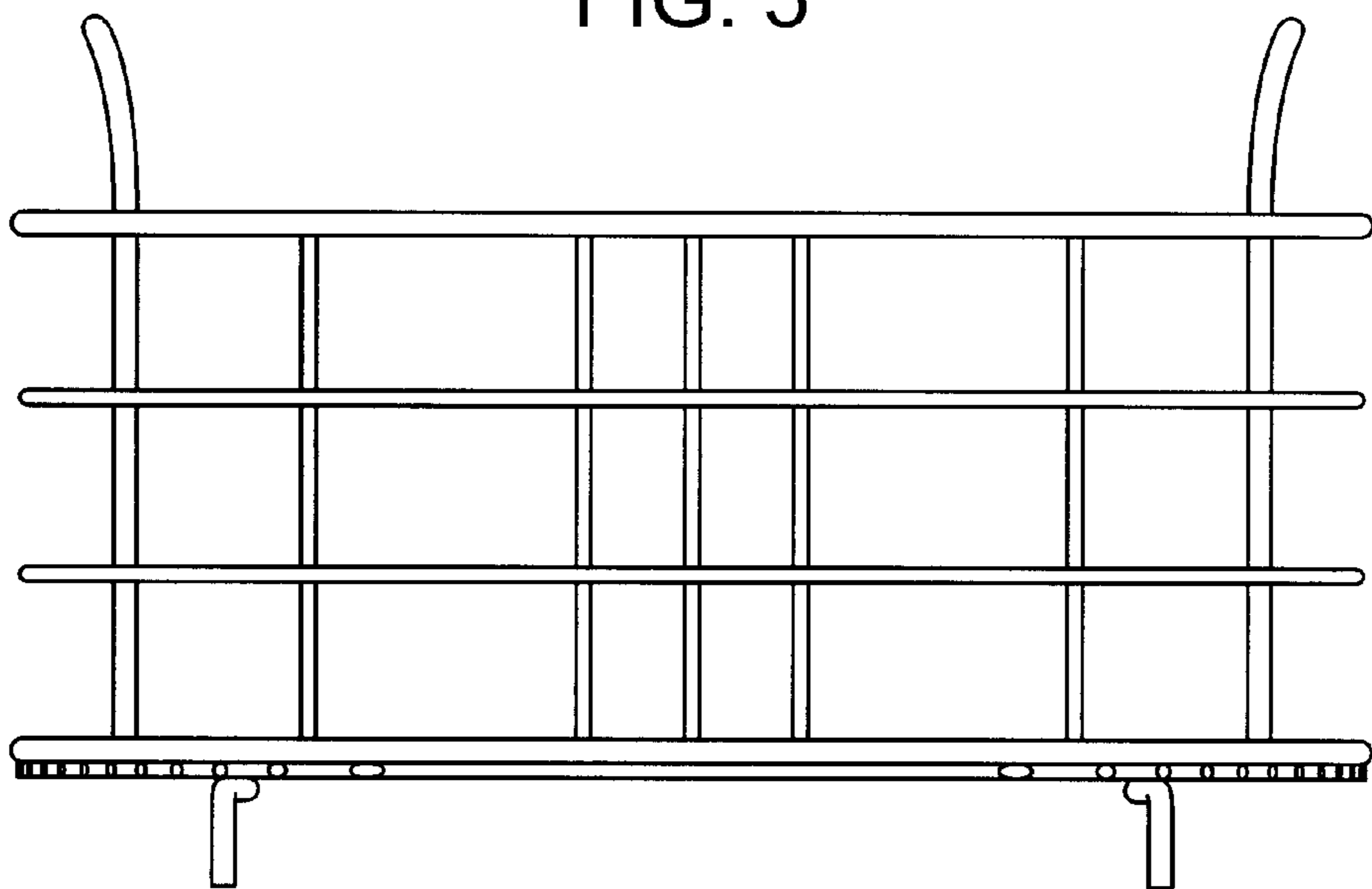


FIG. 6

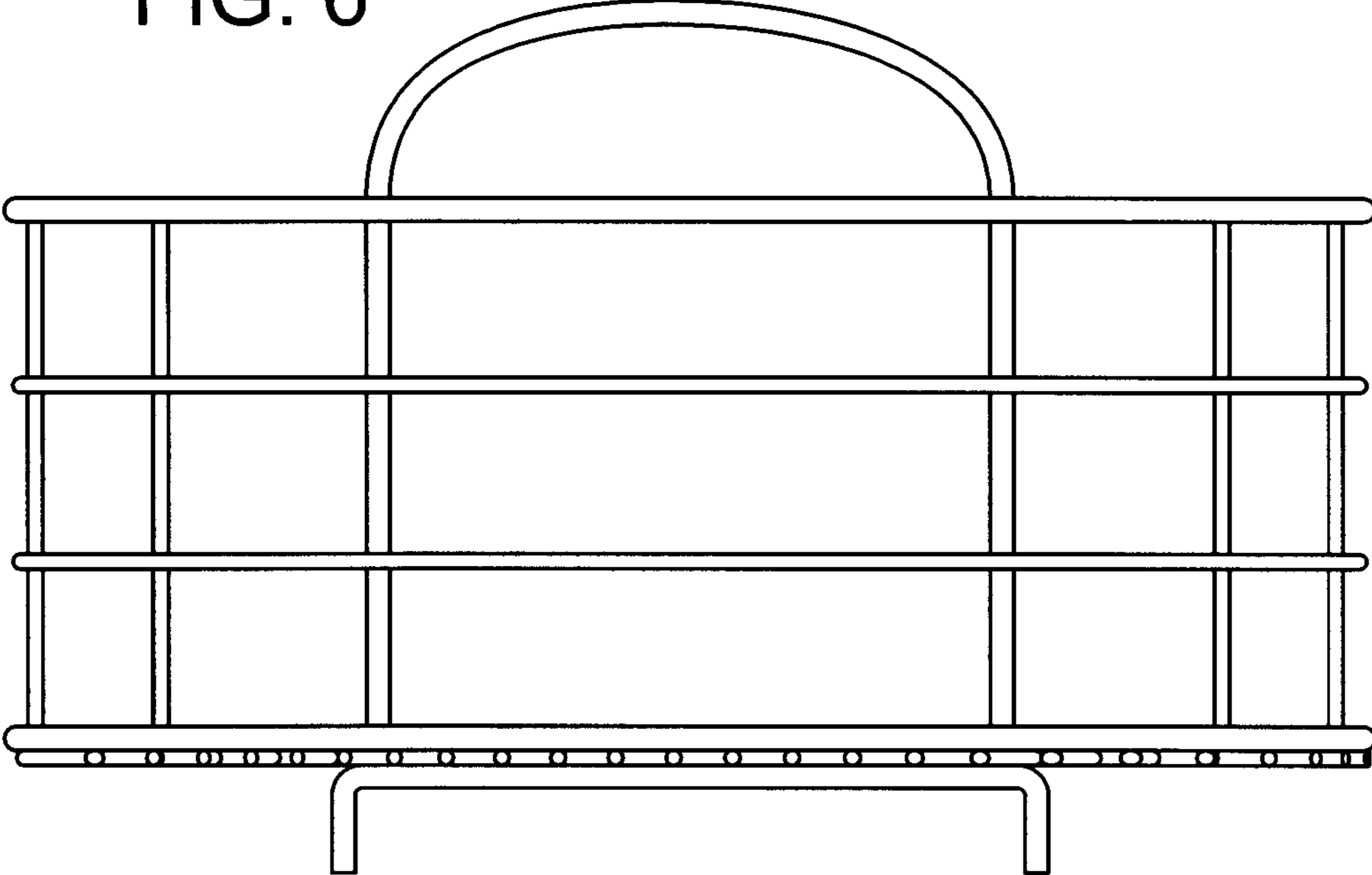


FIG. 7

