



US00D520698S

(12) **United States Design Patent**  
**Libman et al.**

(10) **Patent No.:** **US D520,698 S**

(45) **Date of Patent:** **\*\* May 9, 2006**

(54) **MOP**

(75) Inventors: **Robert J. Libman**, Champaign, IL  
(US); **Enzo Berti**, Dolo/Venice (IT)

(73) Assignee: **The Libman Company**, Arcola, IL  
(US)

(\*\*) Term: **14 Years**

(21) Appl. No.: **29/182,260**

(22) Filed: **May 22, 2003**

(51) **LOC (8) Cl.** ..... **04-01**

(52) **U.S. Cl.** ..... **D32/50; D4/199**

(58) **Field of Classification Search** ..... D4/116,  
D4/119, 130, 132, 134, 135, 138, 199; D32/42,  
D32/50, 51, 44; 15/114, 115, 116.1, 116.2,  
15/146, 159.1, 160

See application file for complete search history.

(56) **References Cited**

**U.S. PATENT DOCUMENTS**

D165,753 S \* 1/1952 Herron ..... D4/119  
D186,760 S \* 12/1959 Larson et al. .... D4/134

2,935,754 A \* 5/1960 Abdo et al. .... 15/115 X  
D351,267 S 10/1994 Libman  
D378,324 S \* 3/1997 Tennant ..... D4/138  
D401,702 S 11/1998 Berti

**FOREIGN PATENT DOCUMENTS**

DE 867237 \* 8/1951  
DE 19806871 A1 \* 9/1999

\* cited by examiner

*Primary Examiner*—Alan P. Douglas

*Assistant Examiner*—Lavone D. Tabor

(74) *Attorney, Agent, or Firm*—Richard S. Stockton;  
Banner & Witcoff, Ltd.

(57) **CLAIM**

The ornamental design for a mop, as shown and described.

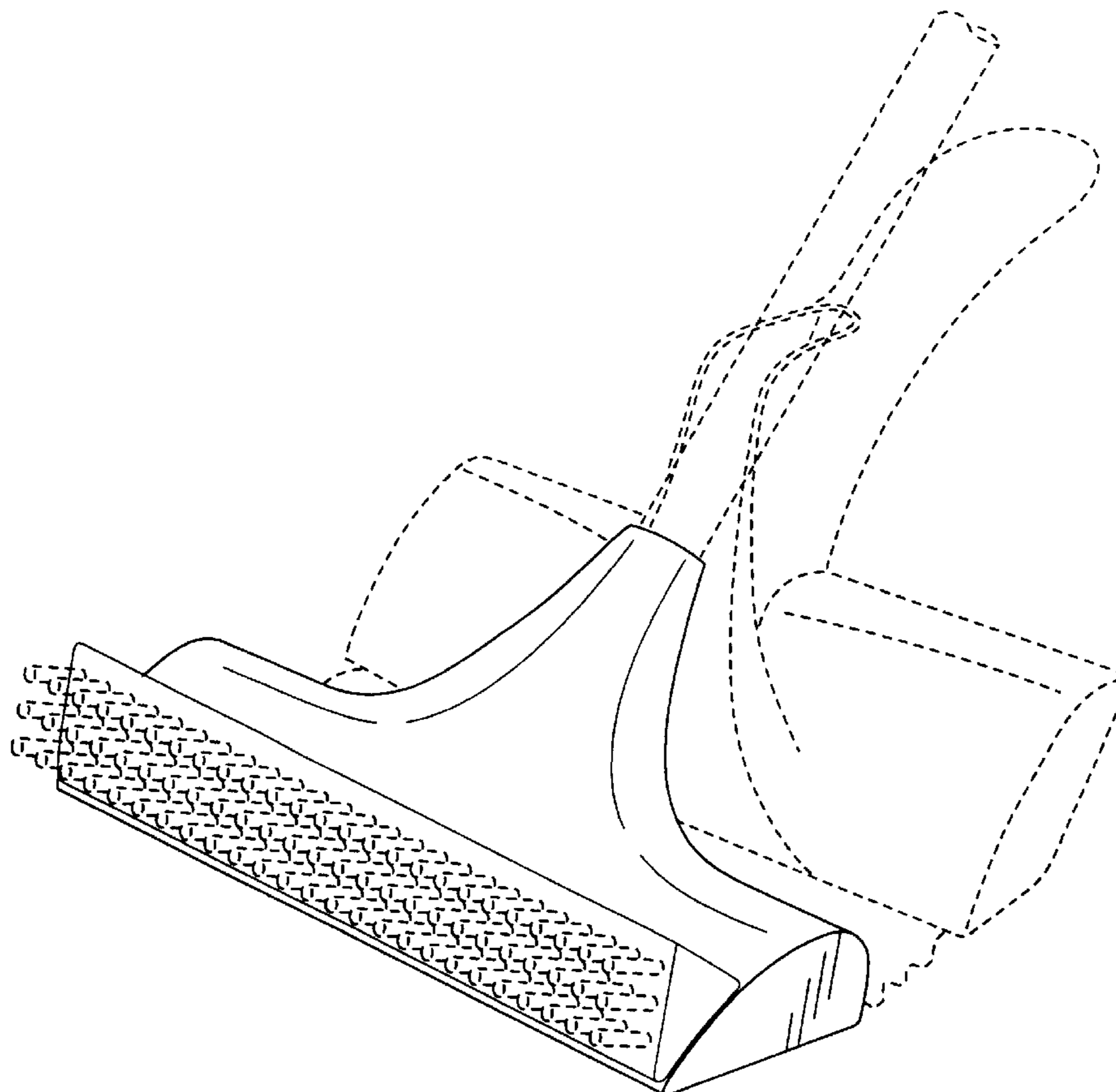
**DESCRIPTION**

FIG. 1 is a perspective view of a mop in accordance with the present invention; and,

FIG. 2 is a top view of the mop.

The broken lines are for environmental purposes, and do not form part of the claimed design.

**1 Claim, 2 Drawing Sheets**



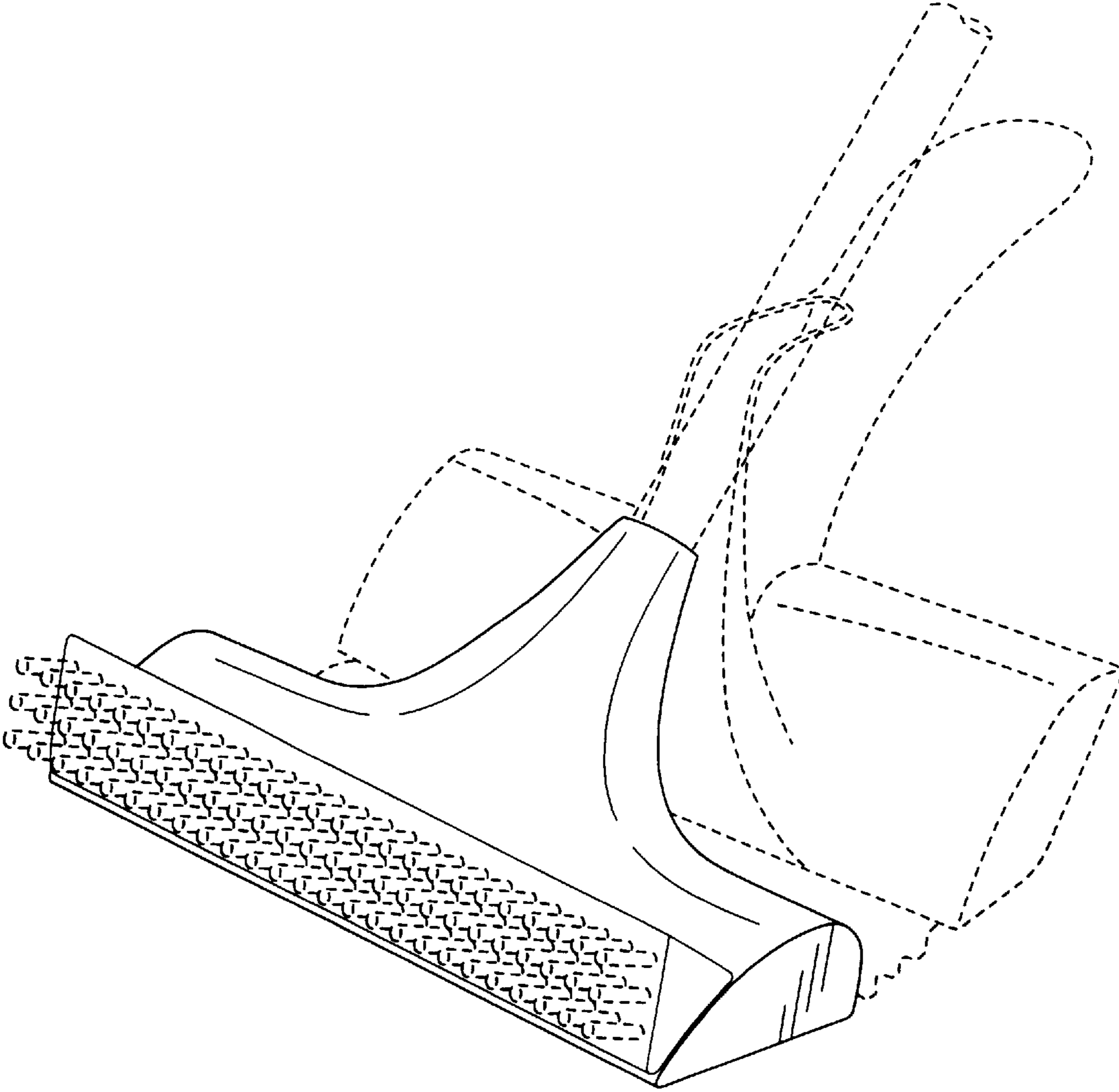


FIG. 1

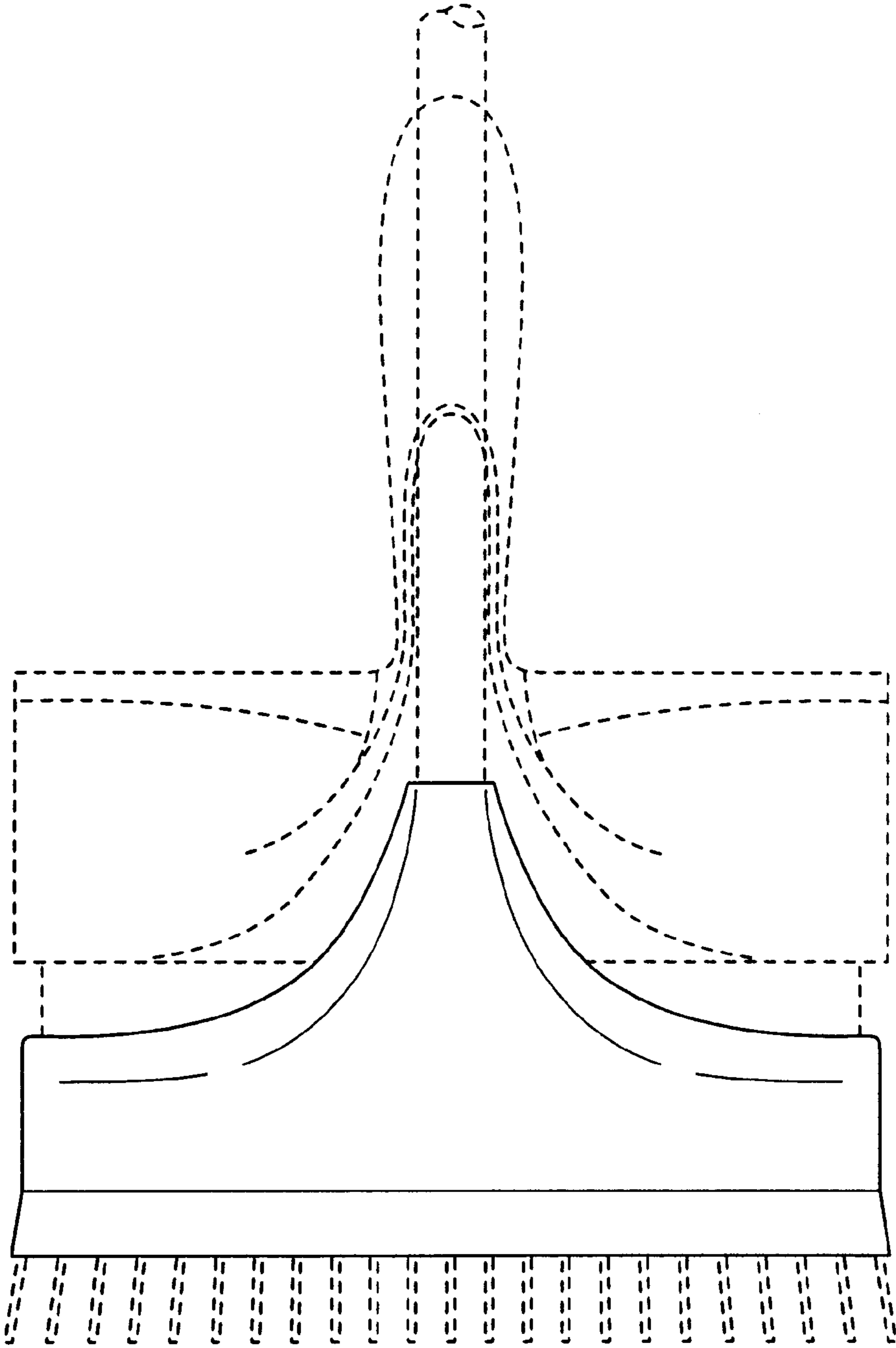


FIG. 2