



US00D520695S

(12) **United States Design Patent**
Dyson et al.

(10) **Patent No.:** **US D520,695 S**

(45) **Date of Patent:** **** May 9, 2006**

(54) **ACCESSORY FOR A CLEANING APPLIANCE**

(75) Inventors: **James Dyson**, Dodington (GB); **James Martin Coleman**, Crudwell (GB)

(73) Assignee: **Dyson Limited**, Wiltshire (GB)

(**) Term: **14 Years**

(21) Appl. No.: **29/227,241**

(22) Filed: **Apr. 8, 2005**

(30) **Foreign Application Priority Data**

Oct. 8, 2004 (GB) 3019031

(51) **LOC (8) Cl.** **15-05**

(52) **U.S. Cl.** **D32/33**

(58) **Field of Classification Search** D32/22,
D32/30-34; 15/321-322, 329, 400, 410-411,
15/414-415.1, 416-422.1, 327.1, 394, 351;
285/7; D8/300, 302-303, 310, 317; 16/110.1
See application file for complete search history.

(56) **References Cited**

U.S. PATENT DOCUMENTS

D266,707 S * 10/1982 Bunyea D32/33
D306,789 S * 3/1990 Worwag D32/33
5,351,362 A * 10/1994 Kramer et al. 15/387

D370,097 S * 5/1996 Griffin et al. D32/33
D419,733 S * 1/2000 Medema D32/32
D424,260 S * 5/2000 Worwag D32/32
D443,741 S * 6/2001 Parr et al. D32/32
D476,121 S * 6/2003 Hammond D32/32
D508,154 S * 8/2005 Carr D32/32
2005/0120513 A1 * 6/2005 Lee 15/415.1
2005/0217070 A1 * 10/2005 Lee et al. 15/415.1

* cited by examiner

Primary Examiner—Ruth McInroy

(74) *Attorney, Agent, or Firm*—Morrison & Foerster LLP

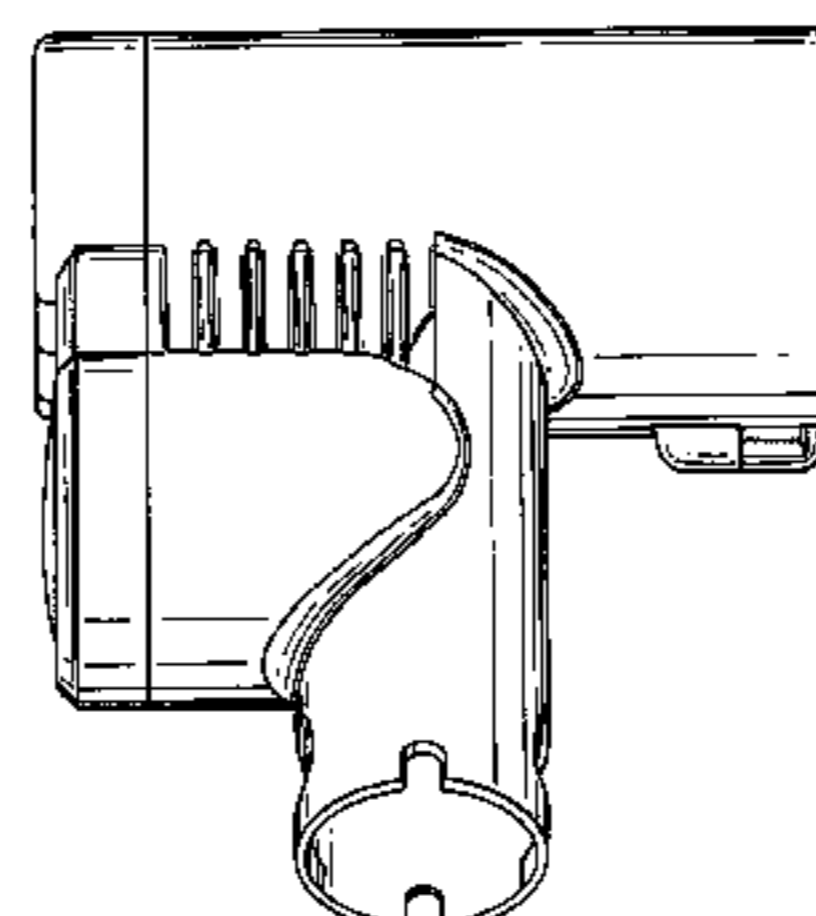
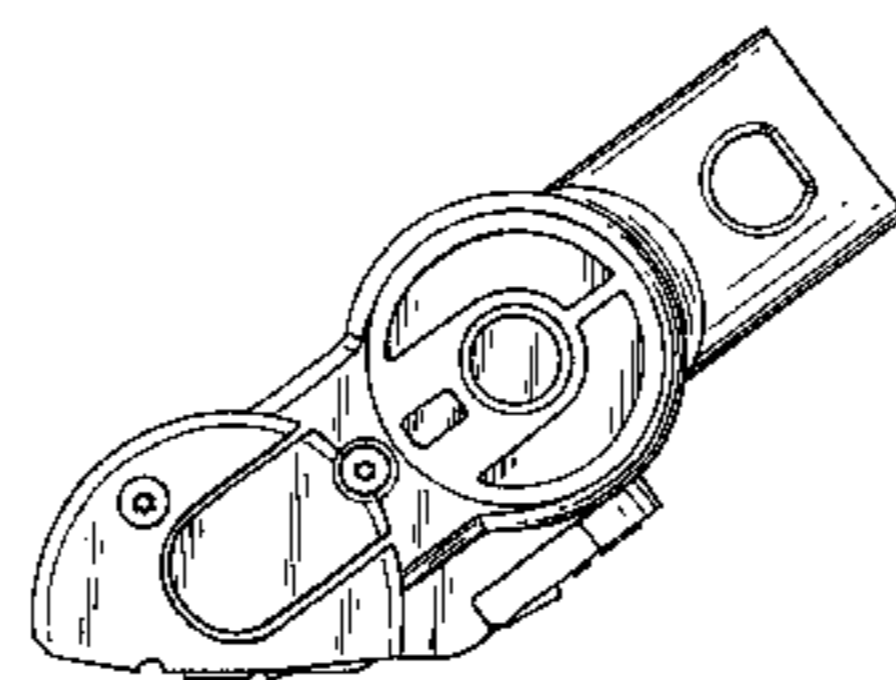
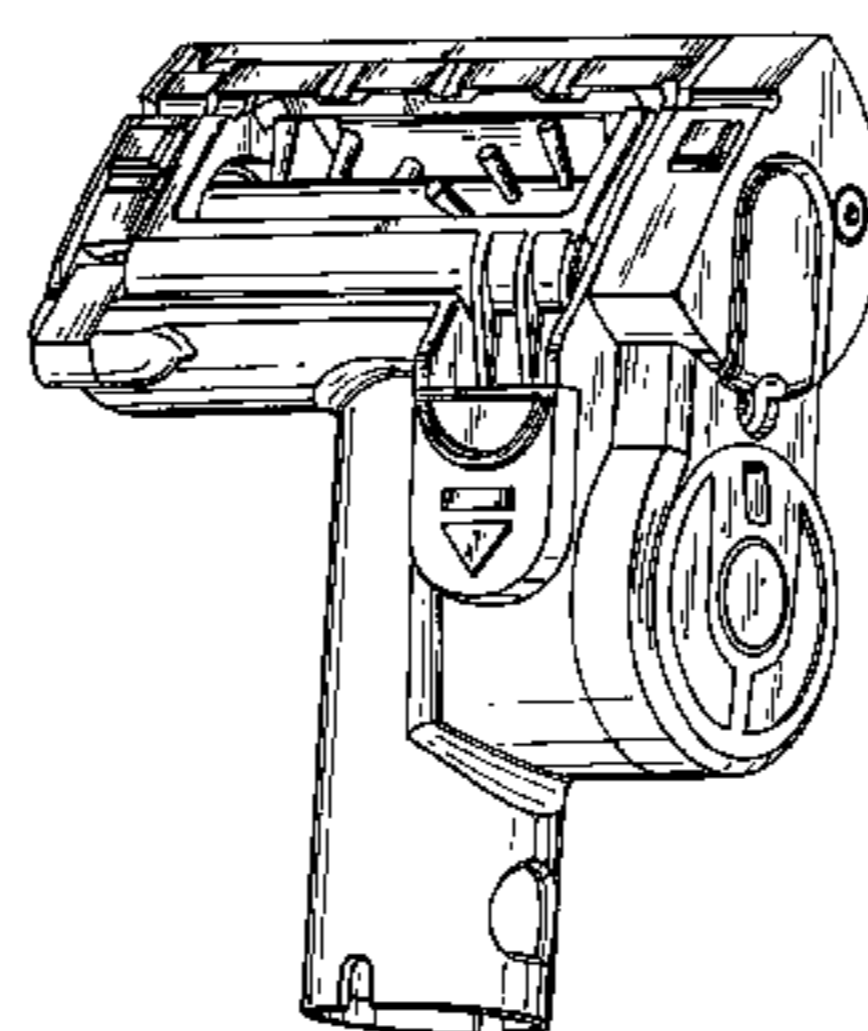
(57) **CLAIM**

We claim the ornamental design for an accessory for a cleaning appliance, as shown and described.

DESCRIPTION

FIG. 1 is a bottom perspective view of an accessory for a cleaning appliance showing our new design;
FIG. 2 is a front view thereof;
FIG. 3 is a rear view thereof;
FIG. 4 is a side view thereof;
FIG. 5 is a side view of the opposite side of FIG. 4;
FIG. 6 is a top view thereof; and,
FIG. 7 is a bottom view thereof.

1 Claim, 7 Drawing Sheets



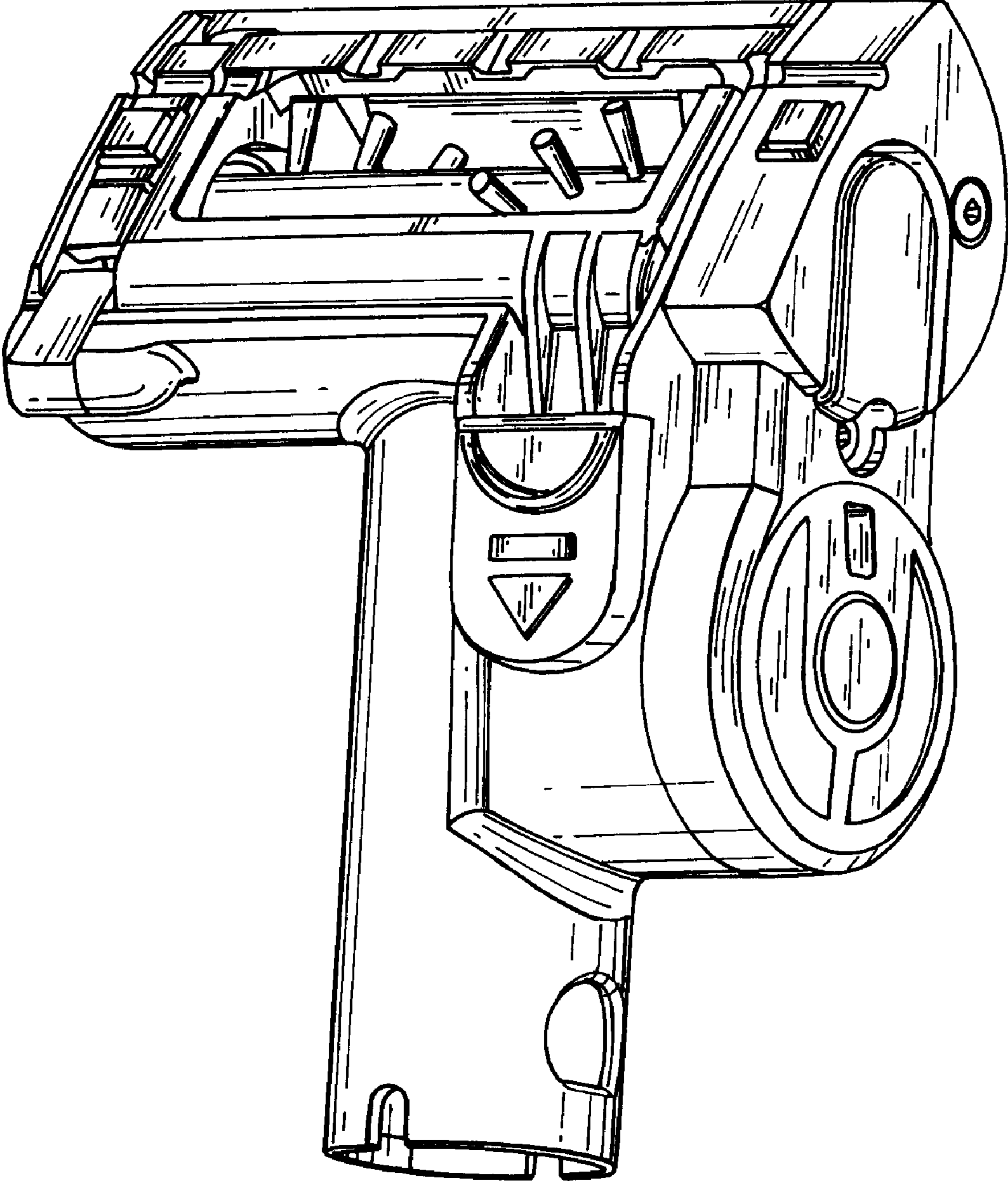


Fig. 1

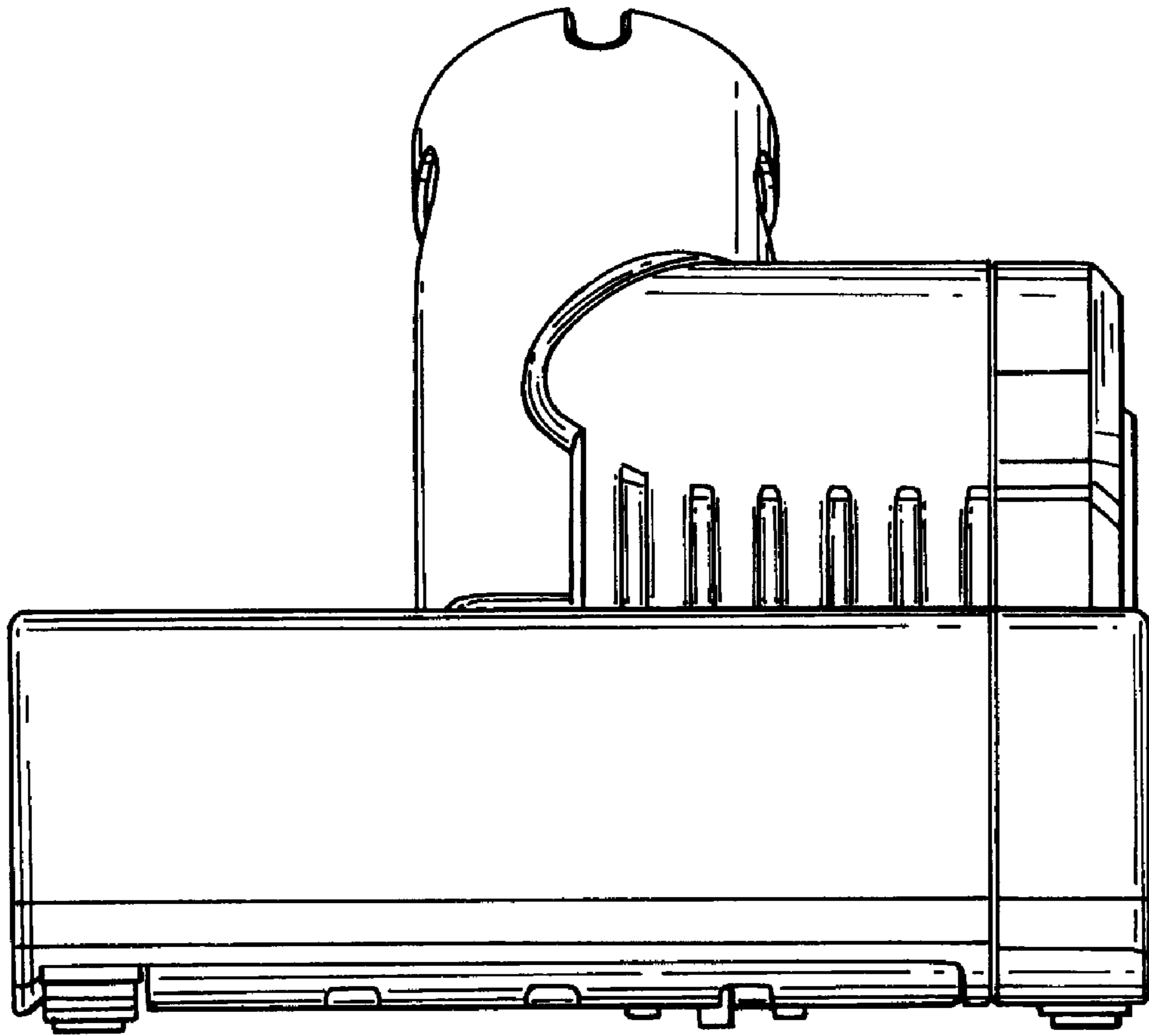


Fig. 2

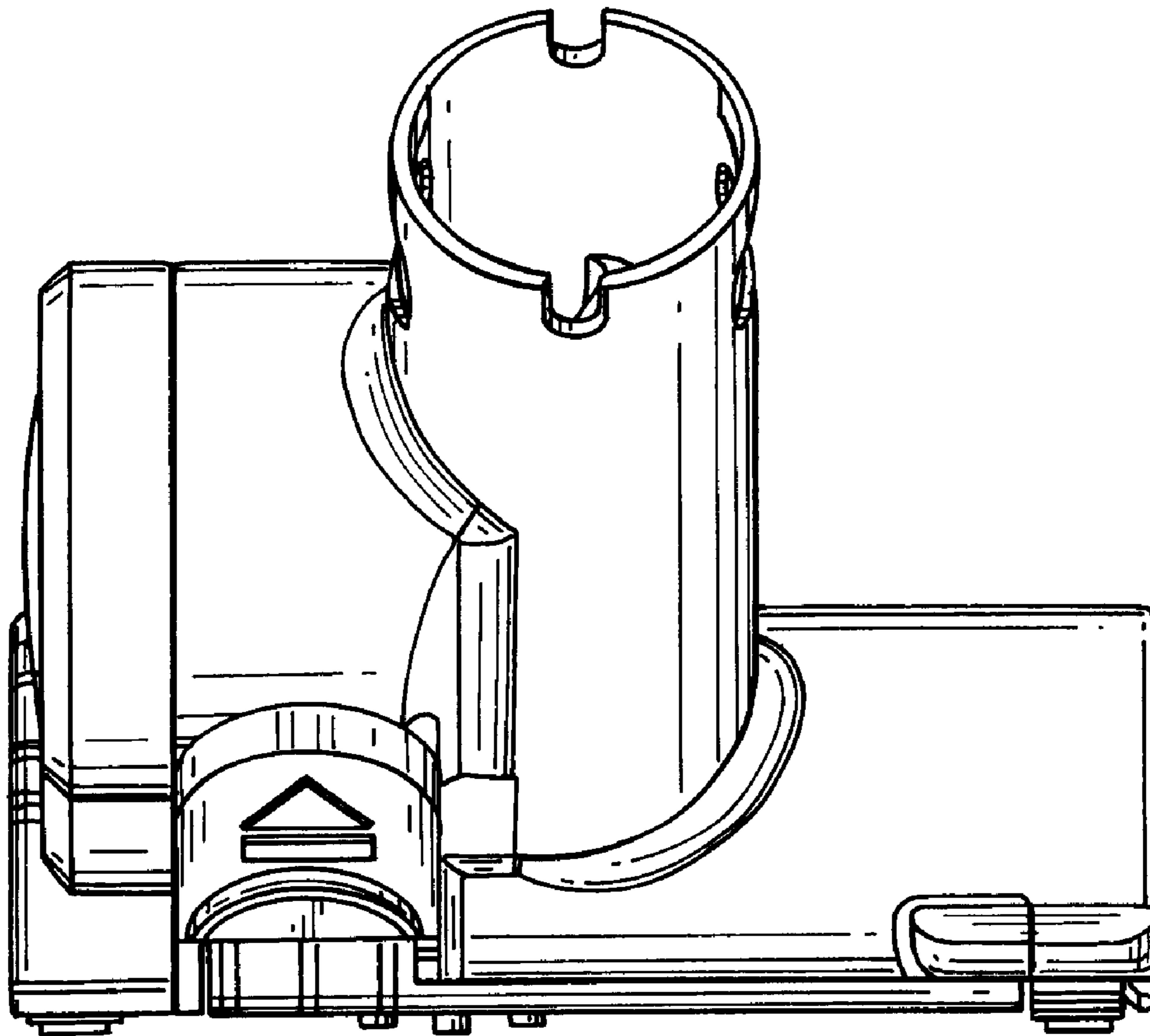


Fig. 3

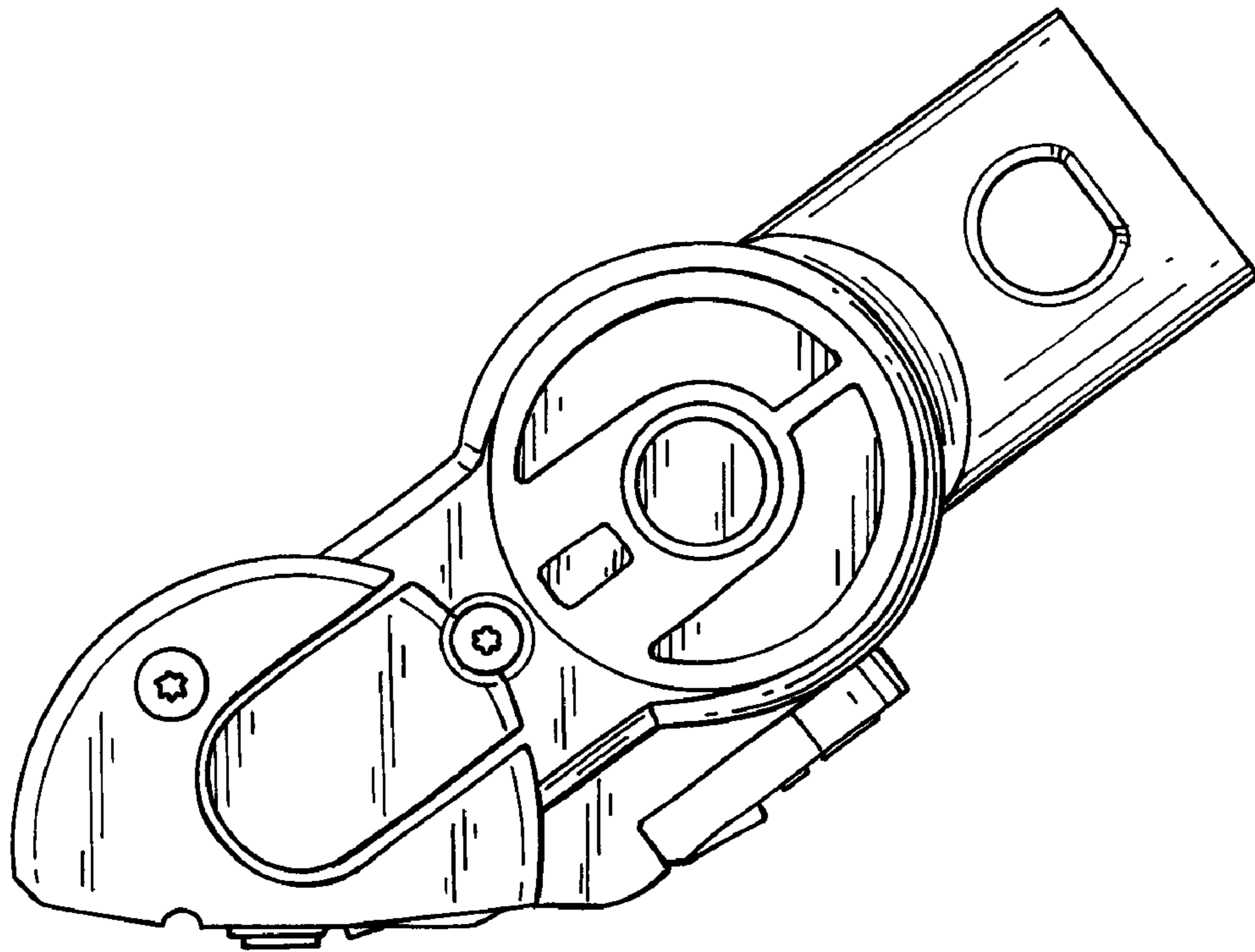


Fig. 4

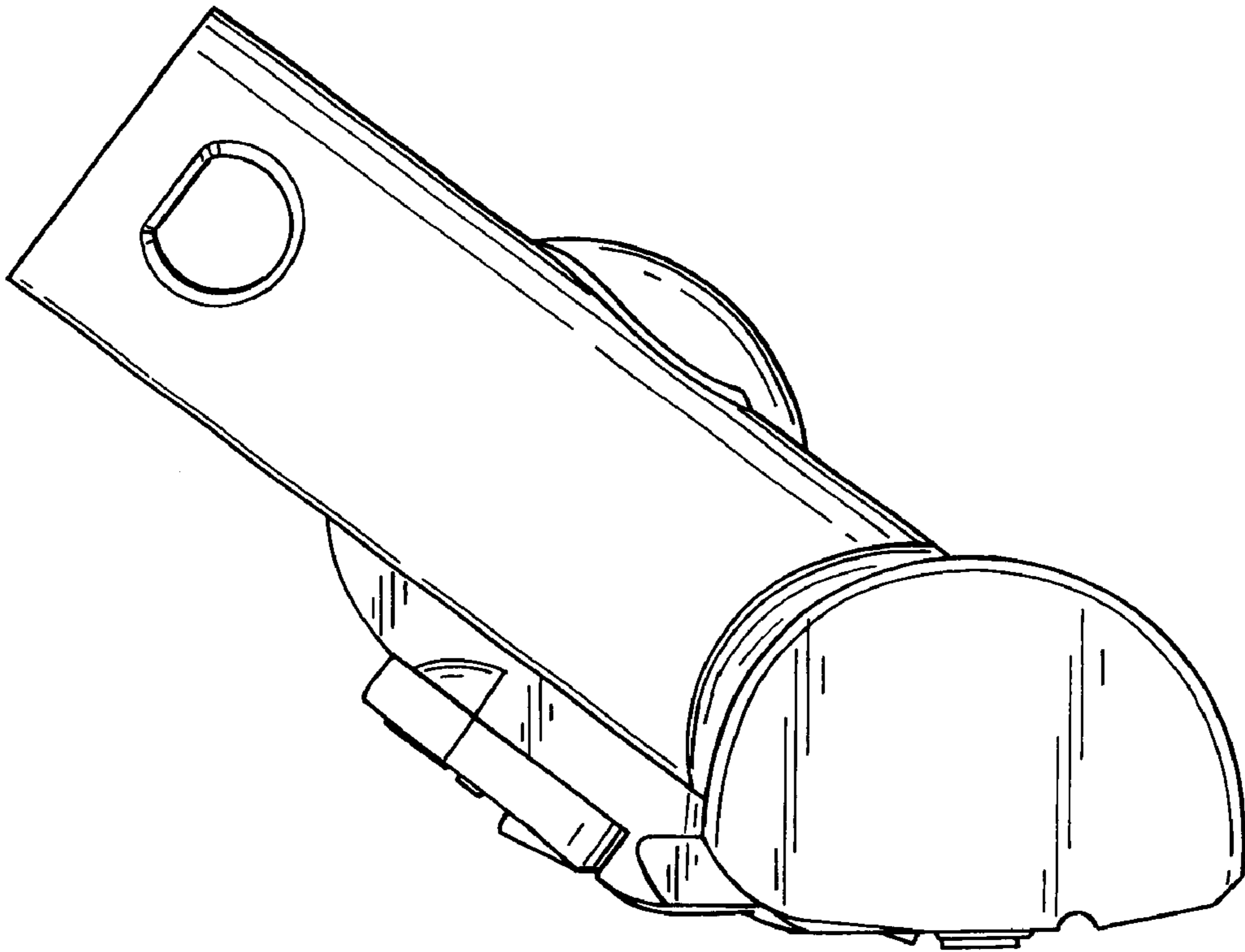


Fig. 5

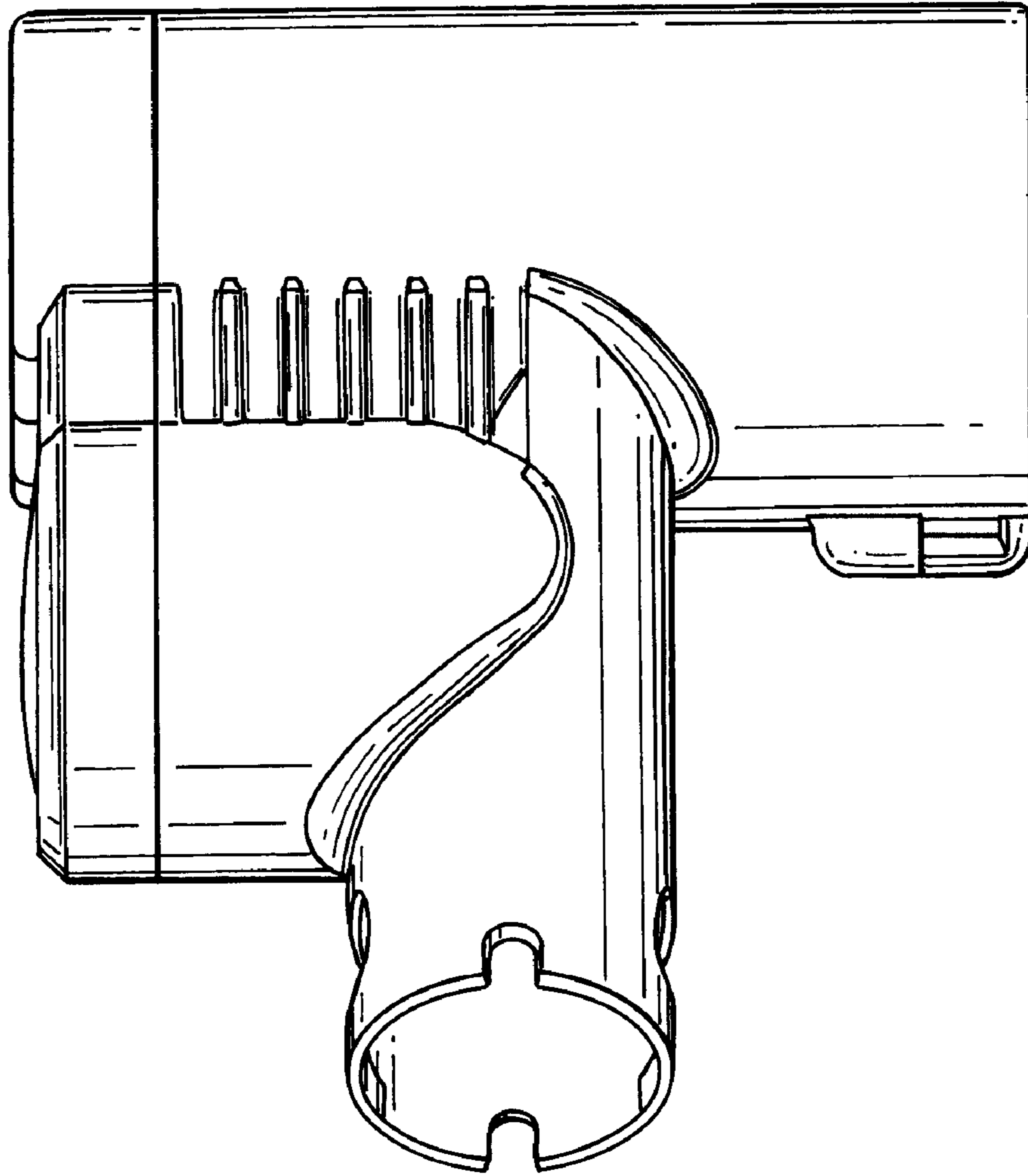


Fig. 6

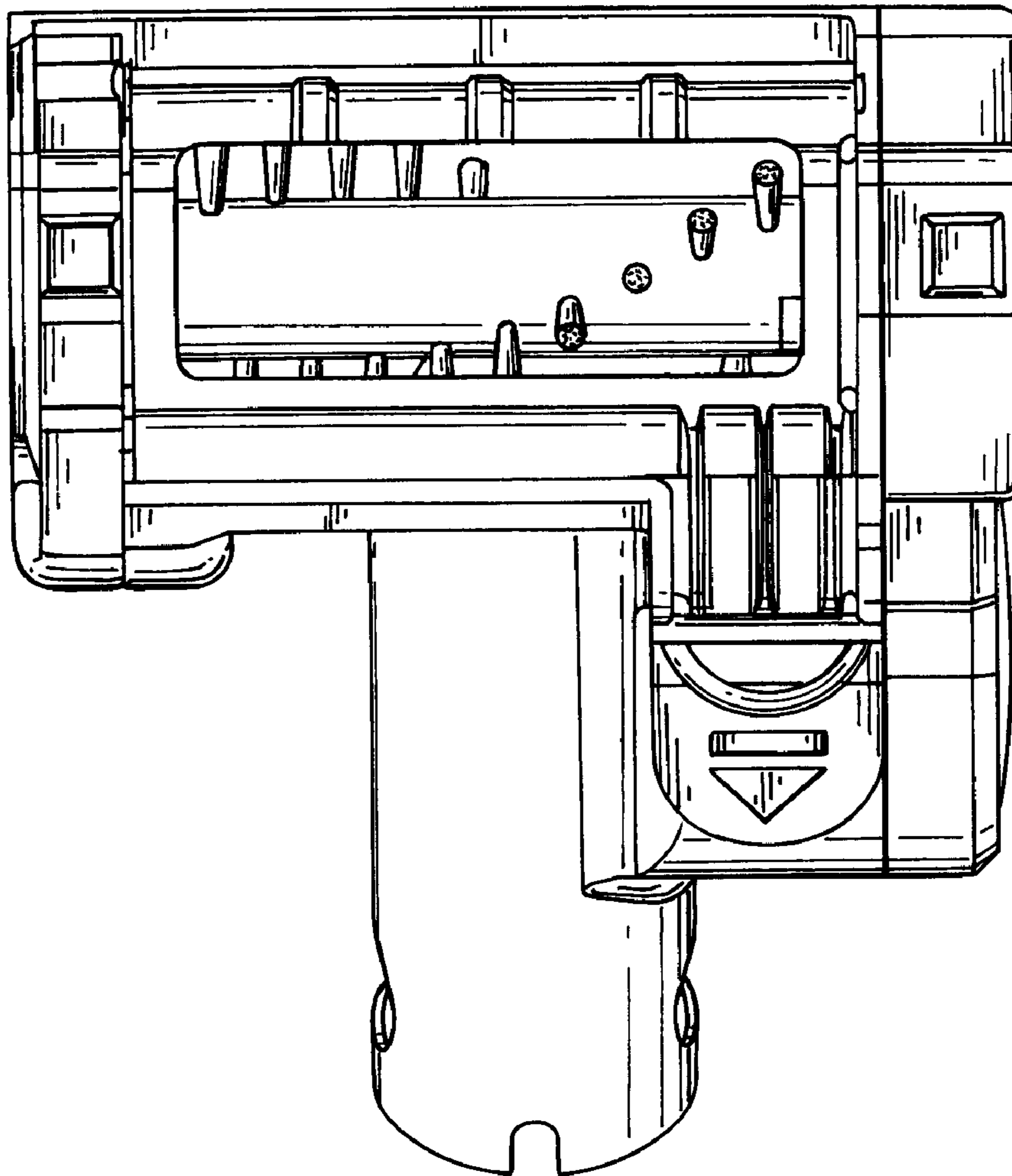


Fig. 7