



US00D520694S

(12) **United States Design Patent**  
**Choi**

(10) **Patent No.:** **US D520,694 S**

(45) **Date of Patent:** **\*\* May 9, 2006**

(54) **NOZZLE FOR VACUUM CLEANER**

(75) Inventor: **Kyu Kwan Choi**, Anyang-shi (KR)

(73) Assignee: **LG Electronics Inc.**, Seoul (KR)

(\*\*) Term: **14 Years**

(21) Appl. No.: **29/217,847**

(22) Filed: **Nov. 24, 2004**

(30) **Foreign Application Priority Data**

Jun. 7, 2004 (KR) ..... 30-2004-0016887

(51) **LOC (8) Cl.** ..... **15-05**

(52) **U.S. Cl.** ..... **D32/32**

(58) **Field of Classification Search** ..... D32/22,  
D32/30-34; 15/321-322, 329, 400, 410-411,  
15/414-415.1, 416-422.1, 327.1, 394, 351;  
285/7; D8/300, 302-303, 310, 317; 16/110.1  
See application file for complete search history.

(56) **References Cited**

**U.S. PATENT DOCUMENTS**

D266,707 S \* 10/1982 Bunyea ..... D32/33  
D306,789 S \* 3/1990 Worwag ..... D32/33

D370,097 S \* 5/1996 Griffin et al. .... D32/33  
D443,741 S \* 6/2001 Parr et al. .... D32/32  
D476,121 S \* 6/2003 Hammond ..... D32/32  
D508,154 S \* 8/2005 Carr ..... D32/32  
2005/0120513 A1 \* 6/2005 Lee ..... 15/415.1  
2005/0217070 A1 \* 10/2005 Lee et al. .... 15/415.1

\* cited by examiner

*Primary Examiner*—Ruth McInroy

(74) *Attorney, Agent, or Firm*—Birch, Stewart, Kolasch & Birch, LLP

(57) **CLAIM**

I claim the ornamental design for nozzle for vacuum cleaner, as shown and described.

**DESCRIPTION**

FIG. 1 is a perspective view of nozzle for vacuum cleaner showing the new design;  
FIG. 2 is a front elevation view thereof;  
FIG. 3 is a rear elevation view thereof;  
FIG. 4 is a left-side elevation view thereof;  
FIG. 5 is a right-side elevation view thereof;  
FIG. 6 is a top plan view thereof; and,  
FIG. 7 is a bottom plan view thereof.

**1 Claim, 4 Drawing Sheets**

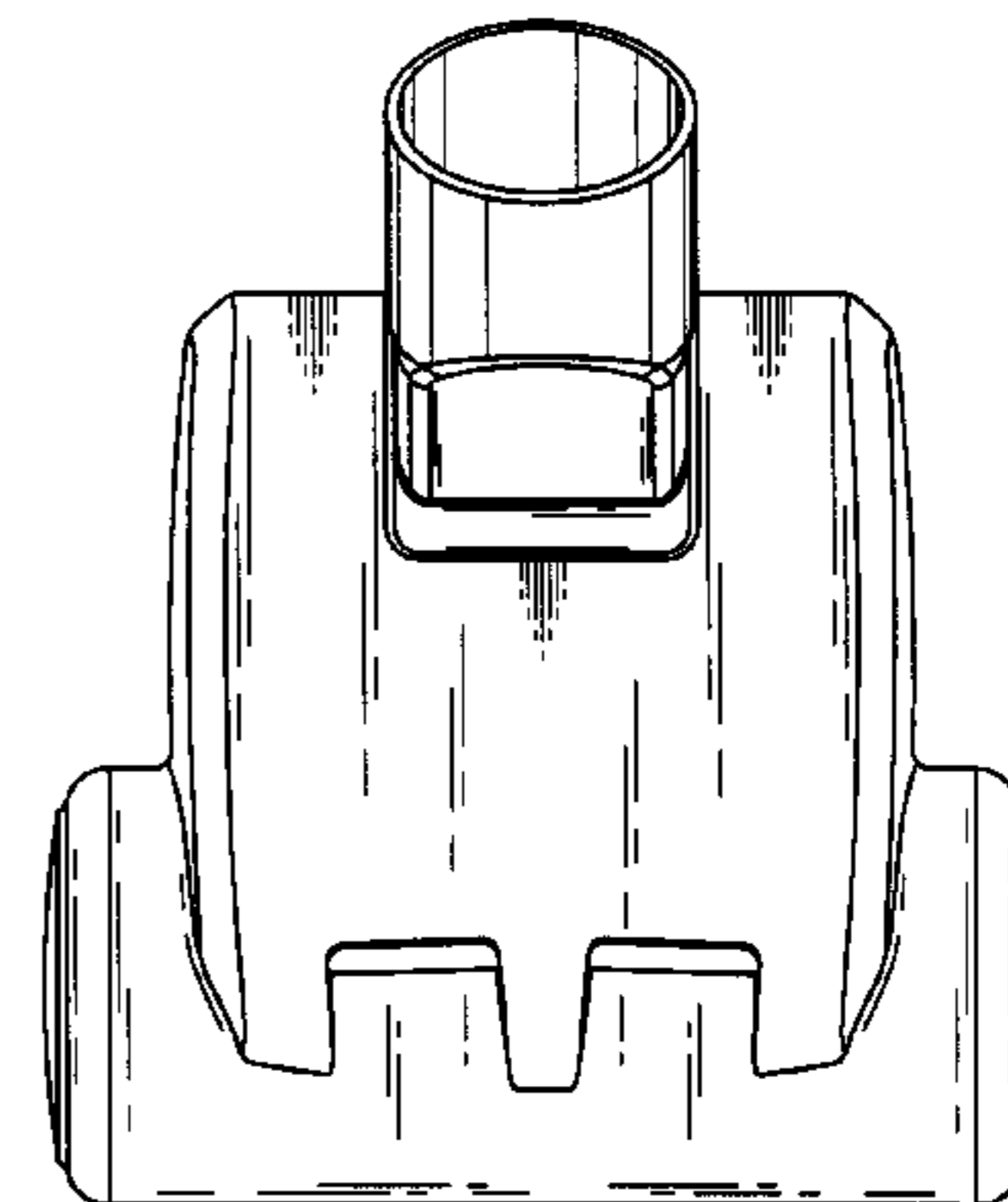
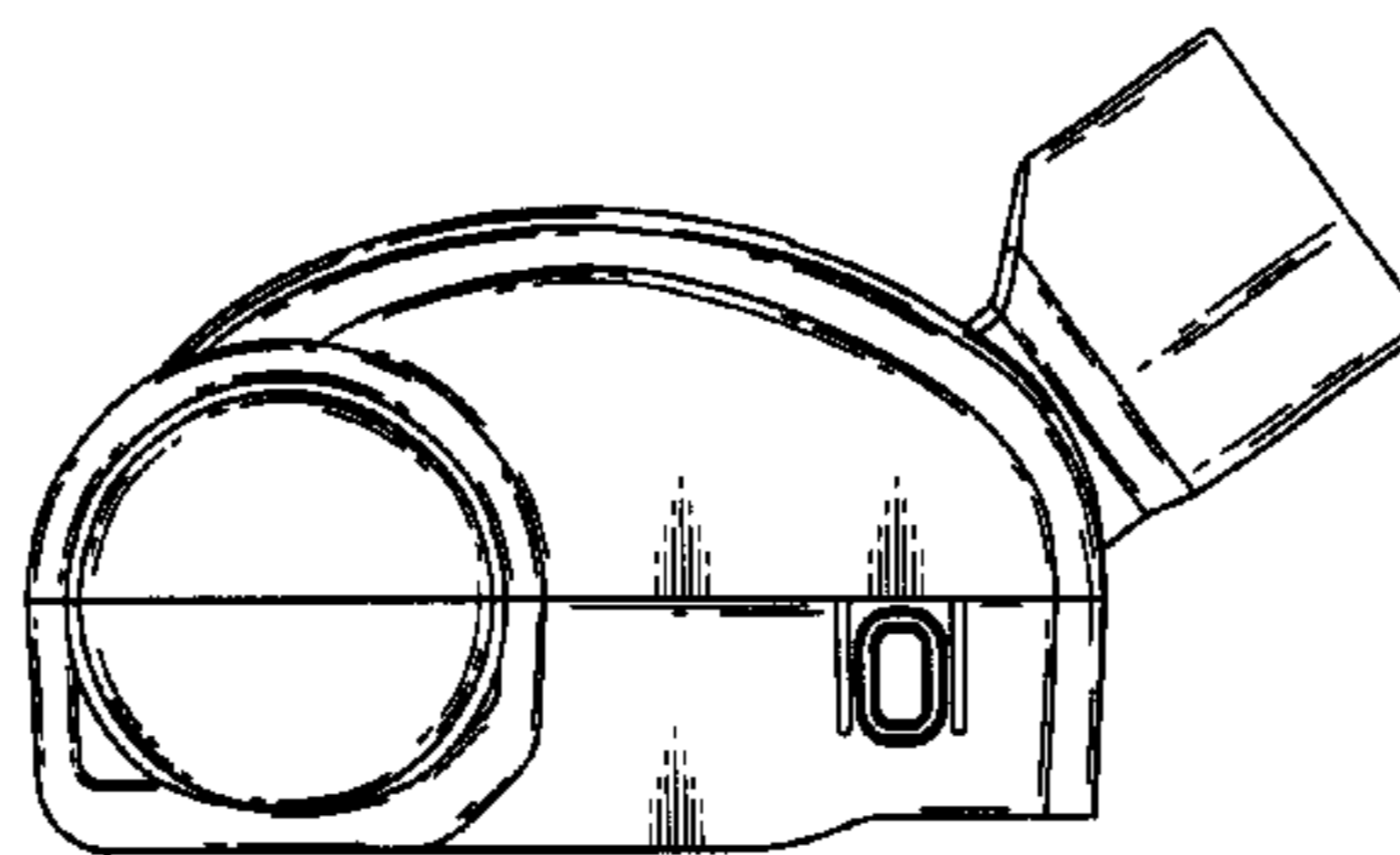
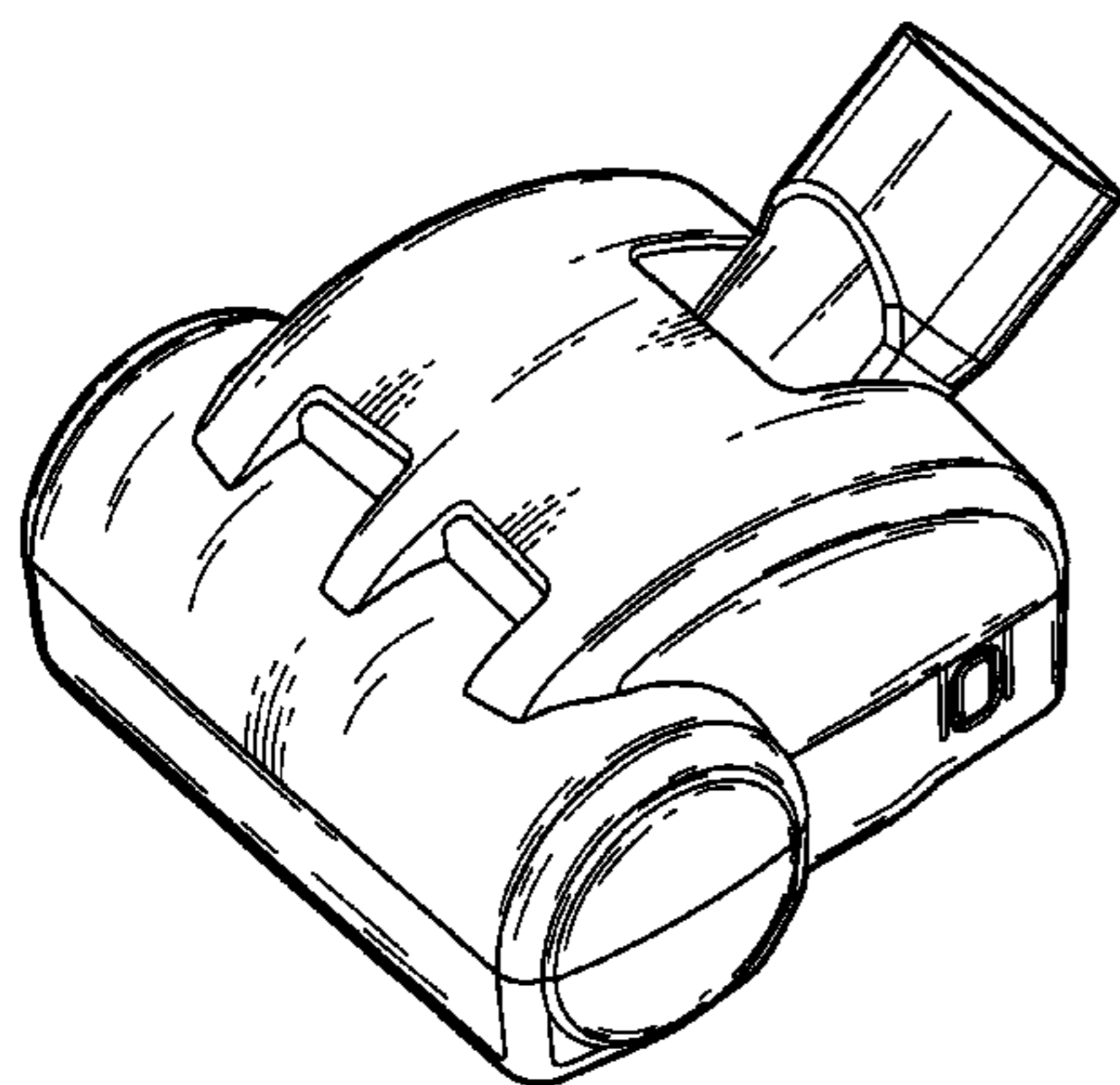


FIG. 1

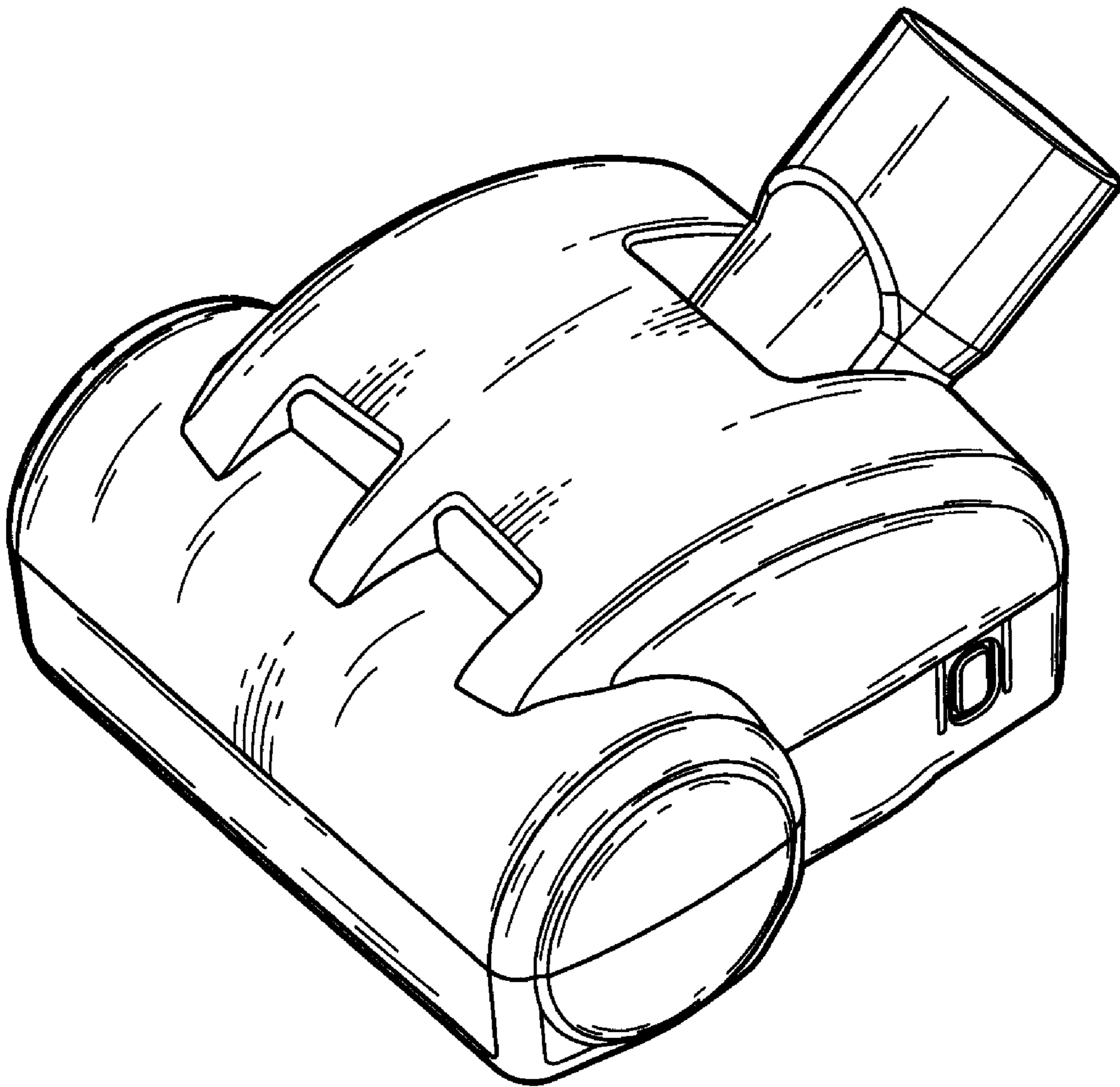


FIG. 2

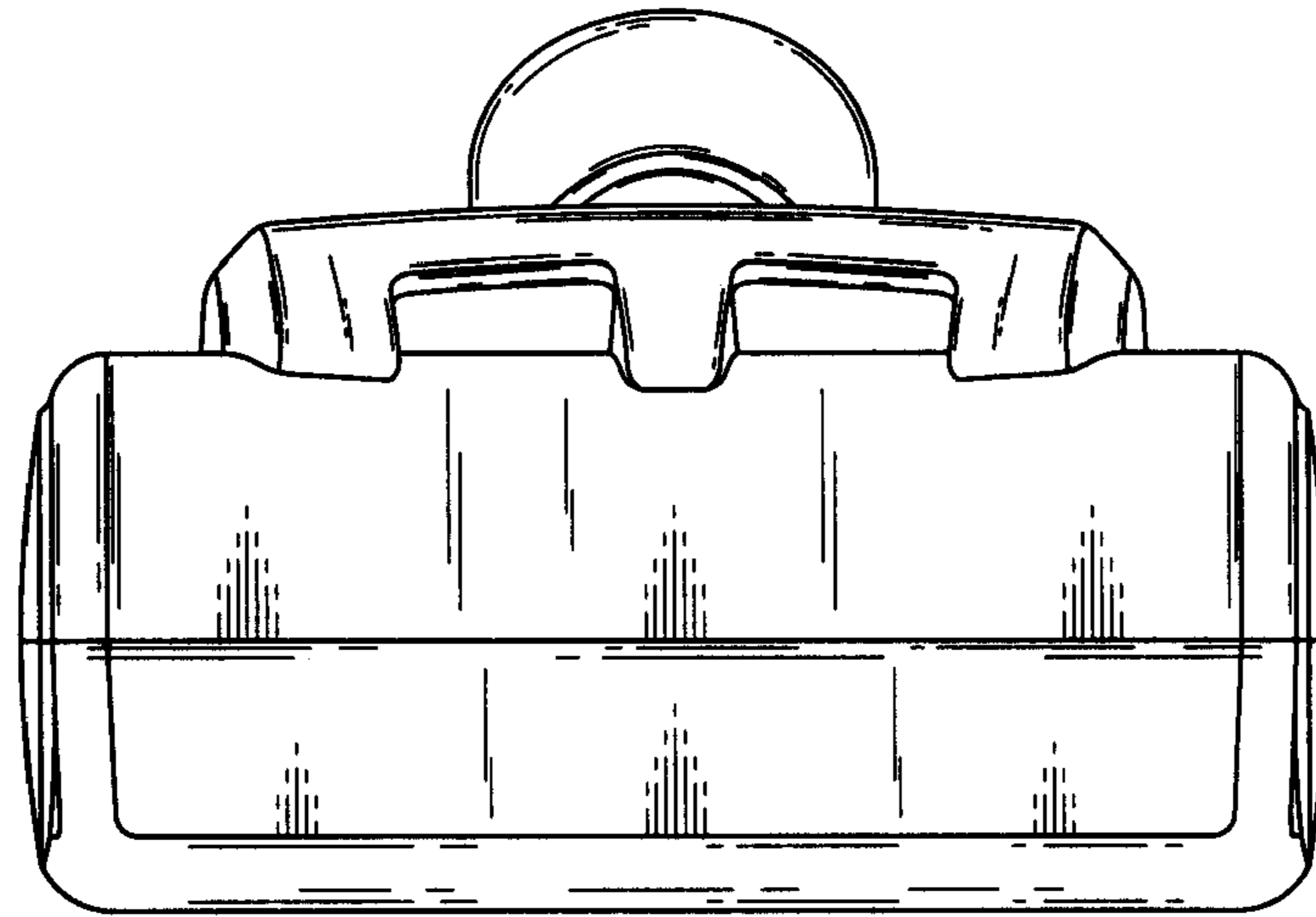


FIG. 3

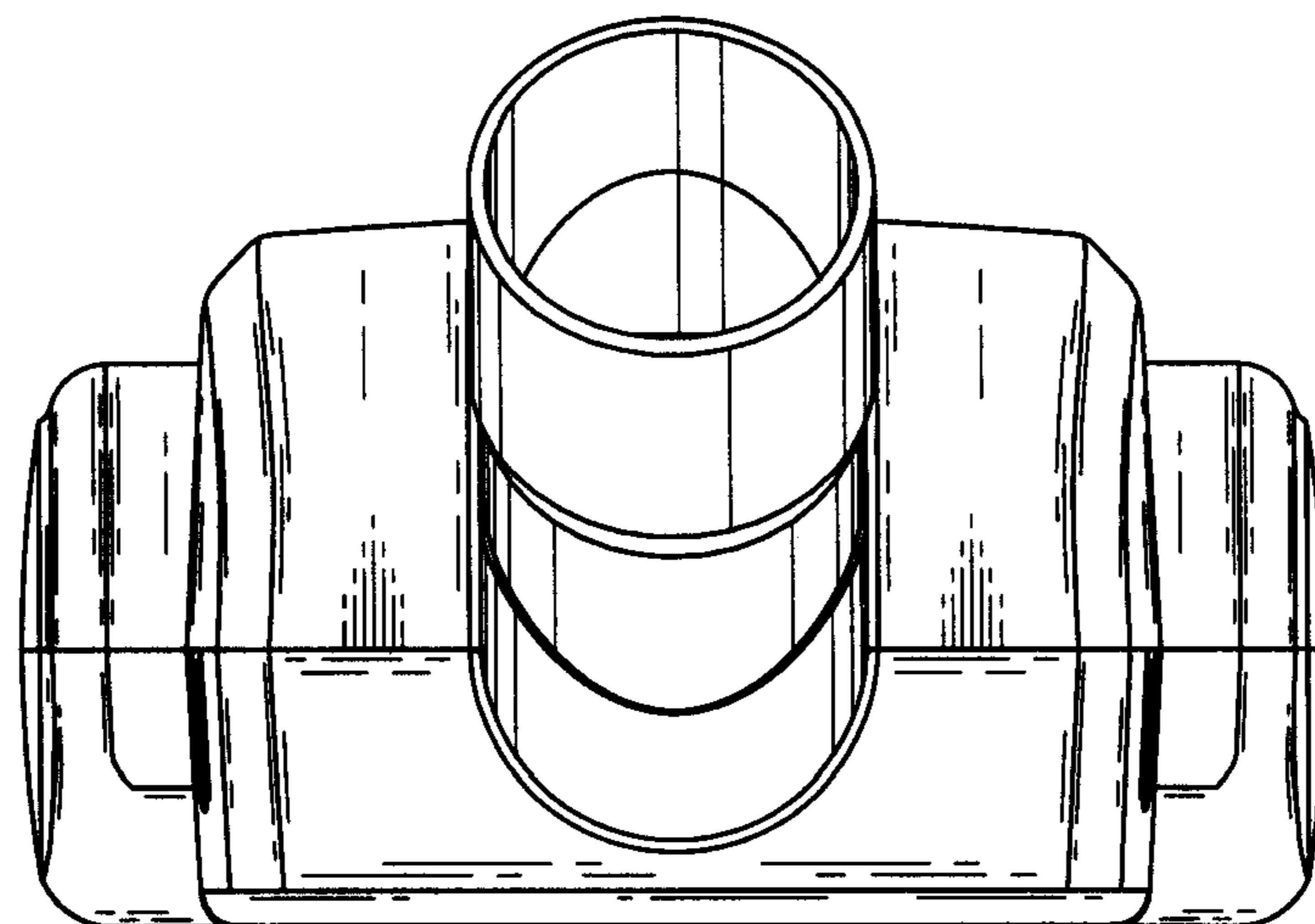


FIG. 4

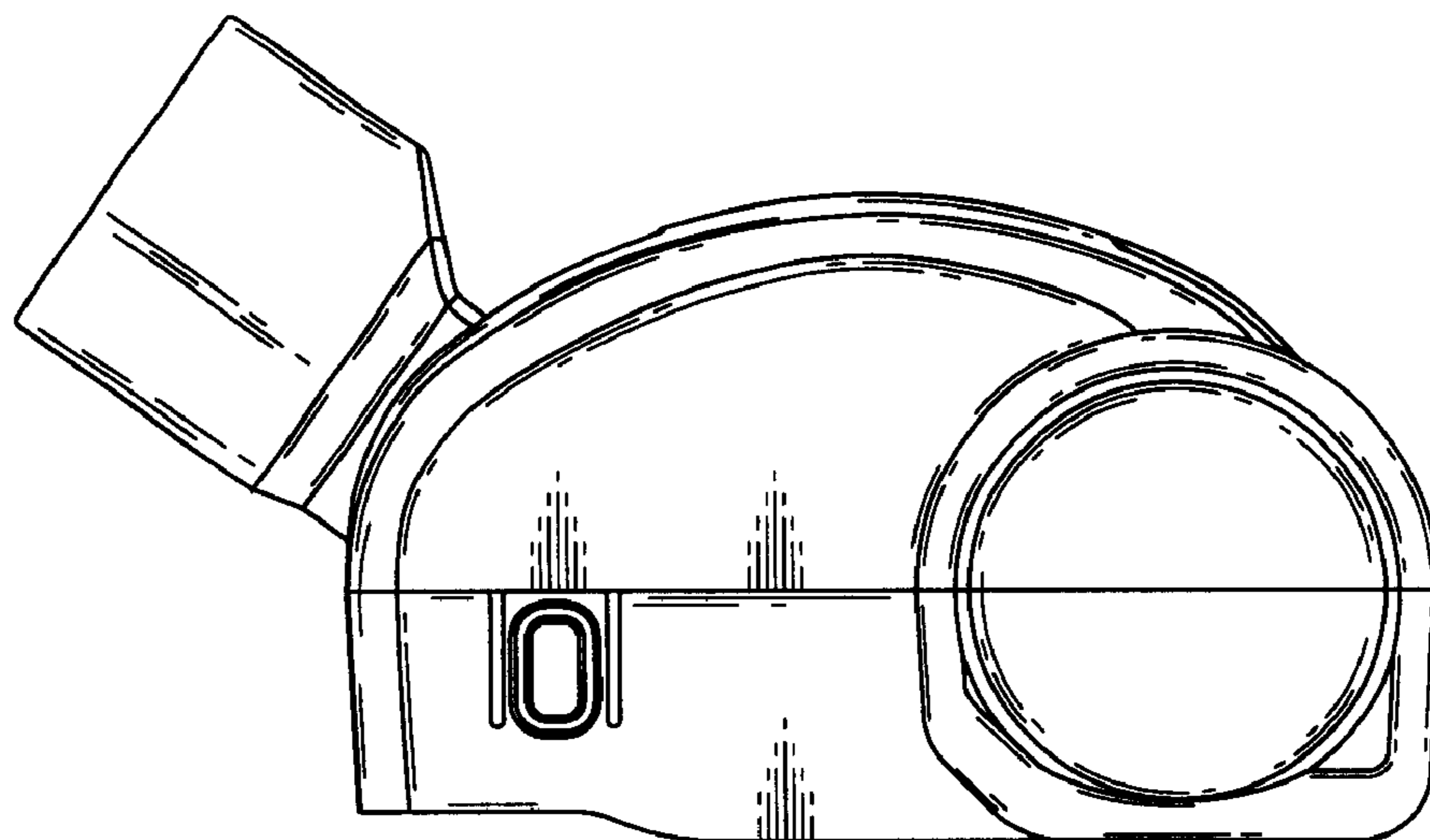


FIG. 5

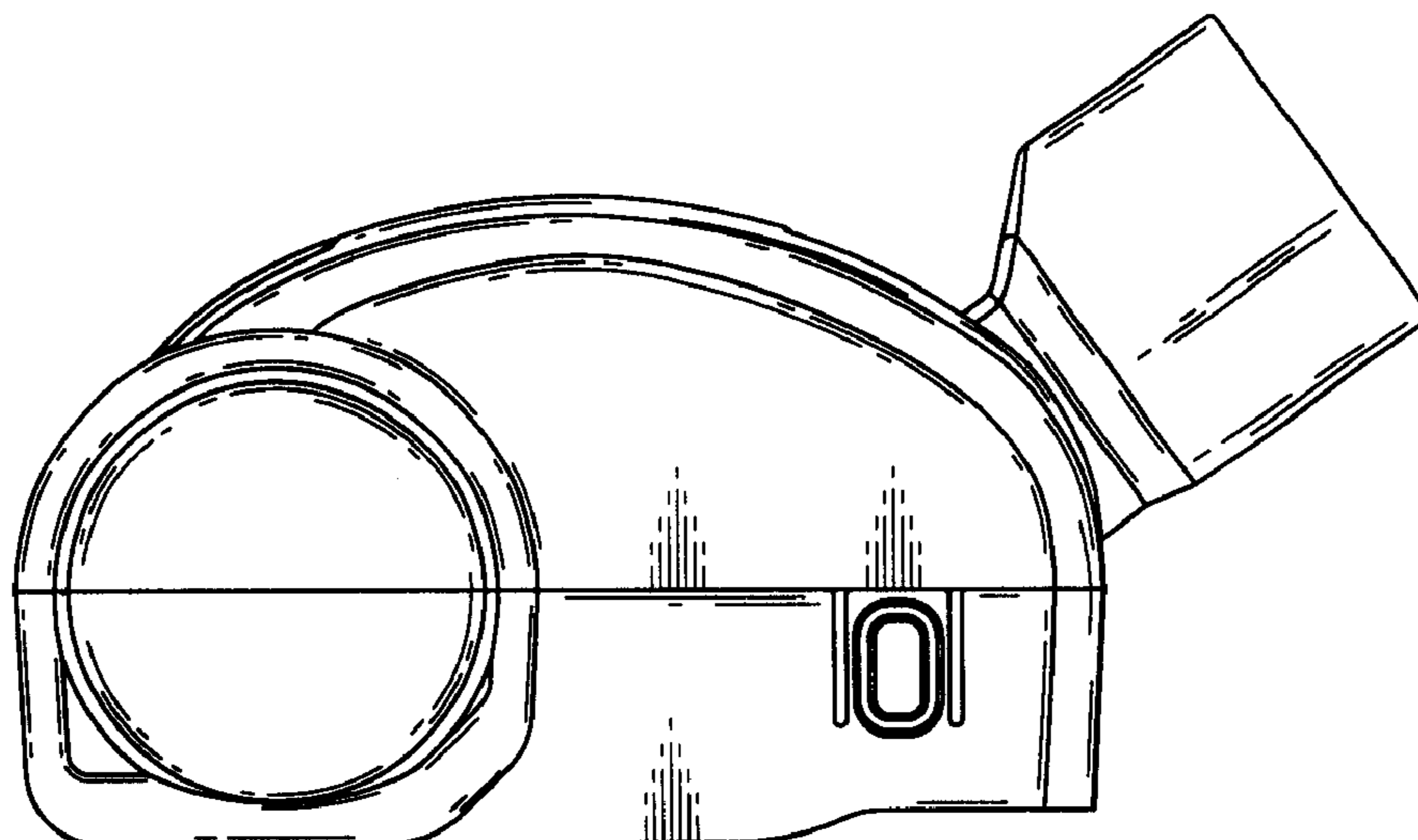


FIG. 6

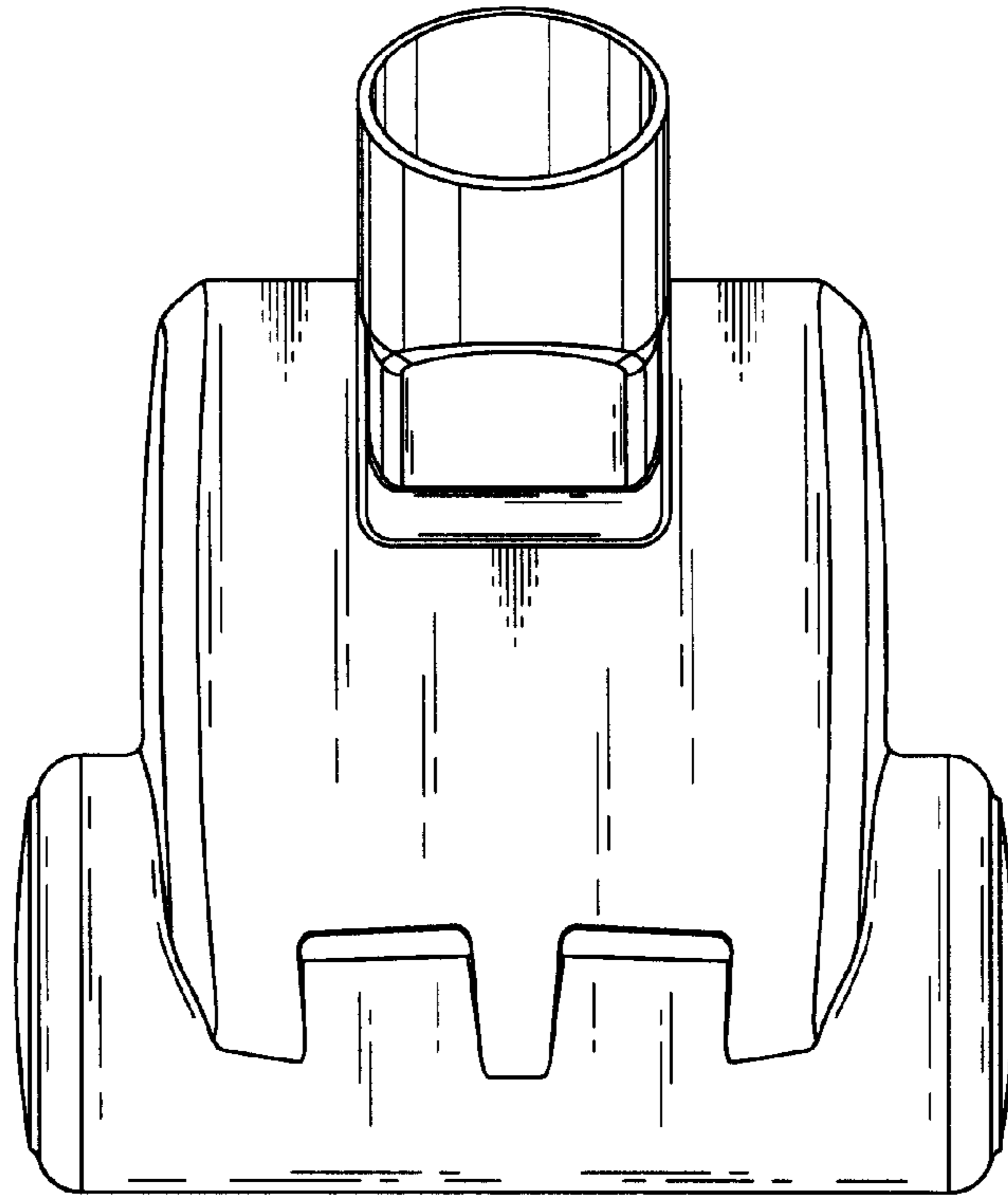


FIG. 7

