

US00D520691S

(12) **United States Design Patent**
Schober

(10) **Patent No.:** **US D520,691 S**

(45) **Date of Patent:** **** May 9, 2006**

(54) **CONTROL PANEL FOR LAUNDRY APPLIANCE**

(75) Inventor: **Stephen D. Schober**, Newton, IA (US)

(73) Assignee: **Maytag Corporation**, Newton, IA (US)

(**) Term: **14 Years**

(21) Appl. No.: **29/238,222**

(22) Filed: **Sep. 12, 2005**

(51) **LOC (8) Cl.** **15-05**

(52) **U.S. Cl.** **D32/28**

(58) **Field of Classification Search** D32/1,
D32/5-10, 25, 28; 68/3 R, 4, 5, 12.01, 212,
68/12.08; 34/58, 108, 130, 131-32, 417,
34/499, 523, 534, 595, 596, 597, 600, 603;
38/1 A; 312/31

See application file for complete search history.

(56) **References Cited**

U.S. PATENT DOCUMENTS

D391,695 S	*	3/1998	Baldwin et al.	D32/3
D444,602 S		7/2001	Saimen		
D446,890 S	*	8/2001	Cho	D32/6
D447,608 S		9/2001	Myerscough		
D450,164 S		11/2001	Dyson et al.		
D457,991 S		5/2002	Baldwin et al.		
D457,992 S		5/2002	Baldwin et al.		
D459,844 S	*	7/2002	Baldwin et al.	D32/6

D460,588 S	*	7/2002	Son	D32/6
D463,631 S		9/2002	Baldwin et al.		
D477,898 S		7/2003	Geyer		
D484,651 S	*	12/2003	Linahon et al.	D32/25
D484,652 S		12/2003	Clark et al.		
D485,400 S	*	1/2004	Kiefer et al.	D32/25
D496,513 S	*	9/2004	Tsuda et al.	D32/8
D496,709 S	*	9/2004	Suh et al.	D32/6
D502,577 S		3/2005	Baldwin et al.		

* cited by examiner

Primary Examiner—Louis S. Zarfaz

Assistant Examiner—Kathleen Sims

(74) *Attorney, Agent, or Firm*—Michael D. Lafrenz

(57) **CLAIM**

I claim the ornamental design for a control panel for laundry appliance, as shown and described.

DESCRIPTION

FIG. 1 is a perspective view of the control panel for laundry appliance according to the present invention.

FIG. 2 is a top plan view of the control panel.

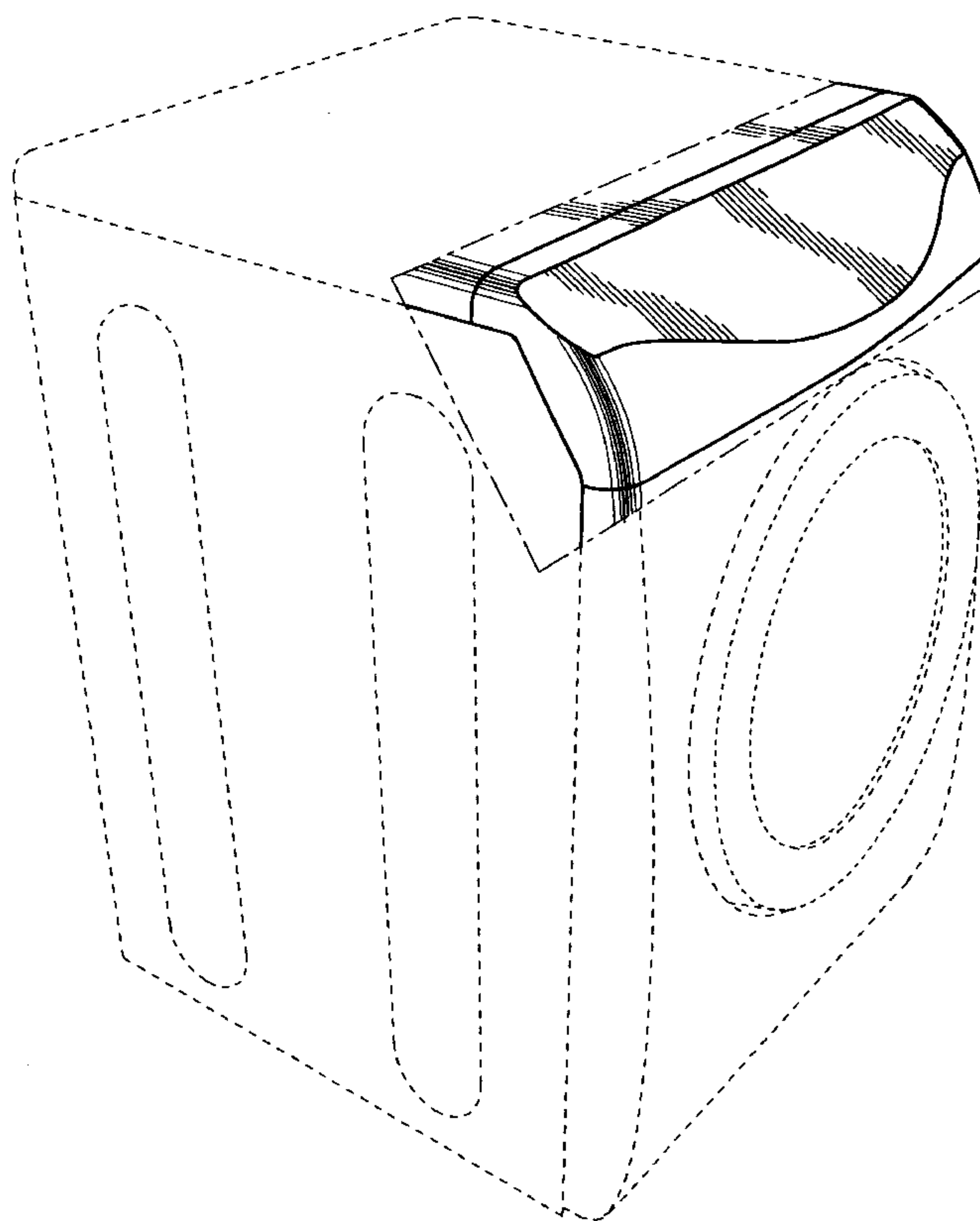
FIG. 3 is a side elevation view of the control panel; and,

FIG. 4 is a front elevation view of the control panel.

Applicant makes no claim to the bottom or rear design of the control panel.

The features in broken lines form no part of the claimed invention.

1 Claim, 2 Drawing Sheets



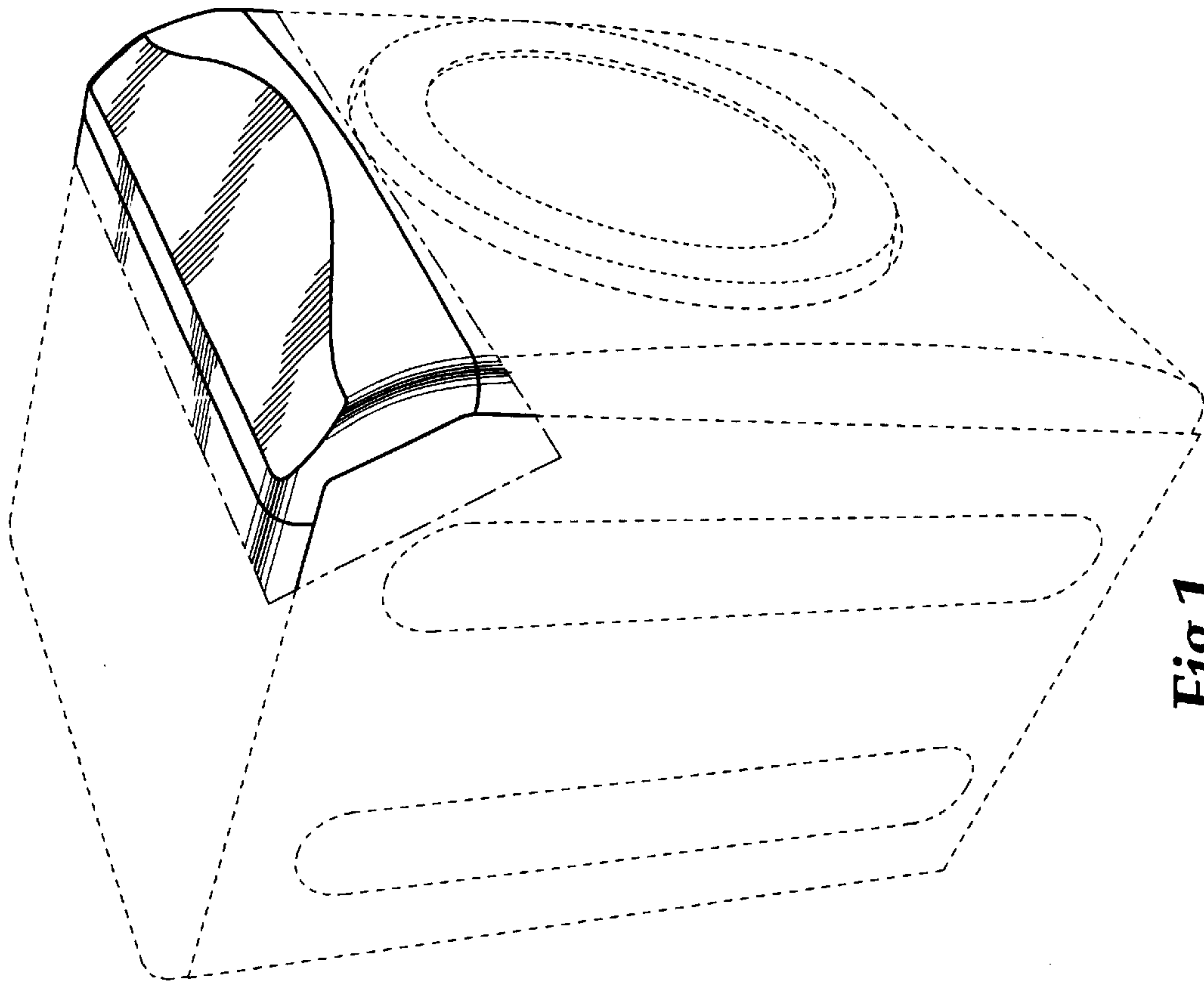


Fig.1

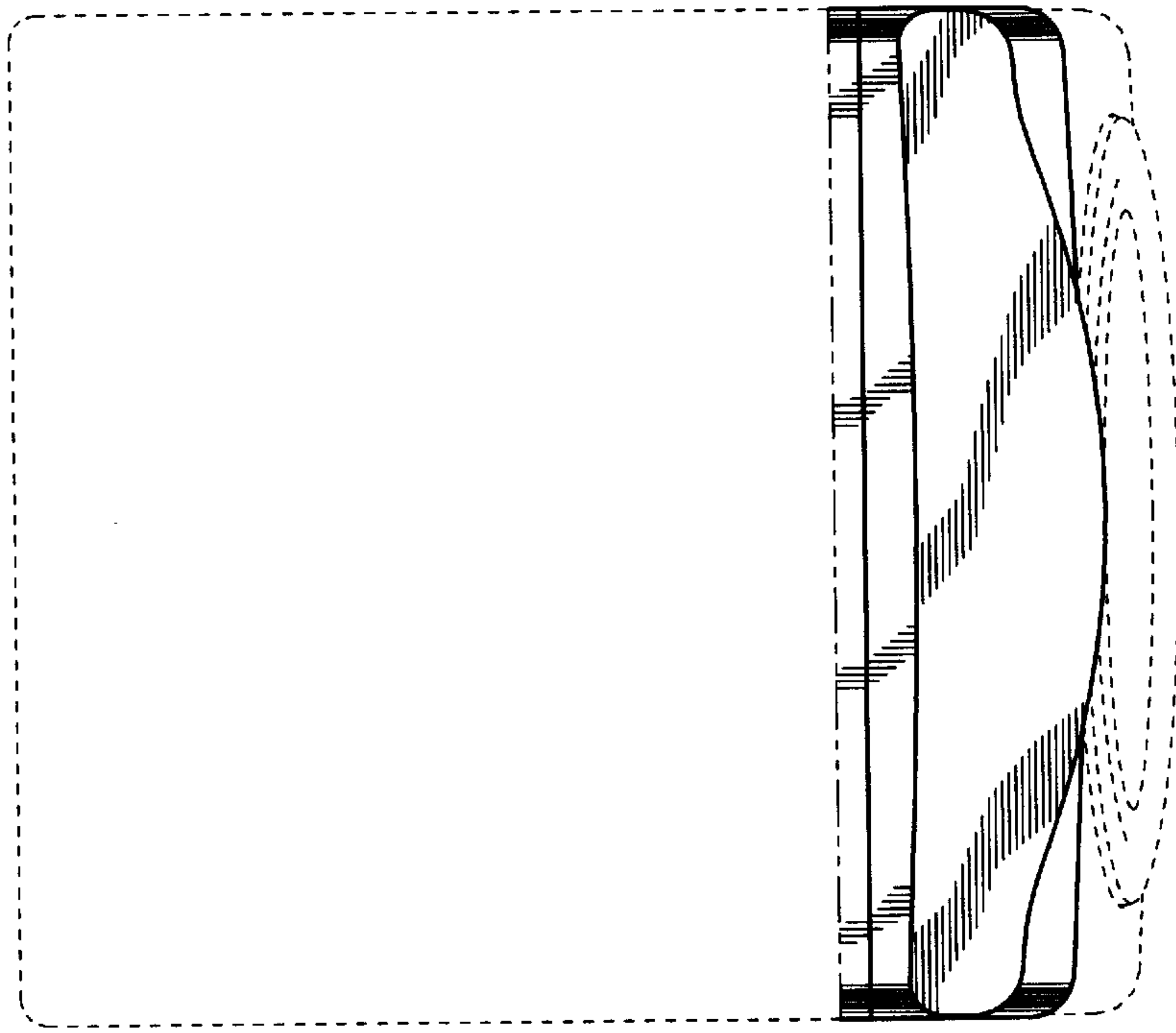


Fig.2

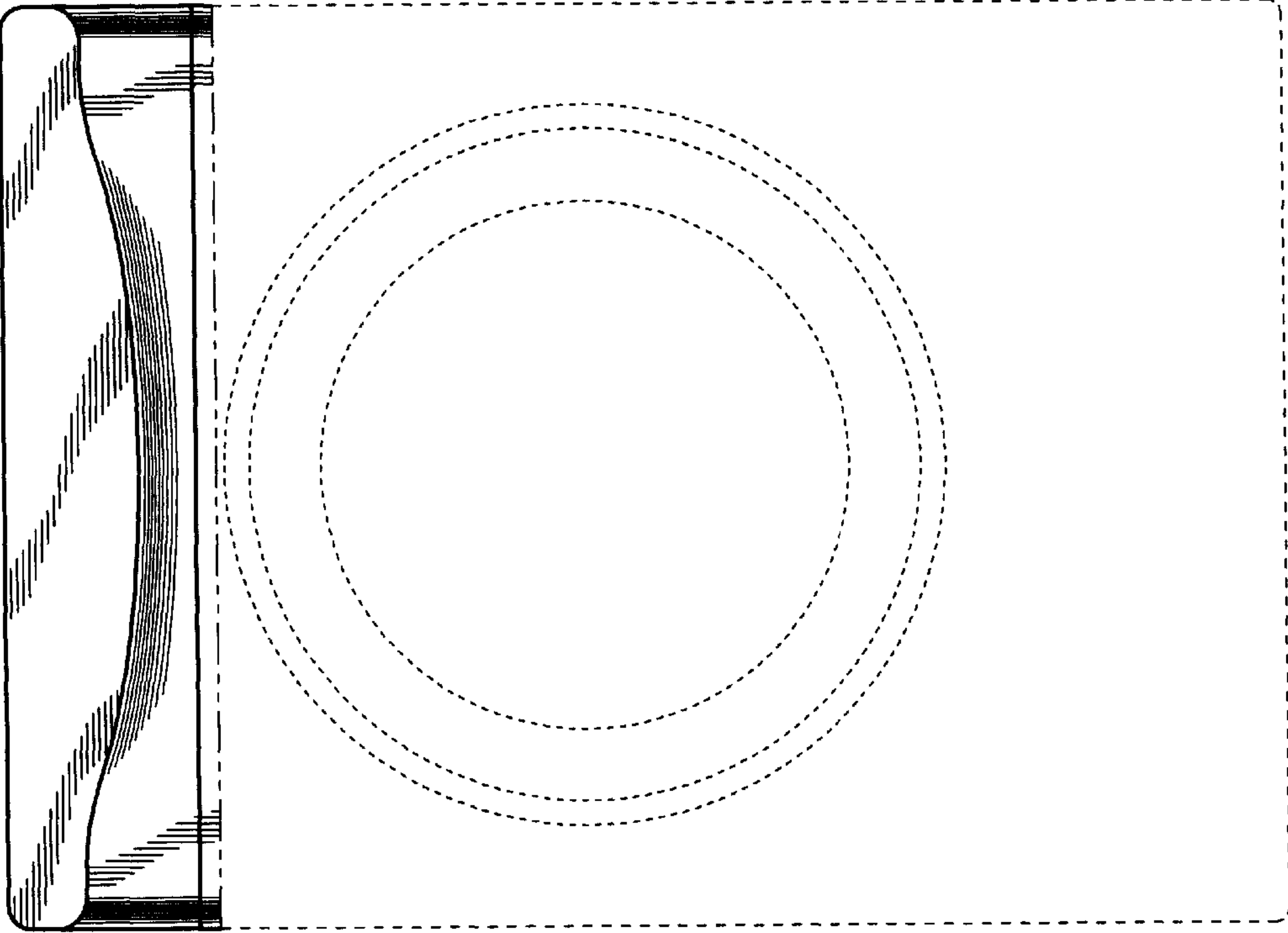


Fig. 4

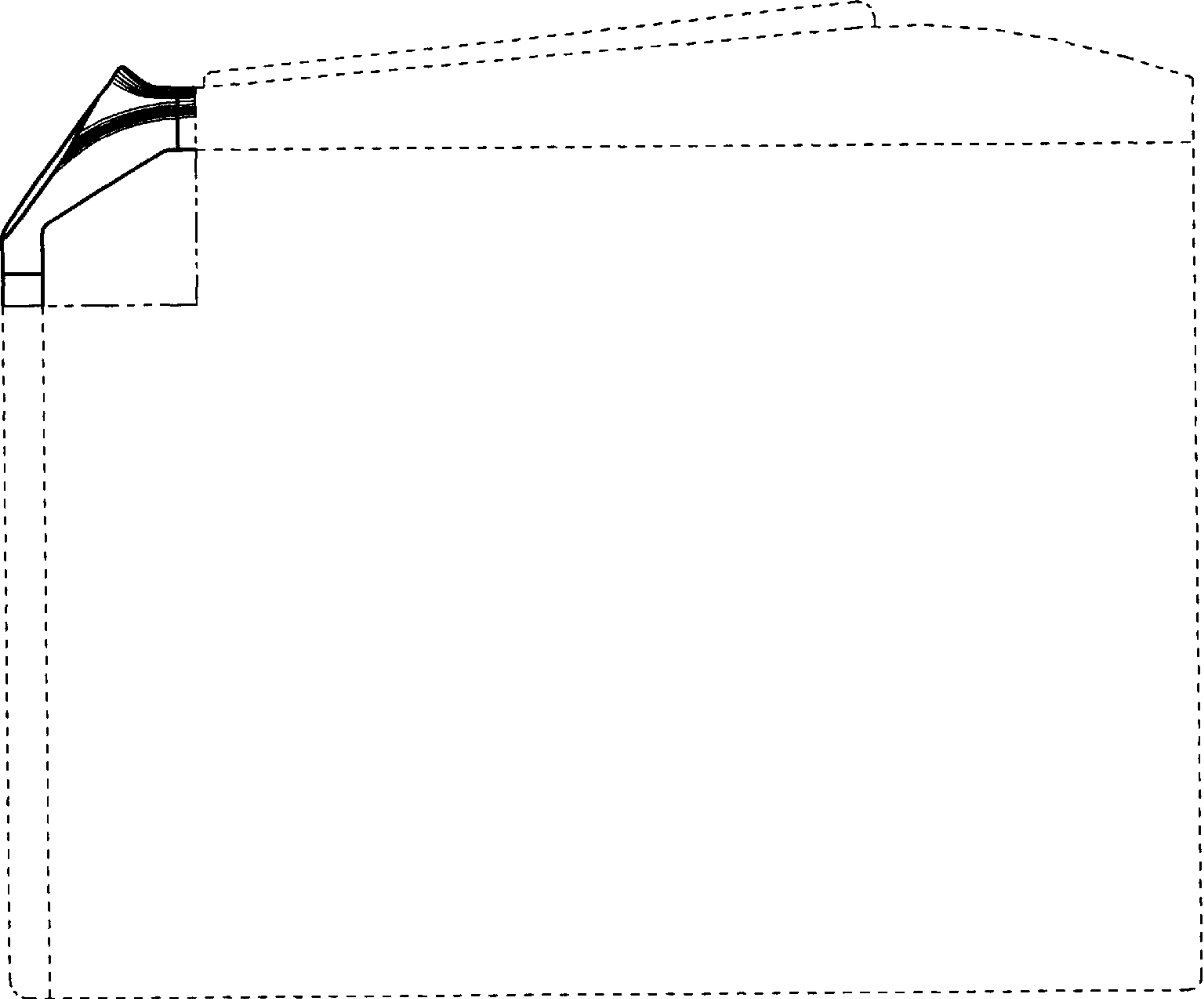


Fig. 3