



US00D520689S

(12) **United States Design Patent**
Eccardt et al.

(10) **Patent No.:** **US D520,689 S**

(45) **Date of Patent:** **** May 9, 2006**

(54) **WALL MOUNTED VACUUM CLEANER**

(75) Inventors: **Curtis J. Eccardt**, Defiance, MO (US);
Kiyoshi Hoshino, Chesterfield, MO
(US); **Mark Oberpriller**, East Point,
GA (US)

(73) Assignee: **Emerson Electric Co.**, St. Louis, MO
(US)

(**) Term: **14 Years**

(21) Appl. No.: **29/228,060**

(22) Filed: **Apr. 19, 2005**

(51) **LOC (8) Cl.** **15-05**

(52) **U.S. Cl.** **D32/21**

(58) **Field of Classification Search** 15/339,
15/415 R, DIG. 10, 301, 314, 327.5, 347,
15/327.1-327.7, 321, 320, 410, 412, 416,
15/418, 419, 420, 421, 422, 323, 322, 353;
D32/1, 15, 21, 23, 31, 24, 25

See application file for complete search history.

(56) **References Cited**

U.S. PATENT DOCUMENTS

D294,187 S * 2/1988 Bertuzzo D32/21
D314,848 S * 2/1991 Foldes D32/31
D349,370 S * 8/1994 Salo et al. D32/31

D388,565 S * 12/1997 Pietrobon D32/23
5,737,797 A * 4/1998 Rittmueller et al. 15/326
D455,531 S * 4/2002 Cartellone D32/23
6,557,206 B1 5/2003 Liu
6,574,826 B1 * 6/2003 Turkal 15/314
2002/0178531 A1 * 12/2002 Plomteux et al. 15/326

* cited by examiner

Primary Examiner—Louis S. Zarfes

Assistant Examiner—Kathleen Sims

(74) *Attorney, Agent, or Firm*—Locke Liddell & Sapp LLP

(57) **CLAIM**

The ornamental design for a wall mounted vacuum cleaner,
as shown and described.

DESCRIPTION

FIG. 1 is a top front perspective view of a wall mounted
vacuum cleaner, showing the new design;

FIG. 2 is a front elevation view;

FIG. 3 is a back elevation view;

FIG. 4 is a side elevation view;

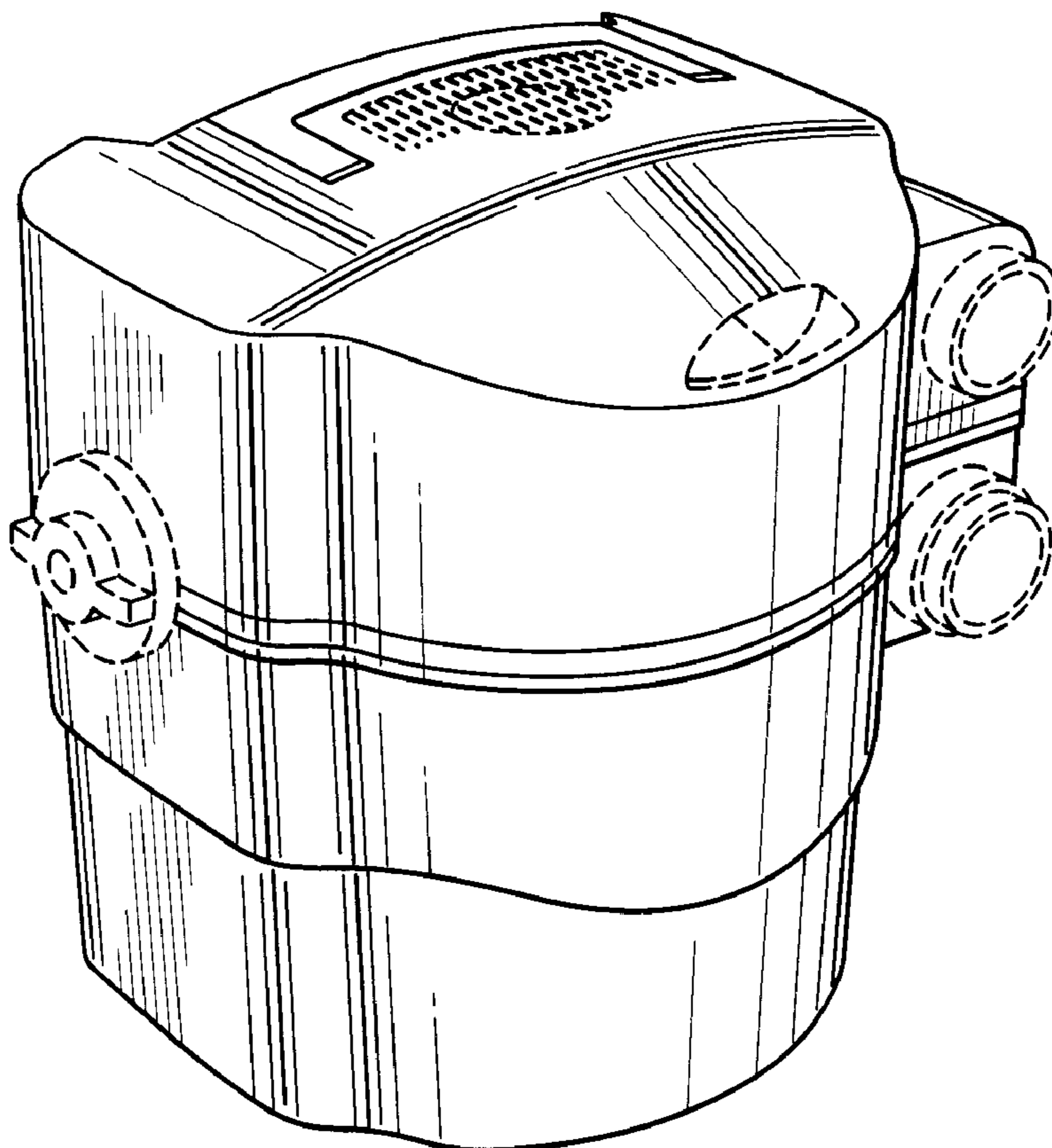
FIG. 5 is a side elevation view of the side opposite of that
shown in FIG. 4;

FIG. 6 is a top plan view; and,

FIG. 7 is a bottom view.

The broken lines of FIGS. 1-7 are for illustrative purposes
only and form no part of the claimed design.

1 Claim, 4 Drawing Sheets



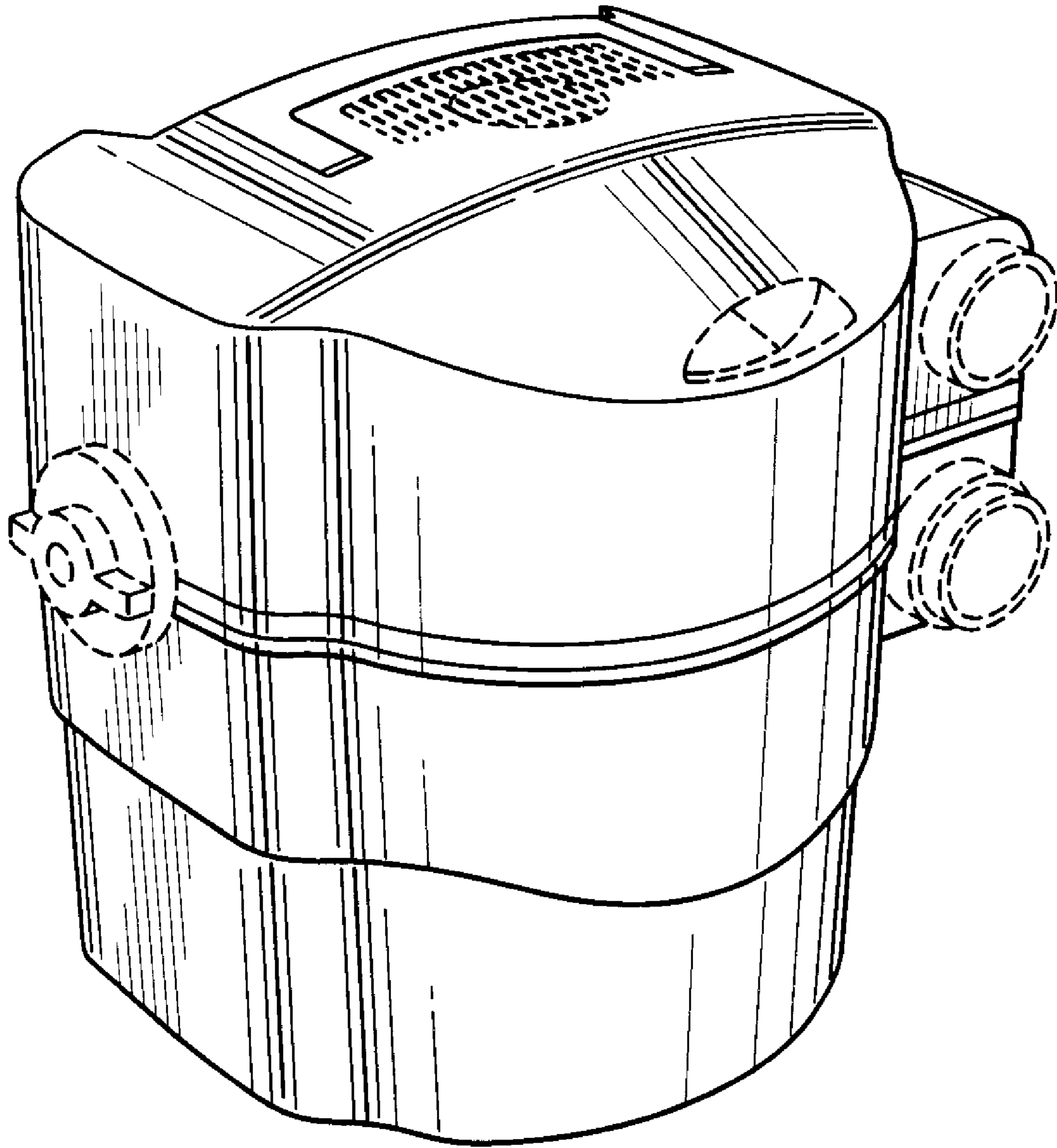


FIG. 1

FIG. 2

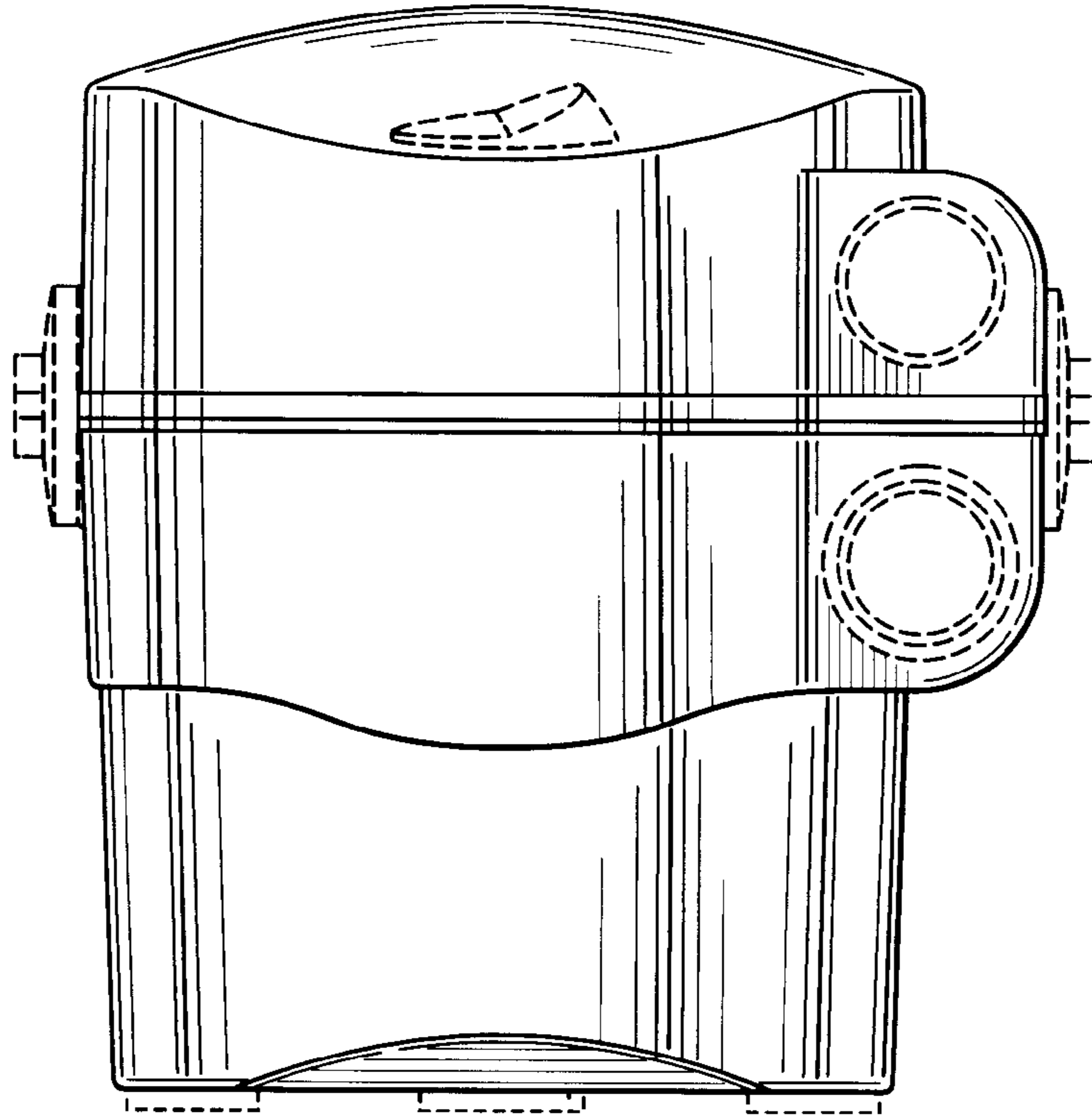


FIG. 3

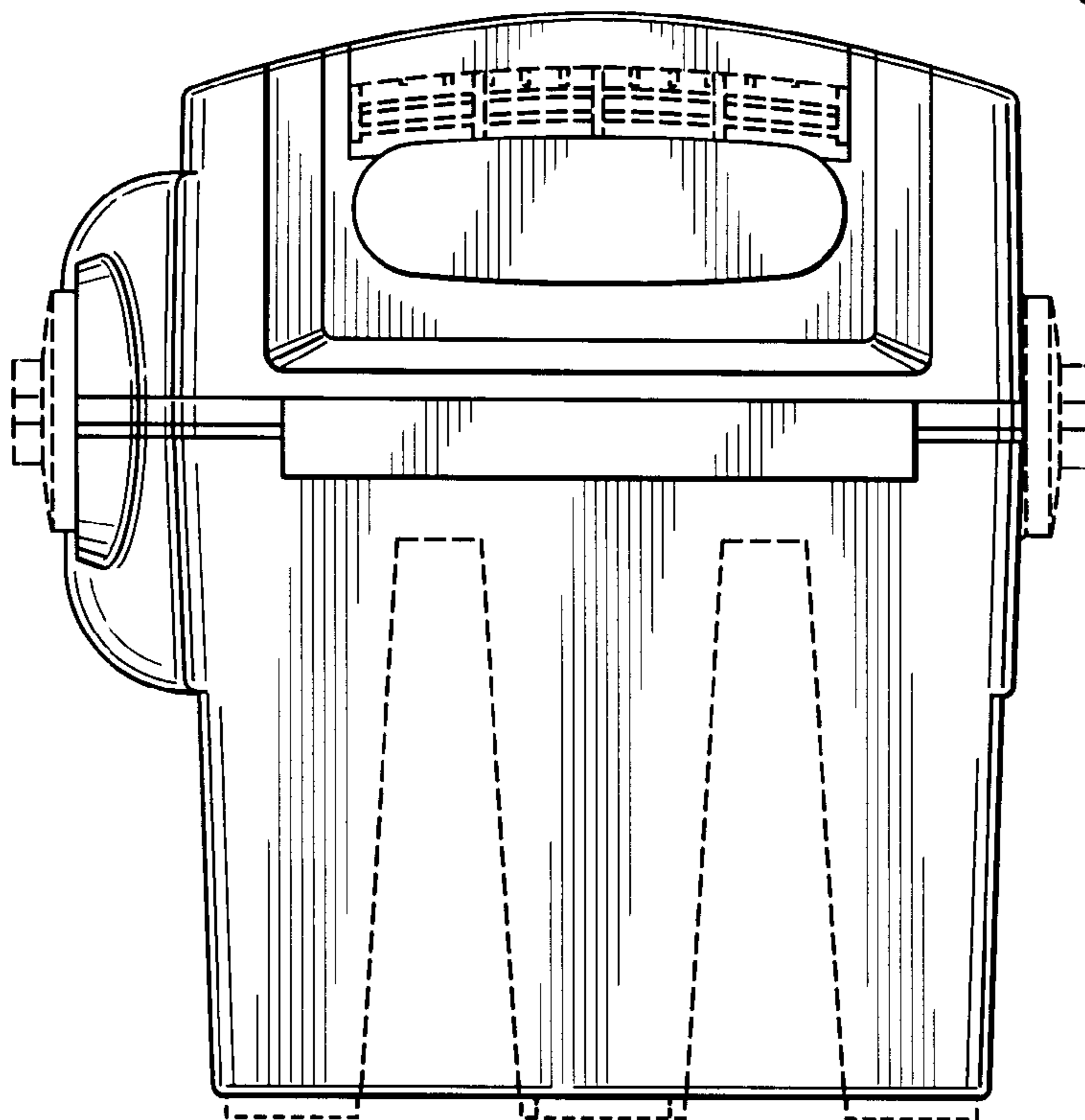


FIG. 4

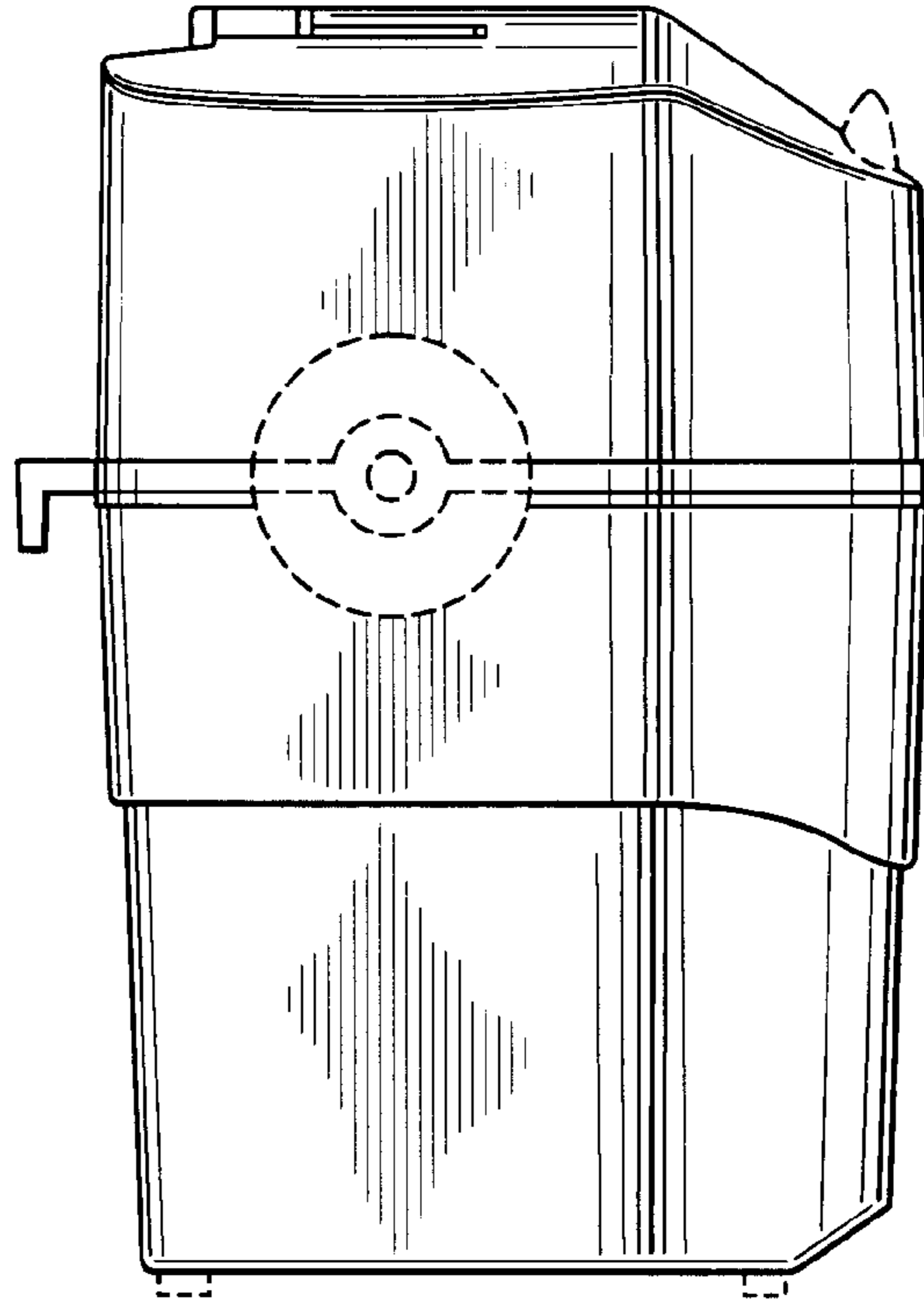


FIG. 5

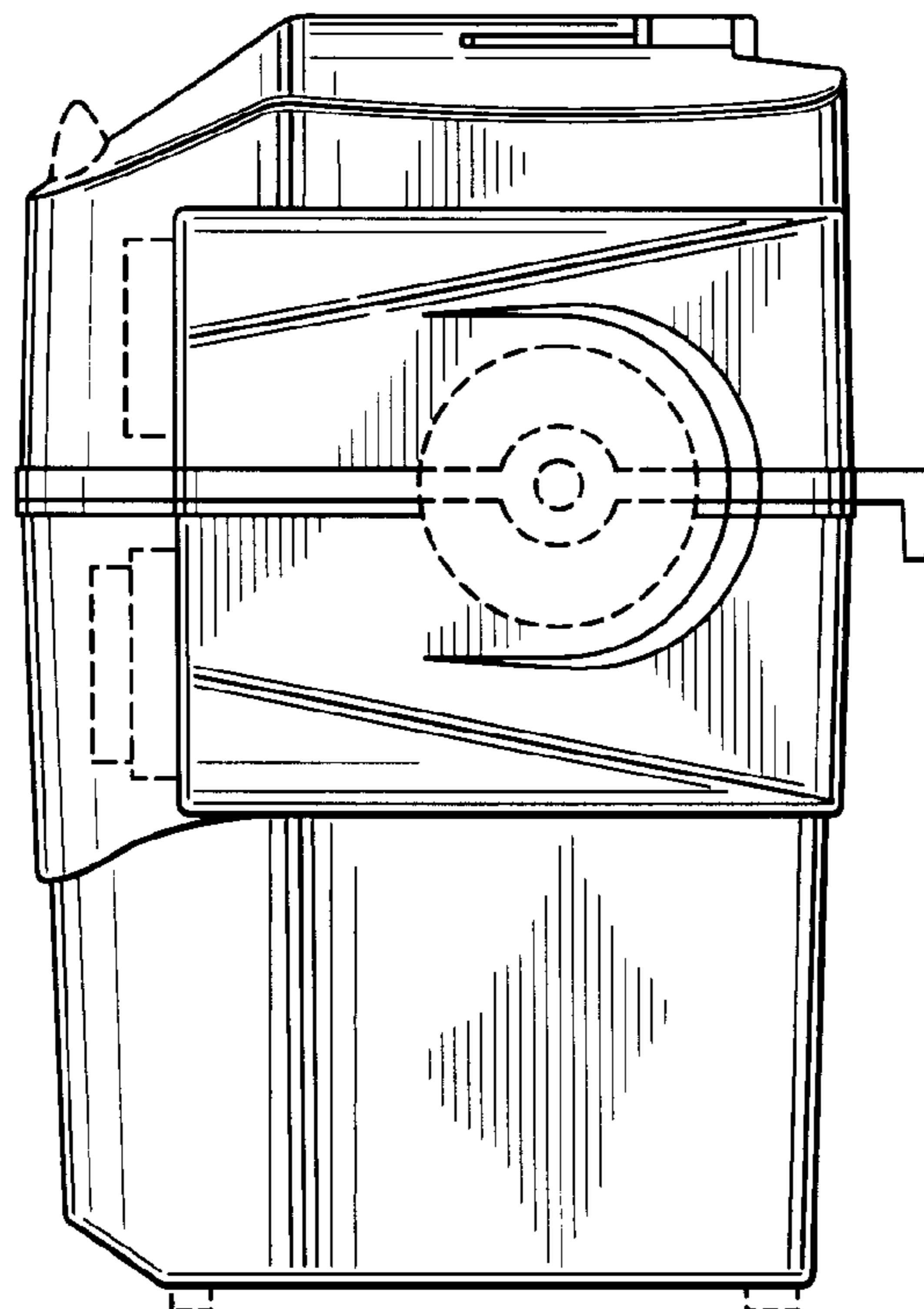


FIG. 6

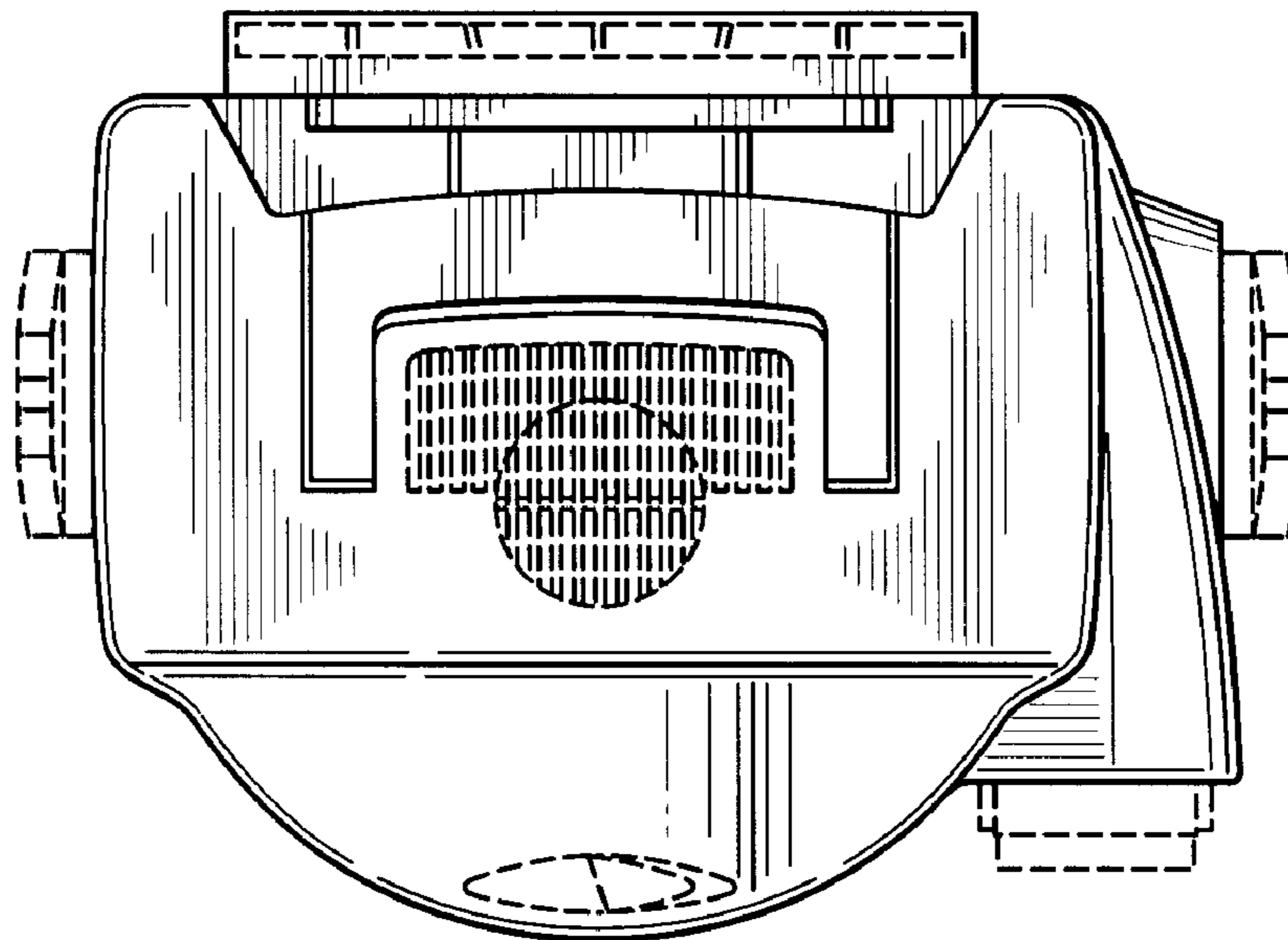


FIG. 7

