



US00D520688S

(12) **United States Design Patent**  
**Bakker**

(10) **Patent No.:** **US D520,688 S**

(45) **Date of Patent:** **\*\* May 9, 2006**

(54) **HANDHELD POLISHER**

(75) Inventor: **Rients Mathijs Bakker**, Shanghai (CN)

(73) Assignee: **Jinding Group Co., Ltd.**, Shanghai (CN)

(\*\*) Term: **14 Years**

(21) Appl. No.: **29/199,397**

(22) Filed: **Feb. 13, 2004**

(51) **LOC (8) Cl.** ..... **15-05**

(52) **U.S. Cl.** ..... **D32/19**

(58) **Field of Classification Search** ..... D32/1,  
D32/15, 19; D8/61, 62, 67, 69, 70; 15/97.1,  
15/DIG. 10; 451/344, 357, 358, 359, 360,  
451/353, 354, 355, 356

See application file for complete search history.

(56) **References Cited**

**U.S. PATENT DOCUMENTS**

D312,714 S	12/1990	Simonelli et al.	
D313,094 S	* 12/1990	Itaya et al. ....	D32/19
D332,734 S	1/1993	Fushiya et al.	
D336,229 S	6/1993	Bunyea	
5,496,207 A	3/1996	Hornung et al.	
5,564,969 A	10/1996	Tsang	
D379,749 S	6/1997	Gildersleeve et al.	
D380,069 S	6/1997	McCracken	
D380,950 S	7/1997	Gildersleeve et al.	
D387,515 S	12/1997	Nottingham et al.	
5,709,596 A	1/1998	Alexander et al.	
D392,778 S	3/1998	McCracken	
D411,424 S	6/1999	Saito	
D414,666 S	10/1999	Cortes	
D416,112 S	11/1999	Holliday et al.	
D418,263 S	12/1999	Rees	
D418,264 S	12/1999	Rees	
D418,642 S	1/2000	Rees	
6,120,362 A	9/2000	Etter et al.	
D431,437 S	10/2000	Niwa et al.	
D432,744 S	10/2000	Schuda et al.	
D434,296 S	11/2000	Ogasawara	
D447,397 S	9/2001	Netzler	

6,386,961 B1	5/2002	Cureton	
6,394,884 B1	5/2002	Wuensch	
6,454,640 B1	9/2002	Siedler et al.	
D465,074 S	10/2002	McCracken et al.	
D466,776 S	12/2002	Hsiao	
D468,177 S	1/2003	Goto	
D468,179 S	1/2003	Hayakawa et al.	
D468,609 S	1/2003	Goto	
D469,932 S	* 2/2003	Liang-Ming .....	D32/15
D469,933 S	2/2003	Liang-Ming	
D470,278 S	2/2003	Liang-Ming	

(Continued)

**OTHER PUBLICATIONS**

www.eastwoodco.com.  
www.brookstone.com.  
www.topoftheline.com.  
www.canadiantire.ca.

*Primary Examiner*—Louis S. Zarfaz

*Assistant Examiner*—Kathleen Sims

(74) *Attorney, Agent, or Firm*—Alston & Bird LLP

(57) **CLAIM**

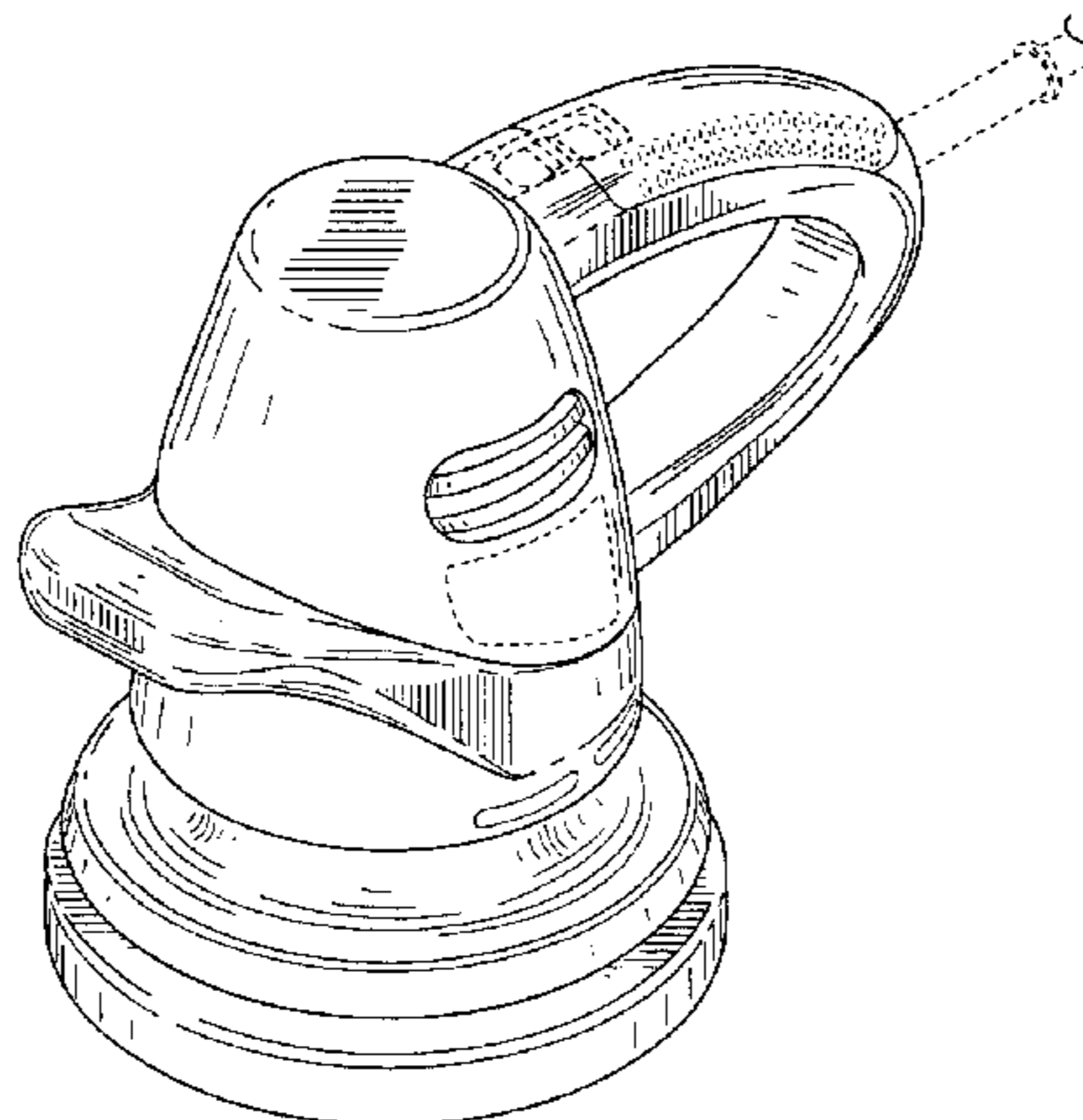
The ornamental design for a handheld polisher, as shown and described.

**DESCRIPTION**

FIG. 1 is a perspective view of a handheld polisher according to the present design;  
FIG. 2 is a left side elevation view of the handheld polisher shown in FIG. 1;  
FIG. 3 is a front elevation view of the handheld polisher shown in FIG. 1;  
FIG. 4 is a rear elevation view of the handheld polisher shown in FIG. 1;  
FIG. 5 is a top plan view of the handheld polisher shown in FIG. 1; and,  
FIG. 6 is a bottom plan view of the handheld polisher shown in FIG. 1.

The broken lines shown herein are for illustrative purposes only and form no part of the claimed design.

**1 Claim, 6 Drawing Sheets**



# US D520,688 S

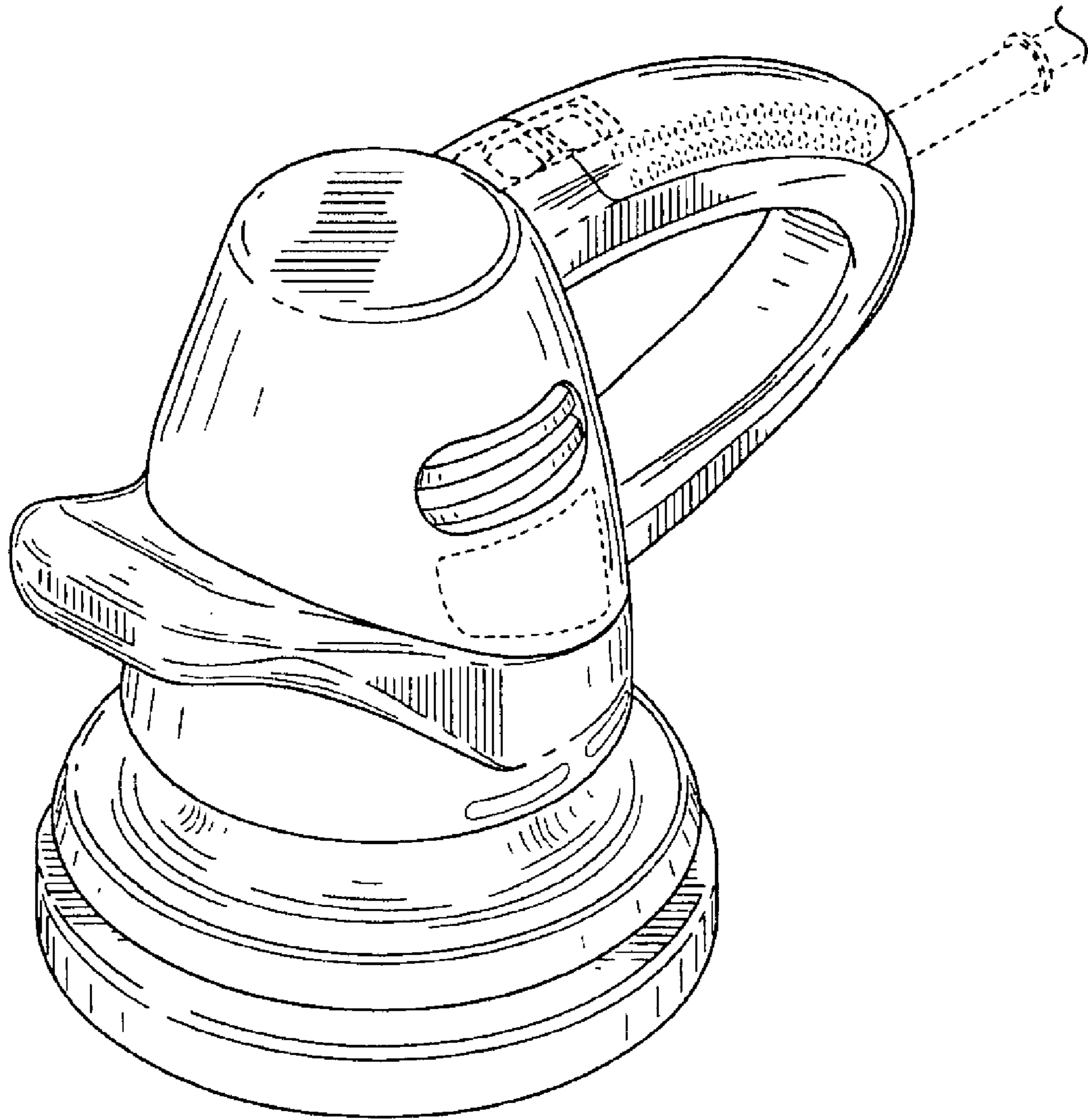
Page 2

---

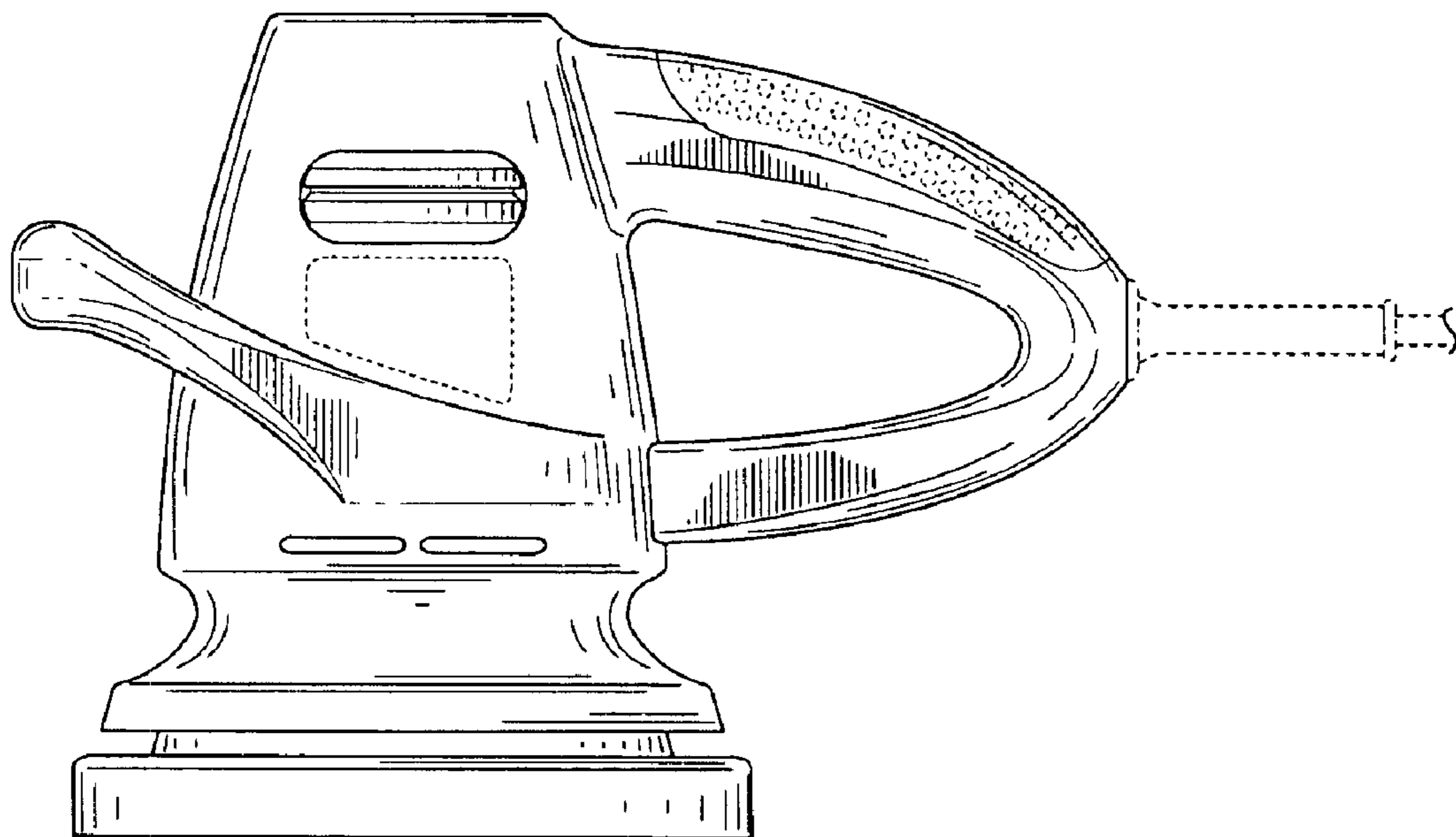
## U.S. PATENT DOCUMENTS

D471,329 S	3/2003	Heun	D479,452 S	9/2003	Cho
D471,681 S	3/2003	Krieger et al.	D479,969 S	9/2003	Robson et al.
D475,263 S	6/2003	Andriolo	D489,151 S *	4/2004	Krieger et al. .... D32/15
D475,818 S	6/2003	Krieger et al.	6,810,547 B1 *	11/2004	Hung ..... 15/28
D475,908 S	6/2003	Boyer	2002/0182991 A1 *	12/2002	Hung ..... 451/359
D476,119 S	6/2003	Boyer et al.	2005/0153637 A1 *	7/2005	Janson ..... 451/359
D478,488 S	8/2003	Bruno et al.			

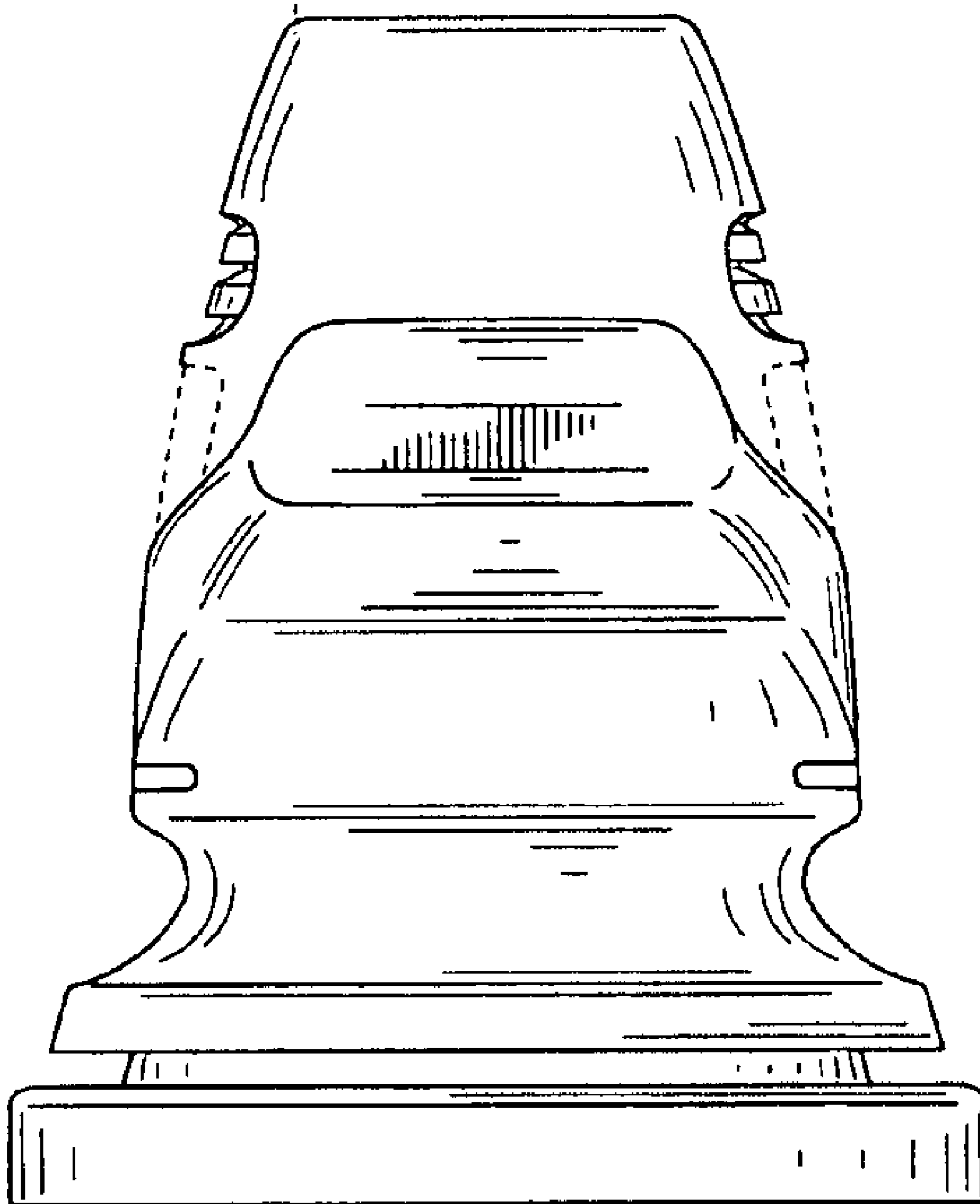
\* cited by examiner



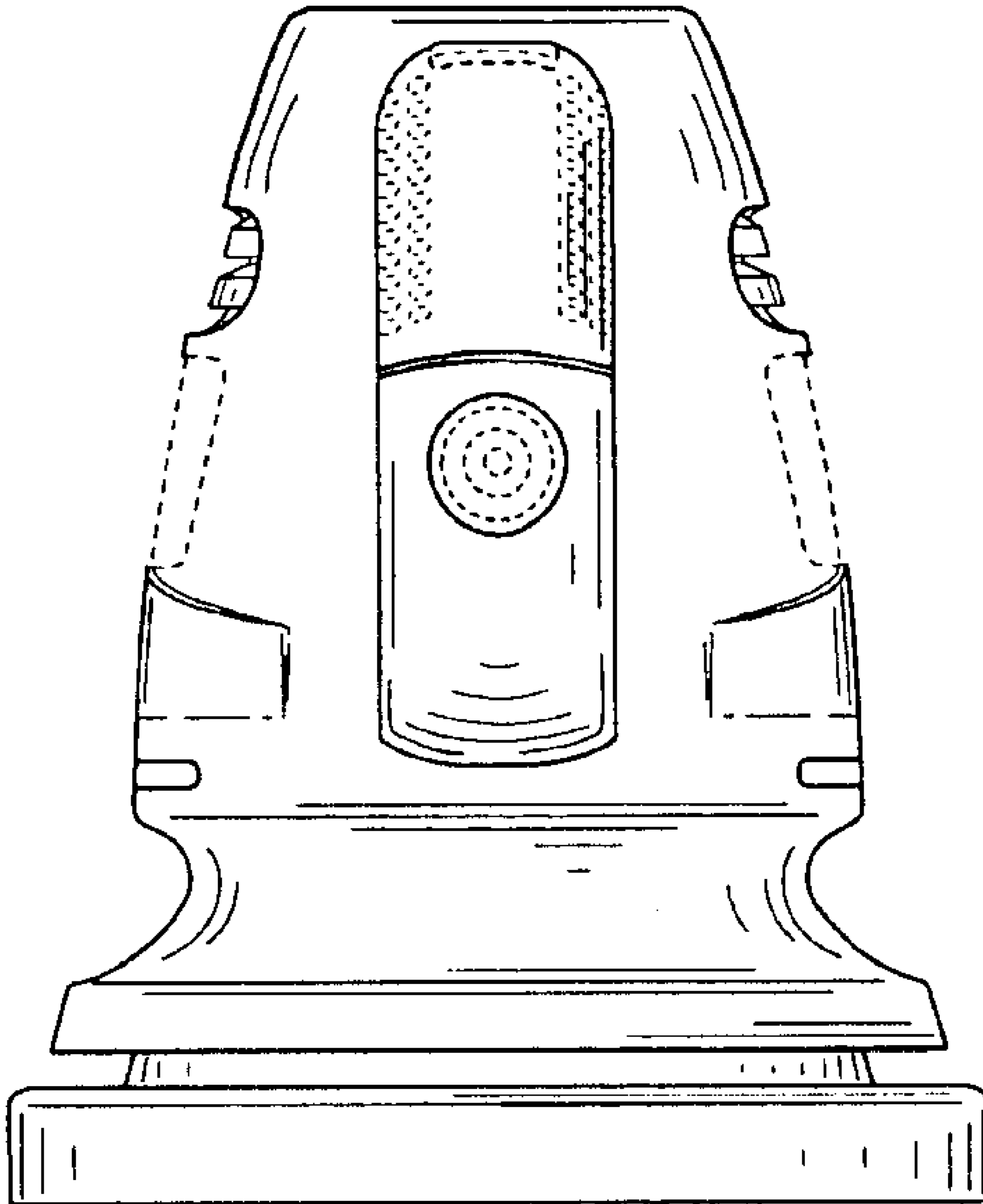
**FIG. 1**



*FIG. 2*



**FIG. 3**



**FIG. 4**

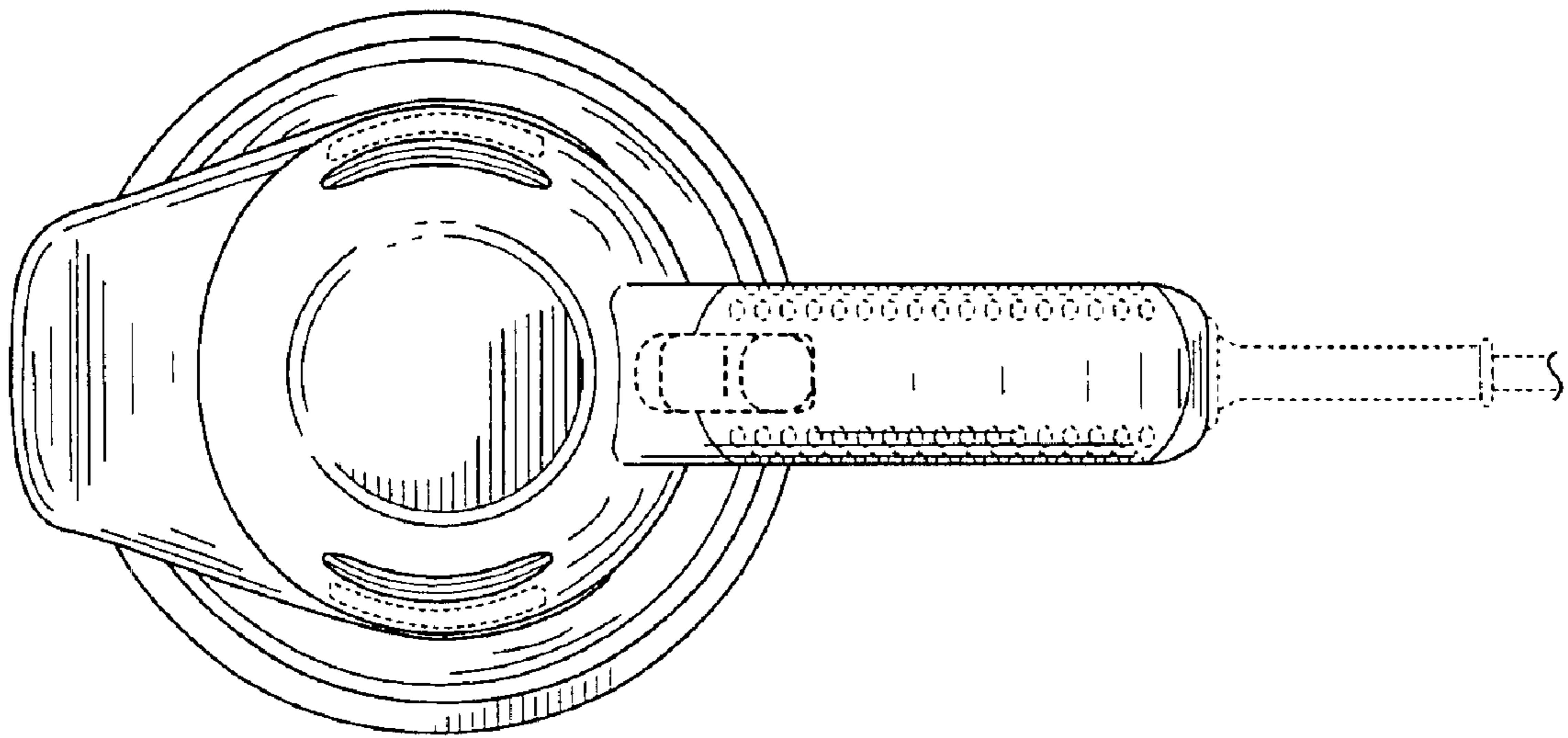


FIG. 5

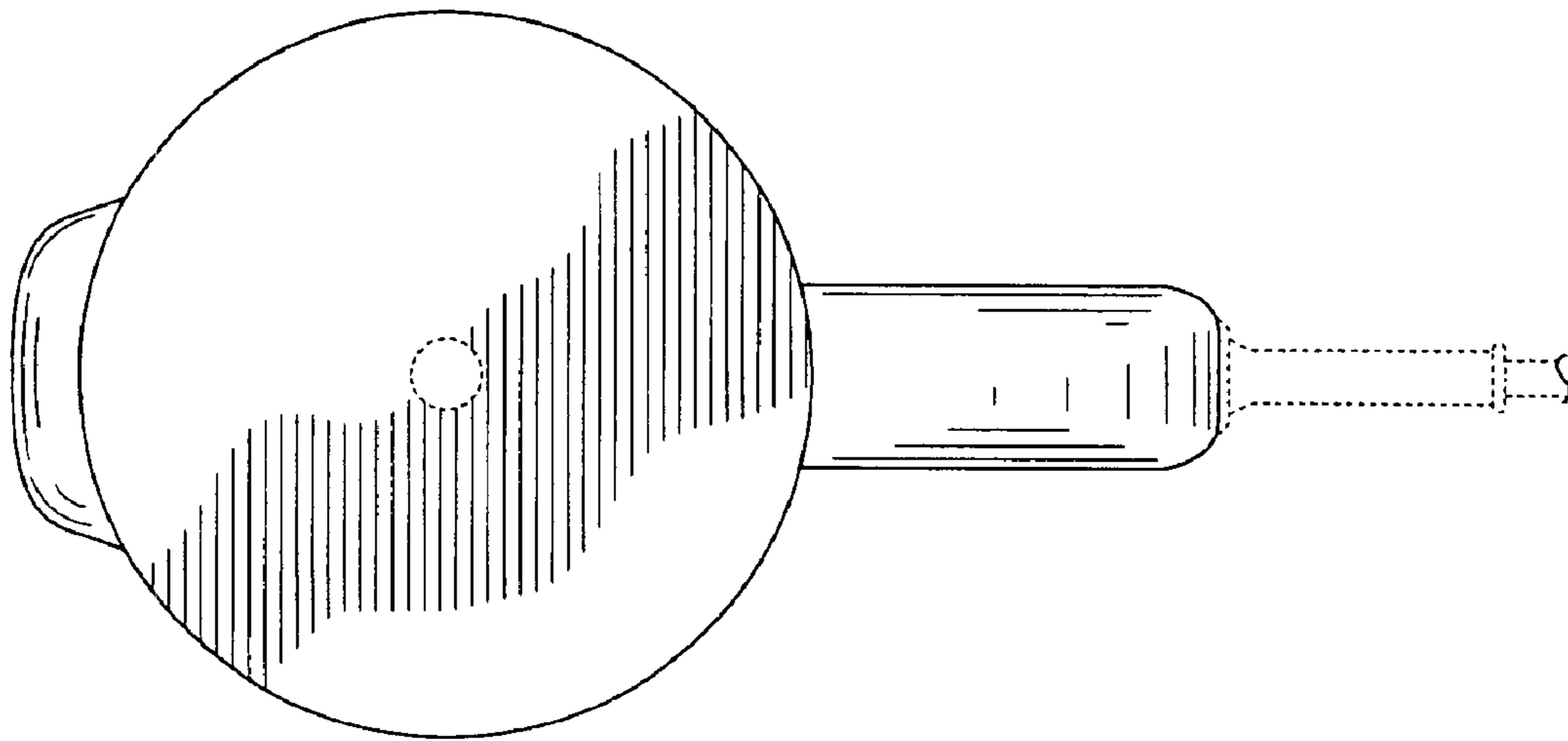


FIG. 6