

US00D520683S

(12) **United States Design Patent**  
**Kling**

(10) **Patent No.:** **US D520,683 S**

(45) **Date of Patent:** **\*\* May 9, 2006**

(54) **ORAL-CARE APPLIANCE (TOOTHPICK)**

D437,663 S \* 2/2001 Lang et al. .... D28/68  
D494,322 S \* 8/2004 Winkler .... D28/65

(75) Inventor: **Björn Kling**, Frankfurt am Main (DE)

\* cited by examiner

(73) Assignee: **Braun GmbH**, Kronberg (DE)

*Primary Examiner*—Lucy Lieberman

(\*\*) Term: **14 Years**

*Assistant Examiner*—Zenia I. Bennett

(74) *Attorney, Agent, or Firm*—Fish & Richardson P.C.

(21) Appl. No.: **29/205,599**

(57) **CLAIM**

(22) Filed: **May 18, 2004**

The ornamental design for an oral-care appliance (toothpick), as shown and described.

(30) **Foreign Application Priority Data**

**DESCRIPTION**

Nov. 18, 2003 (EM) ..... 102827

(51) **LOC (8) Cl.** ..... **28-03**

(52) **U.S. Cl.** ..... **D28/65**

(58) **Field of Classification Search** ..... D28/65–68,  
D28/10, 56, 73, 91; D24/152; D4/100–102;  
433/141, 146–147; 132/322–329

See application file for complete search history.

FIG. 1 is a perspective view of an oral-care appliance (toothpick) showing the new design;

FIG. 2 is a back side view of the oral-care appliance (toothpick) of FIG. 1;

FIG. 3 is a right side view of the oral-care appliance (toothpick) of FIG. 1;

FIG. 4 is a front side view of the oral-care appliance (toothpick) of FIG. 1;

FIG. 5 is a left side view of the oral-care appliance (toothpick) of FIG. 1;

FIG. 6 is a top plan view of the oral-care appliance (toothpick) of FIG. 1; and,

FIG. 7 is a bottom plan view of the oral-care appliance (toothpick) of FIG. 1.

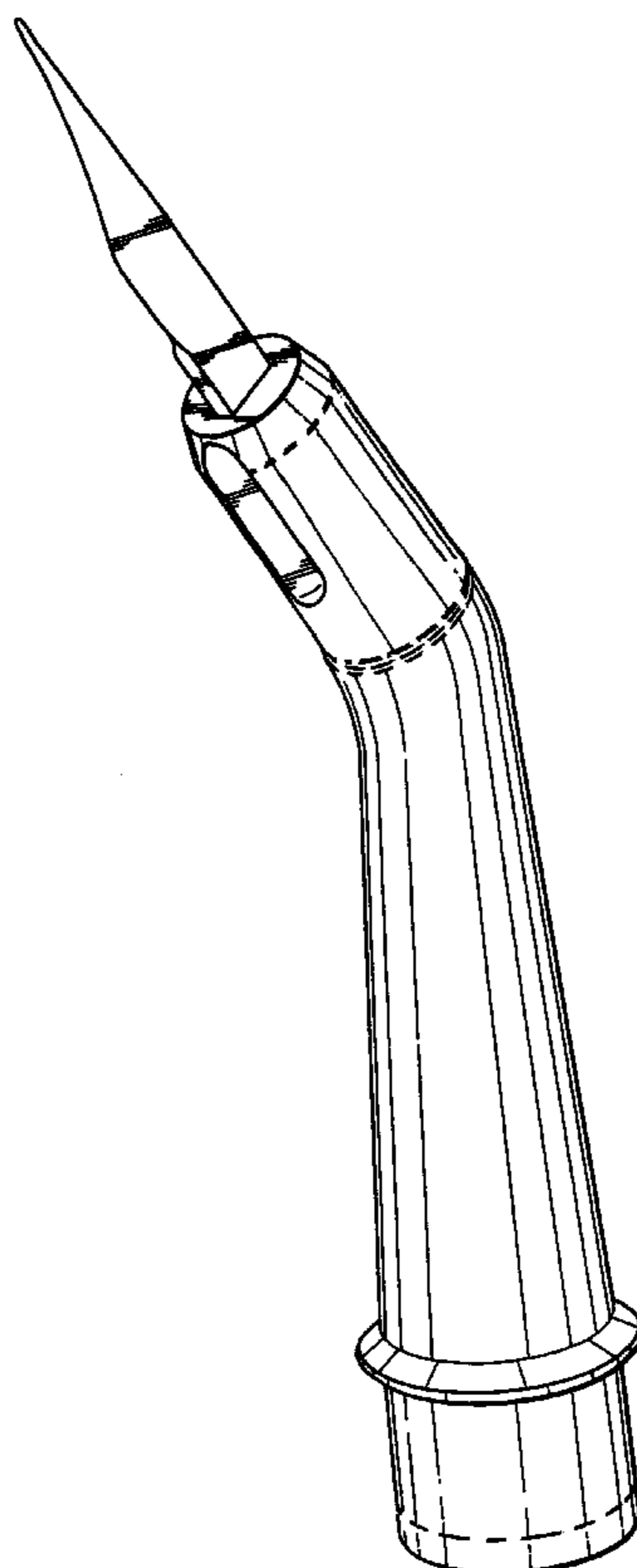
The broken lines in the drawing are for illustrative purposes only and form no part of the claimed design.

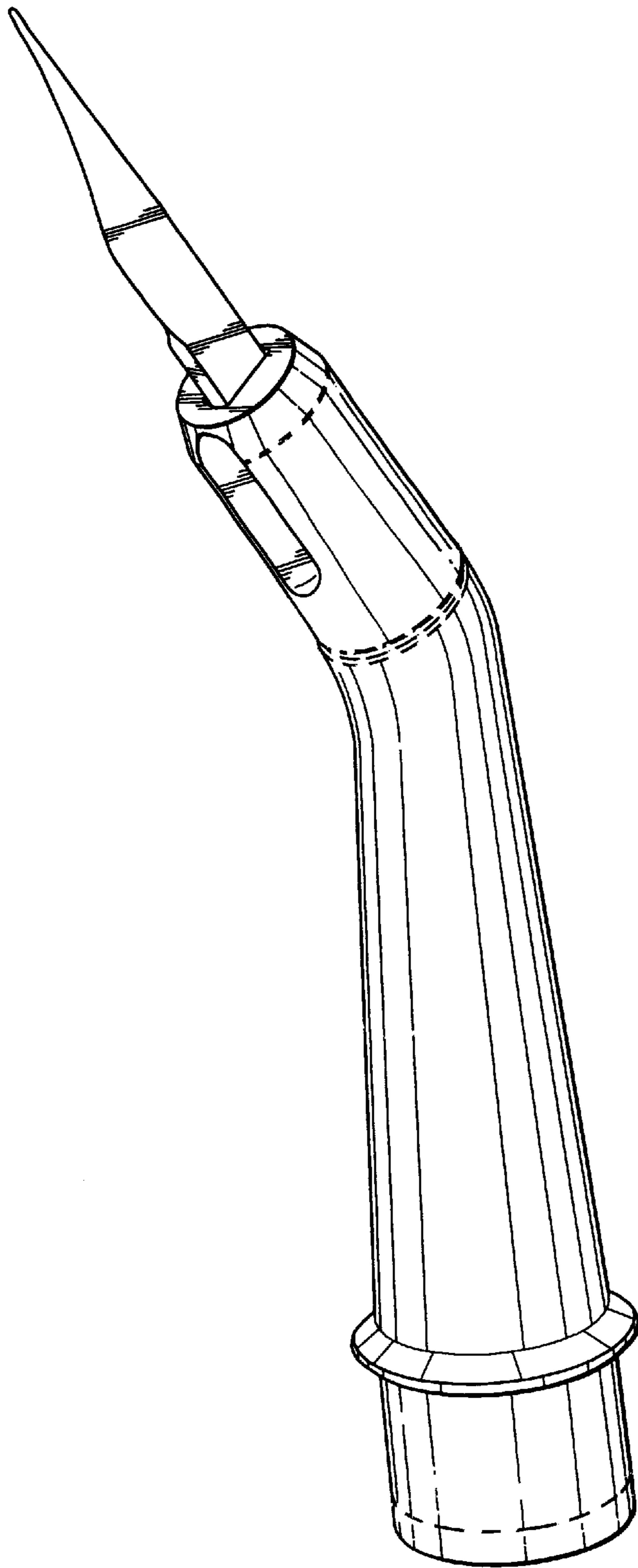
(56) **References Cited**

**U.S. PATENT DOCUMENTS**

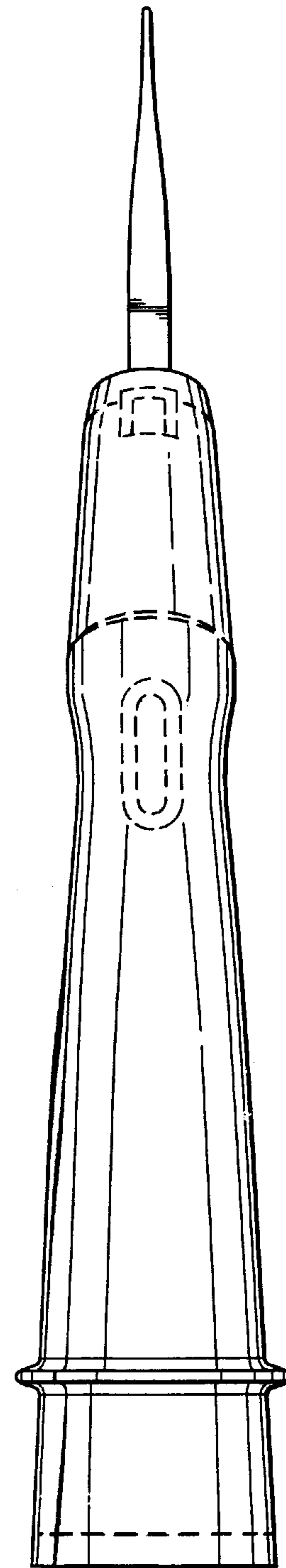
D145,603	S	*	9/1946	Millard	.....	D28/65
3,967,617	A	*	7/1976	Krolik	.....	601/73
D251,513	S	*	4/1979	Kent	.....	D28/68
D374,745	S	*	10/1996	Harris	.....	D28/65
5,709,233	A	*	1/1998	Boland et al.	.....	132/322
5,827,064	A	*	10/1998	Bock	.....	433/216
5,855,216	A	*	1/1999	Robinson	.....	132/322
5,944,033	A	*	8/1999	Robinson	.....	132/322

**1 Claim, 3 Drawing Sheets**

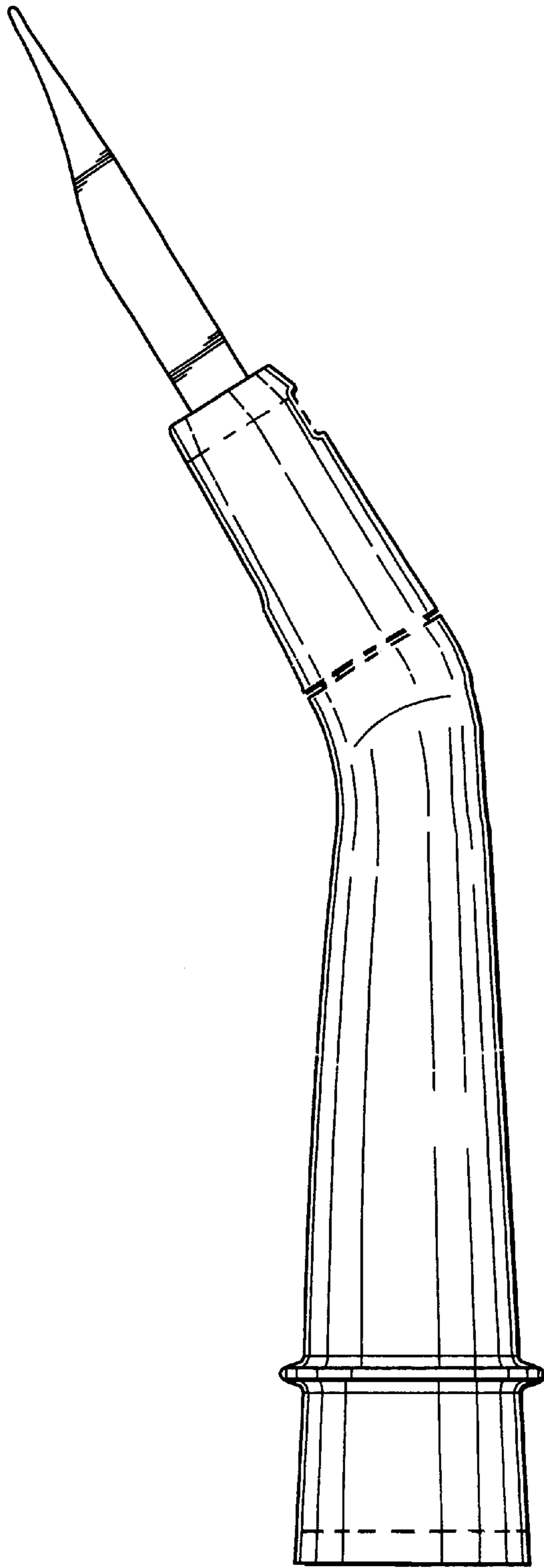




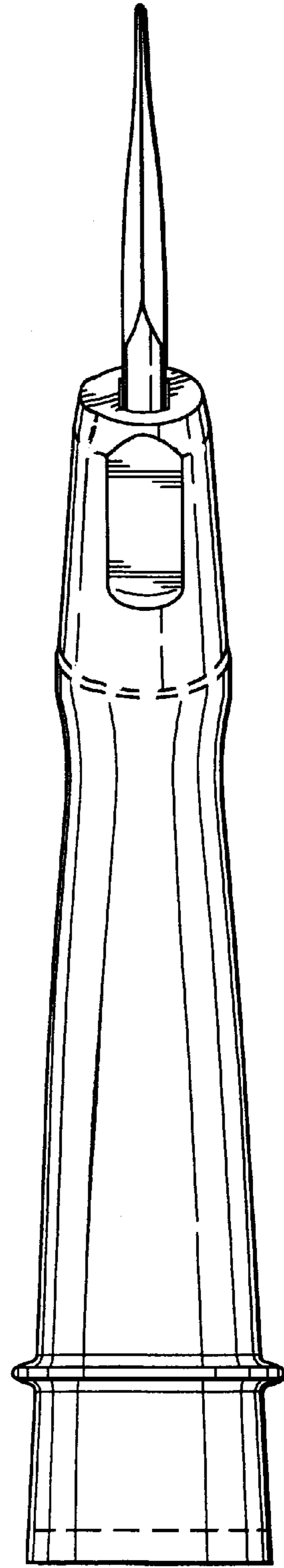
**Fig. 1**



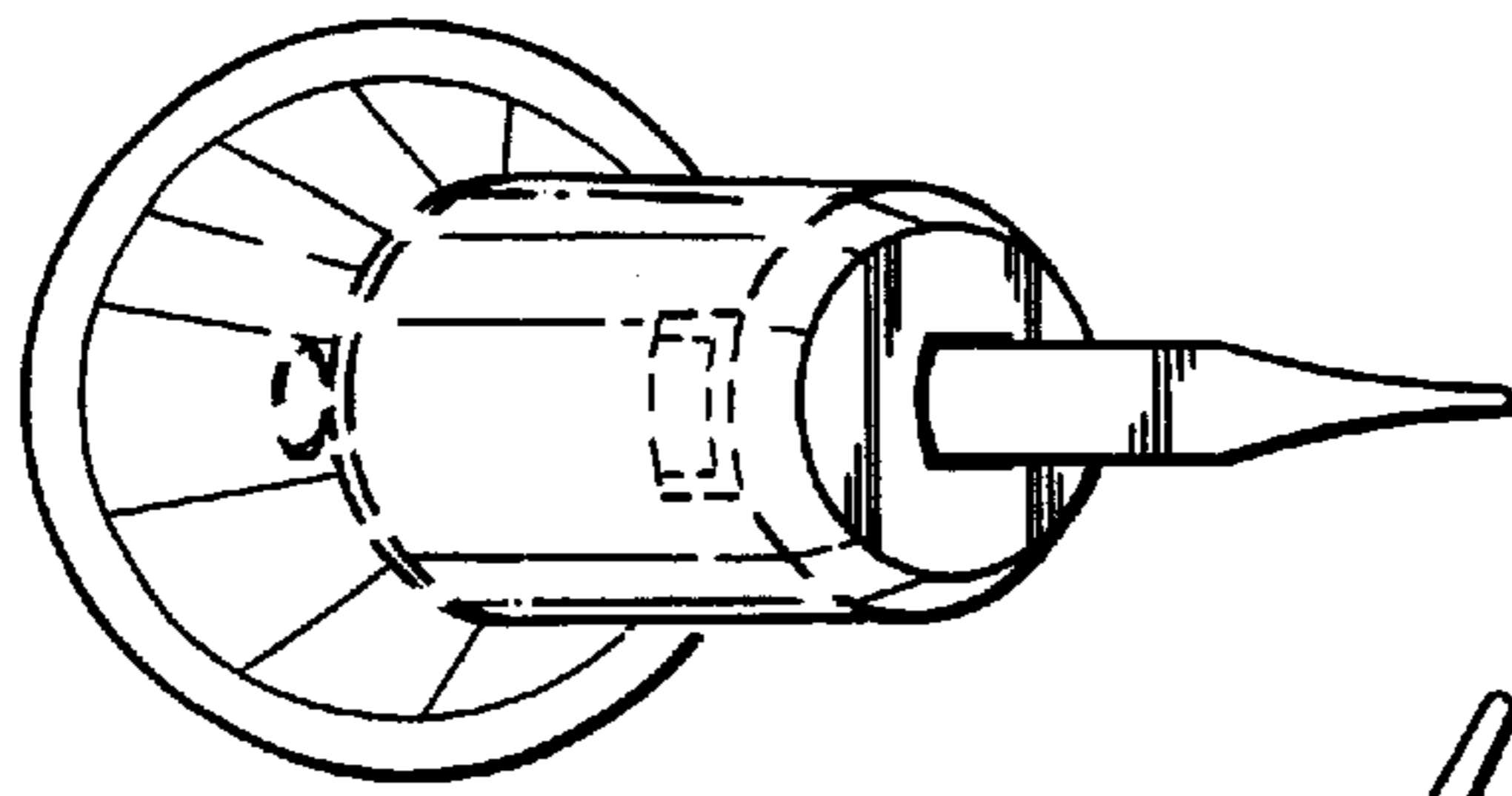
**Fig. 2**



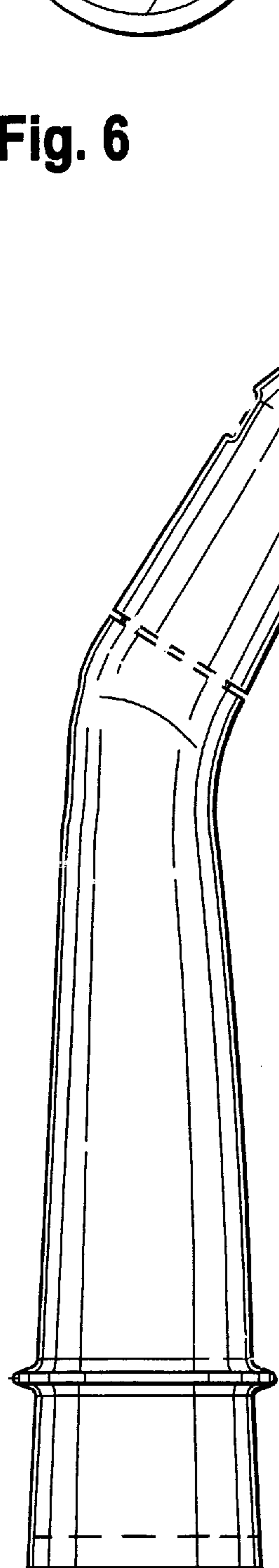
**Fig. 3**



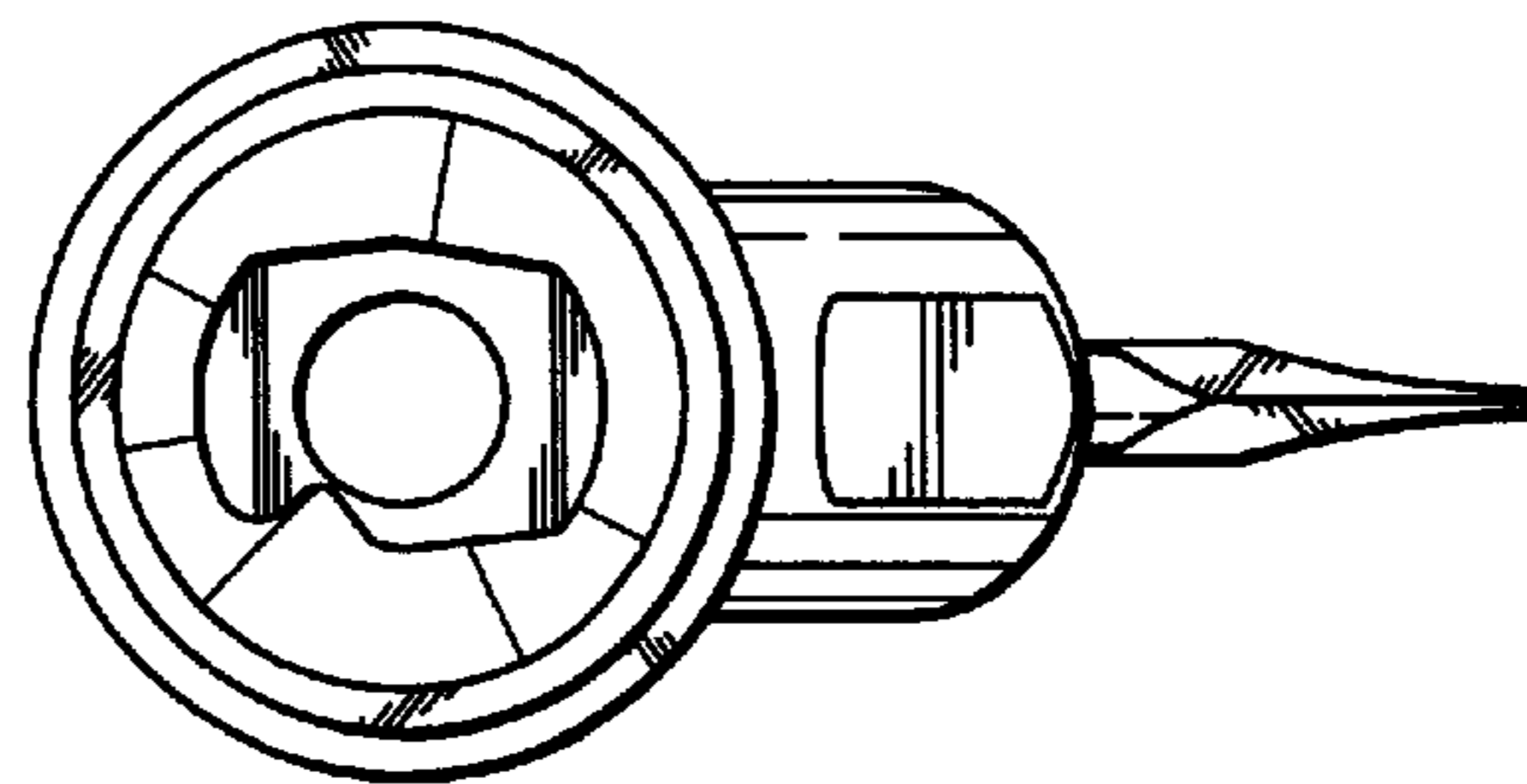
**Fig. 4**



**Fig. 6**



**Fig. 5**



**Fig. 7**