



US00D520680S

(12) **United States Design Patent**
Petrucelli, Sr.

(10) **Patent No.:** **US D520,680 S**

(45) **Date of Patent:** **** May 9, 2006**

(54) **ELECTRIC HAND-HELD HAIR DRYER**

(75) Inventor: **Damiano Petrucelli, Sr.**, Flushing, NY (US)

(73) Assignee: **Turbo Power, Inc.**, Flushing, NY (US)

(**) Term: **14 Years**

(21) Appl. No.: **29/214,534**

(22) Filed: **Oct. 5, 2004**

(51) **LOC (8) Cl.** **28-03**

(52) **U.S. Cl.** **D28/13**

(58) **Field of Classification Search** D28/12-19;
34/96-101, 201; 392/380, 383, 384, 385,
392/381, 382; 219/222

See application file for complete search history.

(56) **References Cited**

U.S. PATENT DOCUMENTS

D254,833 S	*	4/1980	Cooper	D32/18
6,285,828 B1	*	9/2001	Cafaro	392/385
D456,562 S	*	4/2002	Micinilio et al.	D28/13
D457,266 S	*	5/2002	Yeung	D28/13
D472,672 S	*	4/2003	Altamore et al.	D28/13
D479,358 S	*	9/2003	Yeung	D28/13
D496,754 S	*	9/2004	Parodi	D28/13
D499,209 S	*	11/2004	Ikesaki	D28/13

OTHER PUBLICATIONS

Modern Salon, May 1987—p. 151, Solis of Switzerland, Hair Dryer Model # Mod. 340.*

* cited by examiner

Primary Examiner—Lucy Lieberman

Assistant Examiner—Zenita I Bennett

(74) *Attorney, Agent, or Firm*—Anthony J. Casella; Gerald E. Hespos

(57) **CLAIM**

The ornamental design for an electric hand-held hair dryer, as shown and described.

DESCRIPTION

FIG. 1 is a perspective view of the electric hand-held hair dryer of my new design;

FIG. 2 is a top plan view of the electric hand-held dryer of FIG. 1;

FIG. 3 is a front elevational view of the electric hand-held hair dryer of FIG. 1;

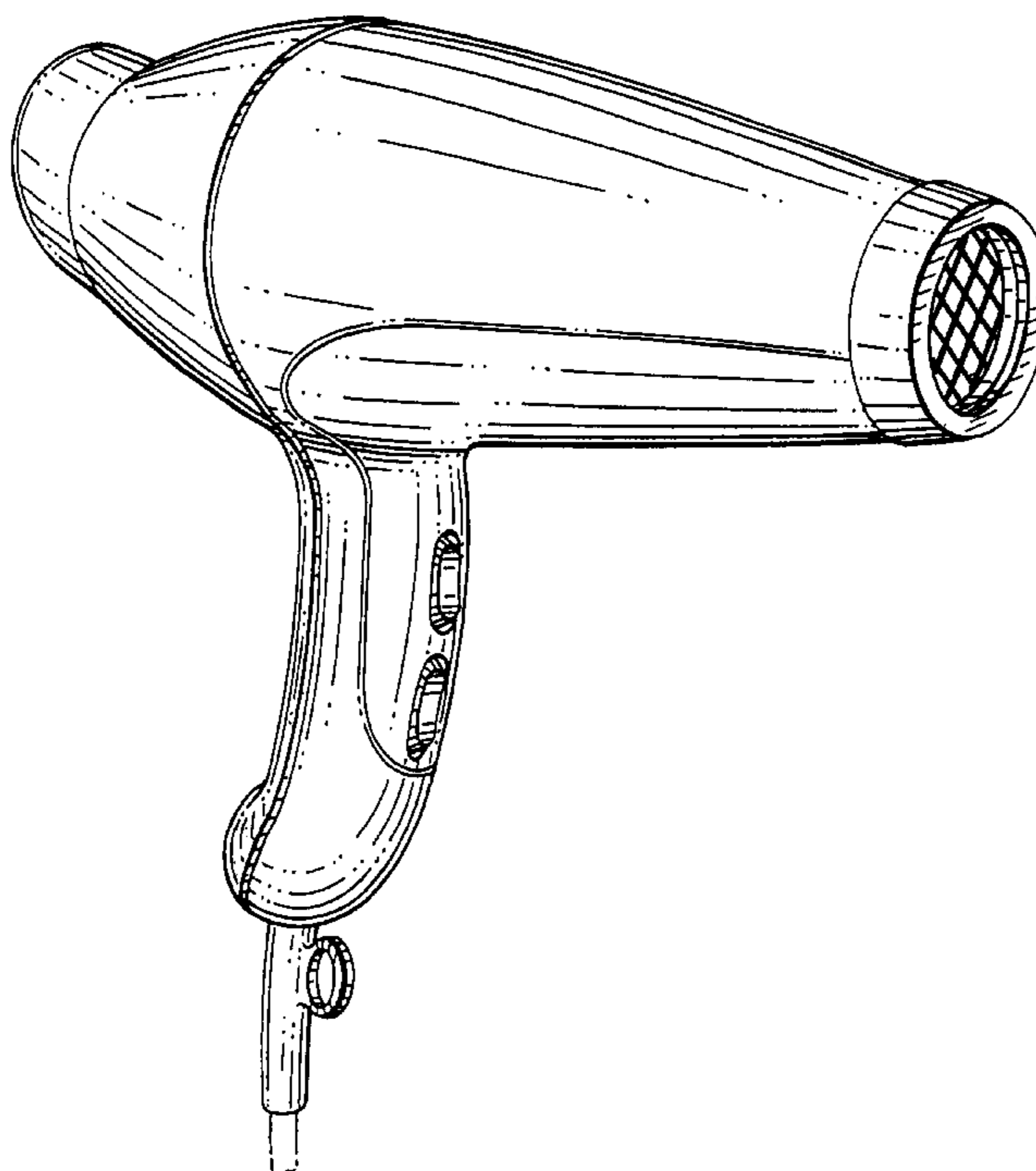
FIG. 4 is a side elevational view the electric hand-held dryer of FIG. 1, the opposite side being a mirror image of the side shown;

FIG. 5 is a rear elevational view of the electric hand-held hair dryer of FIG. 1; and,

FIG. 6 is a bottom plan view thereof.

The broken lines showing the electric chord in FIGS. 1, 3, 4, 5 and 6 is for illustrative purposes only and forms no part of the claimed design.

1 Claim, 5 Drawing Sheets



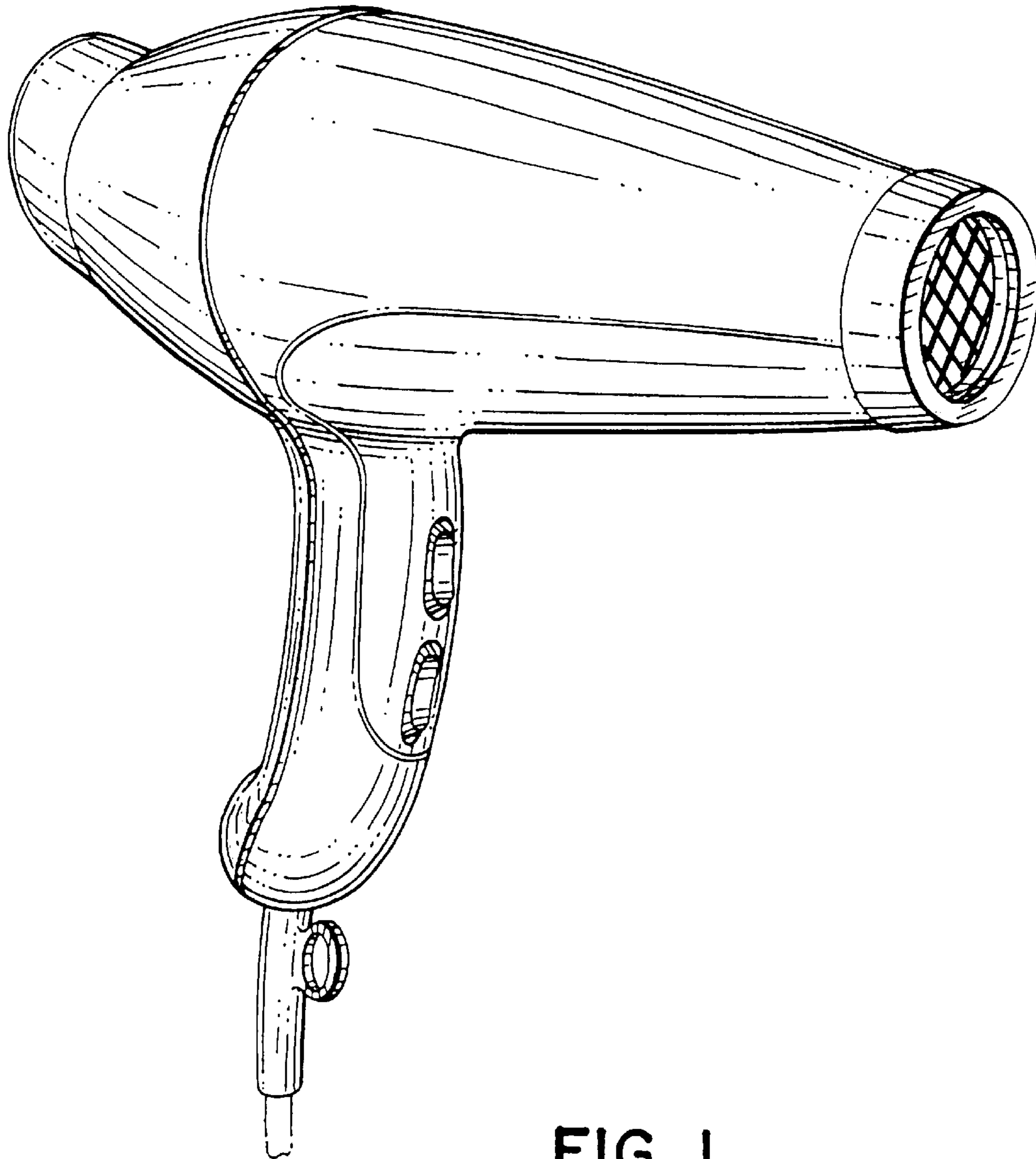


FIG. 1

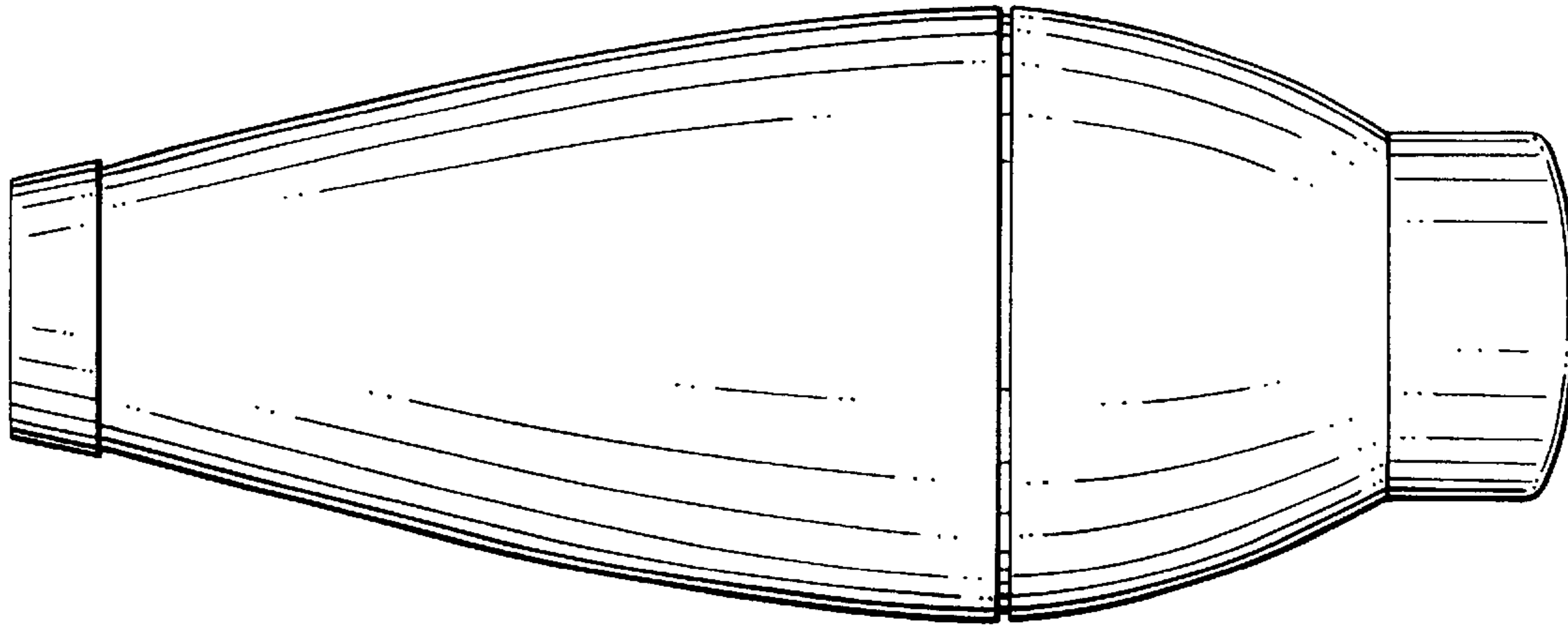


FIG. 2

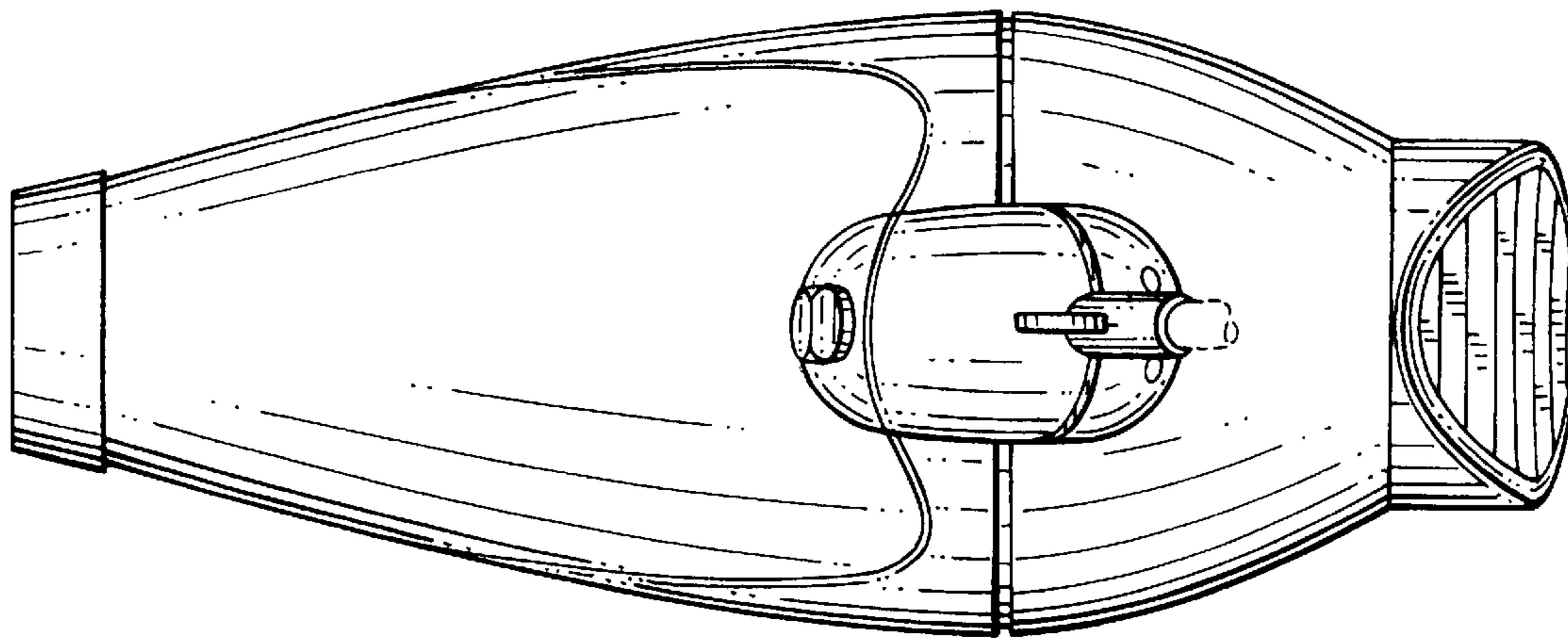


FIG. 6

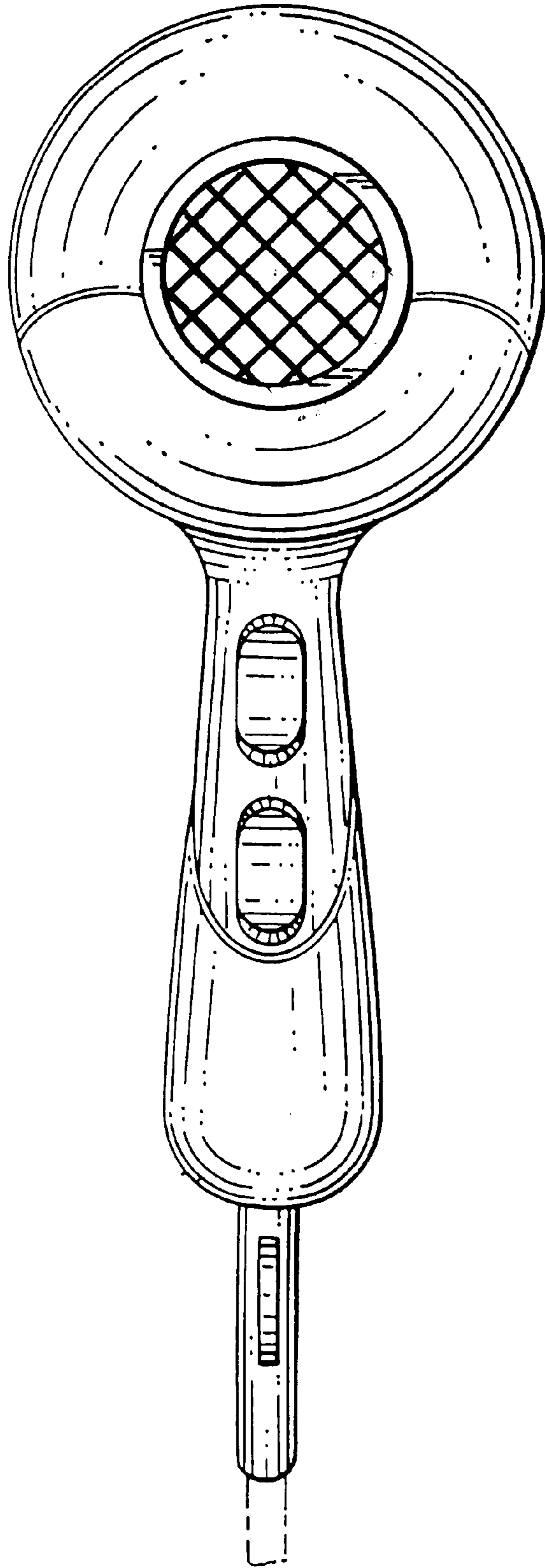


FIG. 3

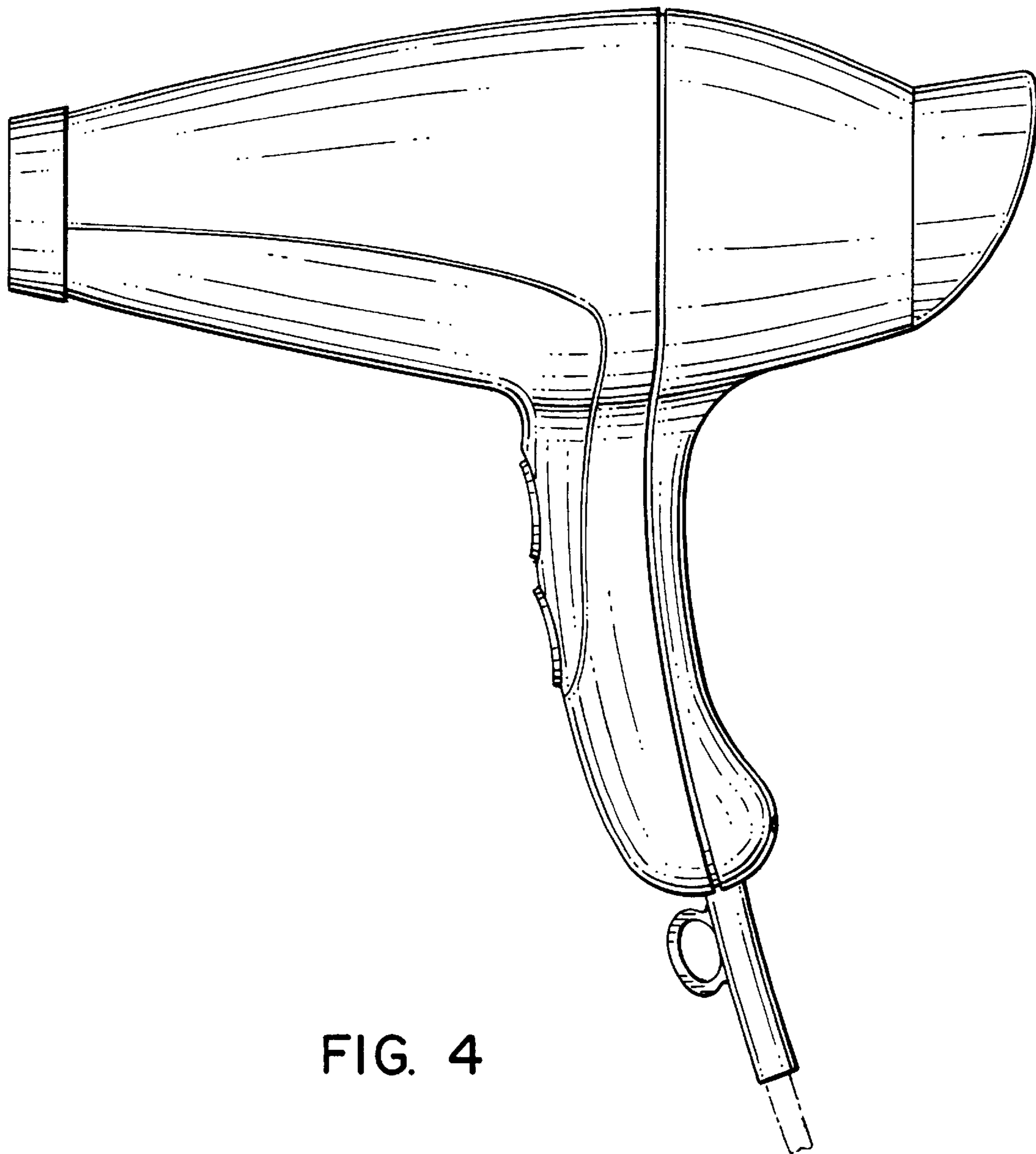


FIG. 4

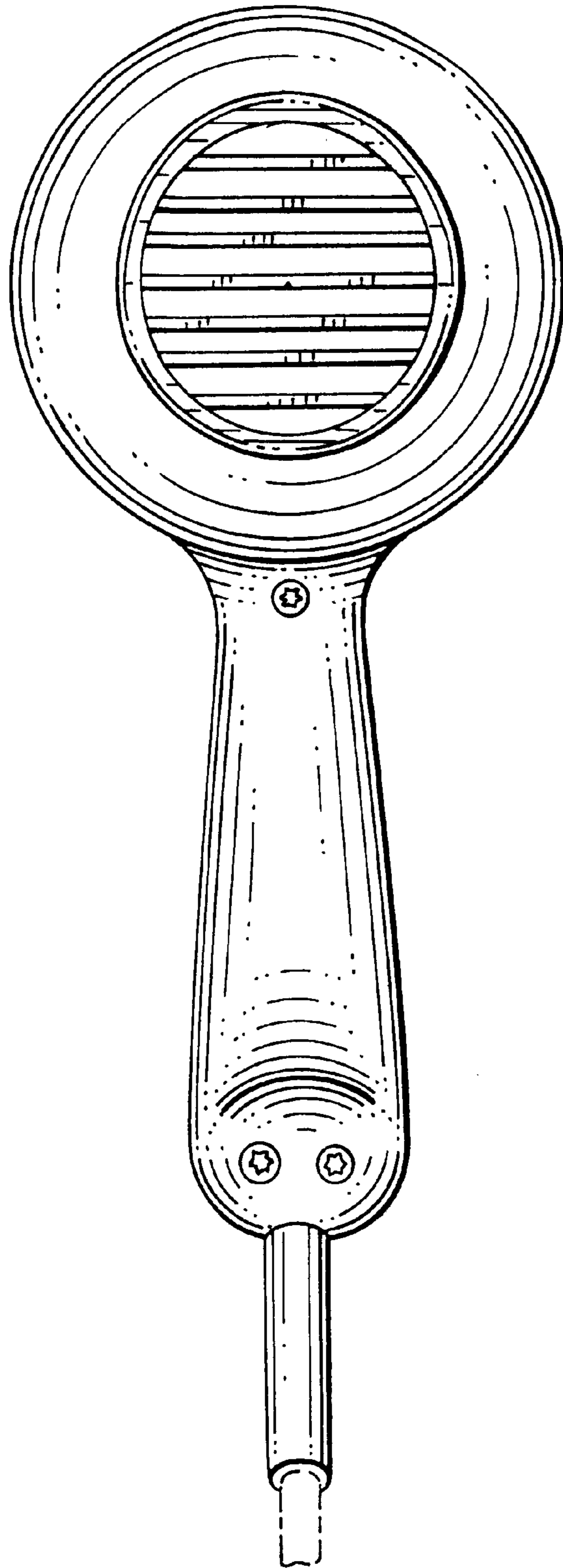


FIG. 5