



US00D520673S

(12) **United States Design Patent**
Wu

(10) **Patent No.:** **US D520,673 S**

(45) **Date of Patent:** **** May 9, 2006**

(54) **FOOTBALL HELMET LIGHTER**

(75) Inventor: **John Wu**, El Monte, CA (US)

(73) Assignee: **Zreative Product Inc.**, El Monte, CA (US)

(**) Term: **14 Years**

(21) Appl. No.: **29/210,802**

(22) Filed: **Aug. 6, 2004**

(51) **LOC (8) Cl.** **27-05**

(52) **U.S. Cl.** **D27/148**

(58) **Field of Classification Search** D27/141-143,
D27/148, 149; D29/106; D21/643; D11/81;
431/125, 126, 151, 153, 253-255, 273-277
See application file for complete search history.

(56) **References Cited**

U.S. PATENT DOCUMENTS

D420,670 S	*	2/2000	Hernandez et al.	D29/106
D460,441 S	*	7/2002	Neil	D29/106
D487,409 S	*	3/2004	Philipson	D11/81
D499,206 S	*	11/2004	Chen	D27/161

OTHER PUBLICATIONS

Football Helmet lighter, The legend of the lighter, Dec. 1995.*

* cited by examiner

Primary Examiner—Jennifer Rivard

(74) *Attorney, Agent, or Firm*—Raymond Y. Chan; David & Raymond

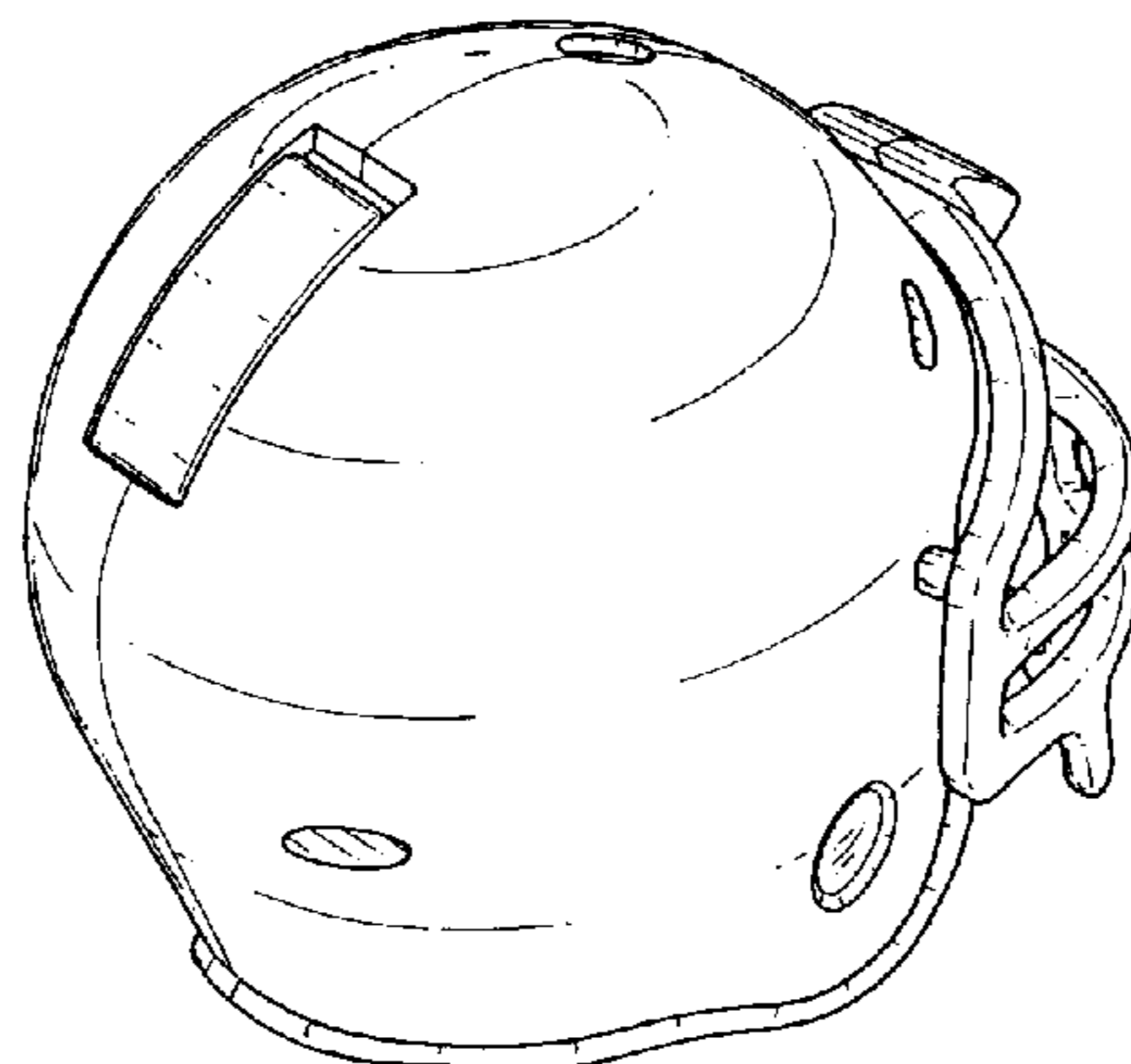
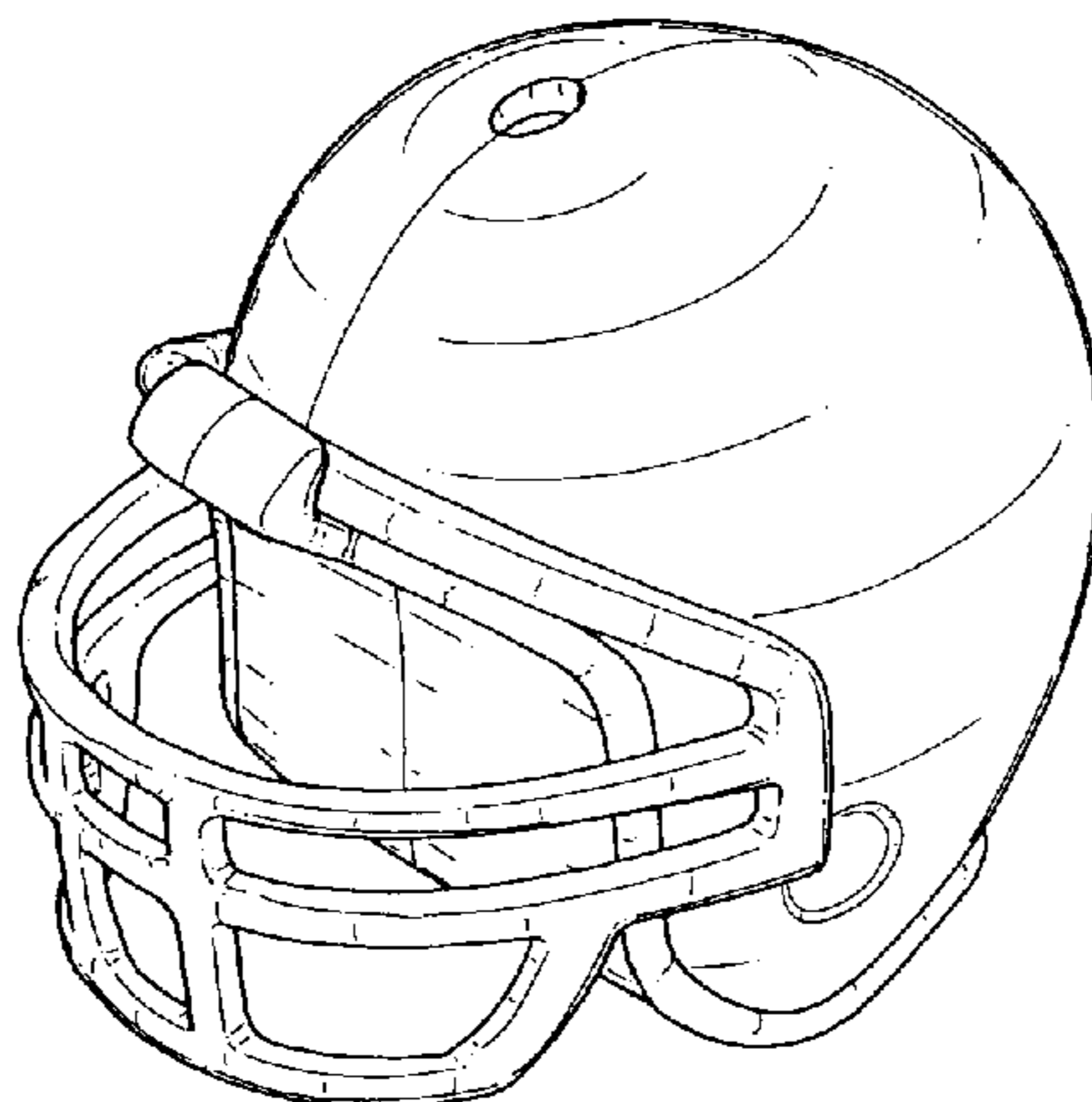
(57) **CLAIM**

The ornamental design for a football helmet lighter, as shown.

DESCRIPTION

FIG. 1 is a front perspective view showing my new design. FIG. 2 is a rear perspective view thereof. FIG. 3 is a front view thereof. FIG. 4 is a rear view thereof. FIG. 5 is a right view thereof. FIG. 6 is a left view thereof. FIG. 7 is a top view thereof. FIG. 8 is a bottom view thereof; and, FIG. 9 is a rear perspective view showing an opening position thereof.

1 Claim, 9 Drawing Sheets



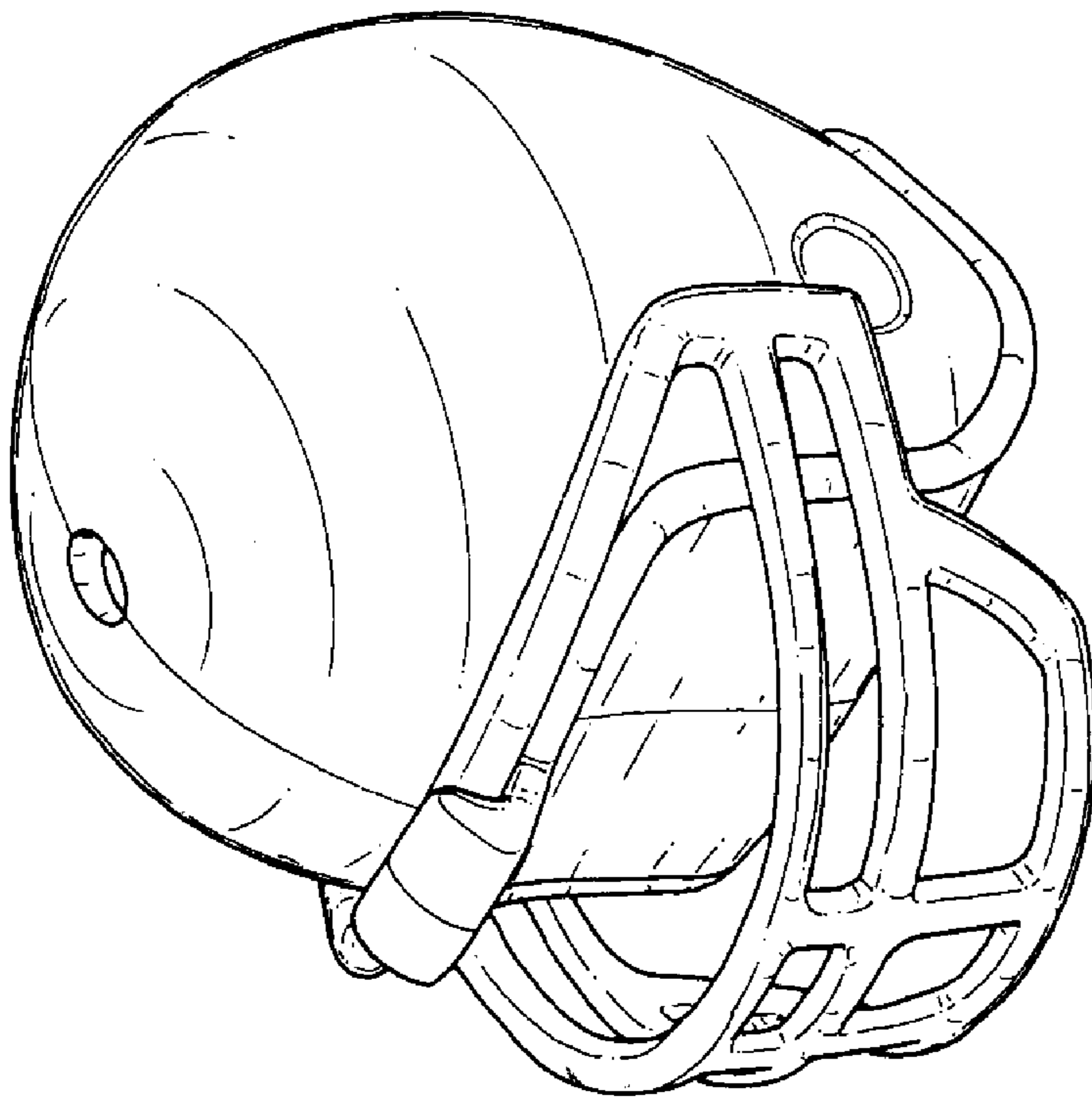


FIG. 1

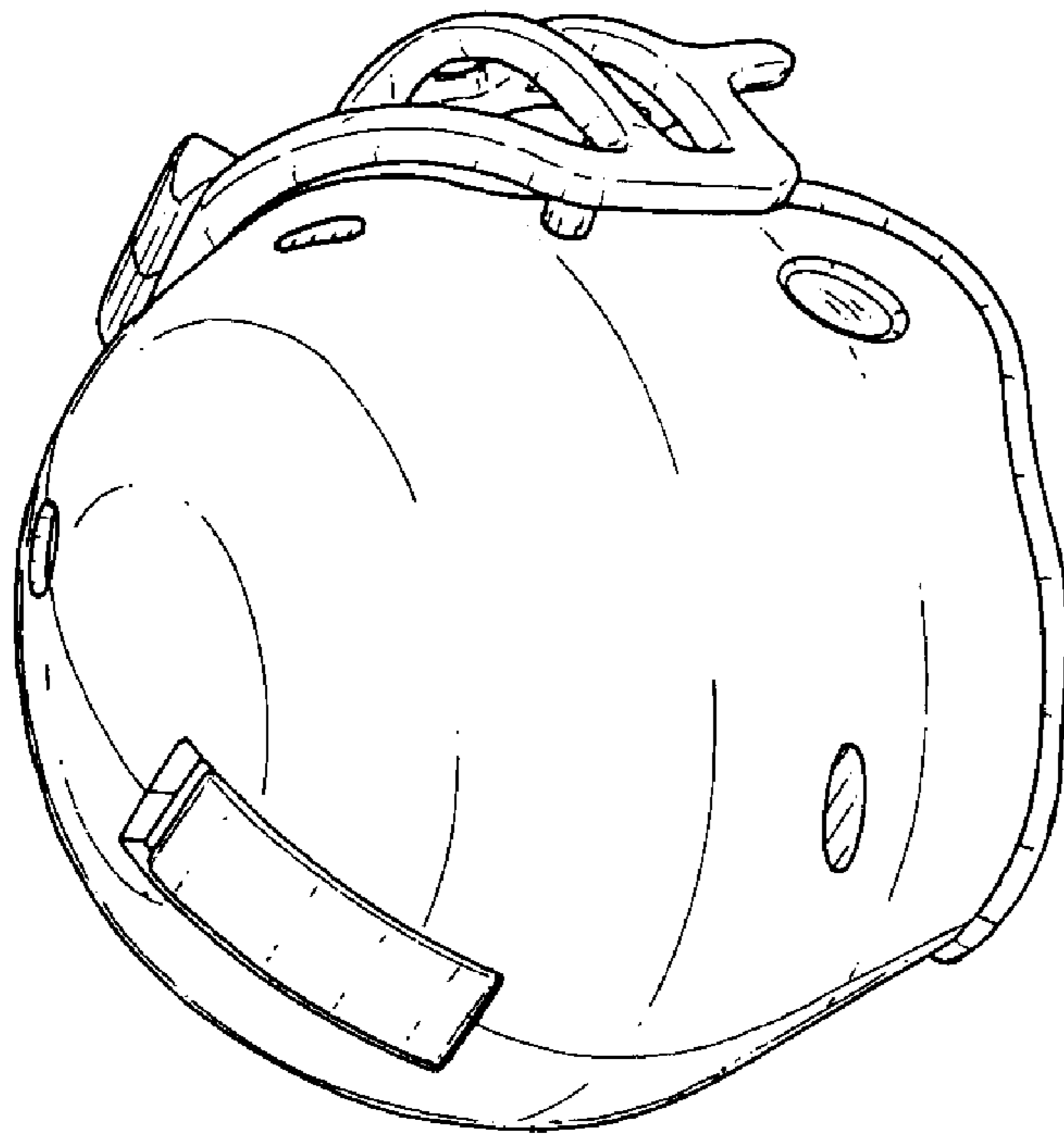


FIG. 2

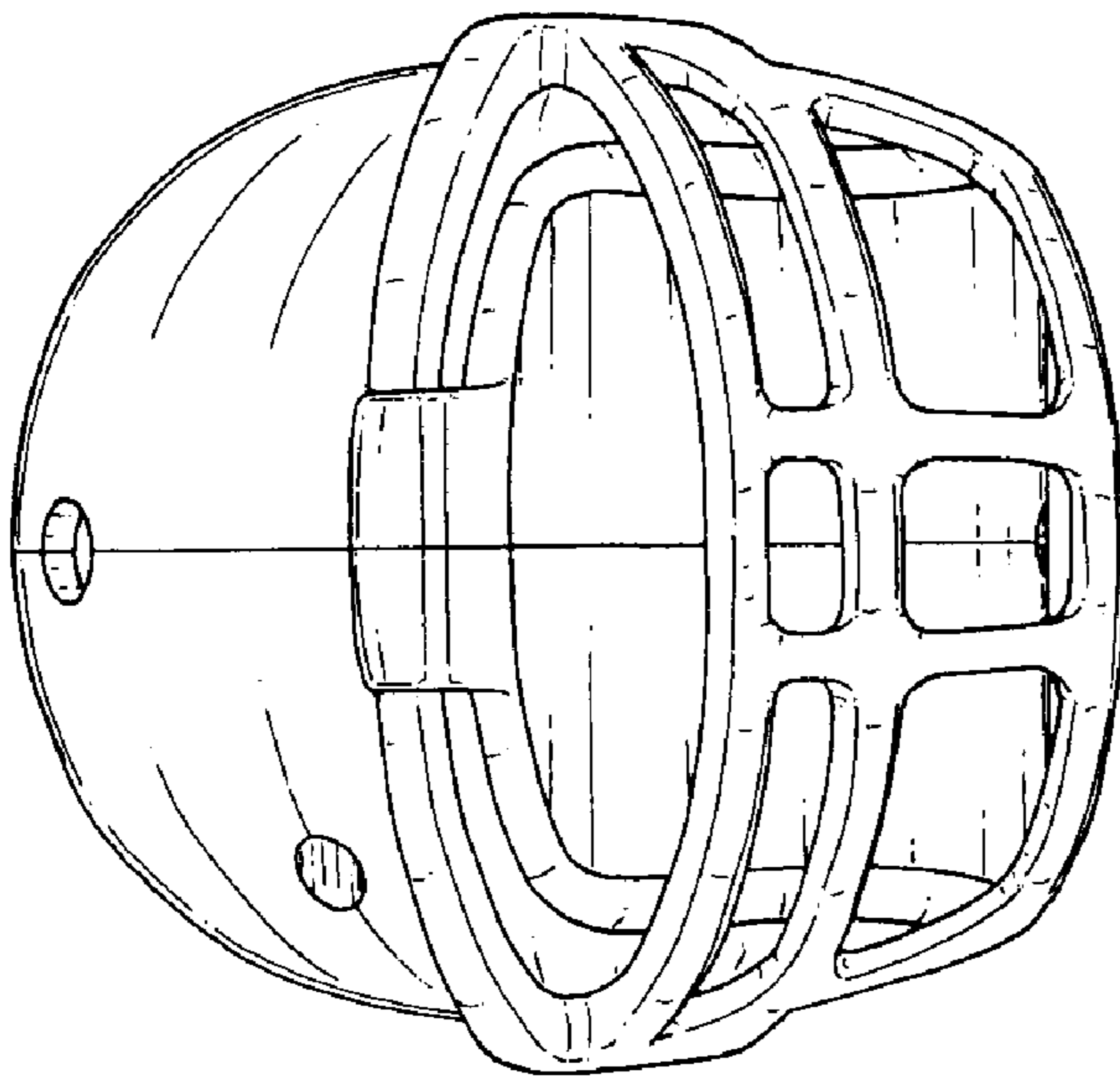


FIG. 3

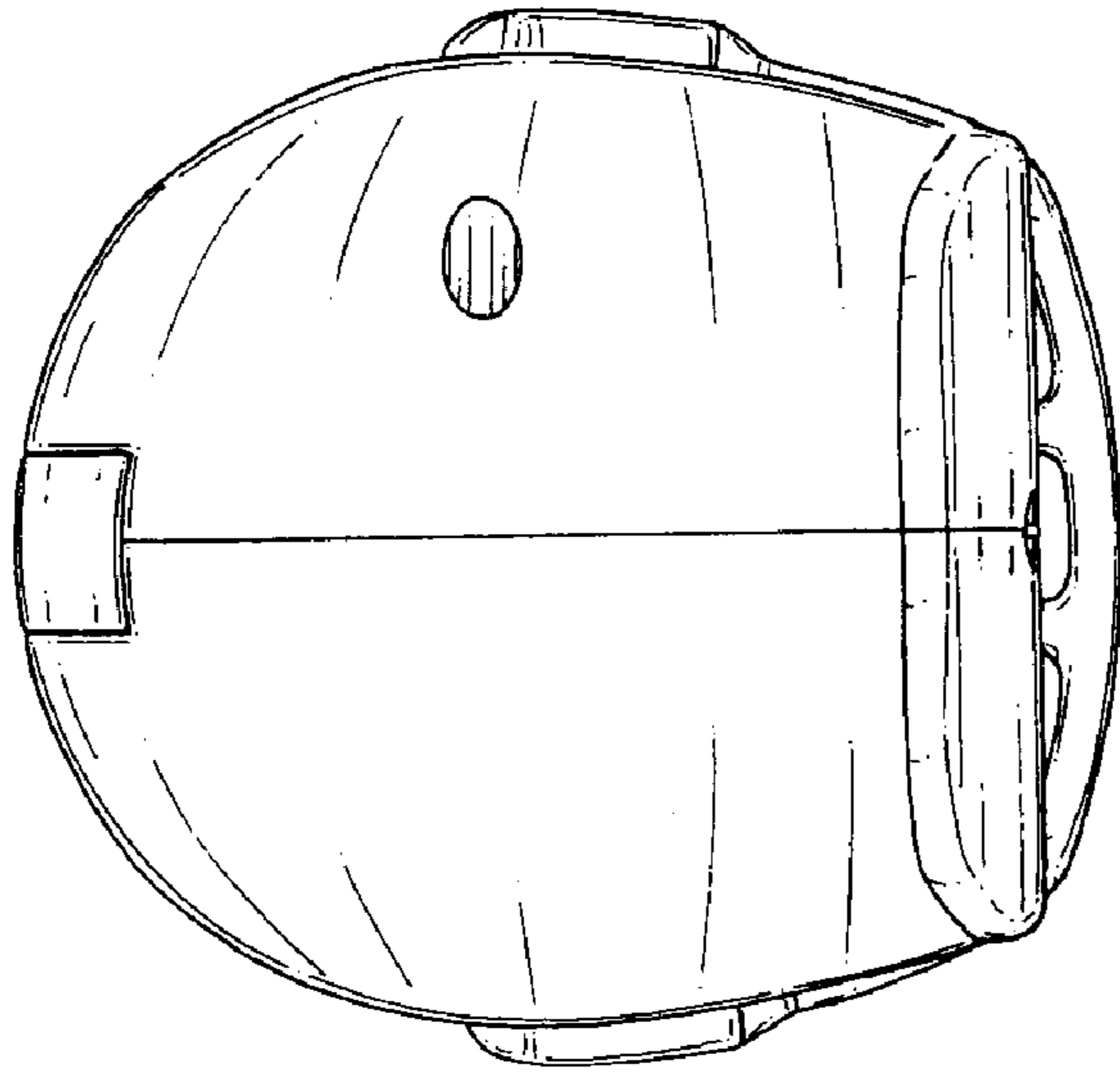


FIG. 4

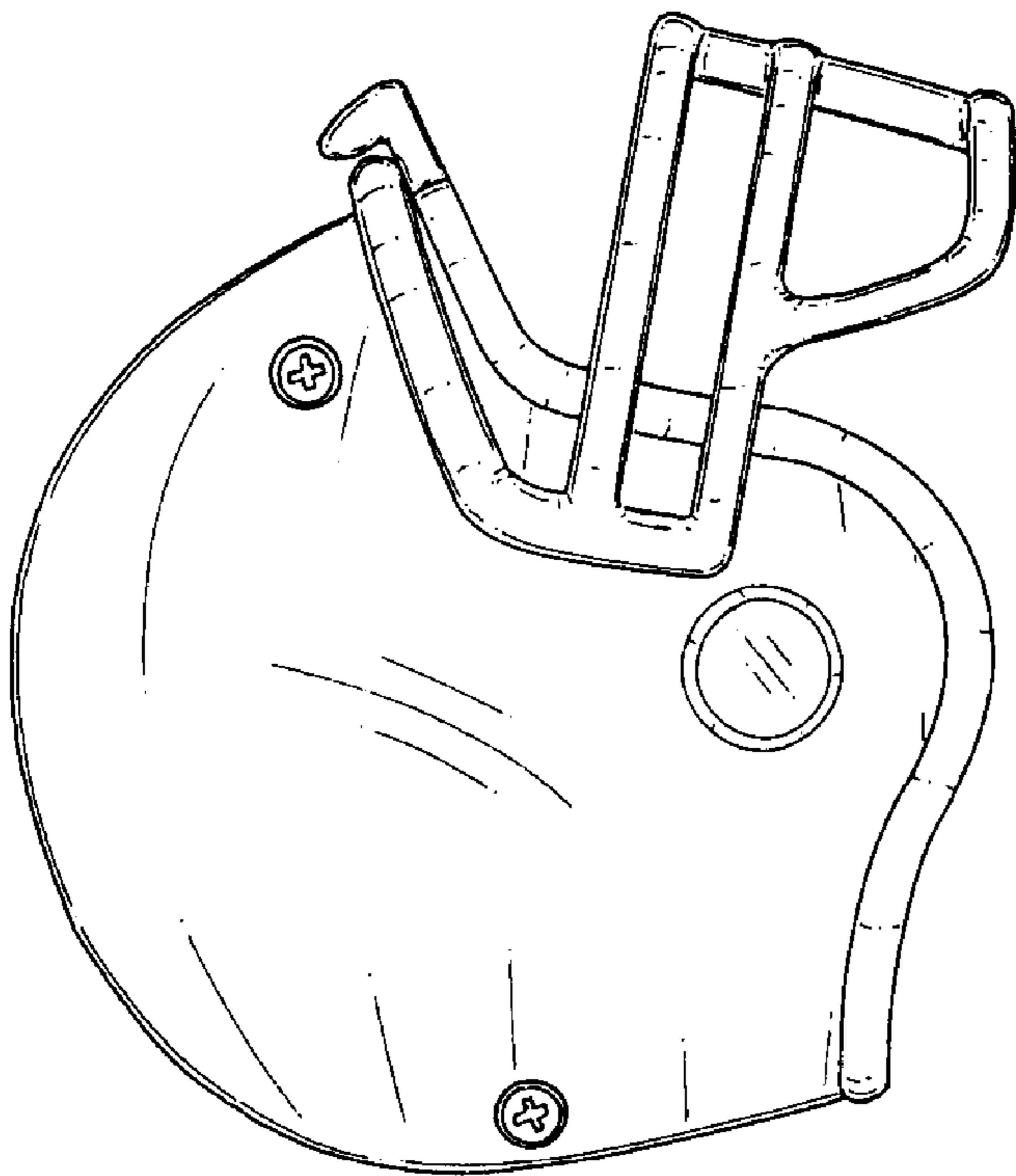


FIG. 5

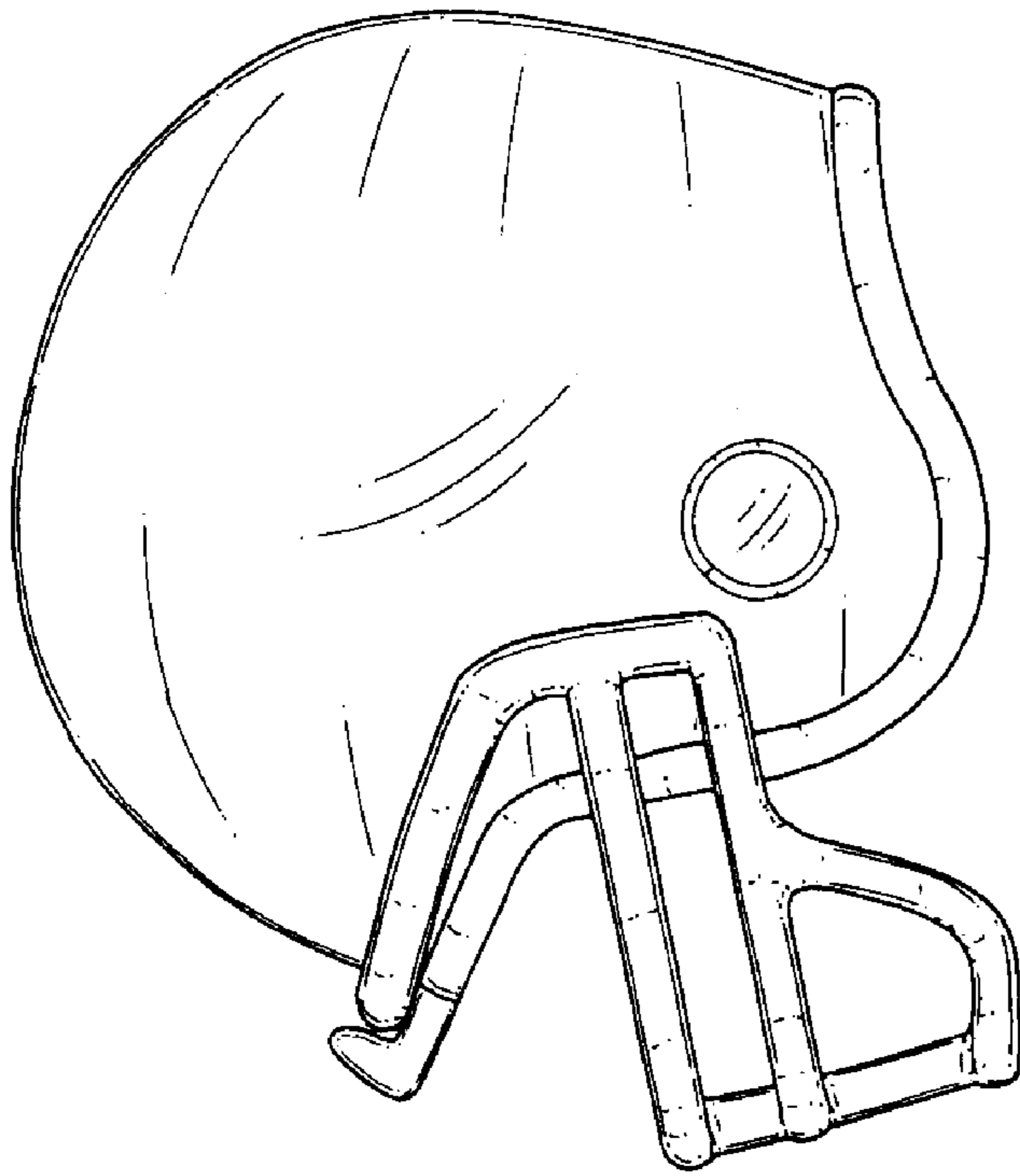


FIG. 6

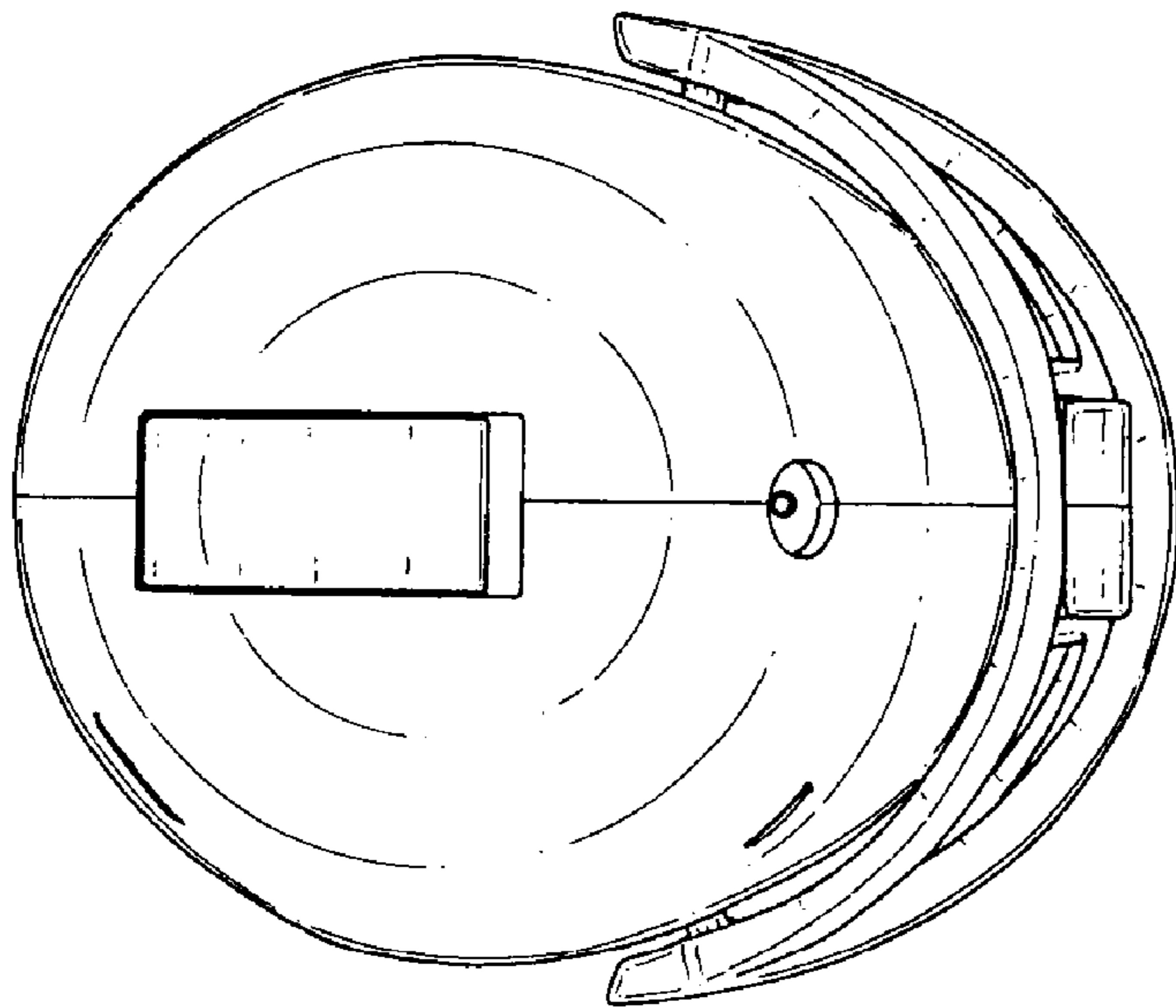


FIG. 7

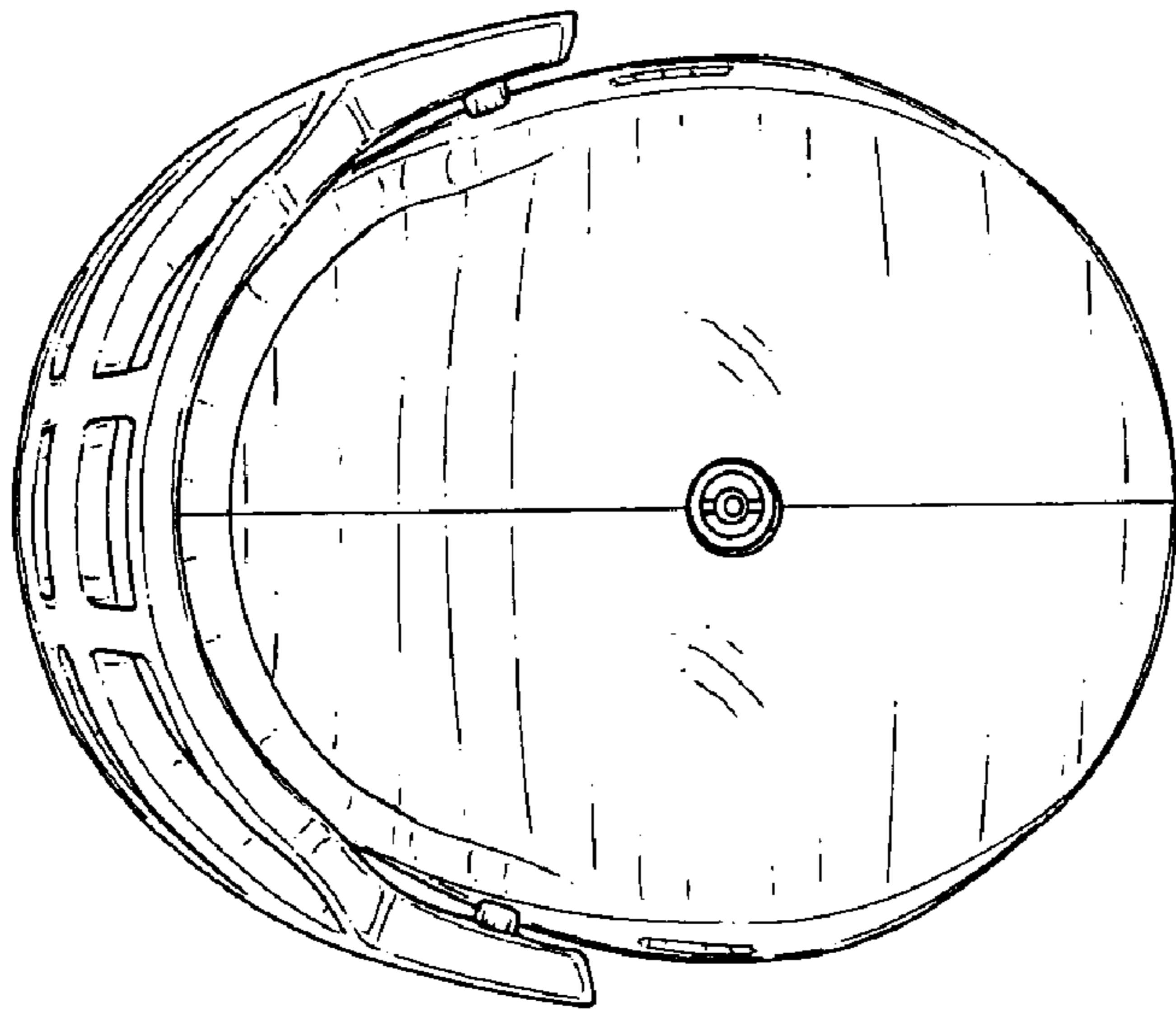


FIG. 8

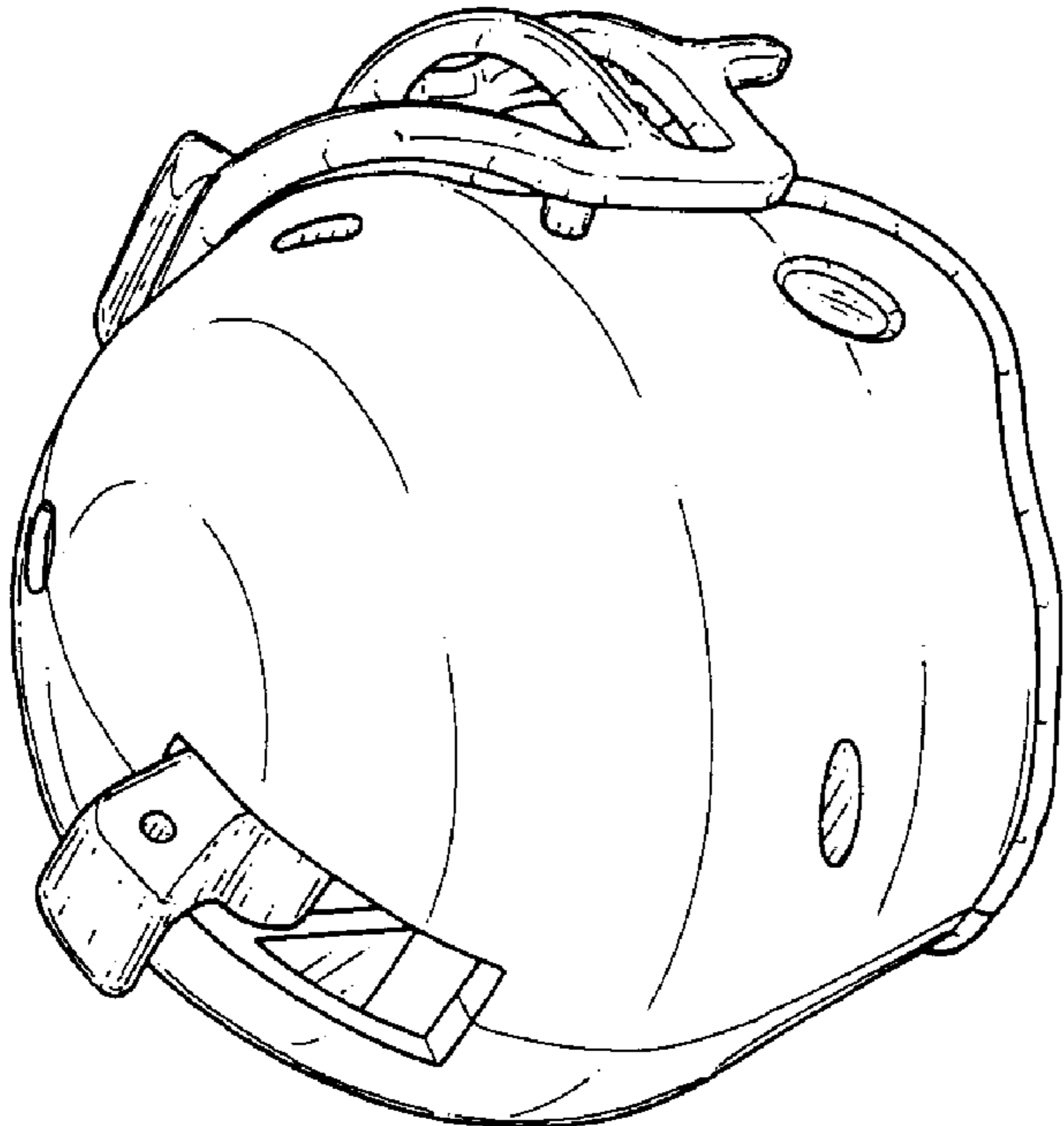


FIG. 9