

US00D520669S

(12) **United States Design Patent**
Brunner

(10) **Patent No.:** **US D520,669 S**

(45) **Date of Patent:** **** May 9, 2006**

(54) **LIGHT**

(75) Inventor: **Richard Brunner**, Louisville, KY (US)

(73) Assignee: **Volume International, Inc.**, Houston, TX (US)

(**) Term: **14 Years**

(21) Appl. No.: **29/232,904**

(22) Filed: **Jun. 24, 2005**

(51) **LOC (8) Cl.** **26-03**

(52) **U.S. Cl.** **D26/81; D26/90**

(58) **Field of Classification Search** D26/72,
D26/80-92, 138, 155, 142-145; 362/147,
362/404-408

See application file for complete search history.

(56) **References Cited**

U.S. PATENT DOCUMENTS

D67,662 S	*	6/1925	Klein	D26/81
D73,057 S	*	7/1927	Seidell	D26/144
D73,194 S	*	8/1927	Petersen	D26/144
D73,632 S	*	10/1927	Wolter	D26/144
D85,444 S	*	10/1931	Primakow	D26/84
D353,016 S	*	11/1994	Mason	D26/138
D400,288 S	*	10/1998	Hsu	D26/90
D418,245 S	*	12/1999	Von Kluck	D26/144
D421,662 S	*	3/2000	Littman et al.	D26/90

OTHER PUBLICATIONS

World Imports Catalog 26 ©2004. Item # 02509-89 on p. 108.*

KALCO Catalog ©2000. Item # 3764-PE on p. 85.*

KALCO Catalog ©2000. Item # 3378-PE on p. 84.*

* cited by examiner

Primary Examiner—Clare E Heflin

(74) *Attorney, Agent, or Firm*—Gordon G. Waggett, P.C.

(57) **CLAIM**

The ornamental design for an light, as shown and described.

DESCRIPTION

FIG. 1 is a perspective view of the light of the present invention.

FIG. 2 is a side elevation view of the light of the present invention.

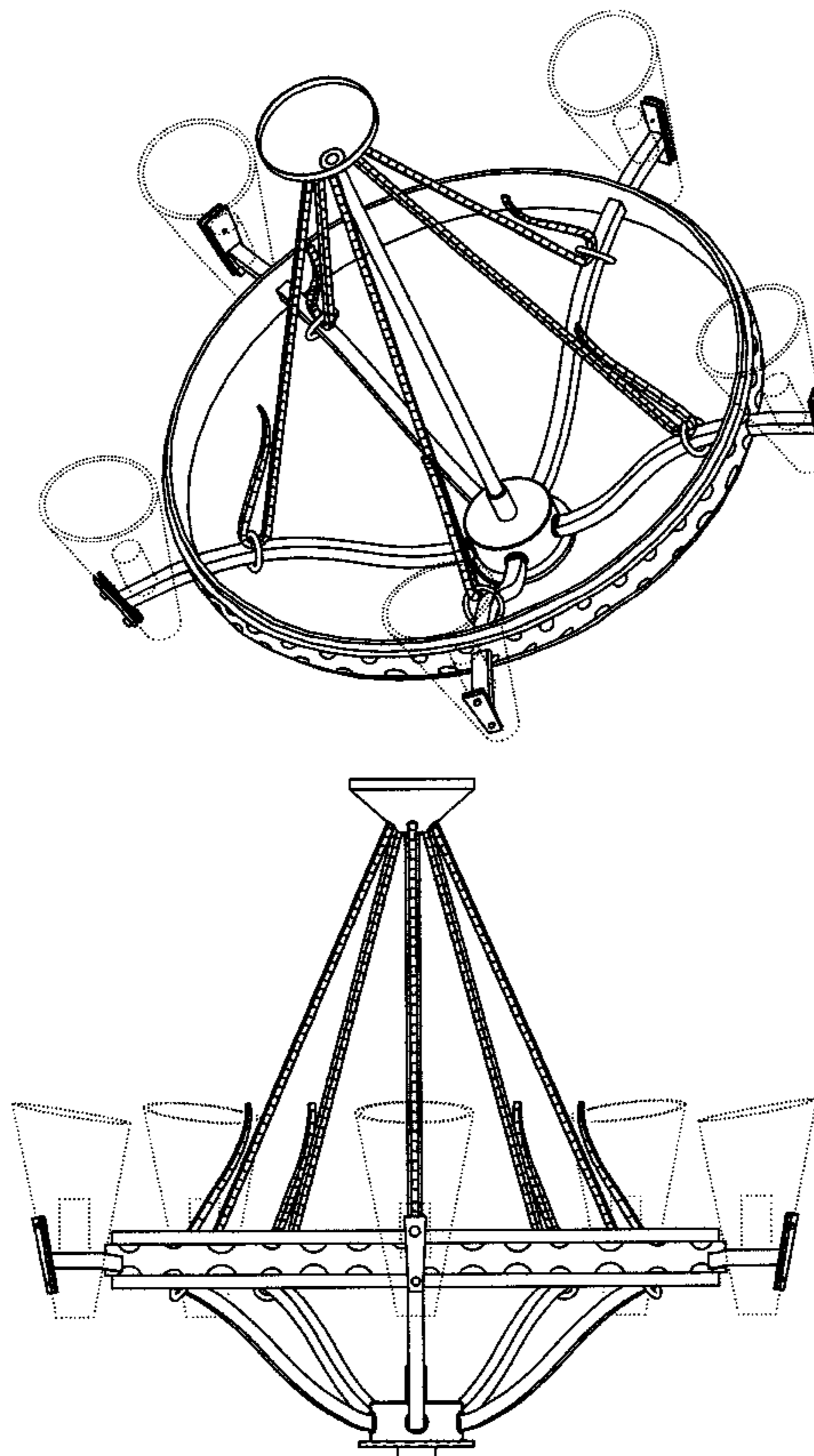
FIG. 3 is a side elevation view of the light of the present invention, rotated ninety degrees relative to FIG. 2.

FIG. 4 is a top plan view of the light of the present invention; and,

FIG. 5 is a bottom plan view of the light of the present invention.

The broken lines shown on the drawings are for illustrative purposes only and form no part of the claimed design.

1 Claim, 5 Drawing Sheets



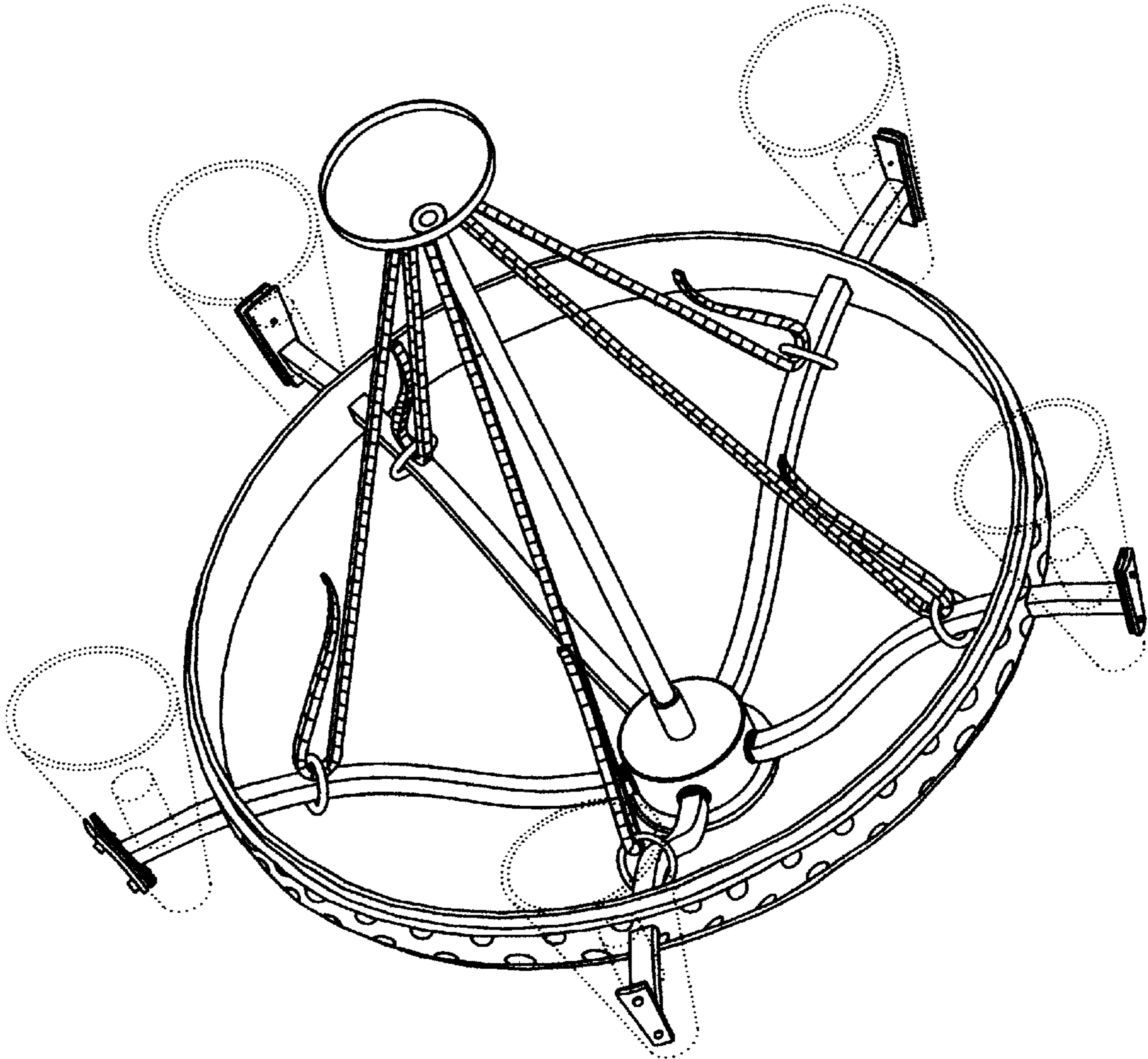


Fig. 1

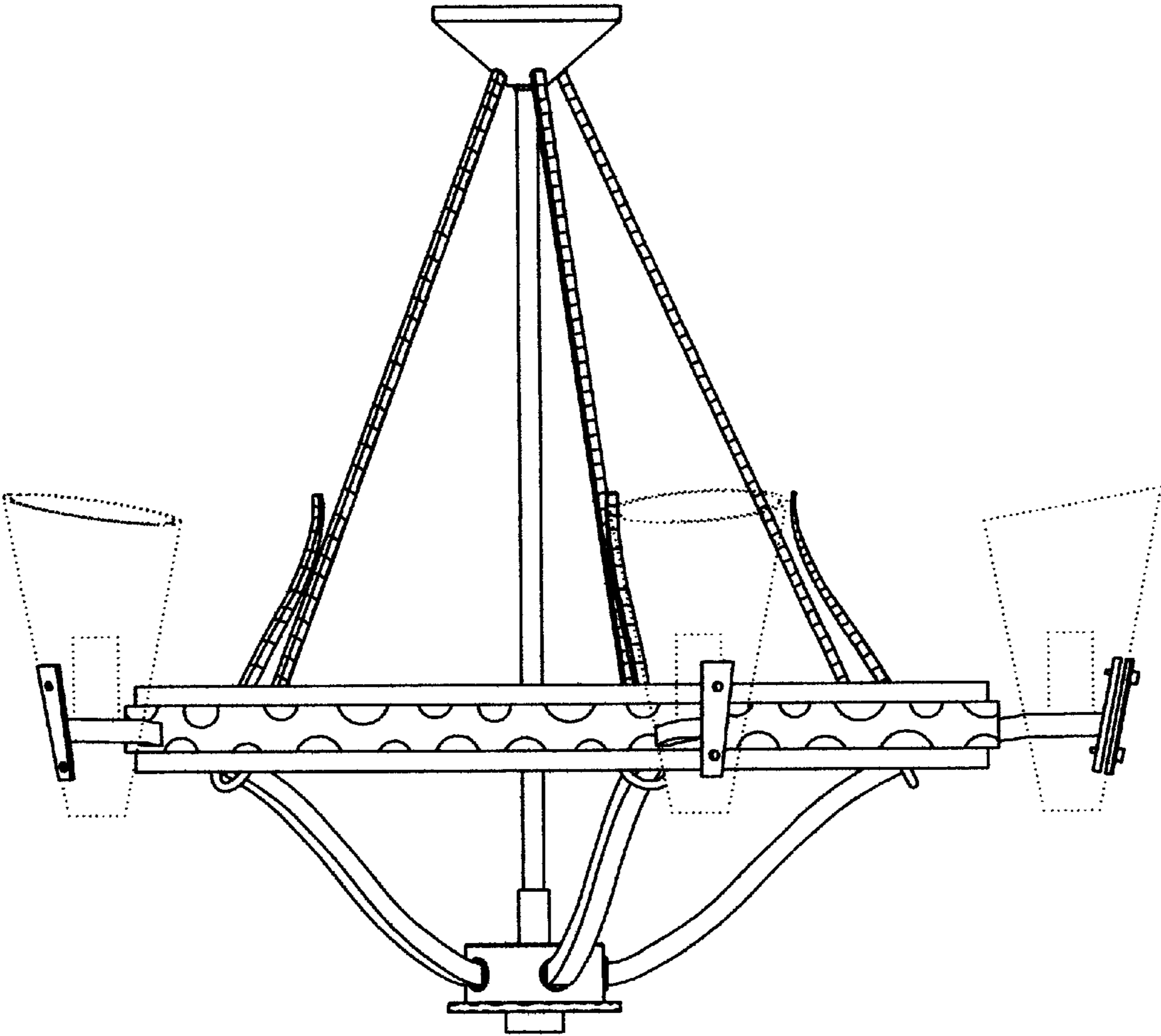


Fig. 2

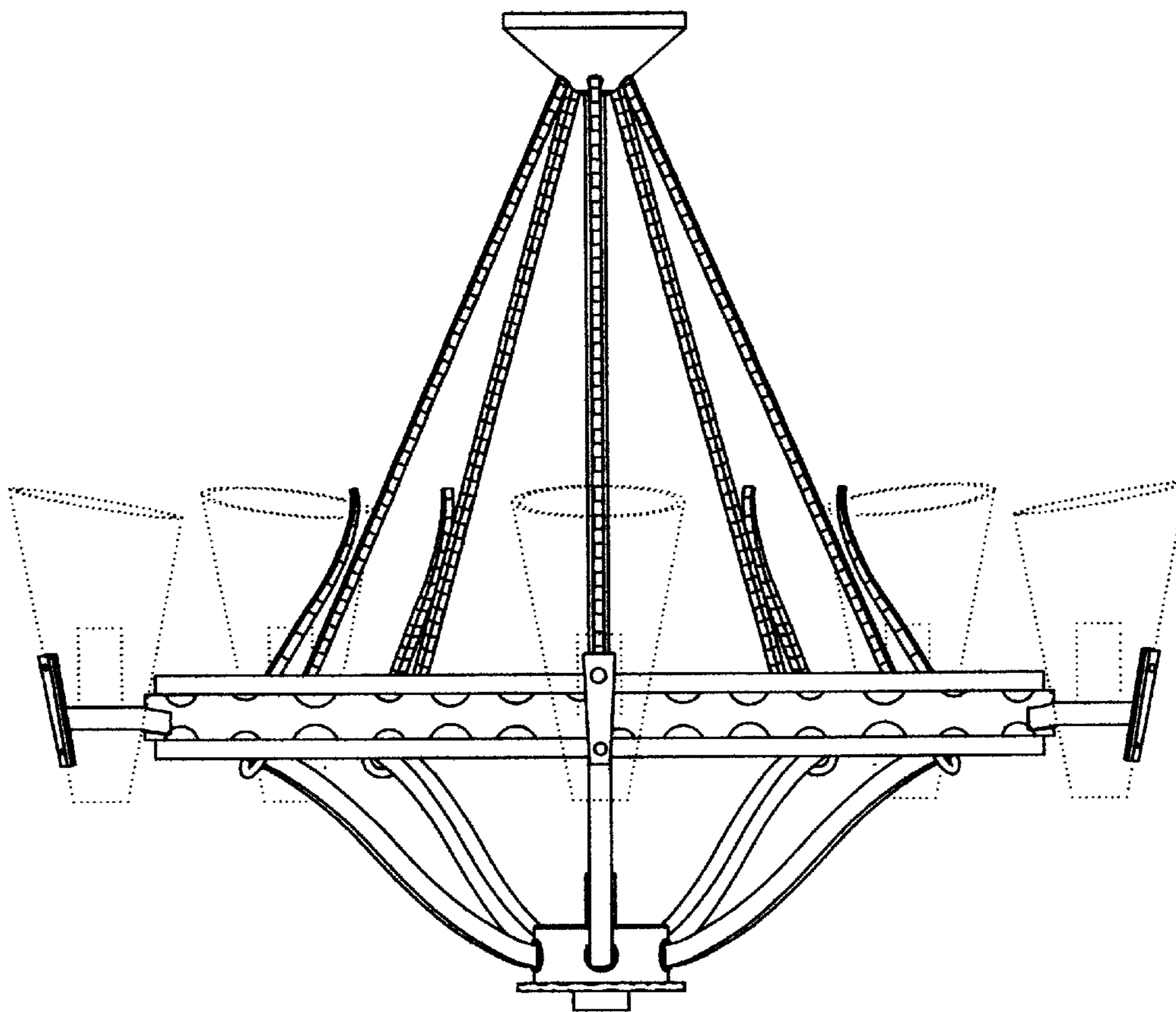


Fig. 3

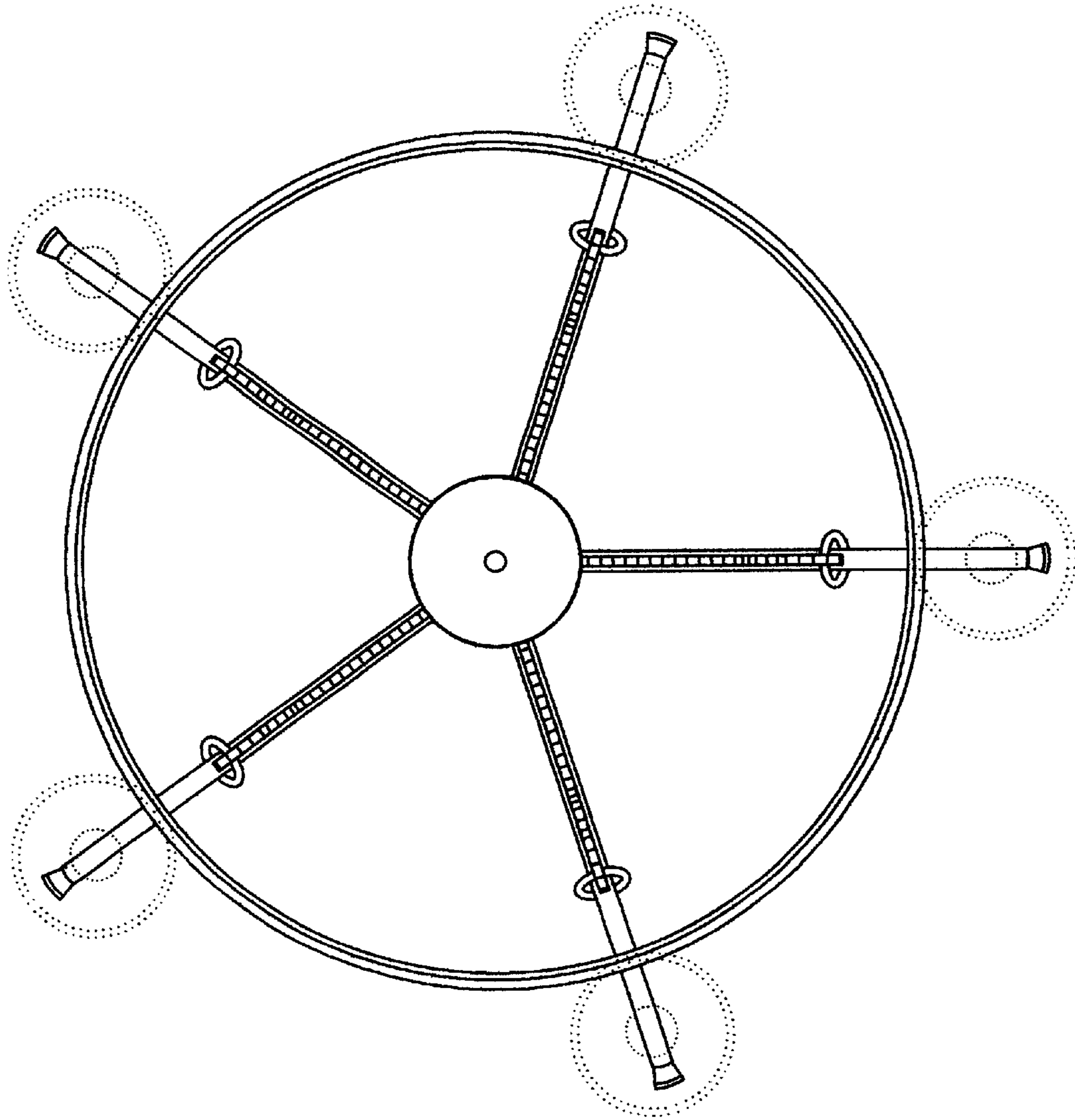


Fig. 4

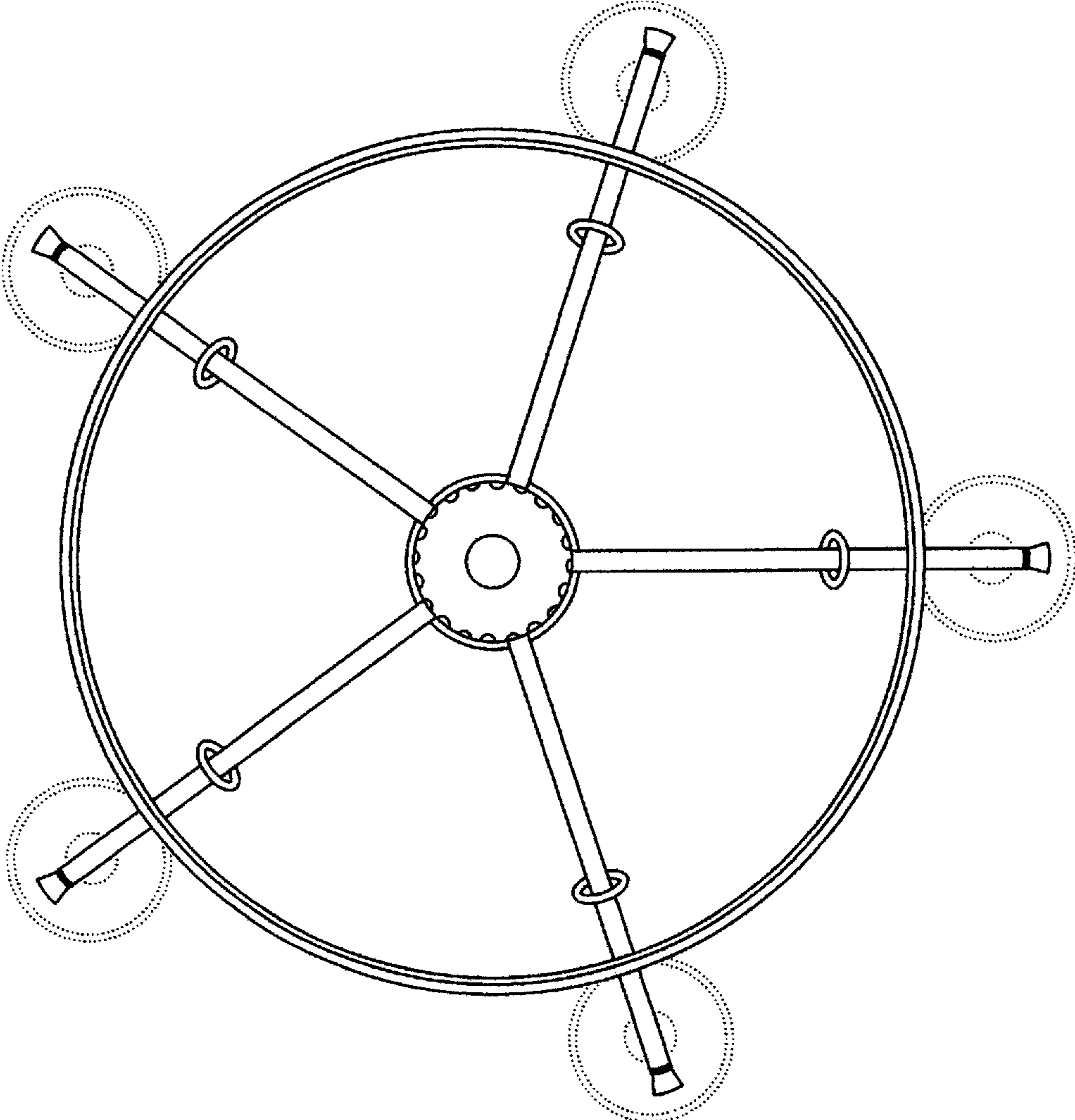


Fig. 5