



US00D520668S

(12) **United States Design Patent**
Brunner

(10) **Patent No.:** **US D520,668 S**

(45) **Date of Patent:** **** May 9, 2006**

(54) **LIGHT**

(75) Inventor: **Richard Brunner**, Louisville, KY (US)

(73) Assignee: **Volume International, Inc.**, Houston, TX (US)

(**) Term: **14 Years**

(21) Appl. No.: **29/232,900**

(22) Filed: **Jun. 24, 2005**

(51) **LOC (8) Cl.** **26-03**

(52) **U.S. Cl.** **D26/81; D26/88**

(58) **Field of Classification Search** D26/72,
D26/80-92, 138, 155, 142-145; 362/147,
362/404-408

See application file for complete search history.

(56) **References Cited**

U.S. PATENT DOCUMENTS

D480,495 S	*	10/2003	Brunner	D26/84
D481,150 S	*	10/2003	Lee	D26/81
D481,159 S	*	10/2003	Walker	D26/138
D499,200 S	*	11/2004	Parres	D26/81

OTHER PUBLICATIONS

World Imports Catalog No. 26 ©2004. Item # 02509-89 on p. 108.*

Linear Dome Pendant. Item #42433 from bellacor.com. Found online Sep. 23, 2005.*

Kichler Lighting Catalog No. 104 ©2004. Item # 3640 TZ on p. 90.*

* cited by examiner

Primary Examiner—Clare E Heflin

(74) *Attorney, Agent, or Firm*—Gordon G. Waggett, P.C.

(57) **CLAIM**

The ornamental design for a light, as shown and described.

DESCRIPTION

FIG. 1 is a perspective view of the light of the present invention.

FIG. 2 is a front elevation view of the light of the present invention; the back side view is a mirror image.

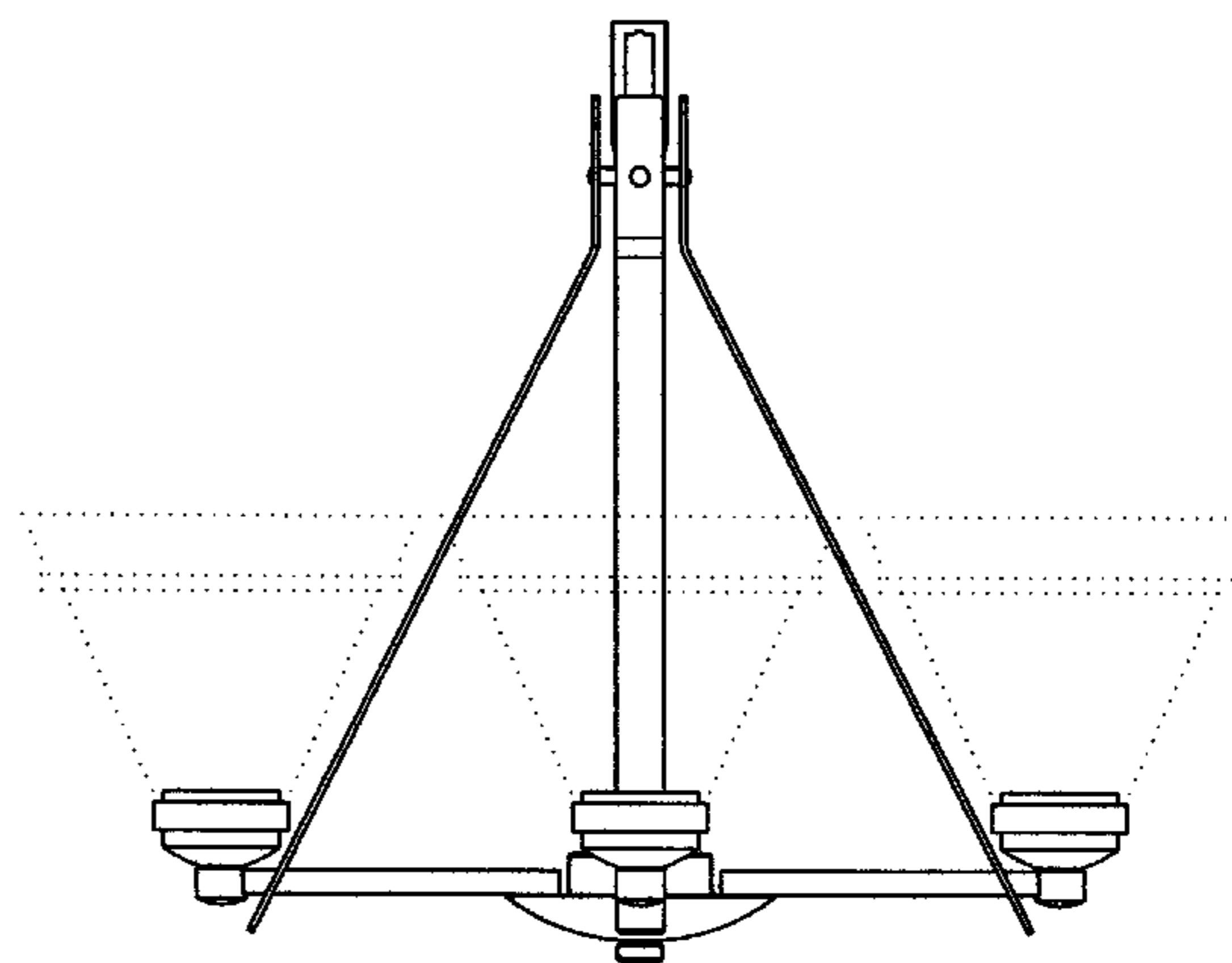
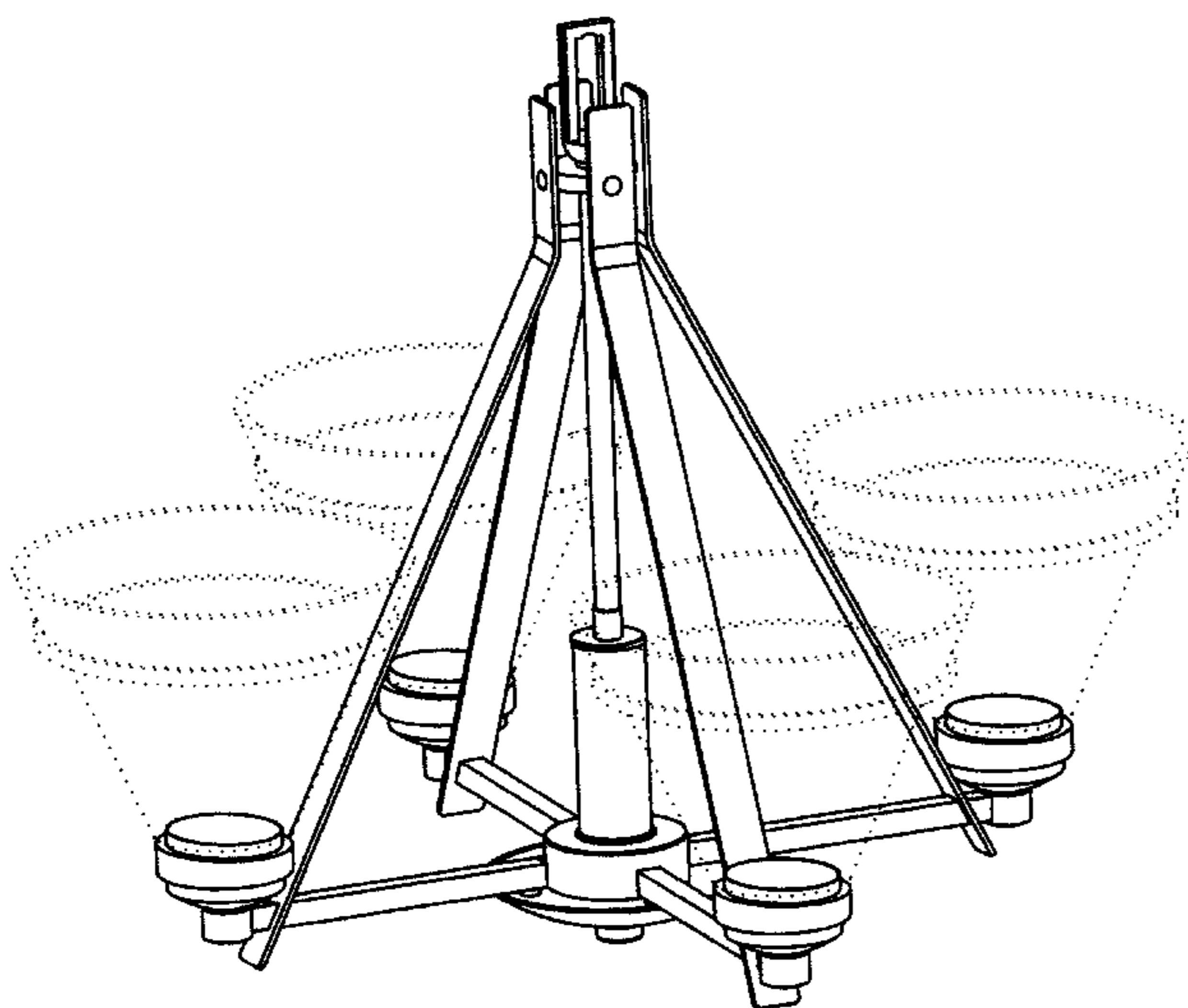
FIG. 3 is a left side elevation view of the light of the present invention, rotated ninety degrees relative to FIG. 2; the right side view is a mirror image.

FIG. 4 is a top plan view of the light of the present invention; and,

FIG. 5 is a bottom plan view of the light of the present invention.

The broken lines shown on the drawings are for illustrative purposes only and form no part of the claimed design.

1 Claim, 5 Drawing Sheets



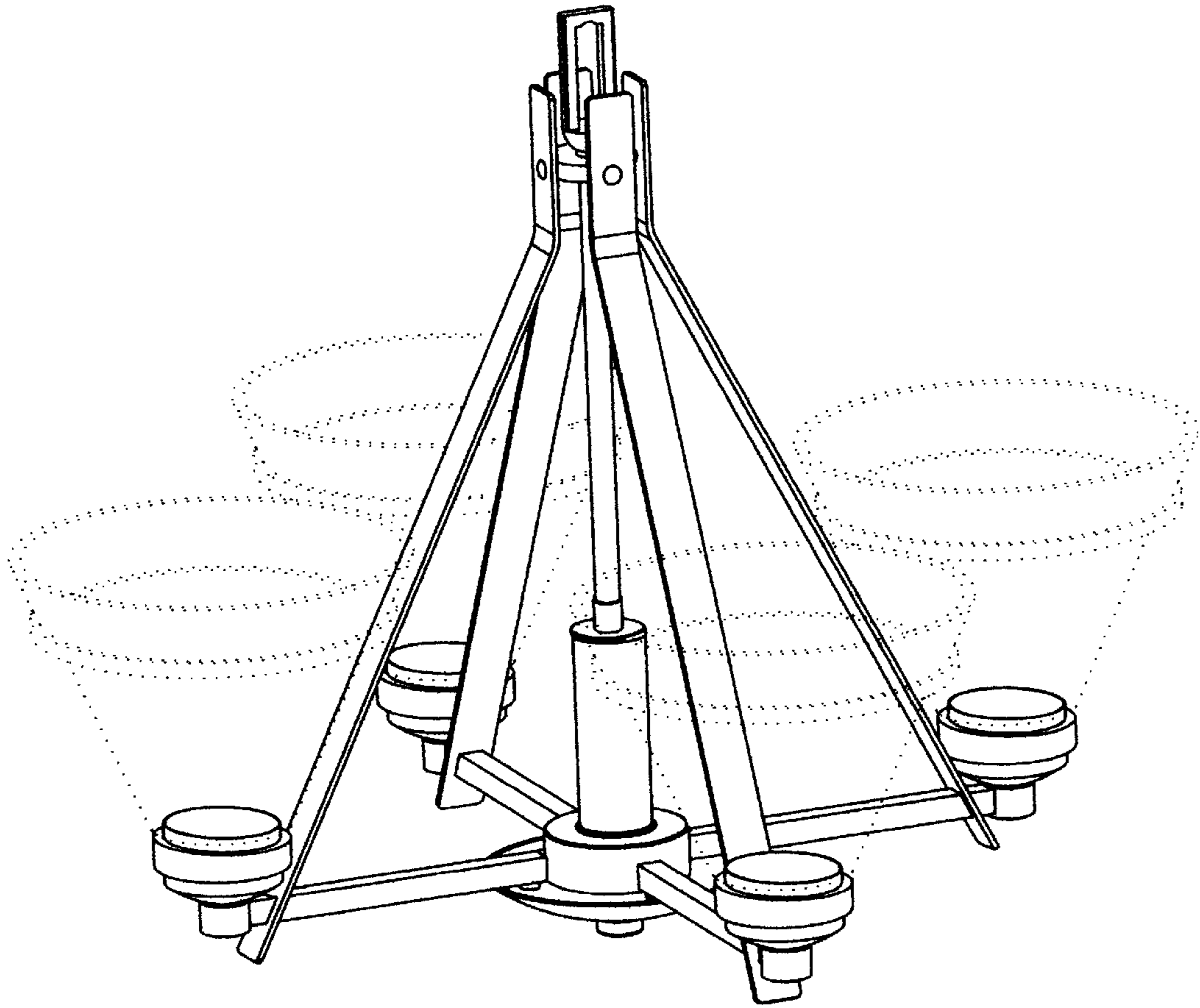


Fig. 1

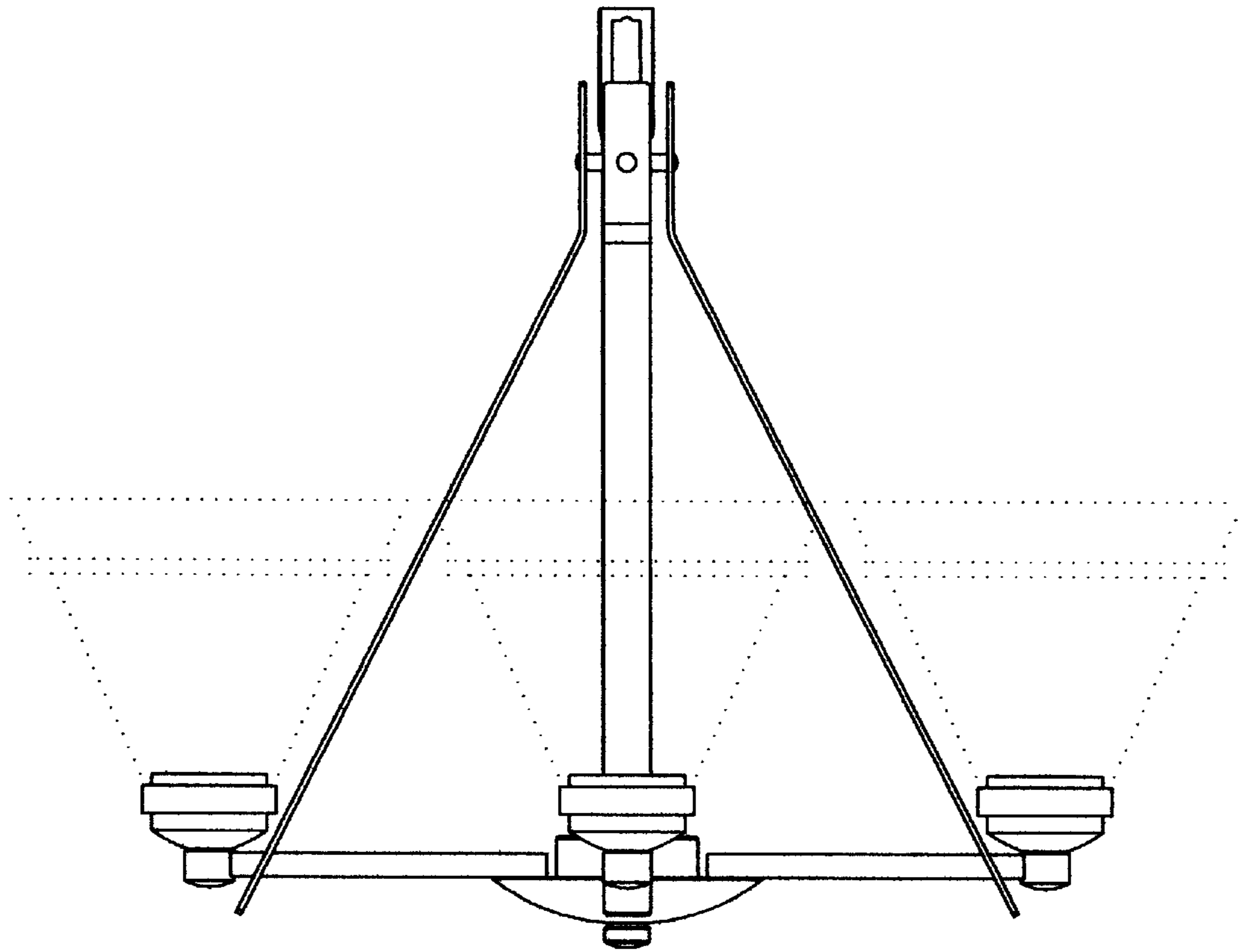


Fig. 2

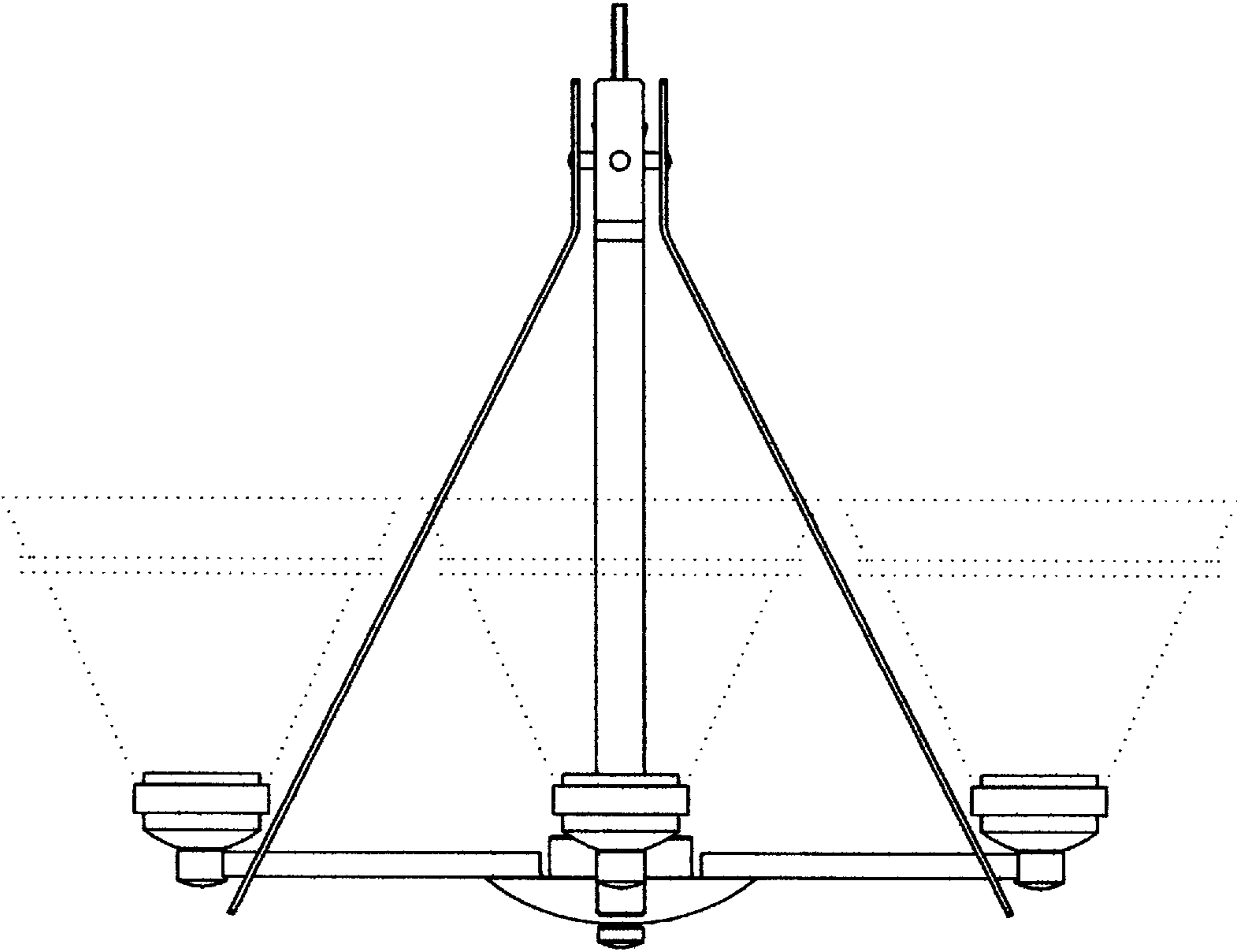


Fig. 3

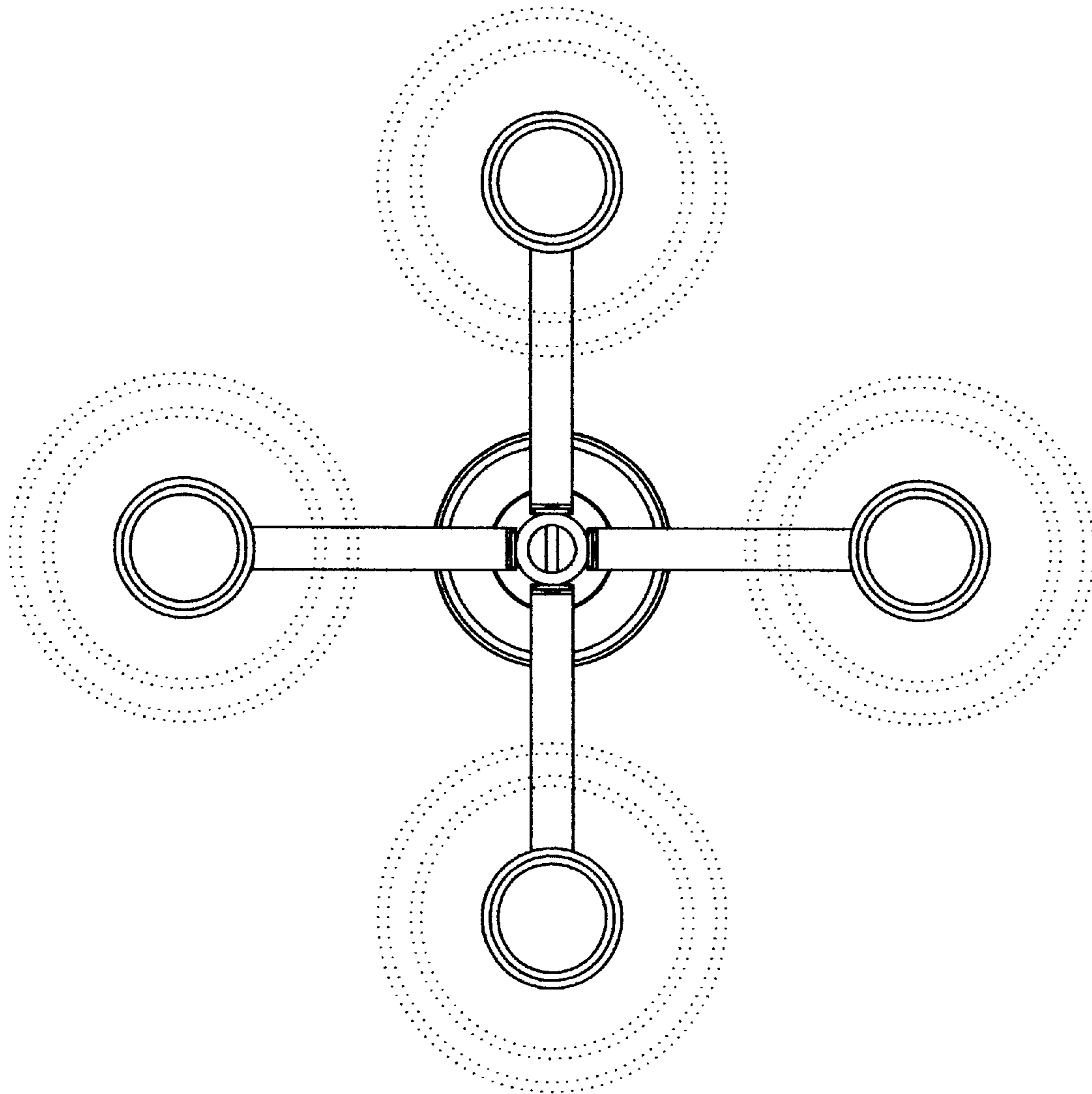


Fig. 4

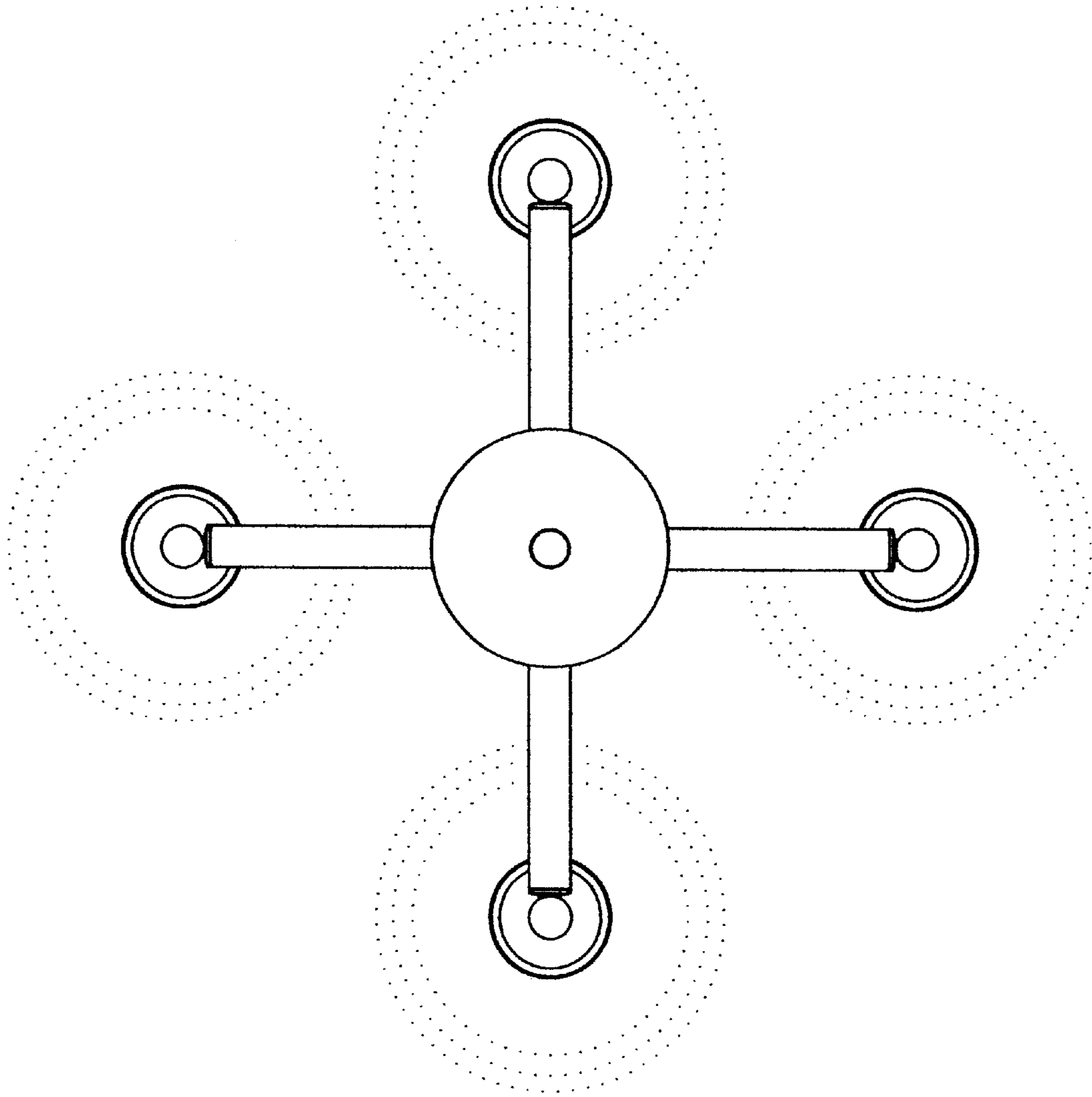


Fig. 5