

US00D520666S

(12) **United States Design Patent**
Kotovskiy et al.

(10) **Patent No.:** **US D520,666 S**

(45) **Date of Patent:** **** May 9, 2006**

(54) **LIGHTING APPARATUS**

D162,278 S * 3/1951 Ainsworth D26/78

(75) Inventors: **Irwin Kotovskiy**, 3941 California Ave.,
Pittsburgh, PA (US) 15212; **Serge**
Cornelissen, Roeselare (BE); **Robert**
Cornelissen, Roeselare (BE)

* cited by examiner

Primary Examiner—Clare E Heflin
(74) *Attorney, Agent, or Firm*—Ansel M. Schwartz

(73) Assignee: **Irwin Kotovskiy**, Pittsburgh, PA (US)

(**) Term: **14 Years**

(57) **CLAIM**

We claim the ornamental design for the lighting apparatus,
as shown and described.

(21) Appl. No.: **29/202,390**

(22) Filed: **Mar. 30, 2004**

DESCRIPTION

(51) **LOC (8) Cl.** **26-03**

(52) **U.S. Cl.** **D26/76; D26/72**

(58) **Field of Classification Search** D26/72,
D26/75-78, 118, 122, 24; 362/605, 147,
362/151, 217-225

FIG. 1 is a front perspective view of a lighting apparatus
showing my new design;

FIG. 2 is a top elevational view thereof;

FIG. 3 is a right side elevational view thereof;

FIG. 4 is a bottom elevational view thereof; and,

FIG. 5 is a front elevational view thereof.

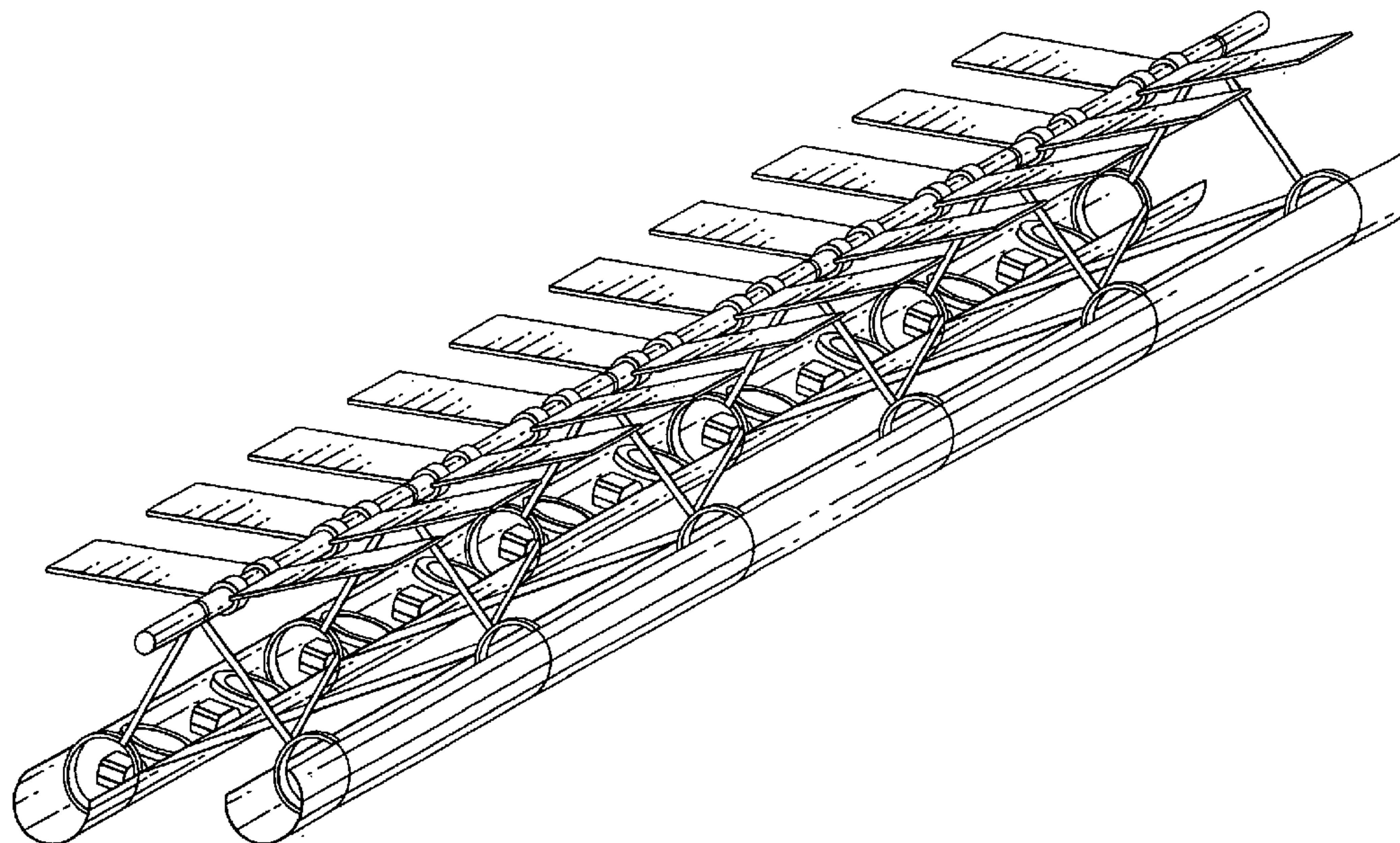
See application file for complete search history.

(56) **References Cited**

U.S. PATENT DOCUMENTS

D122,903 S * 10/1940 McCarthy D26/78

1 Claim, 3 Drawing Sheets



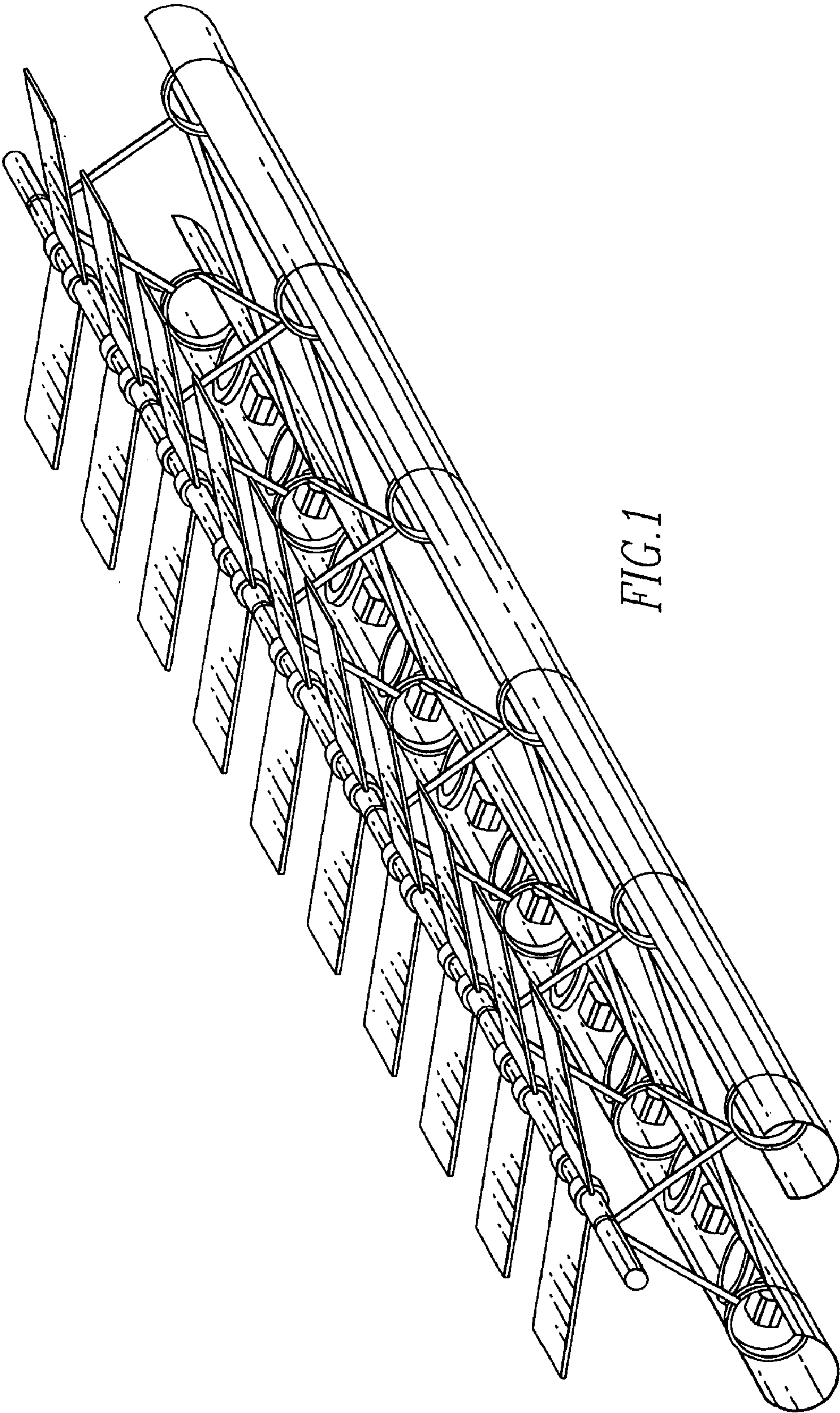


FIG. 1

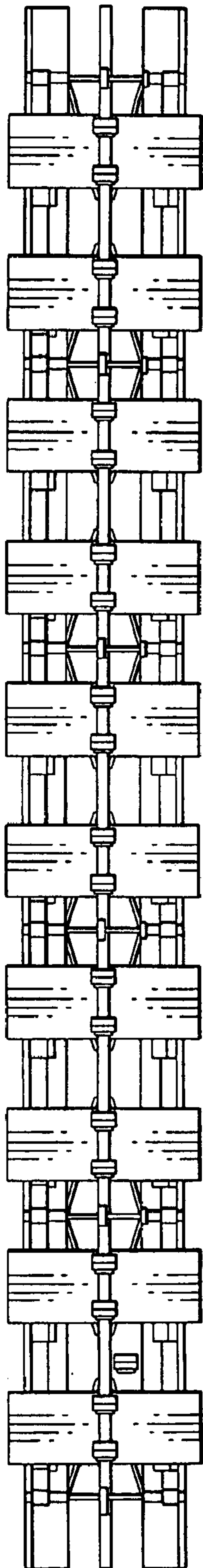


FIG. 2

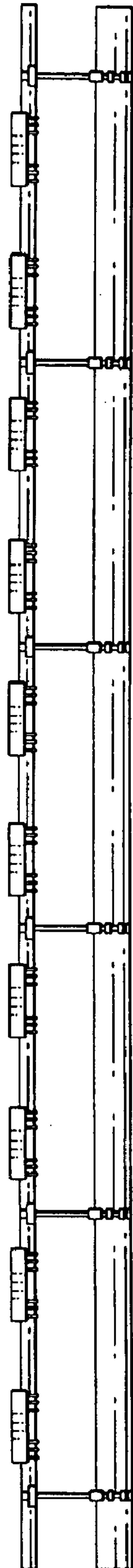


FIG. 3

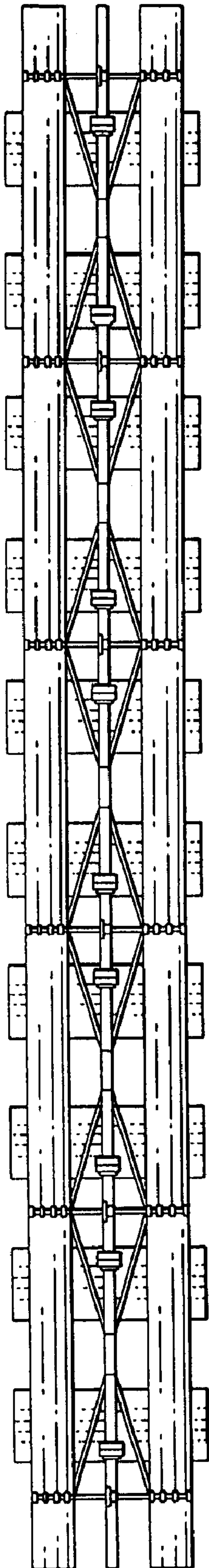


FIG. 4

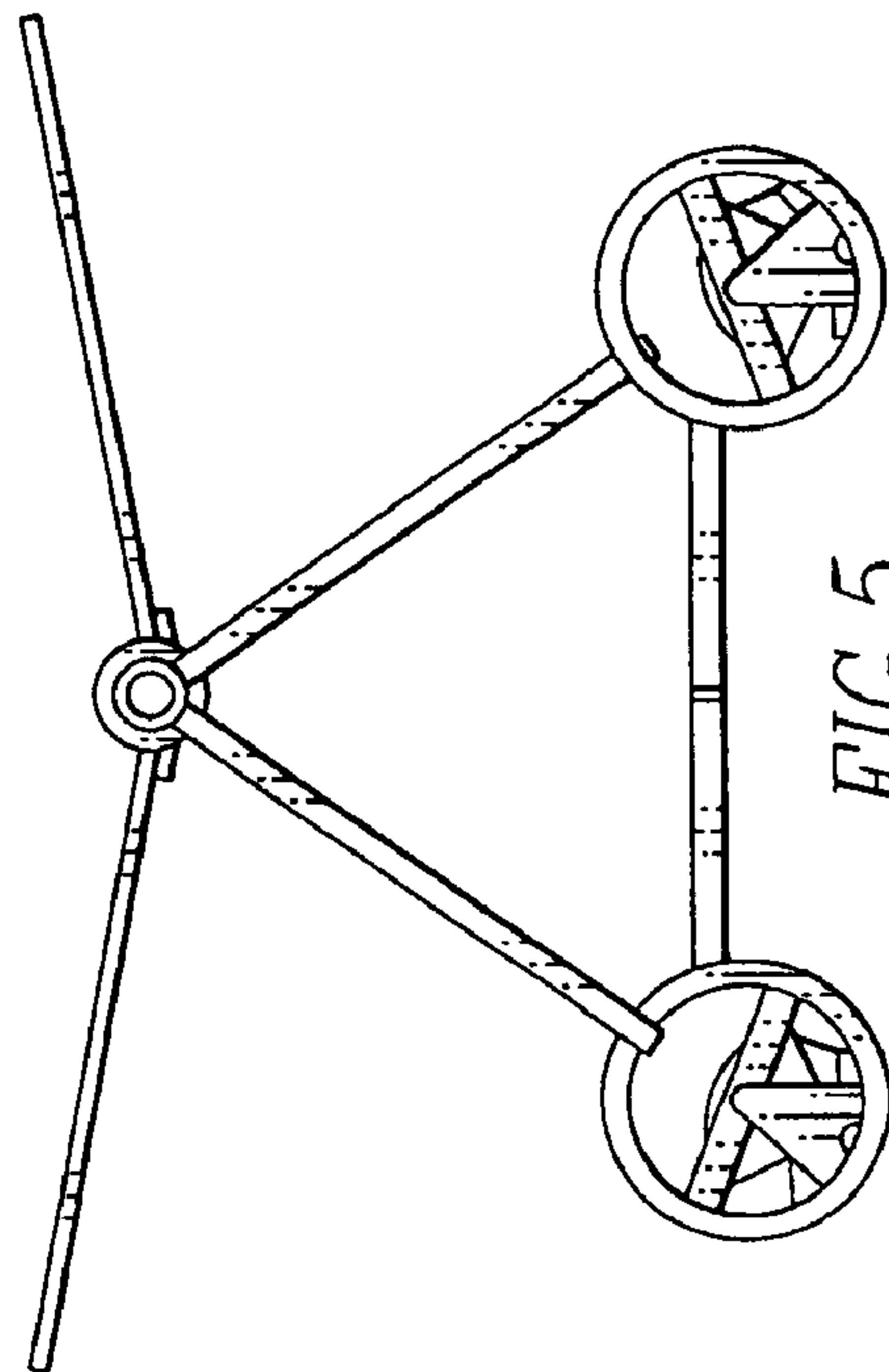


FIG. 5