



US00D520665S

(12) **United States Design Patent**
Jiang

(10) **Patent No.:** **US D520,665 S**

(45) **Date of Patent:** **** May 9, 2006**

(54) **COUNTER LIGHT FIXTURE**

(57) **CLAIM**

(76) **Inventor:** **Shuenn-Fa Jiang**, P.O. Box 166-13,
Taipei (TW), 115

The ornamental design for a counter light fixture, as shown and described.

(**) **Term:** **14 Years**

DESCRIPTION

(21) **Appl. No.:** **29/201,822**

FIG. 1 is a front top perspective view of the counter light fixture showing my new design;

(22) **Filed:** **Mar. 22, 2004**

FIG. 2 is a front view thereof;

(51) **LOC (8) Cl.** **26-03**

FIG. 3 is a rear view thereof;

(52) **U.S. Cl.** **D26/76; D26/72**

FIG. 4 is a left side view thereof;

(58) **Field of Classification Search** D26/72,
D26/75-78, 118, 122, 24; 362/605, 147,
362/151, 217-225

FIG. 5 is a right side view thereof;

See application file for complete search history.

FIG. 6 is a top plan view thereof;

FIG. 7 is a bottom plan view thereof;

FIG. 8 is a bottom, front perspective view of the counter light fixture showing a second embodiment of my new design with the only difference from the first embodiment being a transparent panel to show the fluorescent tube arrangement therein;

(56) **References Cited**

FIG. 9 is a bottom, front perspective view thereof showing the transparent panel in the open position;

U.S. PATENT DOCUMENTS

FIG. 10 is a bottom, front perspective view of the counter light fixture showing a third embodiment of my new design with the only difference from the second embodiment being a two-lamp light source; and,

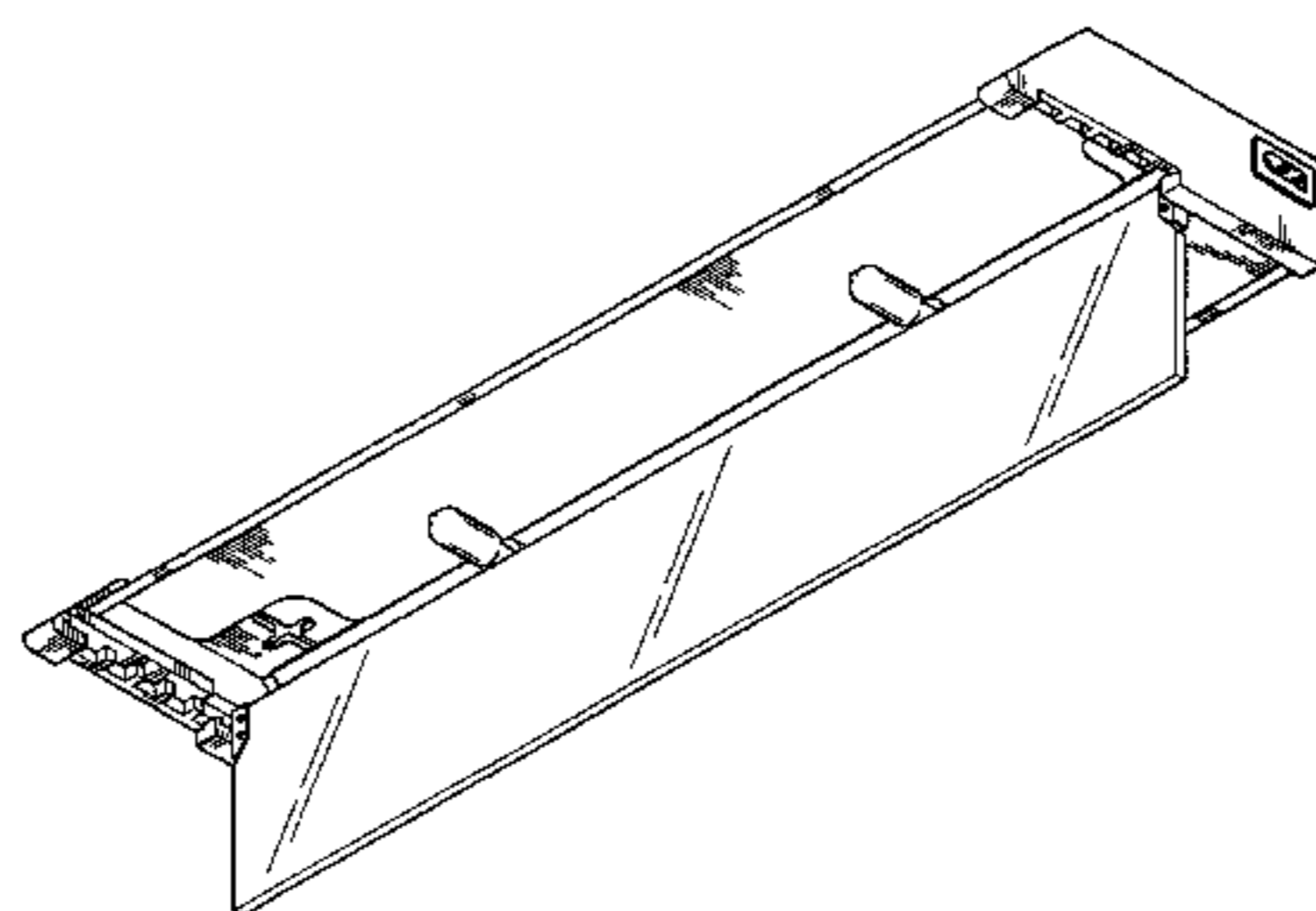
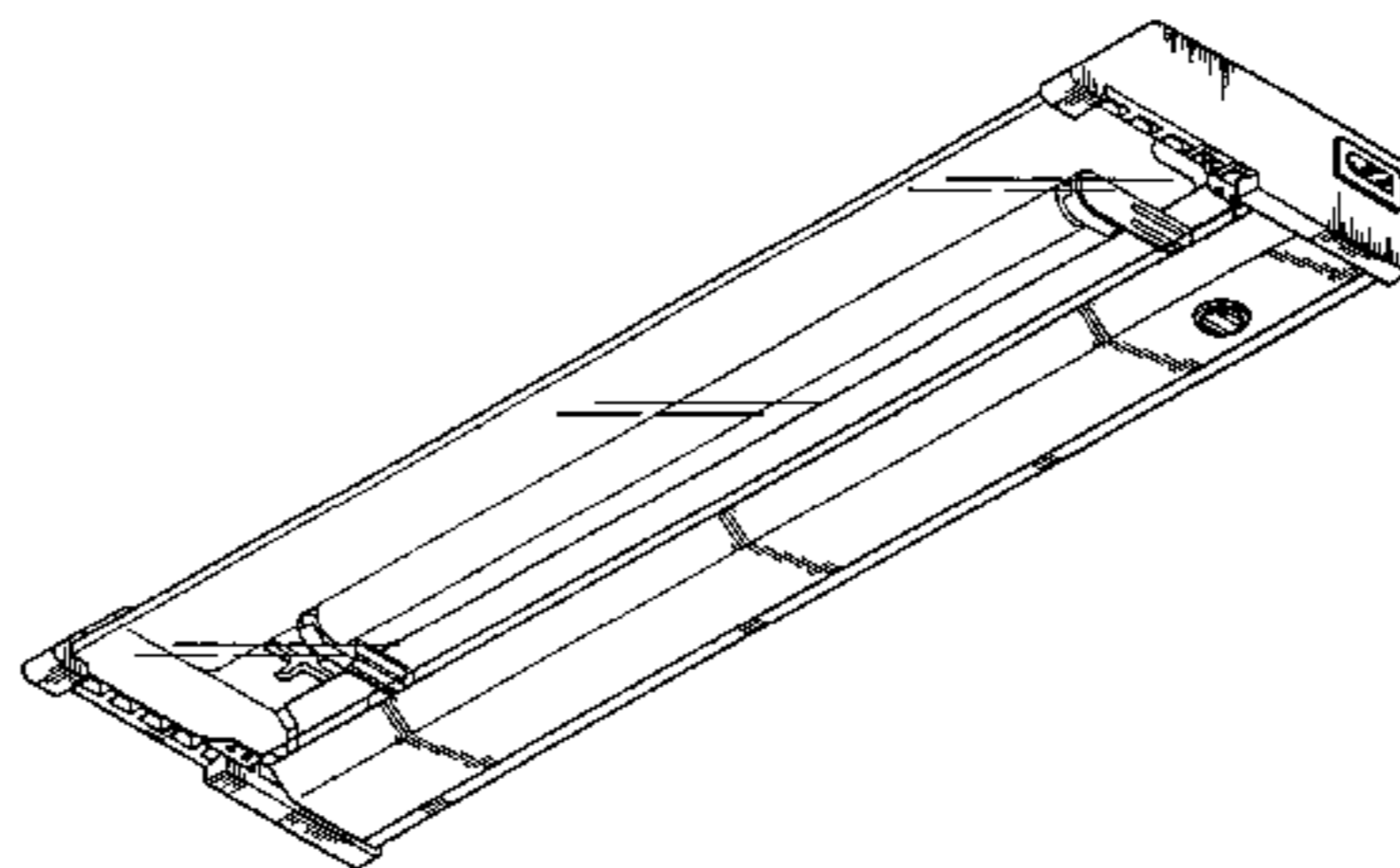
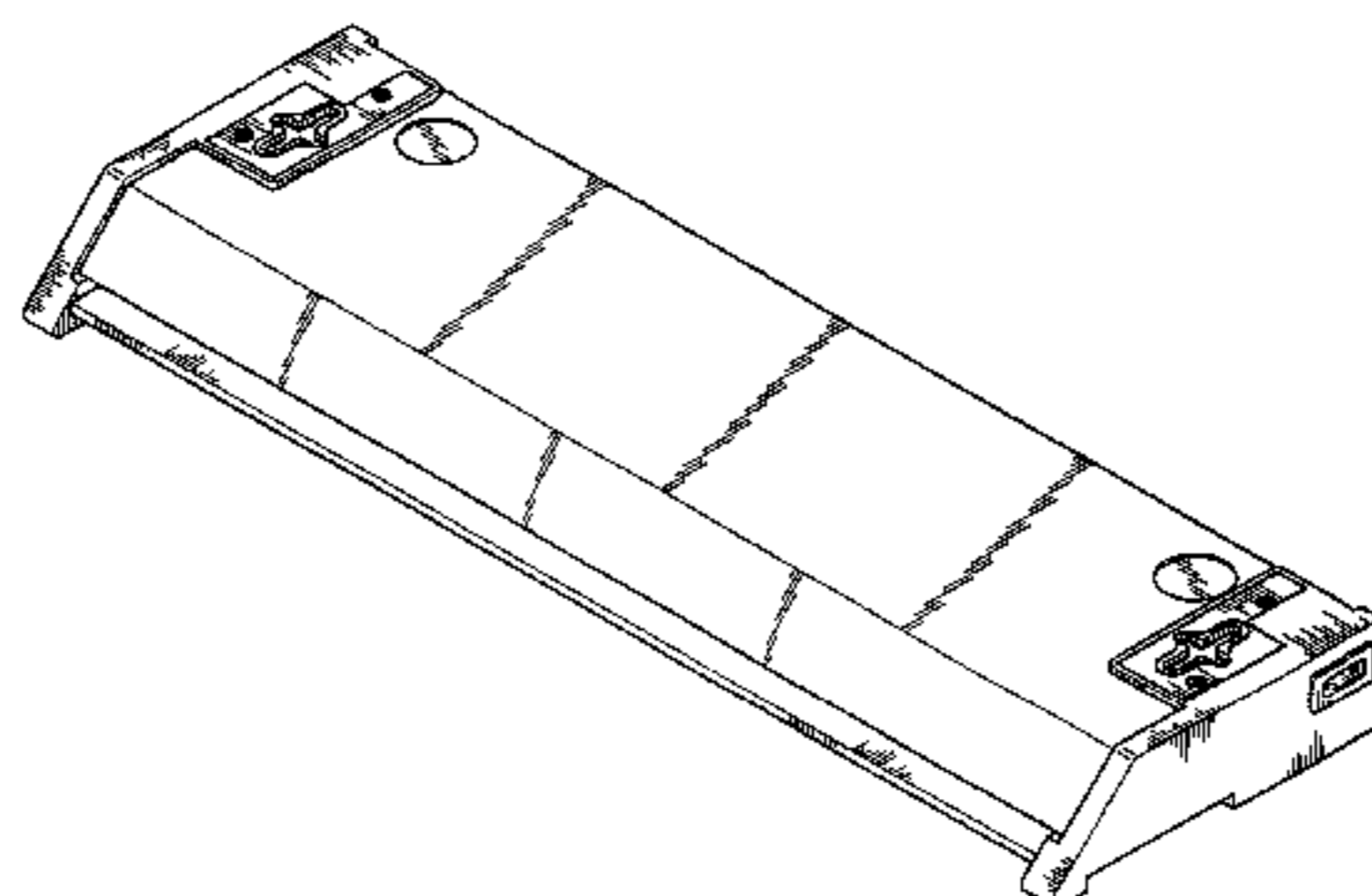
D135,253 S	*	3/1943	Hrabak	D26/76
D135,255 S	*	3/1943	Hrabak	D26/76
D337,844 S	*	7/1993	Poirier	D26/76
D464,757 S	*	10/2002	Echito	D26/75

FIG. 11 is a bottom, front perspective view thereof showing the transparent panel in the open position.

* cited by examiner

Primary Examiner—Clare E Heflin

1 Claim, 4 Drawing Sheets



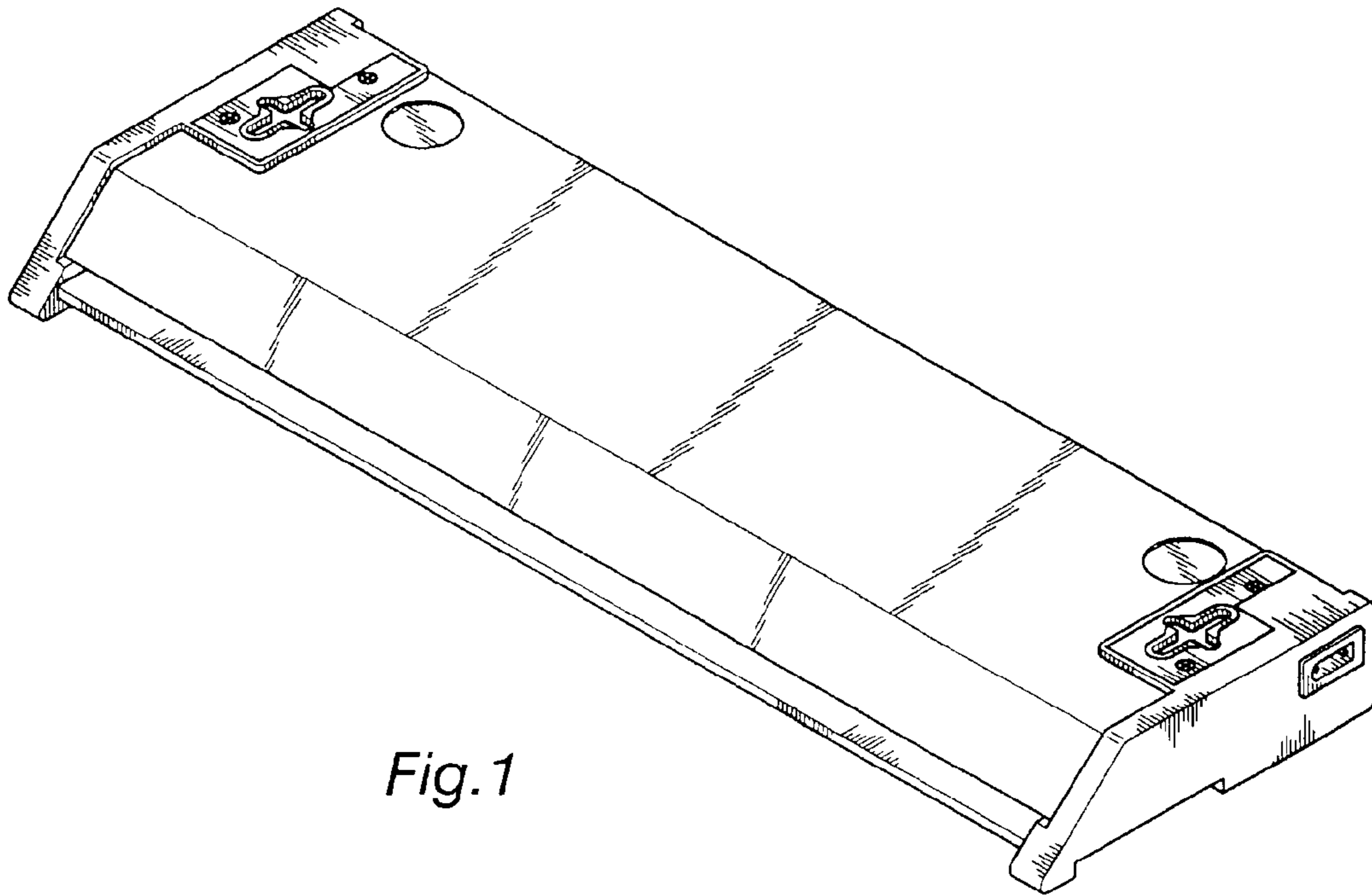


Fig. 1

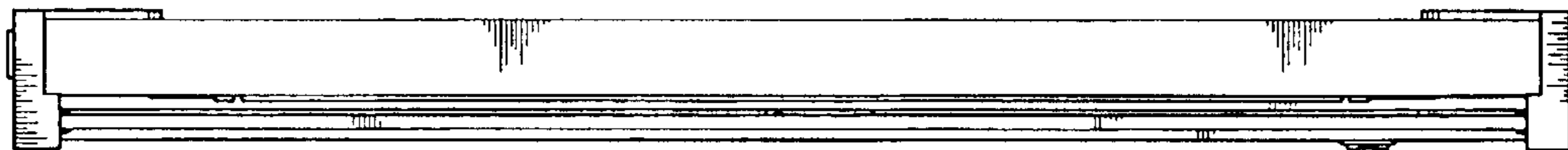


Fig. 2

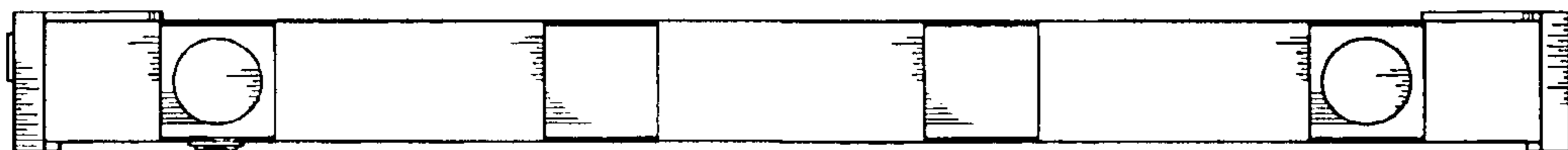


Fig. 3

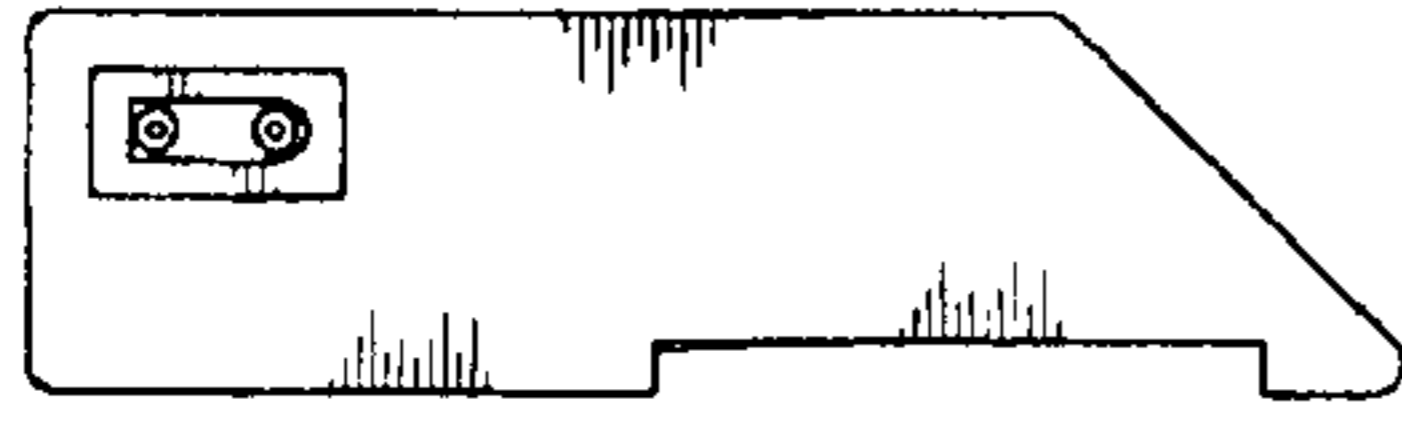


Fig. 4

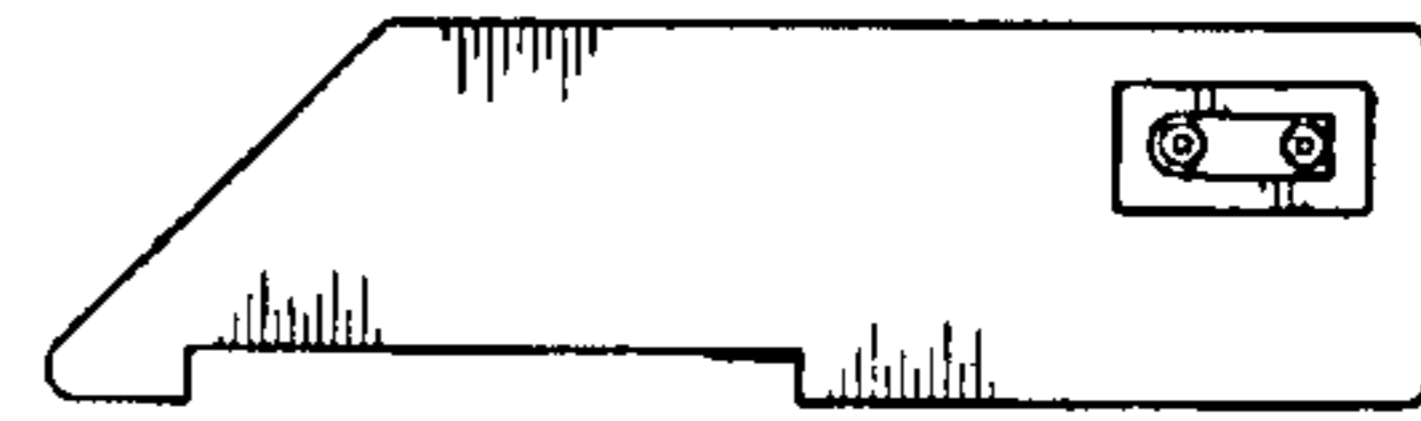


Fig. 5

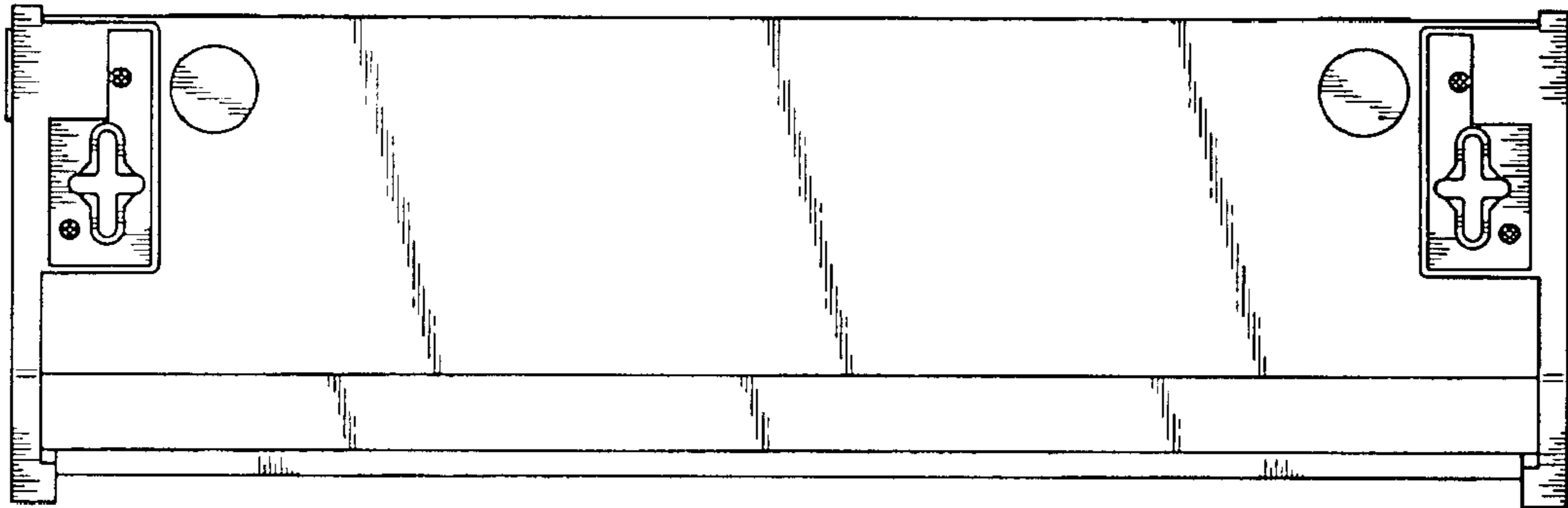


Fig. 6

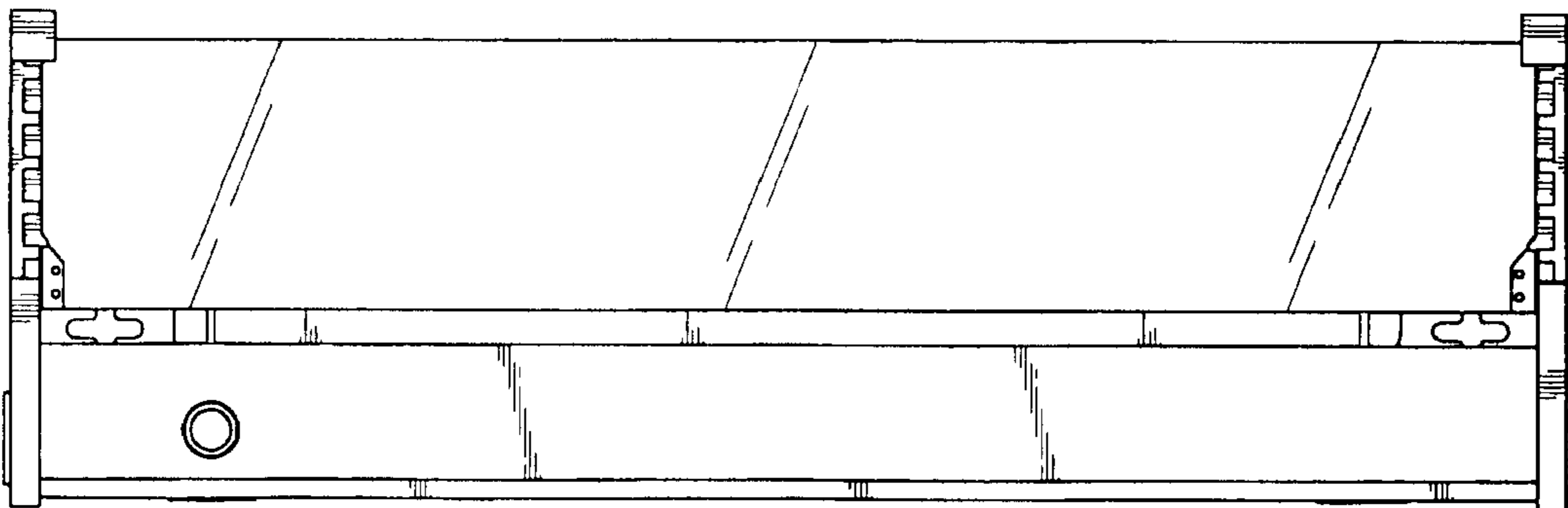


Fig. 7

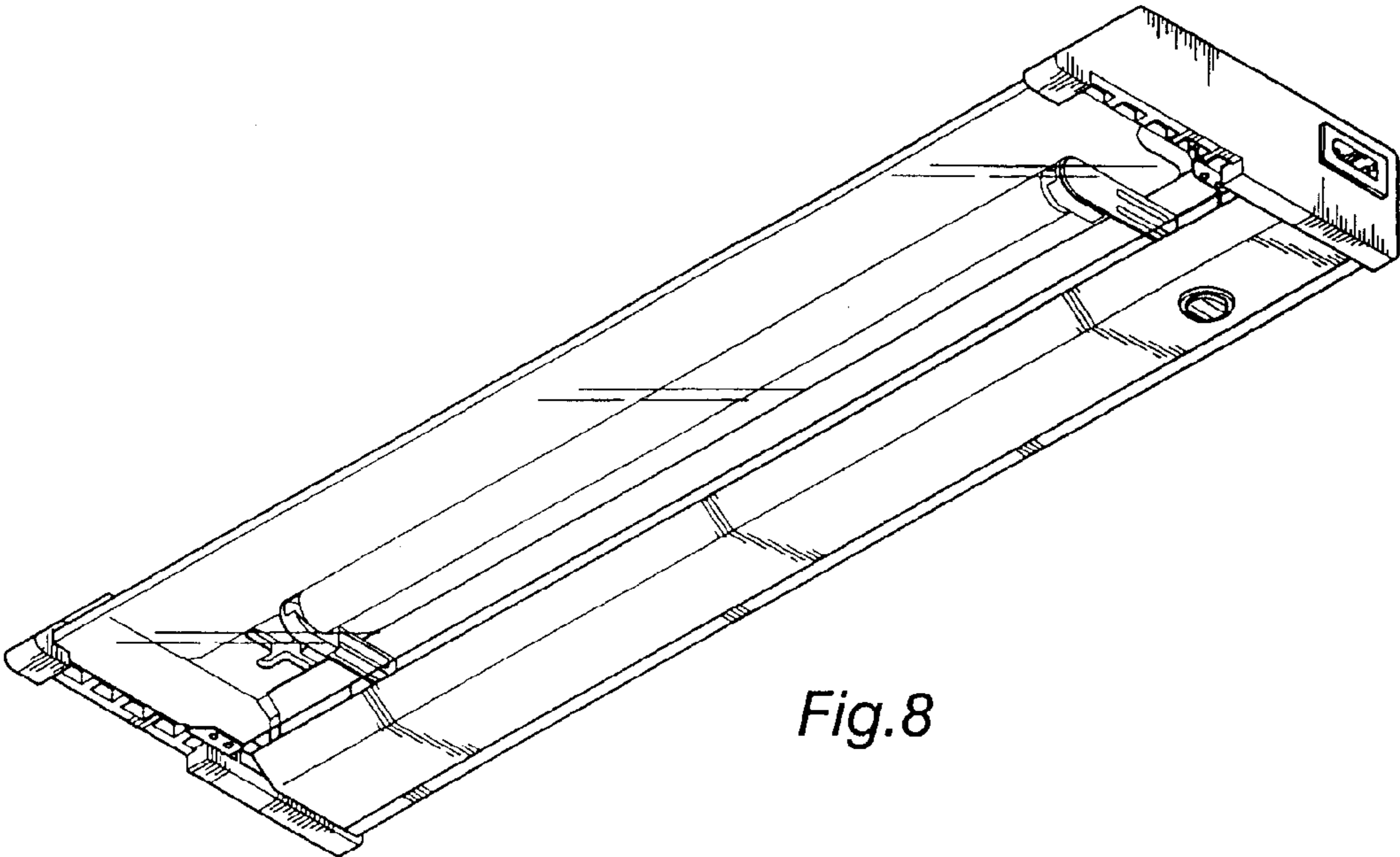


Fig.8

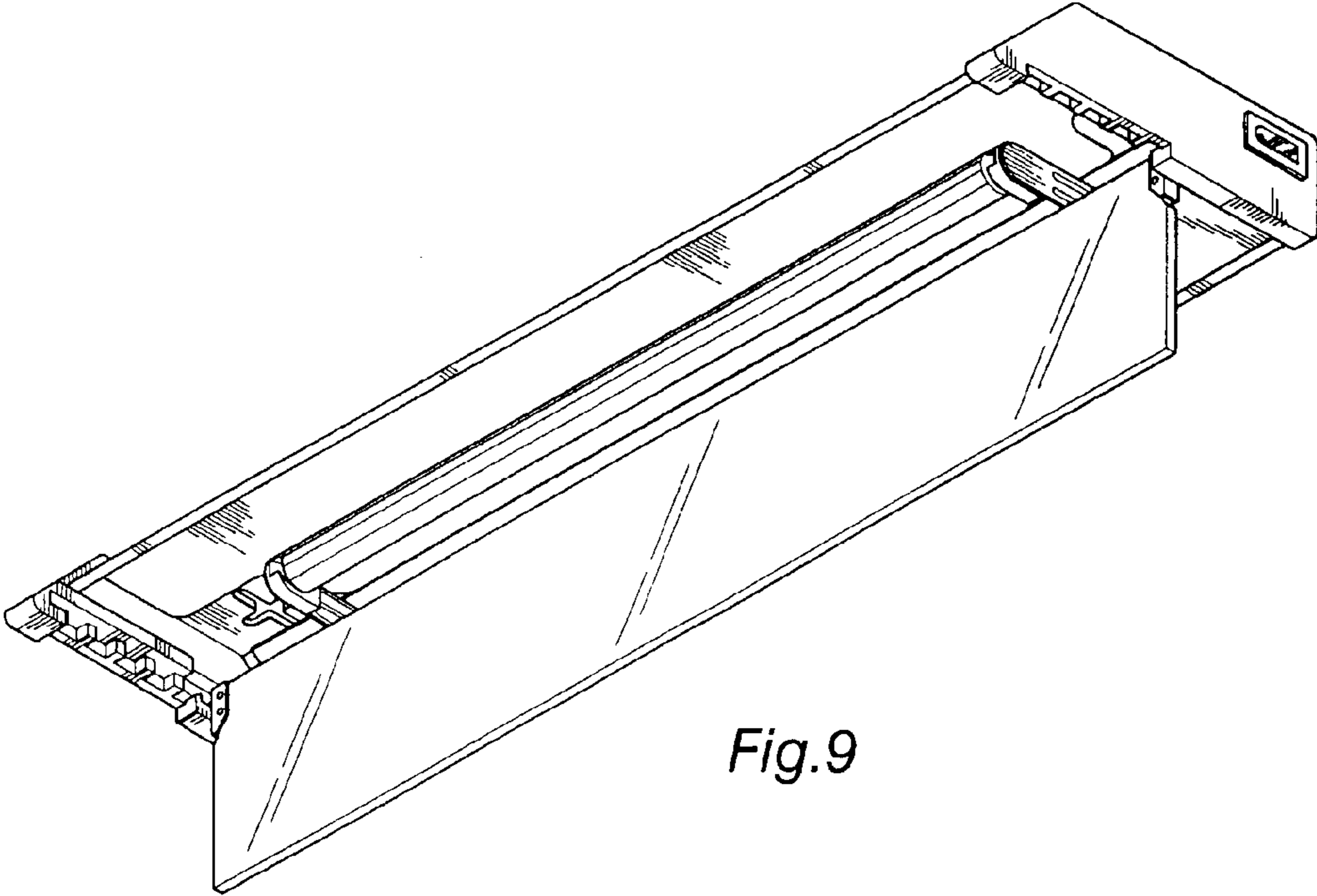


Fig.9

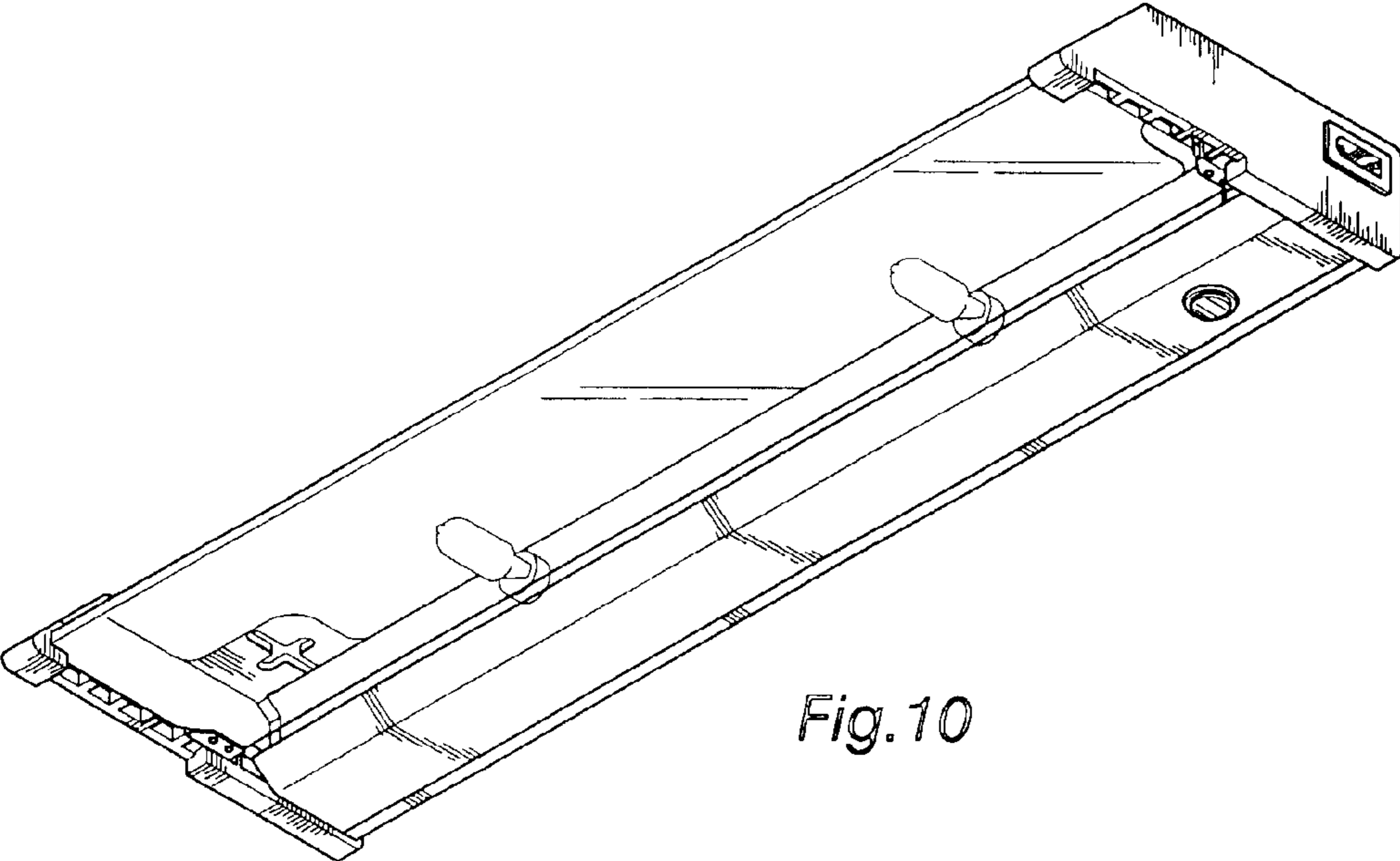


Fig.10

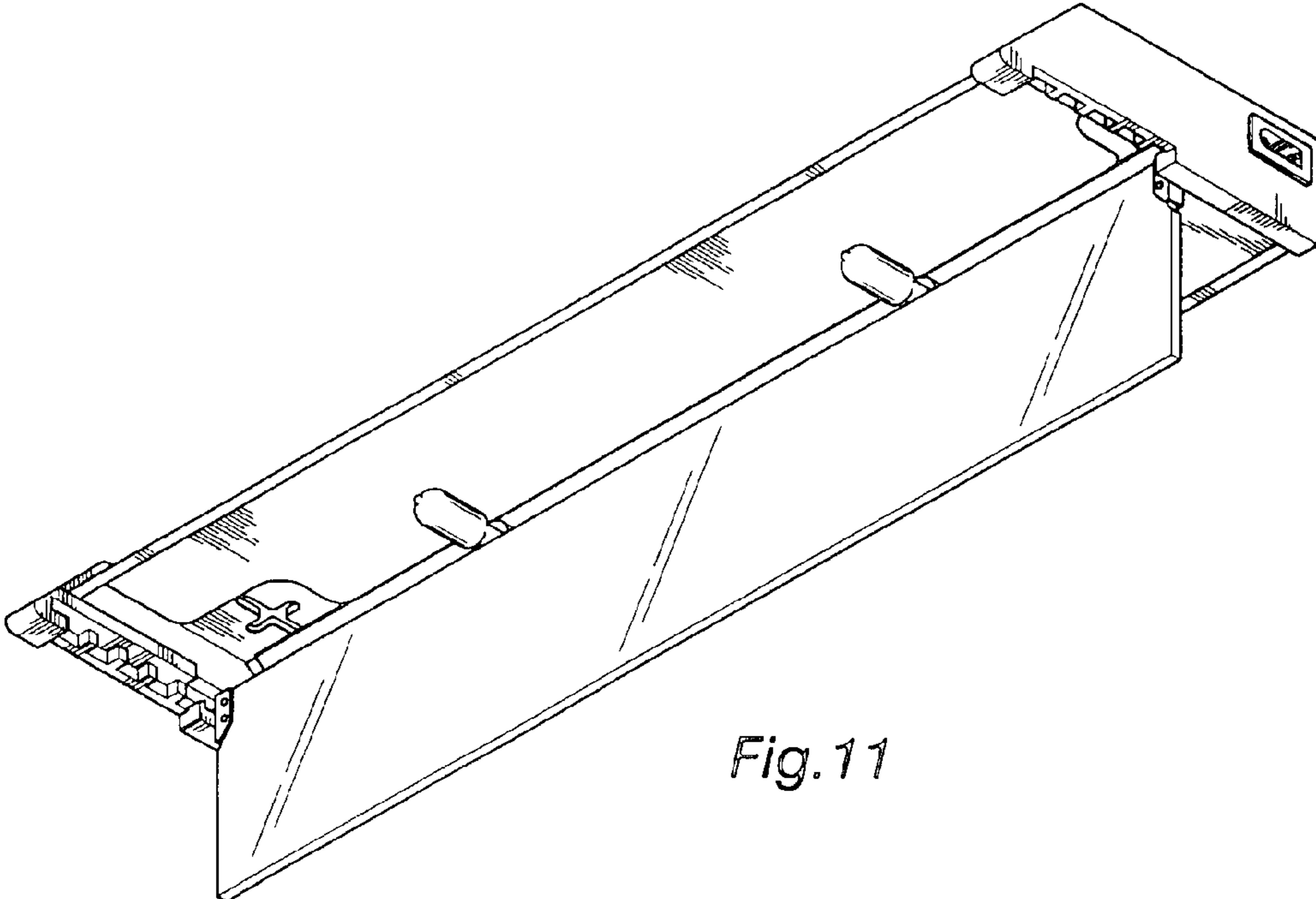


Fig.11