



US00D520663S

(12) **United States Design Patent**
Ancona et al.

(10) **Patent No.:** **US D520,663 S**

(45) **Date of Patent:** **** May 9, 2006**

(54) **LAMP**

(75) Inventors: **Bruce Ancona**, New York, NY (US);
Louis F. Henry, Scarsdale, NY (US)

(73) Assignee: **Catalina Lighting, Inc.**, Miami, FL
(US)

(**) Term: **14 Years**

(21) Appl. No.: **29/216,673**

(22) Filed: **Nov. 5, 2004**

(51) **LOC (8) Cl.** **26-05**

(52) **U.S. Cl.** **D26/65; D26/63**

(58) **Field of Classification Search** D26/60-65,
D26/93, 118, 107, 43, 51, 56; 362/269, 277,
362/278, 282, 285, 287, 288, 410, 413, 418-430,
362/449

See application file for complete search history.

(56) **References Cited**

U.S. PATENT DOCUMENTS

D348,536 S * 7/1994 Huang D26/107

D349,582 S * 8/1994 Bain et al. D26/61

D392,068 S * 3/1998 Newhouse D26/107

D411,323 S * 6/1999 Benghozi D26/64

D417,924 S * 12/1999 Chen D26/65

D439,358 S * 3/2001 Lin D26/65

* cited by examiner

Primary Examiner—Clare E Heflin

(74) *Attorney, Agent, or Firm*—Mark Montague, Esq.;
Cowan, Liebowitz, & Latman, P.C.

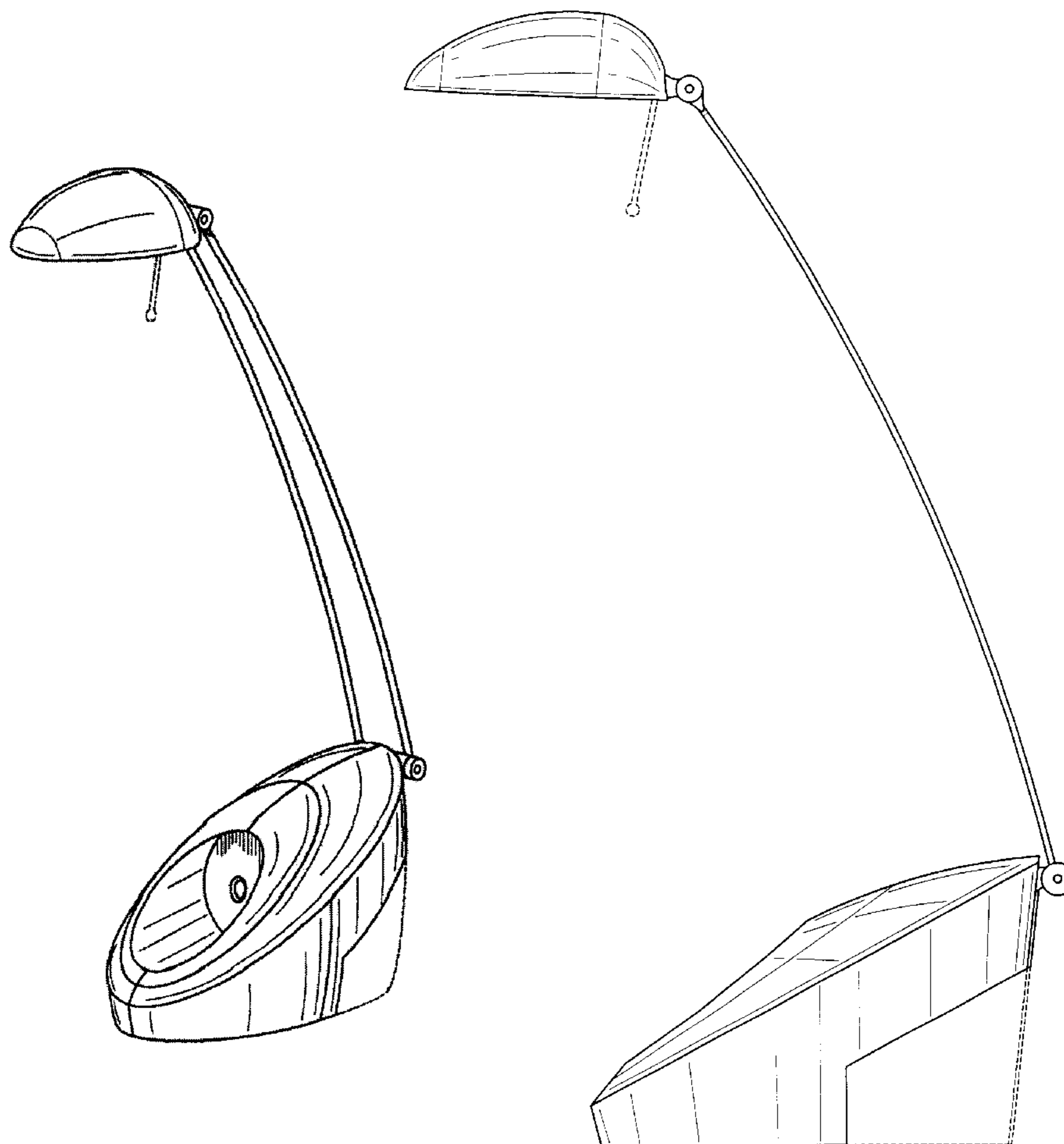
(57) **CLAIM**

The ornamental design for a lamp, as shown and described.

DESCRIPTION

FIG. 1 is a perspective view of the lamp;
FIG. 2 is a side elevational view of the lamp;
FIG. 3 is a front elevational view of the lamp;
FIG. 4 is a rear elevational view of the lamp;
FIG. 5 is a bottom plan view of the lamp; and,
FIG. 6 is a top plan view of the lamp.
The broken lines are for purposes of illustration only and
form no part of the claimed design.

1 Claim, 2 Drawing Sheets



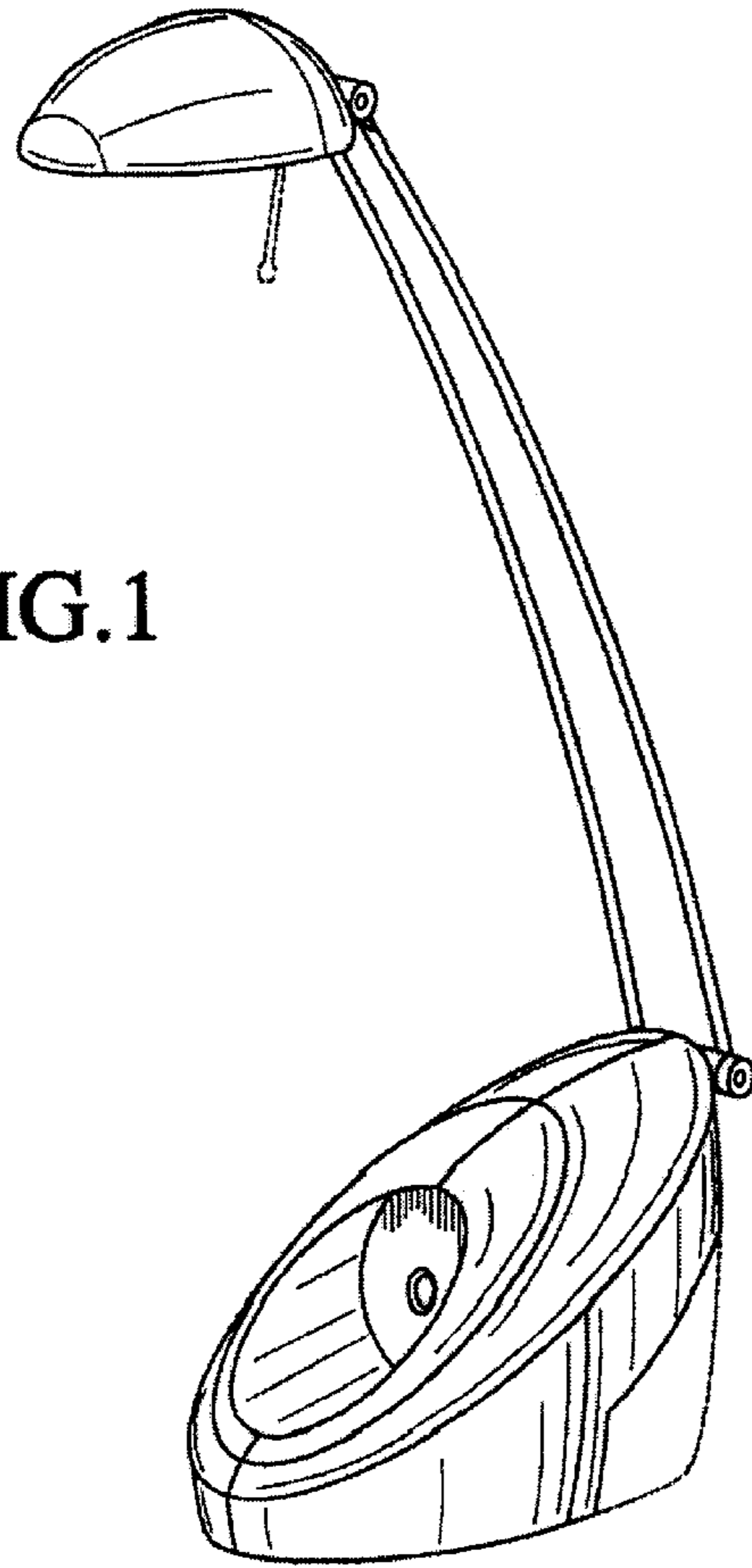


FIG. 1

FIG. 6

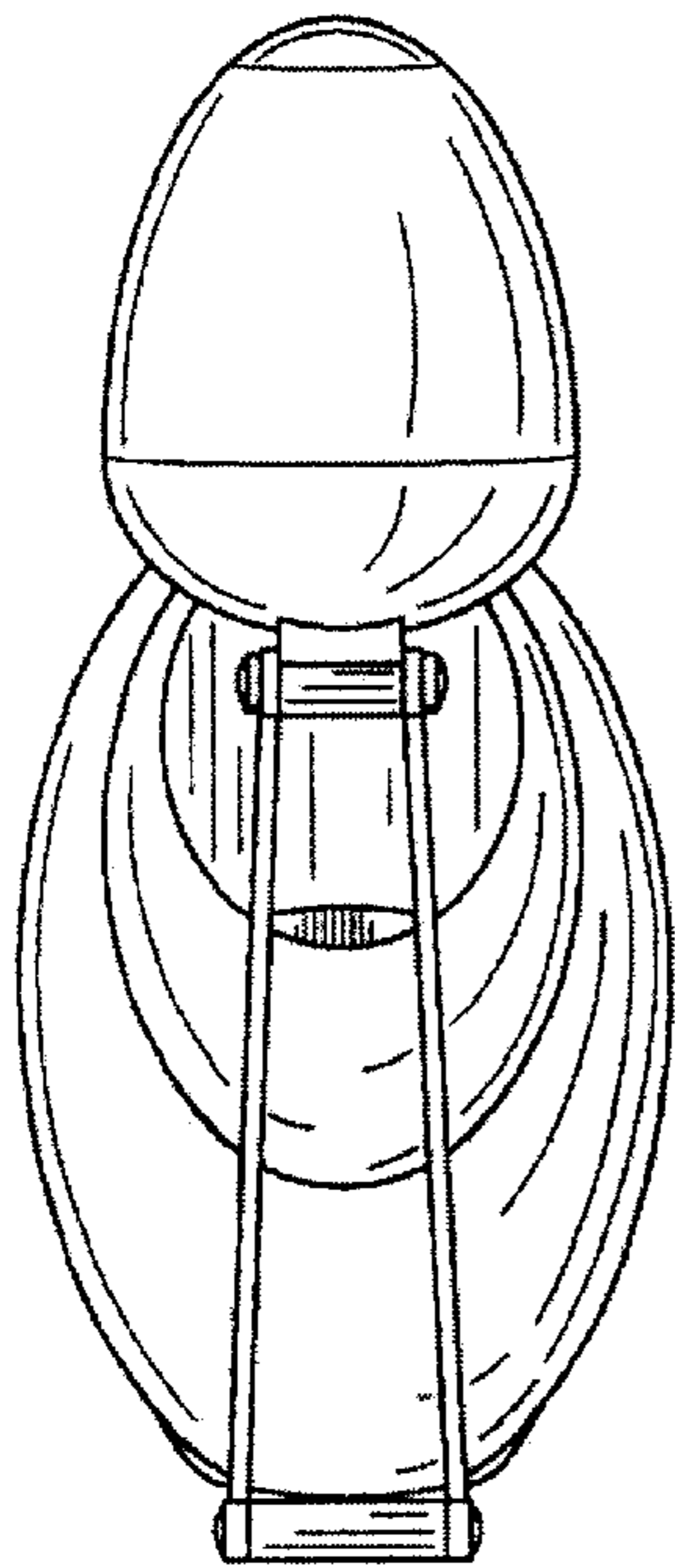
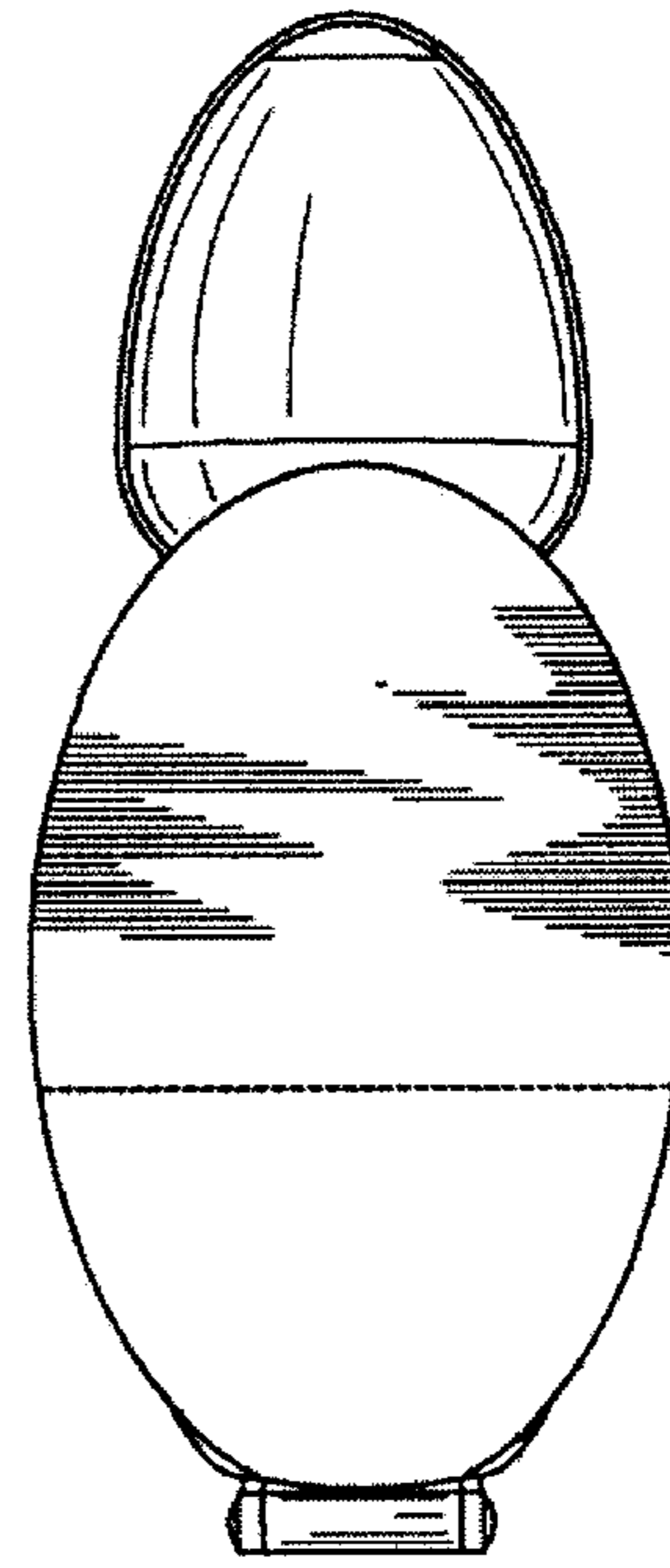


FIG. 5



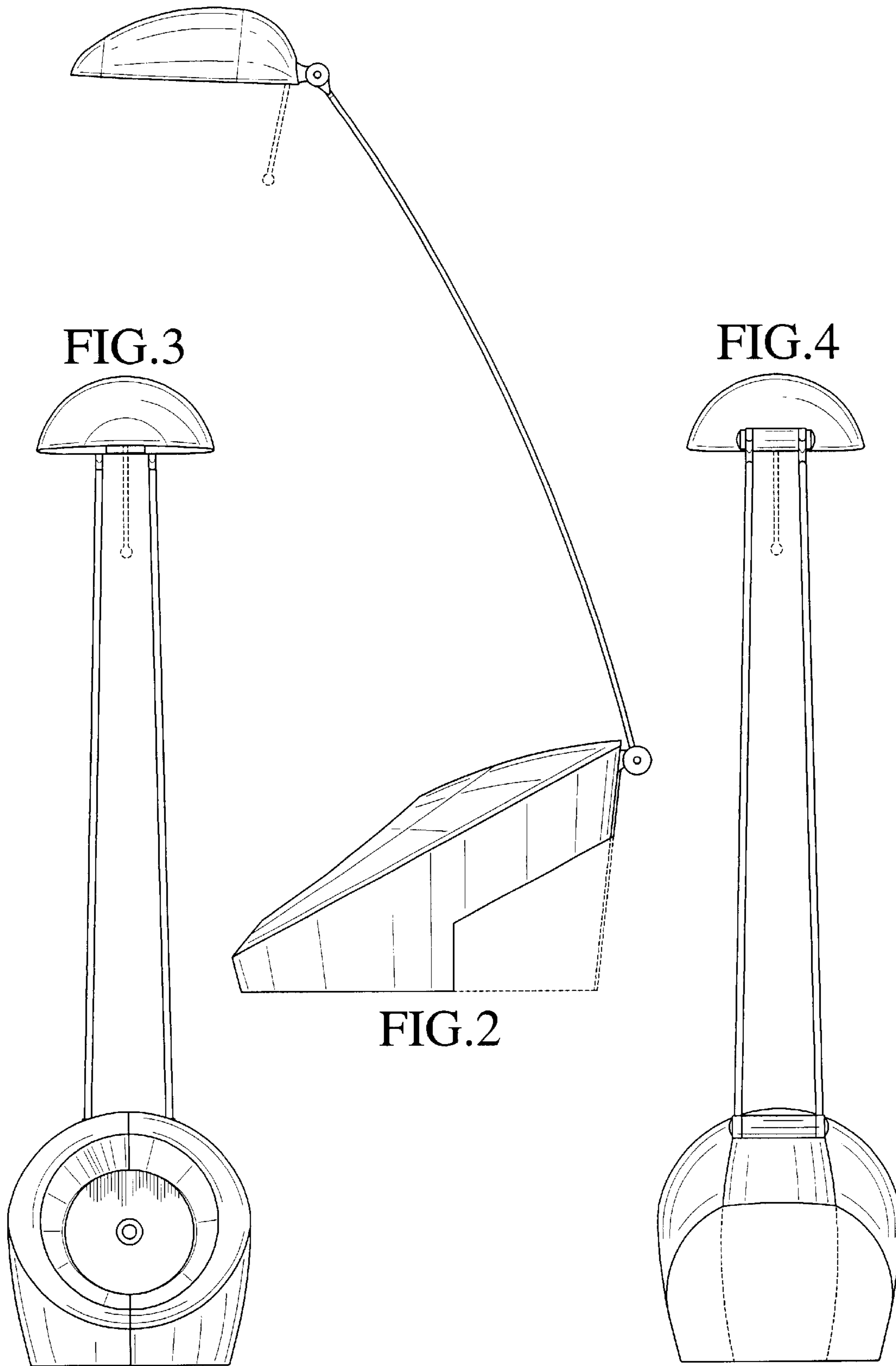


FIG.3

FIG.4

FIG.2