



US00D520662S

(12) **United States Design Patent**  
**Jacquelin**

(10) **Patent No.:** **US D520,662 S**

(45) **Date of Patent:** **\*\* May 9, 2006**

(54) **SET OF COMPONENTS FOR A FLOOR STANDING LAMP**

D473,962 S 4/2003 Jacquelin

(75) Inventor: **Patrick Henri Jacquelin**, London (GB)

*Primary Examiner*—Alan P. Douglas

*Assistant Examiner*—Linda Brooks

(73) Assignee: **The Daylight Company, Ltd**, London (GB)

(74) *Attorney, Agent, or Firm*—Foley & Lardner, LLP

(\*\*) Term: **14 Years**

(57) **CLAIM**

I claim the ornamental design for a set of components for a floor standing lamp, as shown and described.

(21) Appl. No.: **29/197,924**

**DESCRIPTION**

(22) Filed: **Jan. 23, 2004**

**Related U.S. Application Data**

(63) Continuation-in-part of application No. 29/174,143, filed on Jan. 13, 2003.

FIG. 1 is a perspective view of a set of components for a floor standing lamp of my new design, including a lamp stem, a lampshade mount, a tray, a magnifying lens, and a chartholder;

(51) **LOC (8) Cl.** ..... **26-05**

FIG. 2 is a front elevational view thereof;

(52) **U.S. Cl.** ..... **D26/51**

FIG. 3 is a rear elevational view thereof;

(58) **Field of Classification Search** ..... D26/51,

FIG. 4 is a top plan view thereof;

D26/56, 58, 60–66, 93; 362/98, 132, 142,

FIG. 5 is a left side elevational view thereof;

362/144, 269, 277, 278, 279, 281, 282, 285,

FIG. 6 is a bottom plan view thereof;

362/287, 410–419, 427; D28/73; D6/388,

FIG. 7 is an enlarged top plan view of my new design, showing the tray of FIG. 1 separately for clarity;

D6/418, 466, 467, 469; D16/135

FIG. 8 is a bottom plan view of FIG. 7;

See application file for complete search history.

FIG. 9 is an enlarged rear perspective view of my new design, showing the tray and portions of the lamp stem separately for clarity; and,

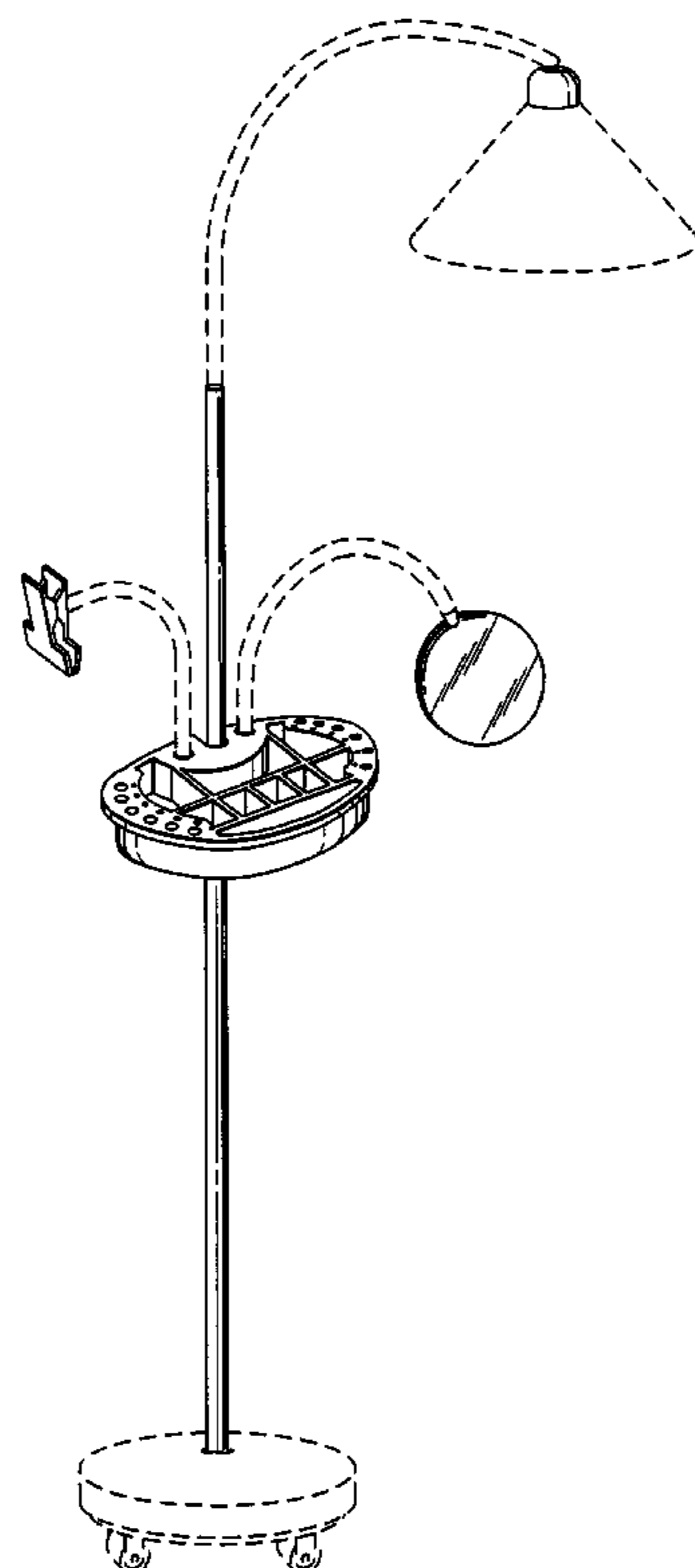
(56) **References Cited**

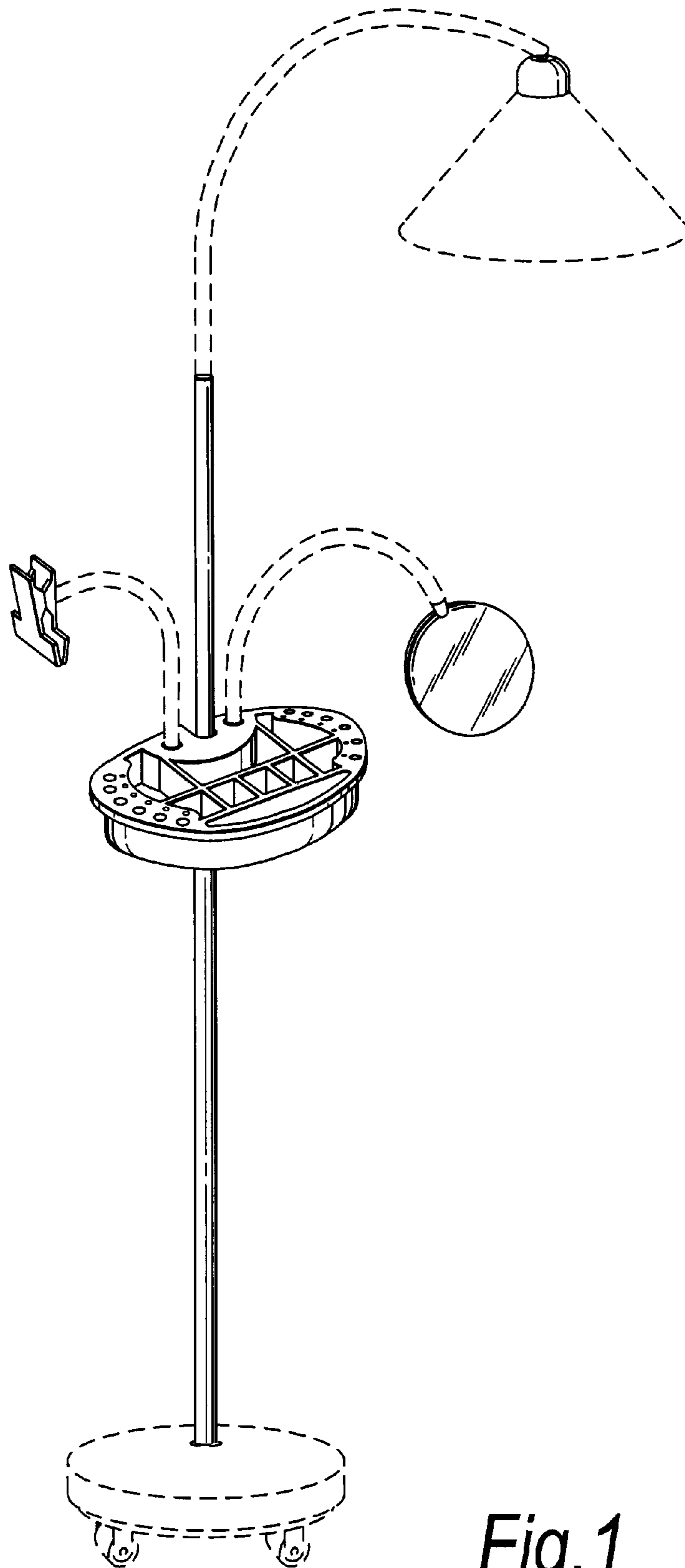
FIG. 10 is a further front elevational view of the set of components of the floor standing lamp of FIG. 1, showing the lampshade mount, the magnifying lens, and the chartholder in an alternative position.

**U.S. PATENT DOCUMENTS**

- D396,123 S 7/1998 Swanson
- D434,872 S 12/2000 Chen
- D454,969 S 3/2002 Jacquelin

**1 Claim, 9 Drawing Sheets**





*Fig. 1*

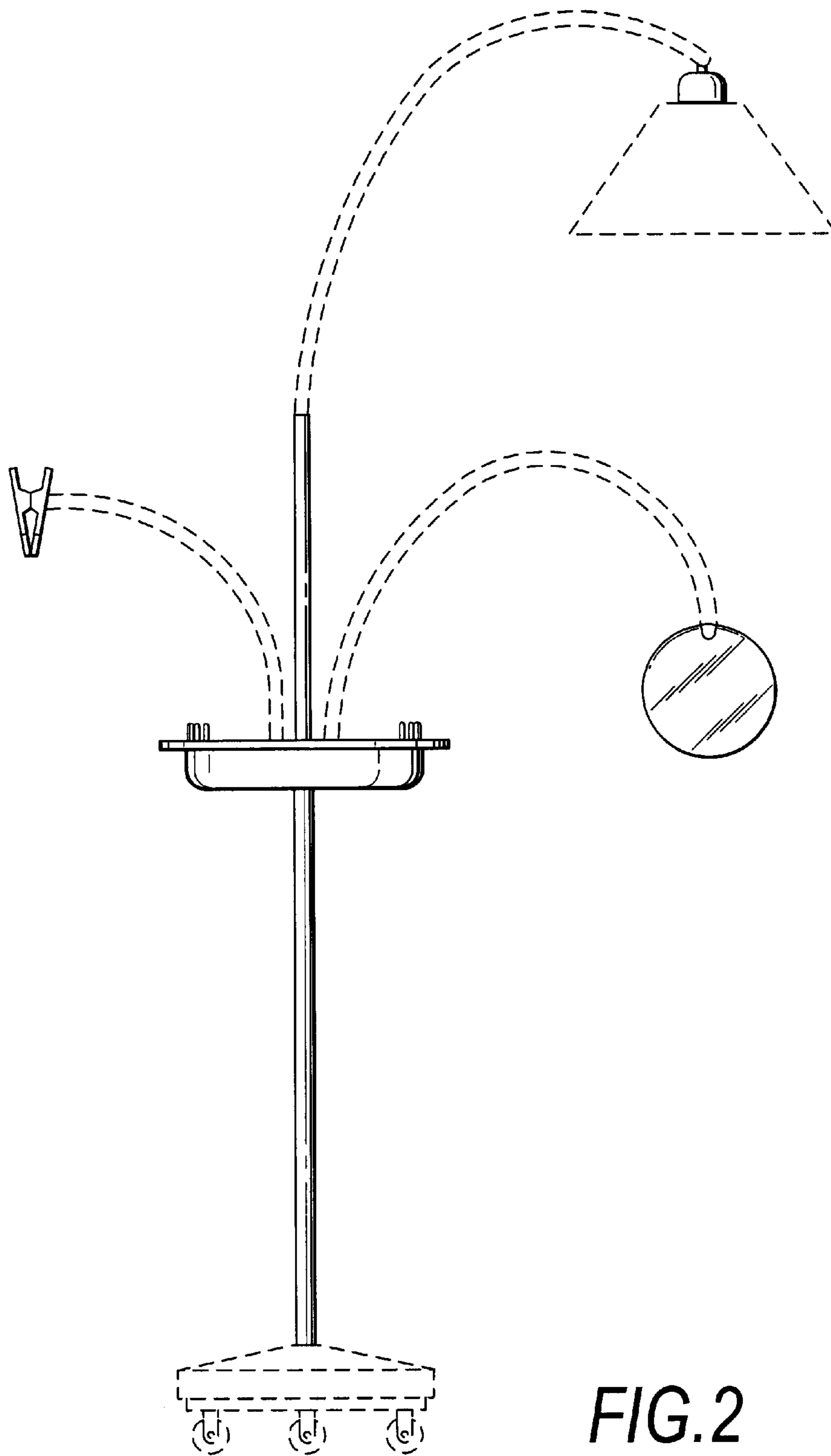
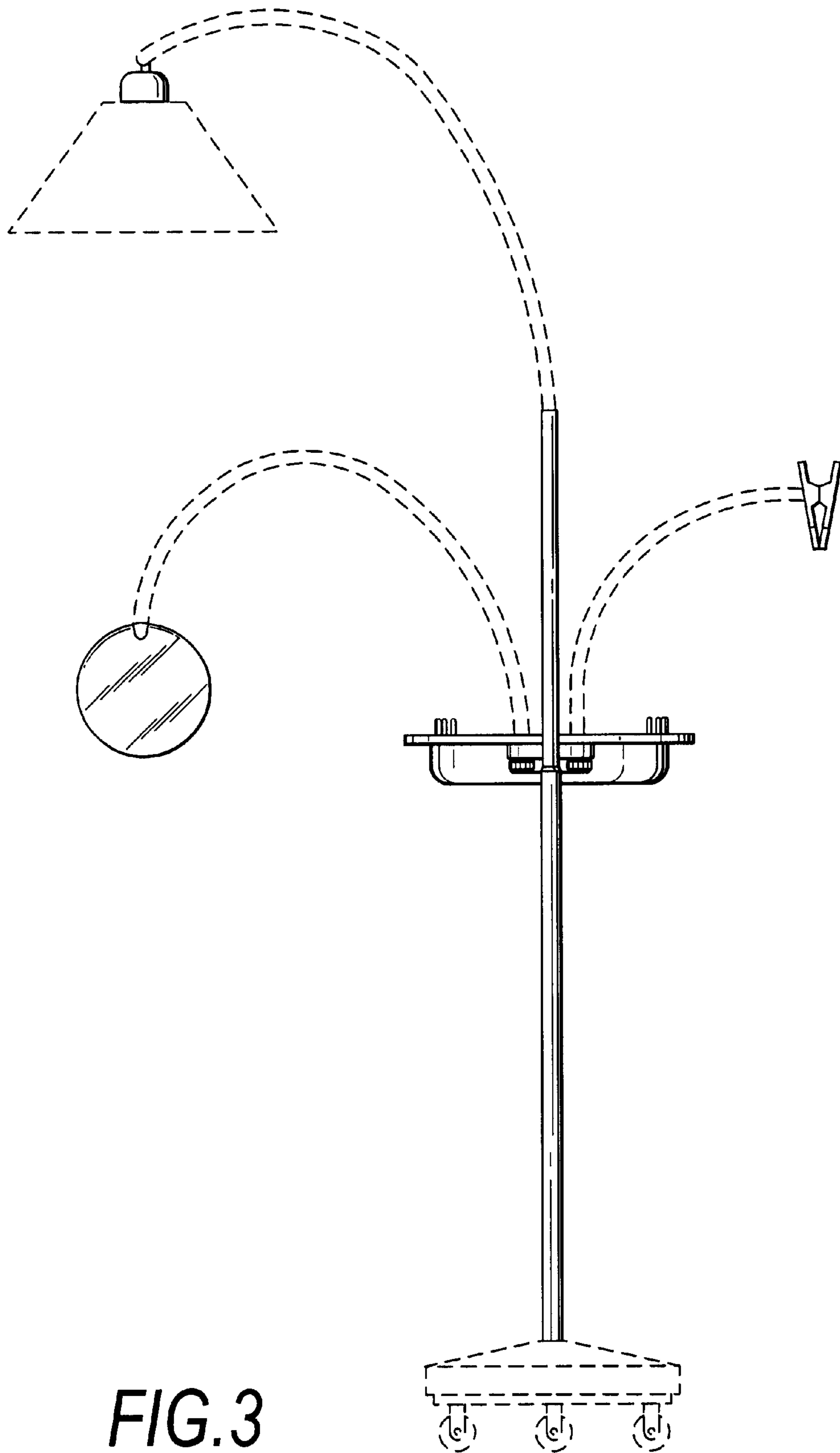


FIG.2



**FIG.3**

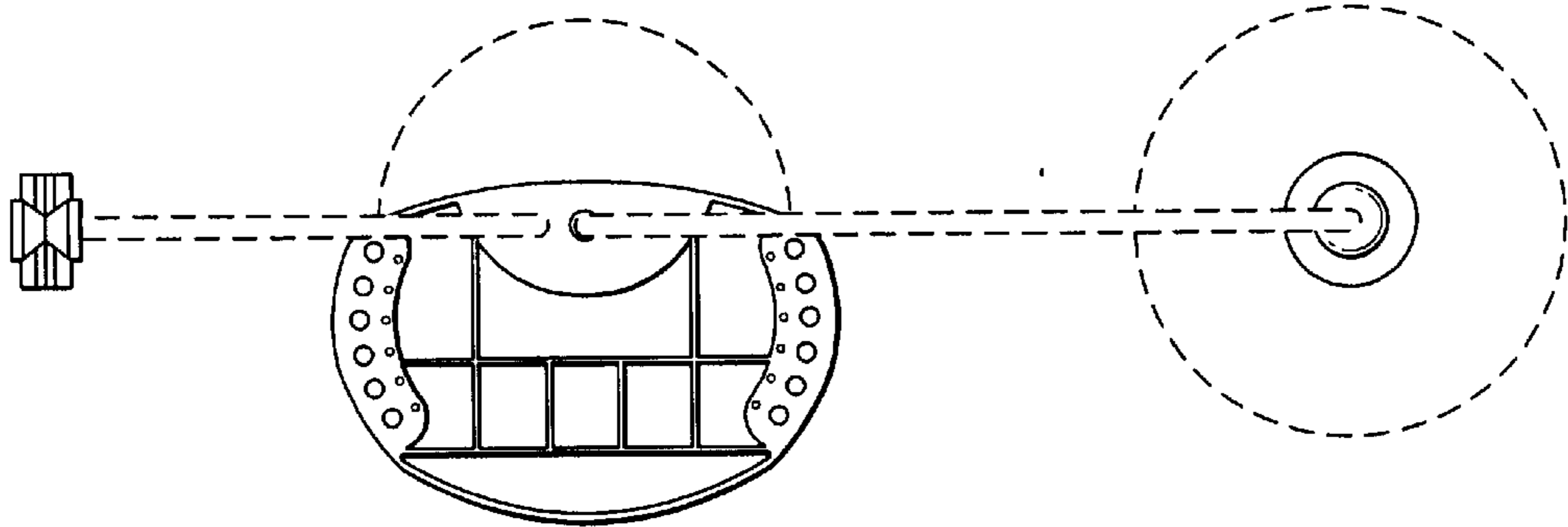


FIG. 4

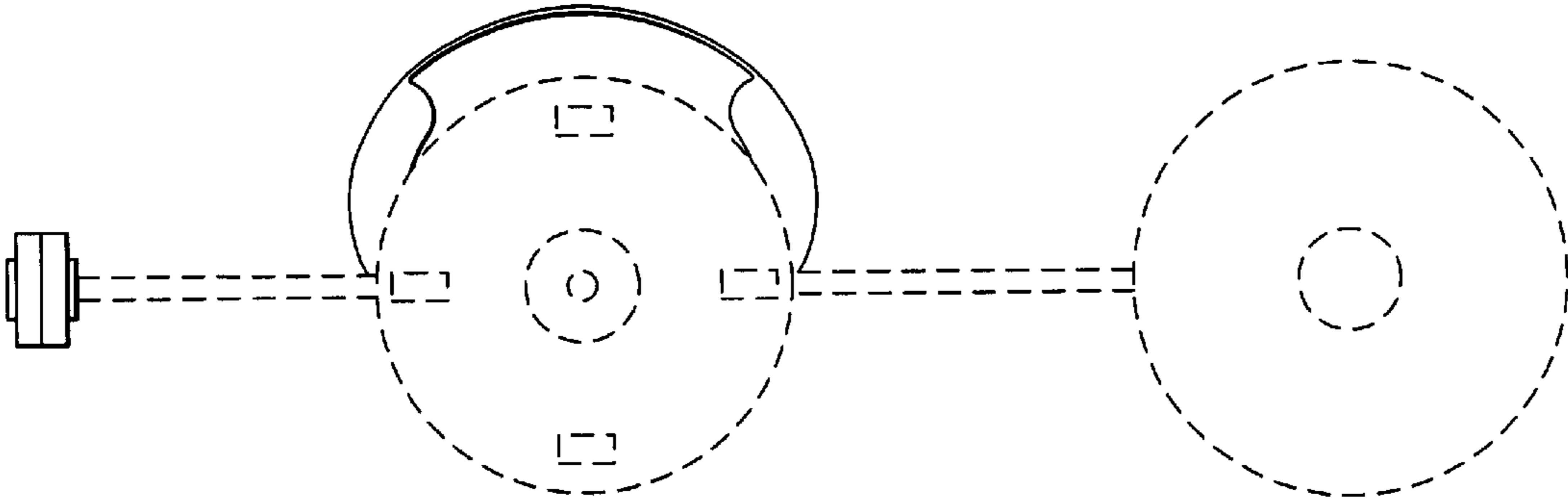
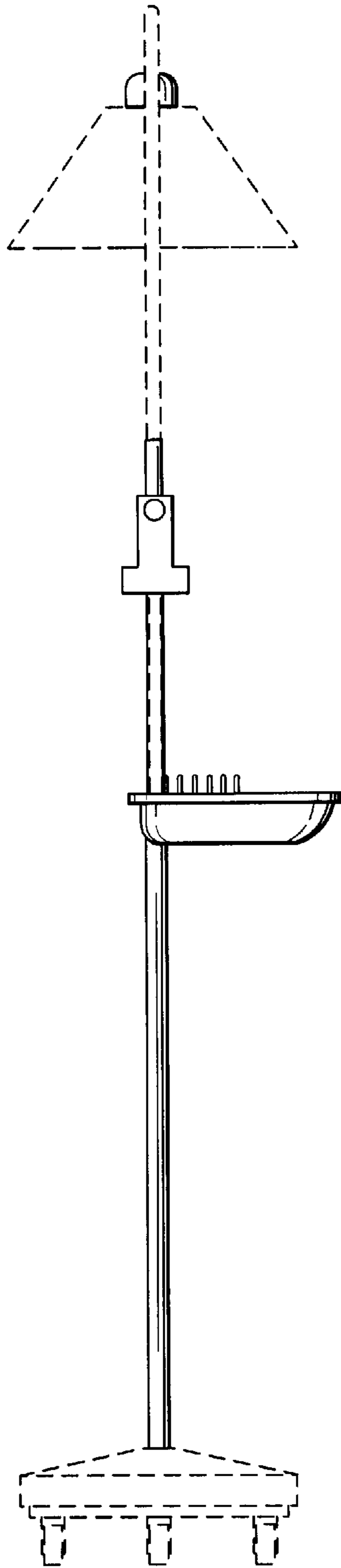
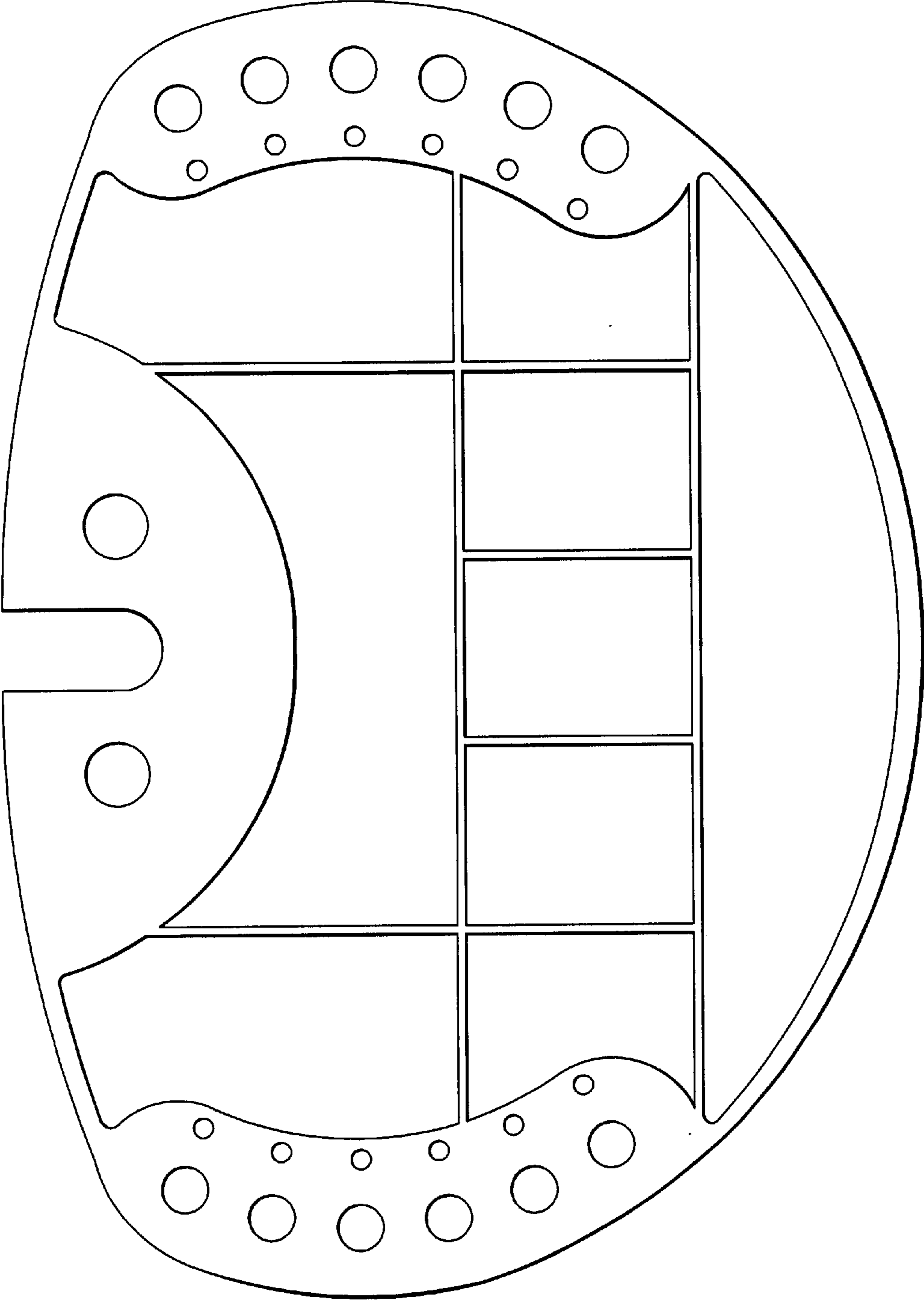


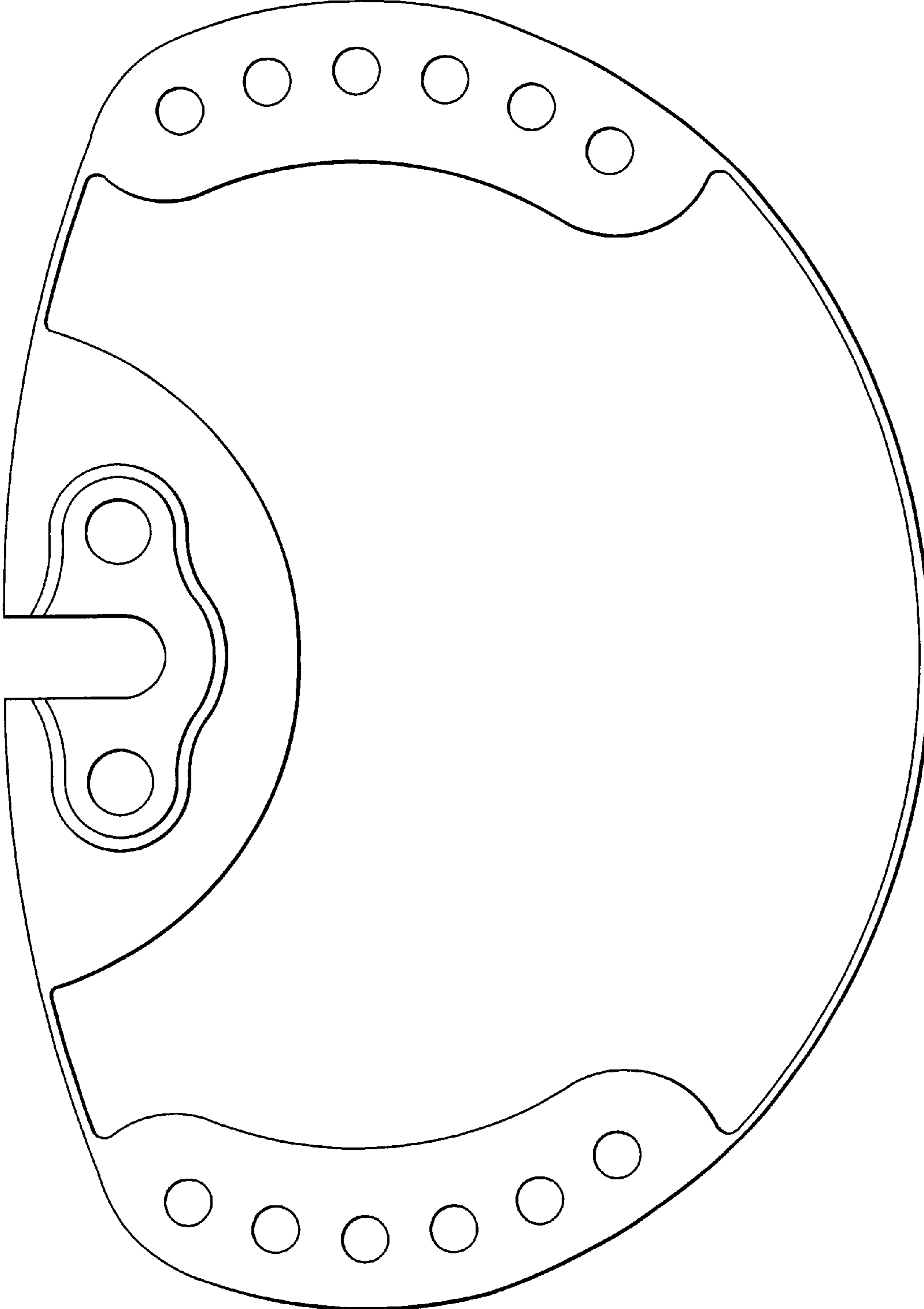
FIG. 6



**FIG. 5**



**FIG.7**



**FIG.8**



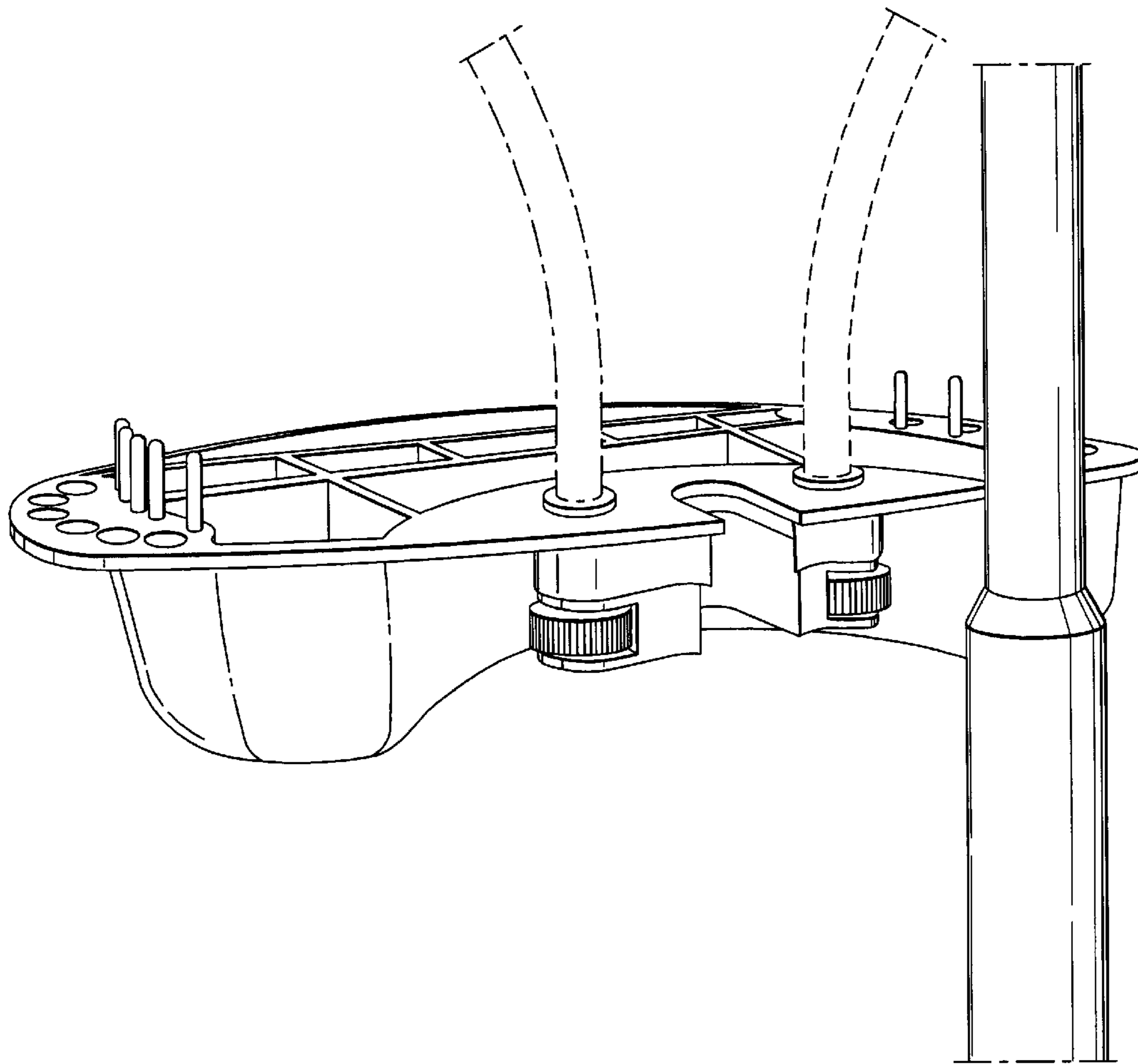
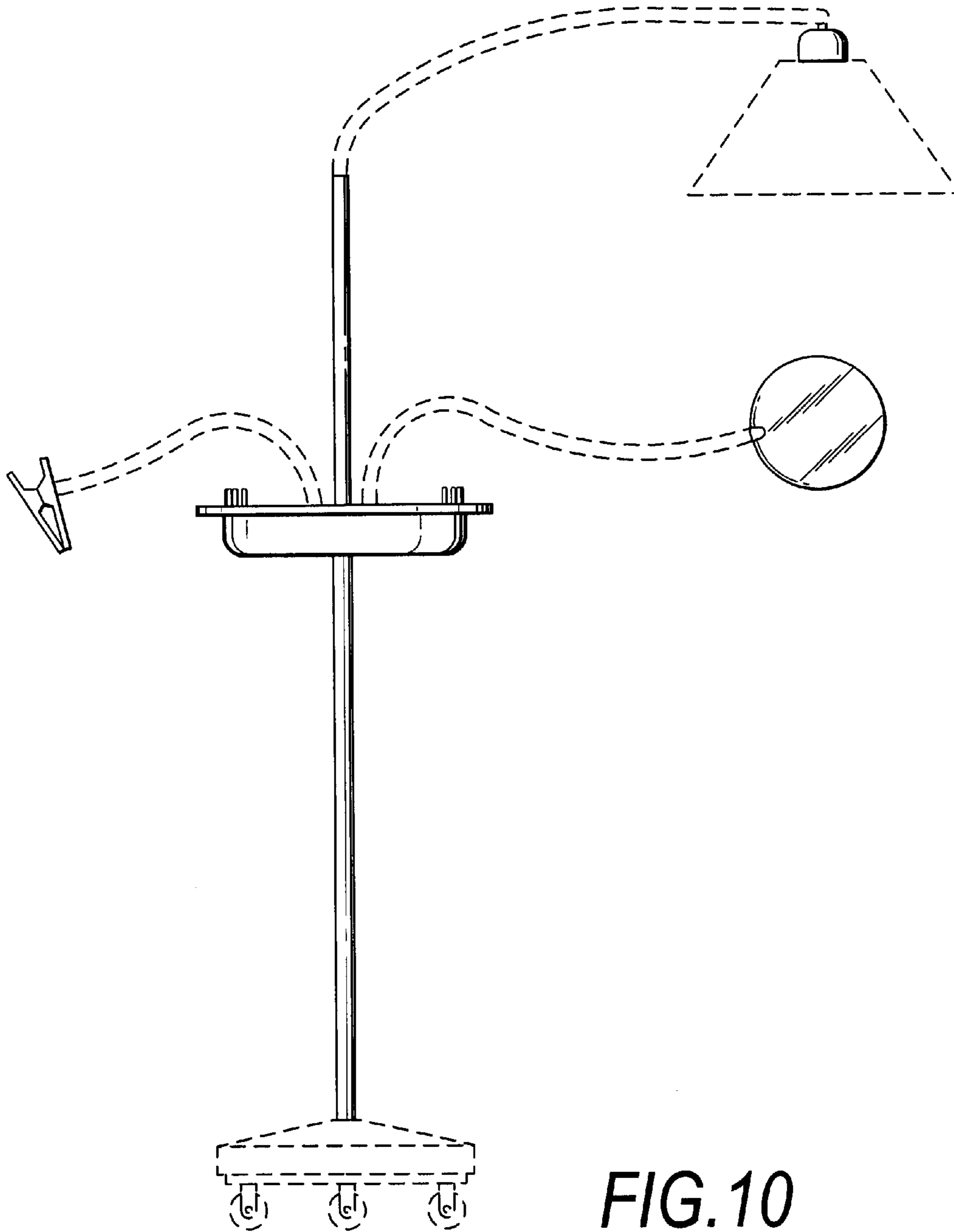


FIG.9



**FIG. 10**