



US00D520656S

(12) **United States Design Patent**
Shiu

(10) **Patent No.:** **US D520,656 S**

(45) **Date of Patent:** **** May 9, 2006**

(54) **PORTABLE LIGHT SOURCE**

(75) Inventor: **Stephanie Wai Man Shiu**, Kowloon (HK)

(73) Assignee: **Gold Coral International Limited**, Kowloon (HK)

(**) Term: **14 Years**

(21) Appl. No.: **29/223,570**

(22) Filed: **Feb. 16, 2005**

(30) **Foreign Application Priority Data**

Aug. 27, 2004 (HK) 0411903.2M001-M003
Oct. 29, 2004 (HK) 0412475.4

(51) **LOC (8) Cl.** **26-06**

(52) **U.S. Cl.** **D26/28**

(58) **Field of Classification Search** D26/28-36;
362/459-468, 475-478, 485-487
See application file for complete search history.

(56) **References Cited**

U.S. PATENT DOCUMENTS

D445,931 S * 7/2001 Shiu D26/39
D482,473 S * 11/2003 Shiu D26/39
D485,384 S * 1/2004 Poon D26/39
D492,052 S * 6/2004 Schnell D26/39
D503,817 S * 4/2005 Shiu D26/39

* cited by examiner

Primary Examiner—Marcus A. Jackson
(74) *Attorney, Agent, or Firm*—Mitchell Silberberg & Knupp LLP

(57) **CLAIM**

The ornamental design for a portable light source, as shown and described.

DESCRIPTION

FIG. 1 is a front elevational view of a portable light source according to a first embodiment of the present invention.

FIG. 2 is a rear elevational view of the portable light source according to the first embodiment of the present invention.

FIG. 3 is a right side elevational view of the portable light source according to the first embodiment of the present invention, with the left side elevational view being a mirror image thereof.

FIG. 4 is a bottom plan view of the portable light source according to the first embodiment of the present invention.

FIG. 5 is a top plan view of the portable light source according to the first embodiment of the present invention.

FIG. 6 is a front elevational view of a portable light source according to a second embodiment of the present invention.

FIG. 7 is a rear elevational view of the portable light source according to the second embodiment of the present invention.

FIG. 8 is a right side elevational view of the portable light source according to the second embodiment of the present invention, with the left side elevational view being a mirror image thereof.

FIG. 9 is a bottom plan view of the portable light source according to the second embodiment of the present invention; and,

FIG. 10 is a top plan view of the portable light source according to the second embodiment of the present invention.

A head strap is shown in broken lines in FIGS. 5 and 10 for illustrative purposes only and forms no part of the claimed design.

1 Claim, 6 Drawing Sheets

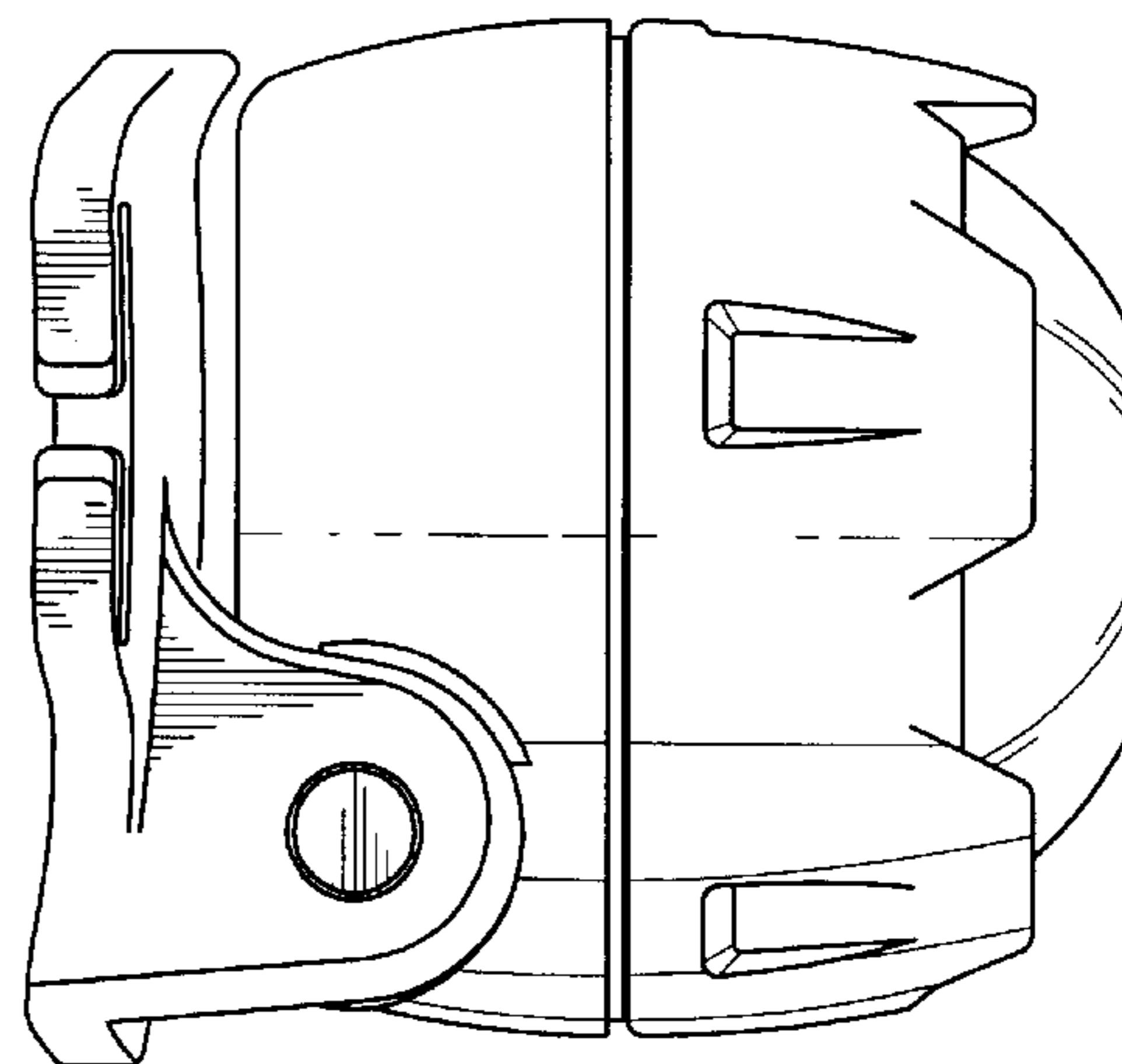
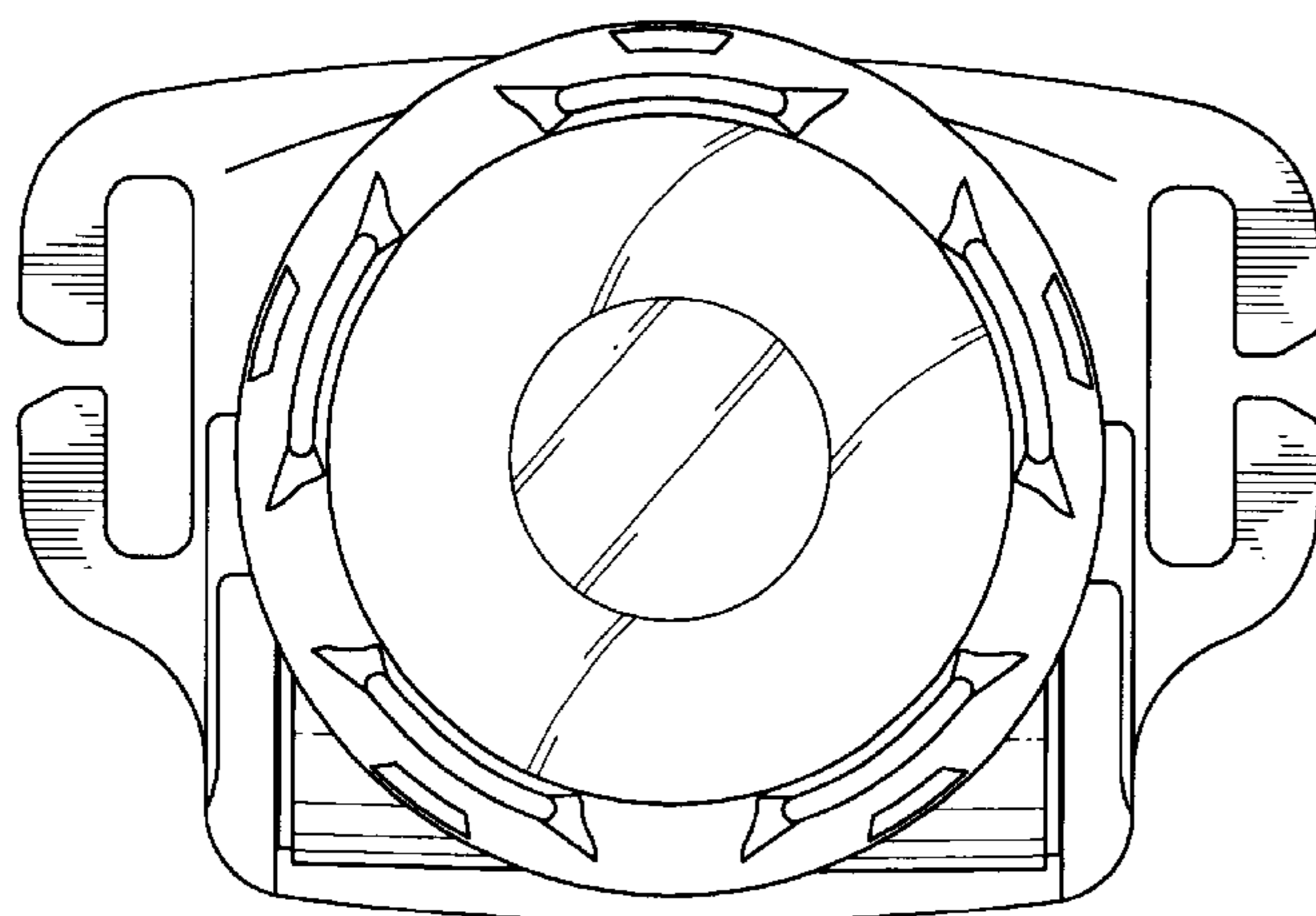


FIG. 1

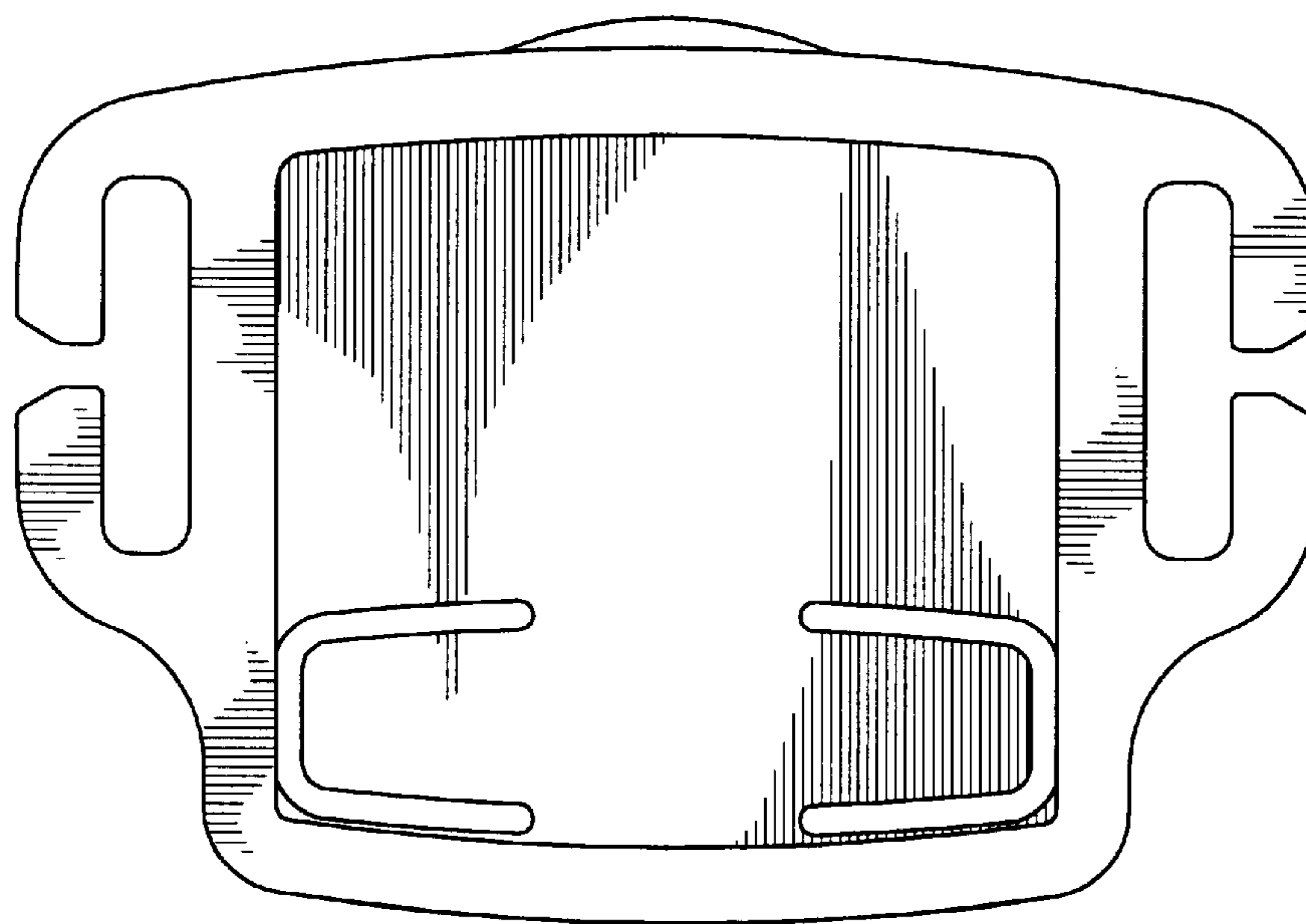
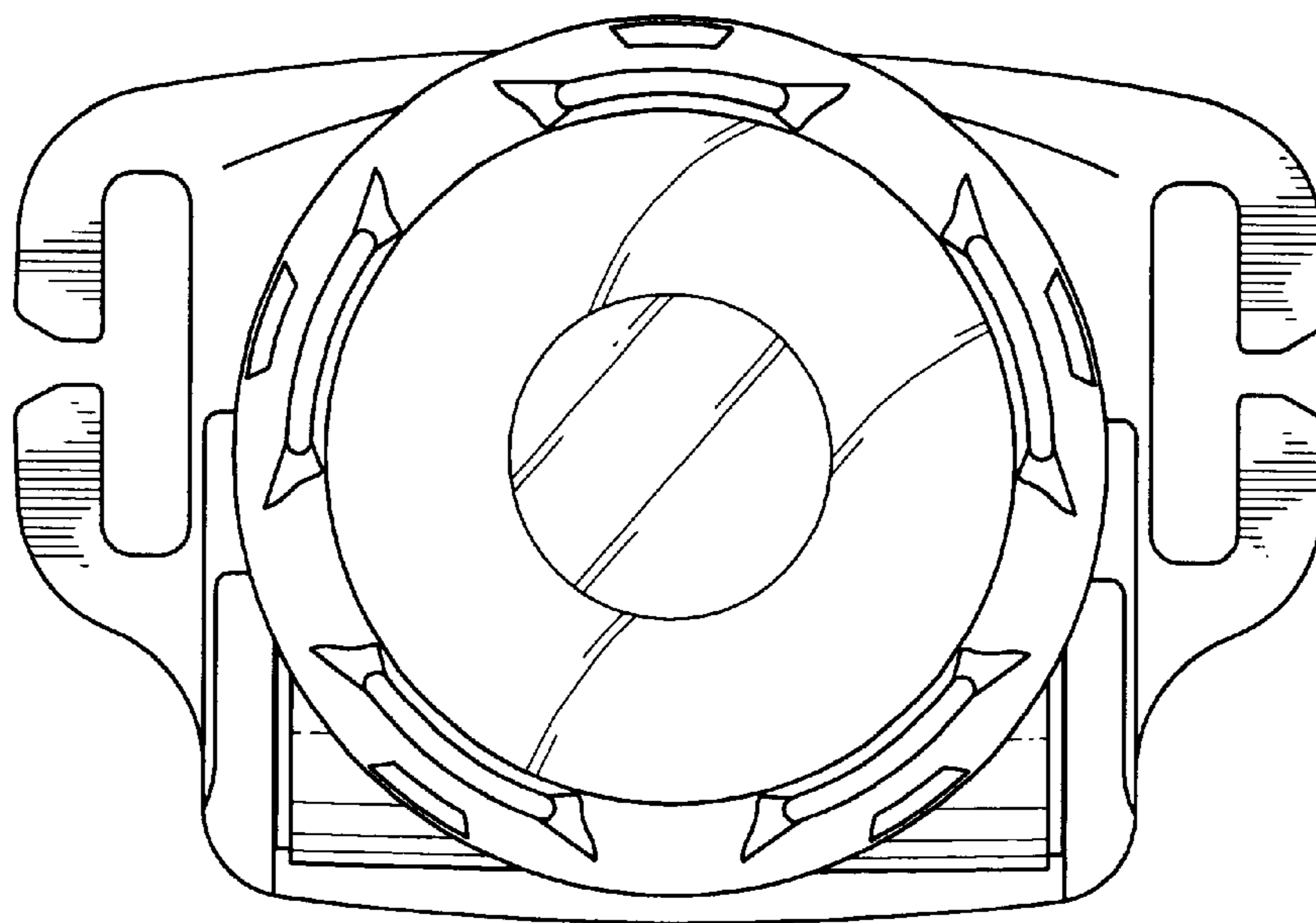


FIG. 2

FIG. 3

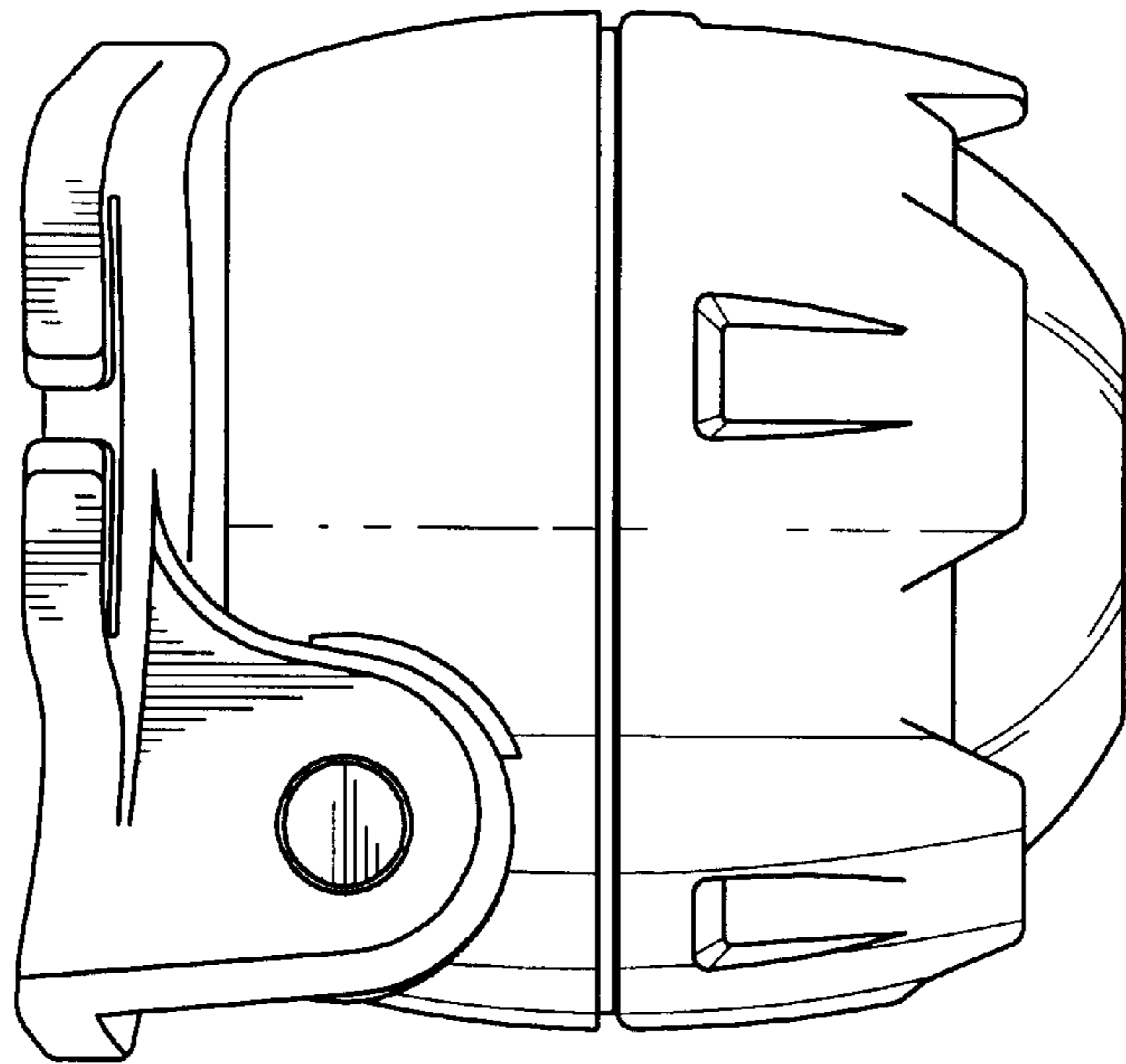
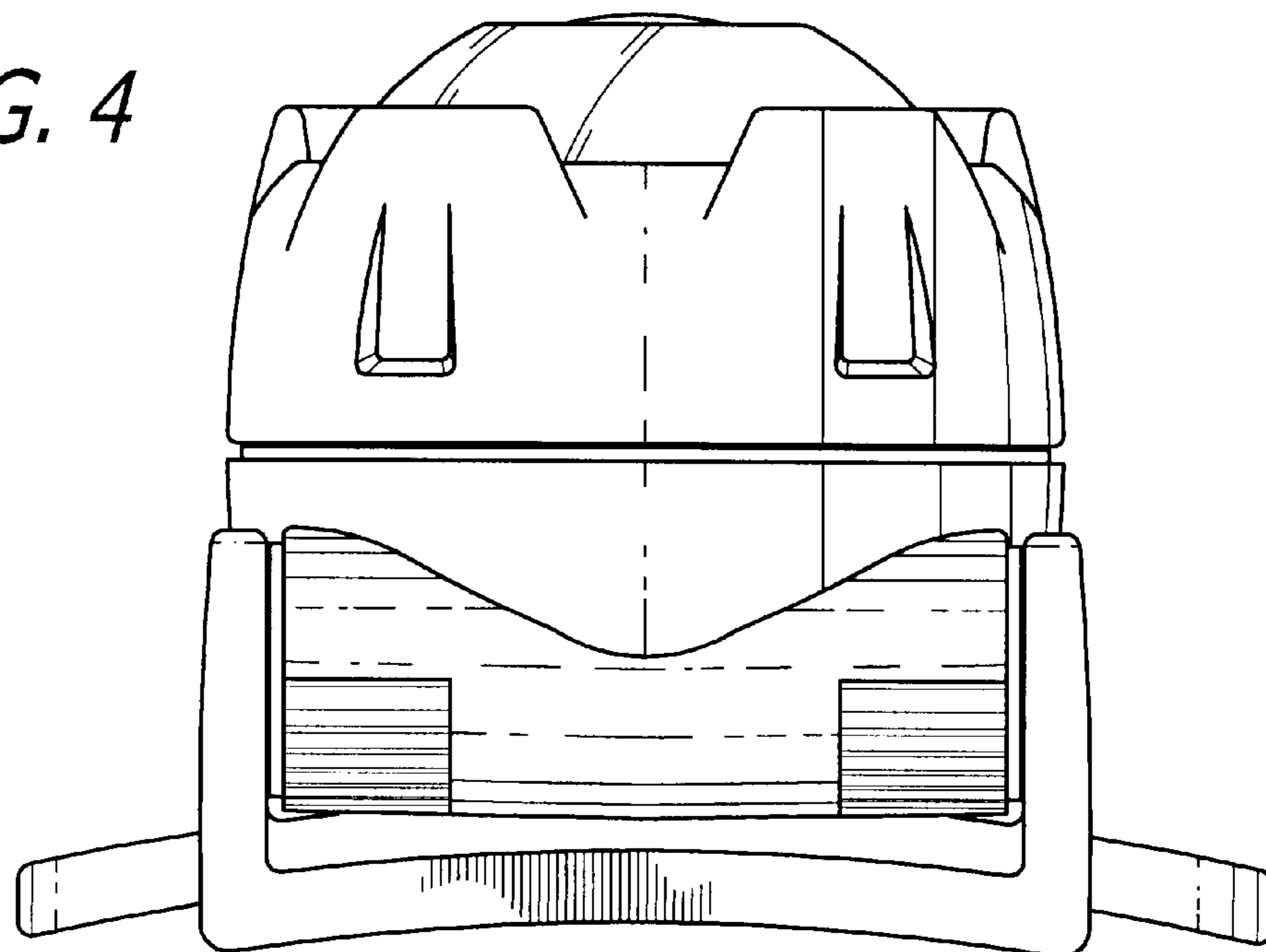


FIG. 4



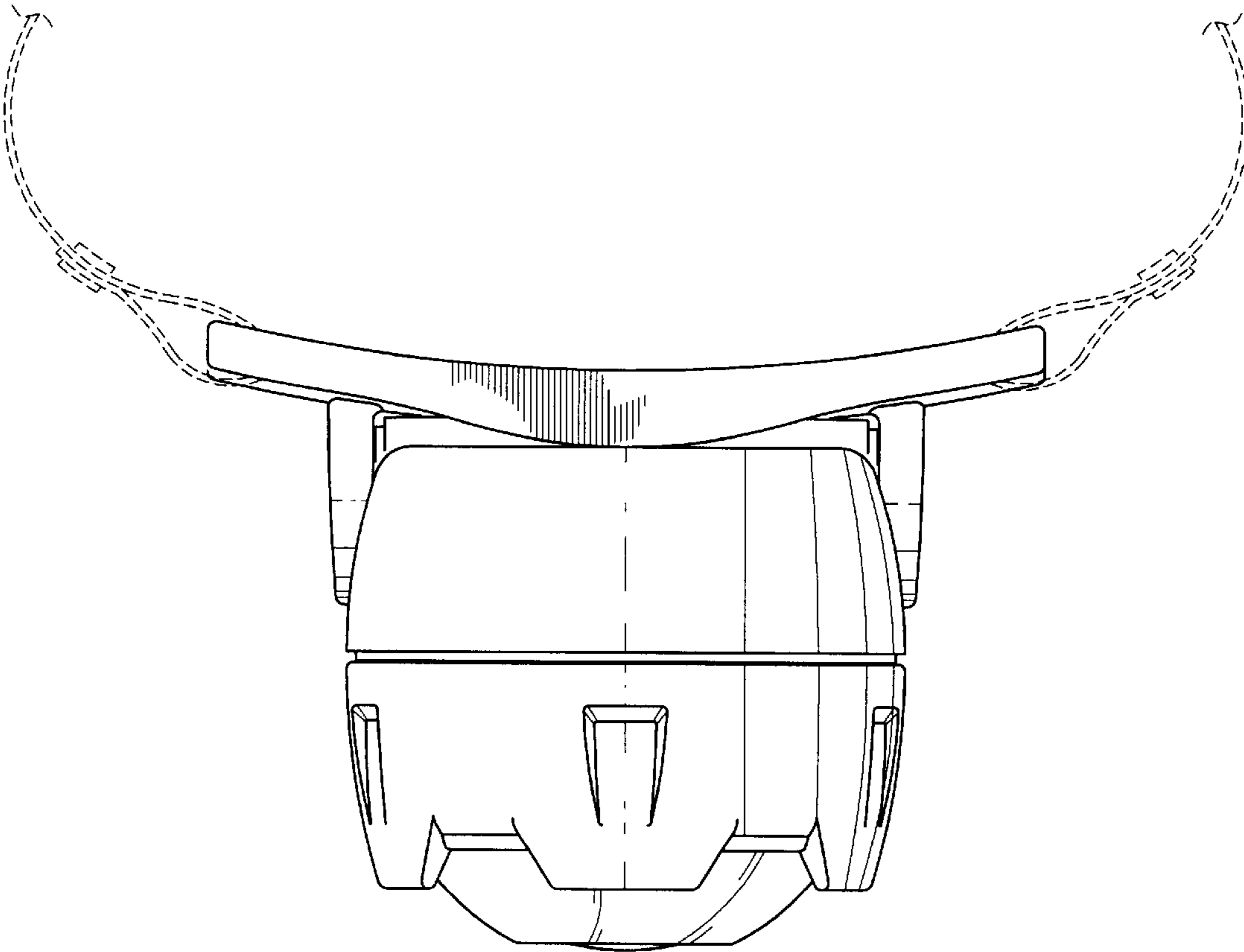


FIG. 5

FIG. 6

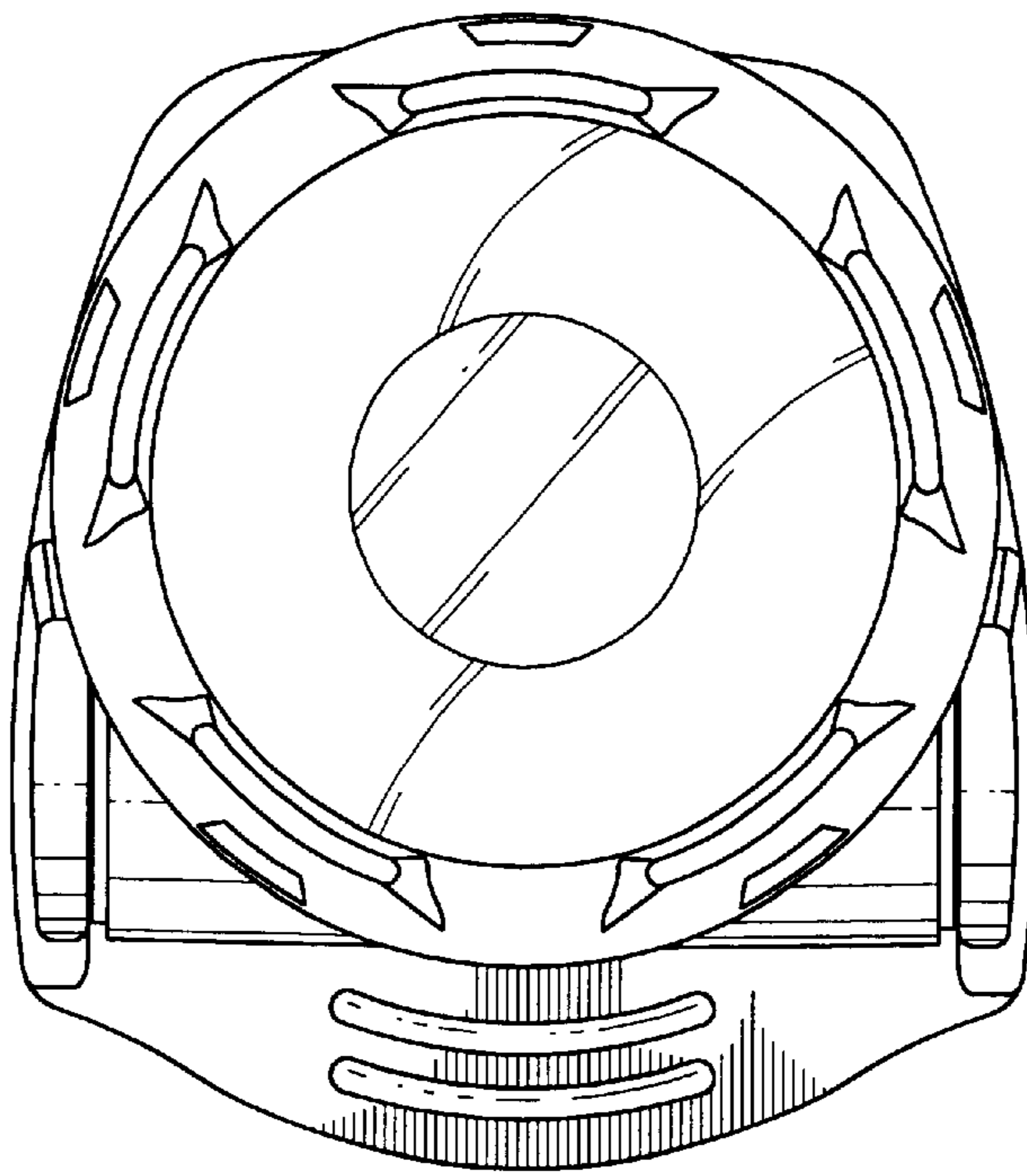


FIG. 7

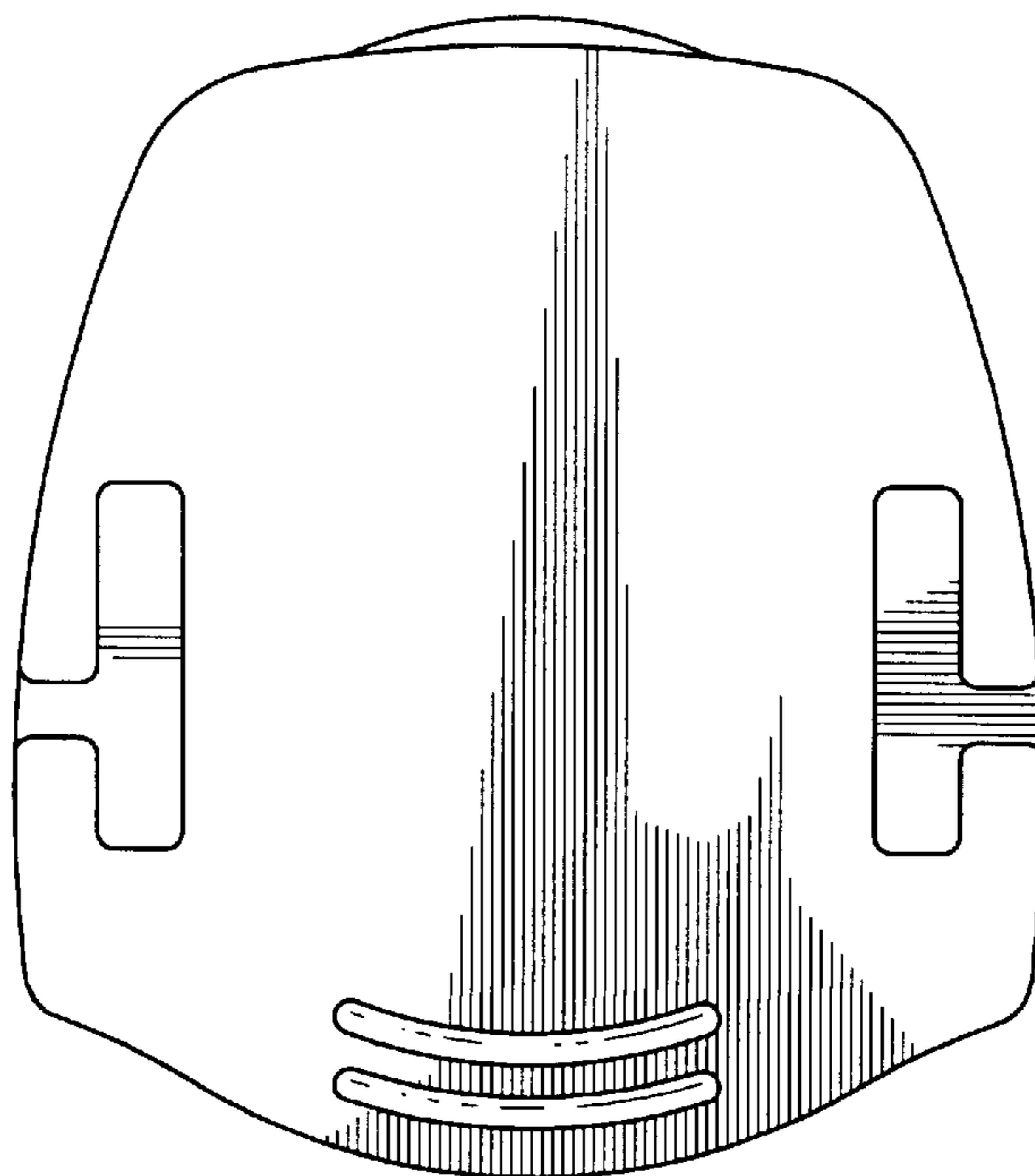


FIG. 8

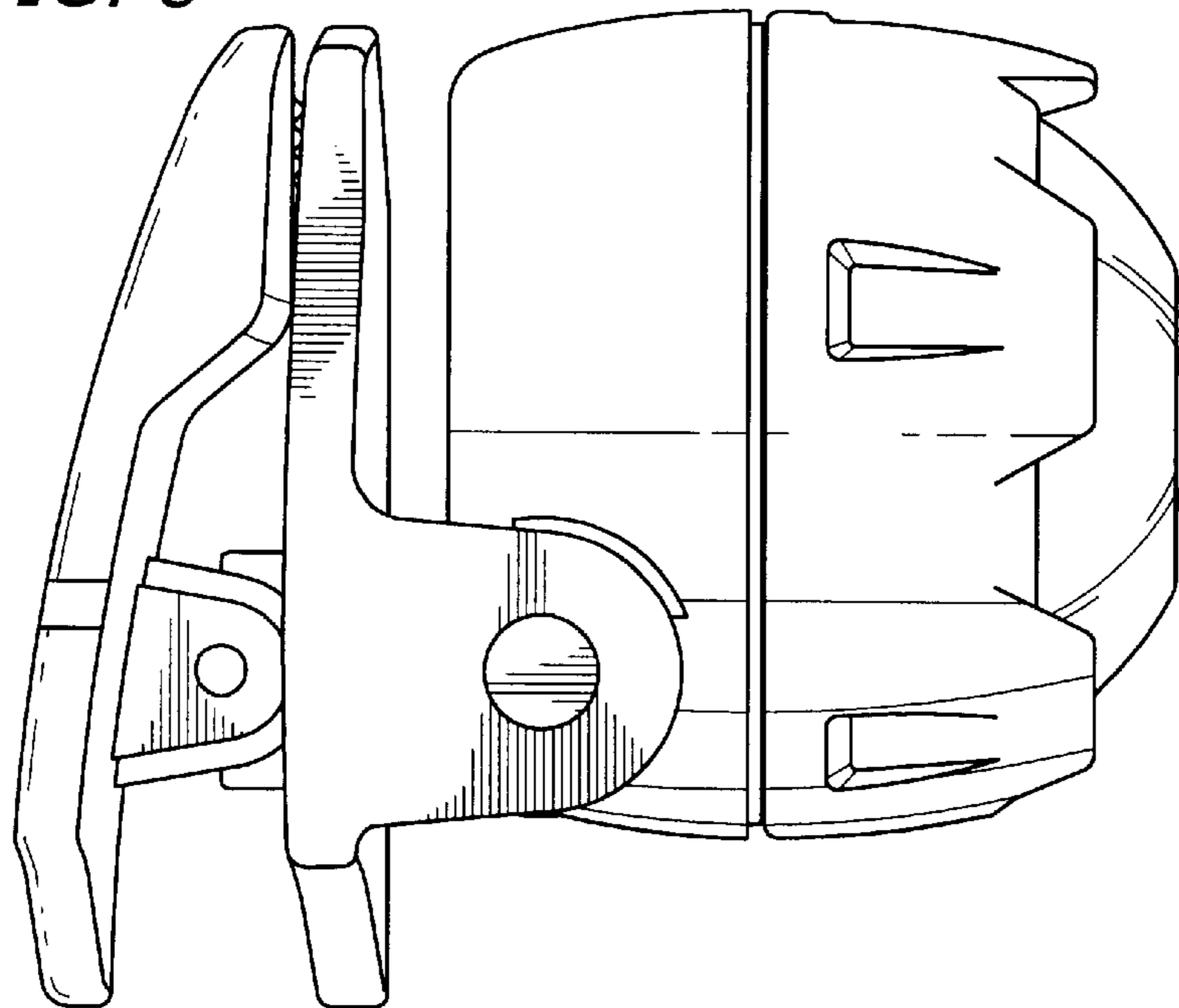
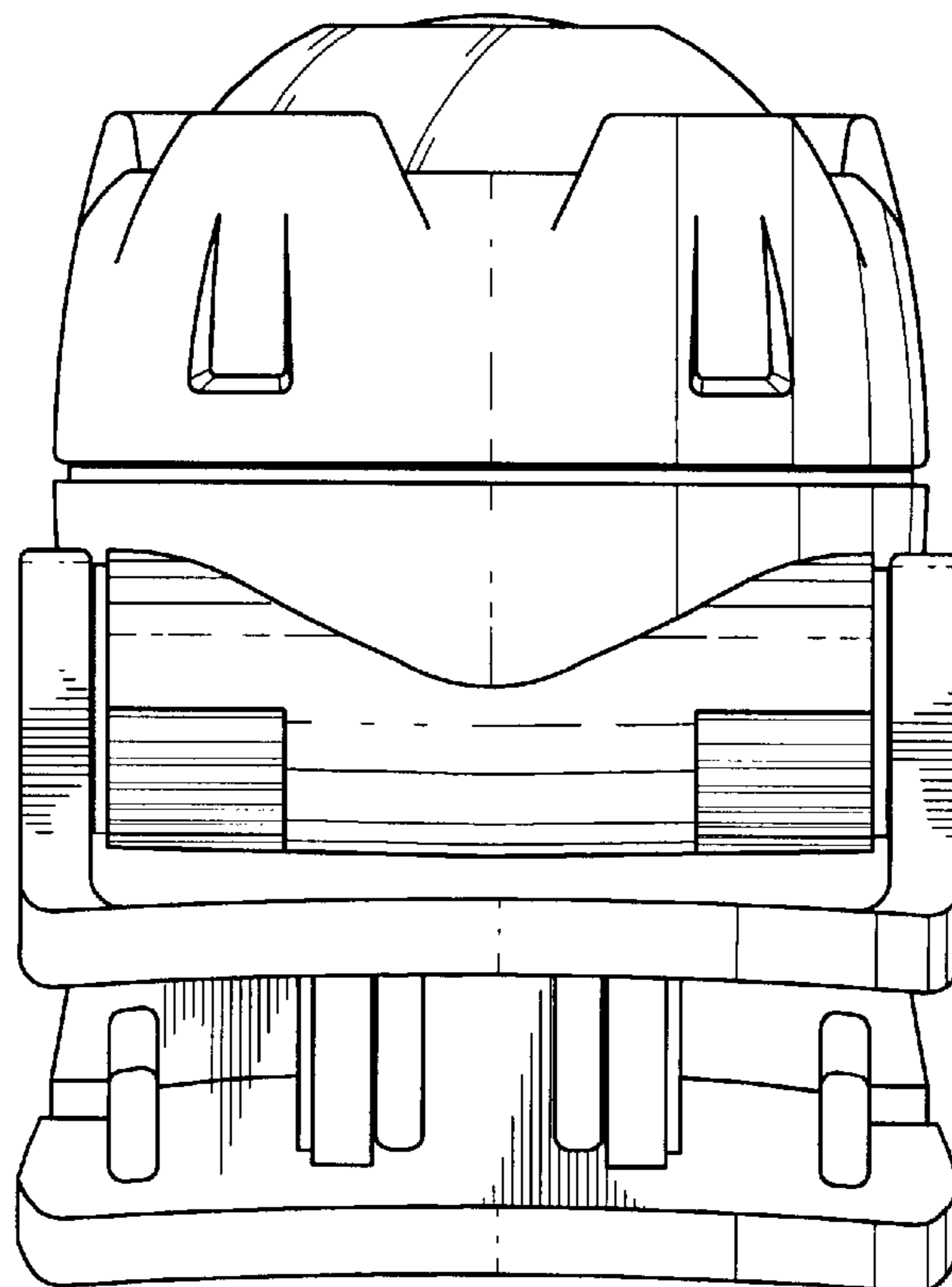


FIG. 9



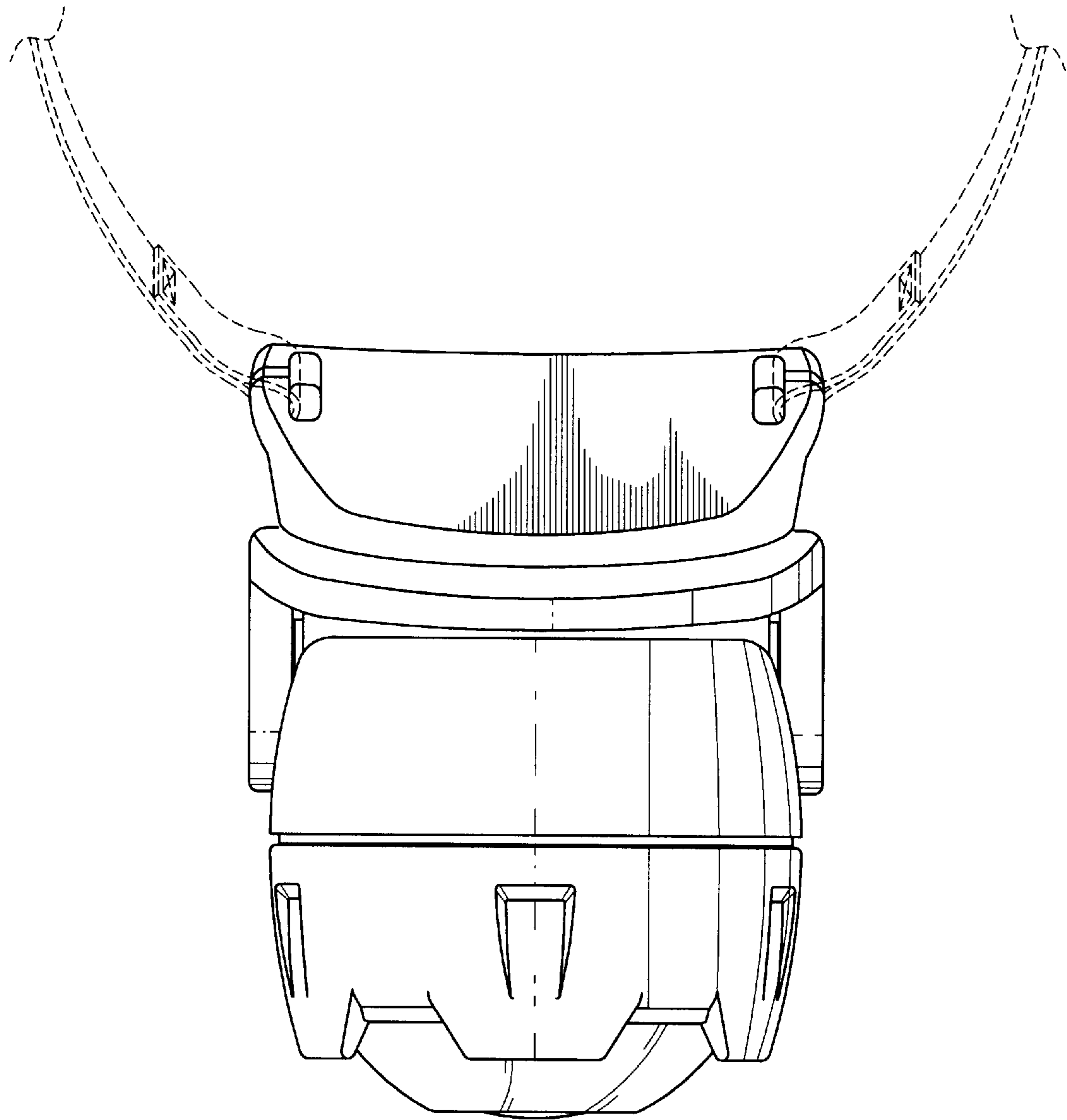


FIG. 10