



US00D520647S

(12) **United States Design Patent**
Elmore et al.

(10) **Patent No.:** **US D520,647 S**

(45) **Date of Patent:** **** May 9, 2006**

(54) **LIGHTED LANDSCAPE EDGING DEVICE**

D485,388 S * 1/2004 Weiser et al. D26/67

(76) Inventors: **Mark D. Elmore**, P.O. Box 518,
Winnebago, MN (US) 56098; **Bunny J. Elmore**, P.O. Box 518, Winnebago, MN
(US) 56098

* cited by examiner

Primary Examiner—Doris Clark
(74) *Attorney, Agent, or Firm*—Crossley Patent Law; Mark
A. Crossley

(**) Term: **14 Years**

(57) **CLAIM**

(21) Appl. No.: **29/220,154**

The ornamental design for a lighted landscape edging device, as shown and described.

(22) Filed: **Dec. 28, 2004**

DESCRIPTION

(51) **LOC (8) Cl.** **25-01**

(52) **U.S. Cl.** **D25/119; D25/164**

(58) **Field of Classification Search** D25/119,
D25/164; D26/67, 68, 70; 47/33; 362/608,
362/563, 610, 564, 805

See application file for complete search history.

FIG. 1 is a front elevation view a lighted landscape edging device showing our new design;
FIG. 2 is a rear elevation view of our invention;
FIG. 3; is a left side elevation view of FIG. 1
FIG. 4 is a right side elevation view of FIG. 1;
FIG. 5 is a top plan of our invention;
FIG. 6 is a bottom plan view; and,
FIG. 7 is a perspective view of our invention showing our new design.

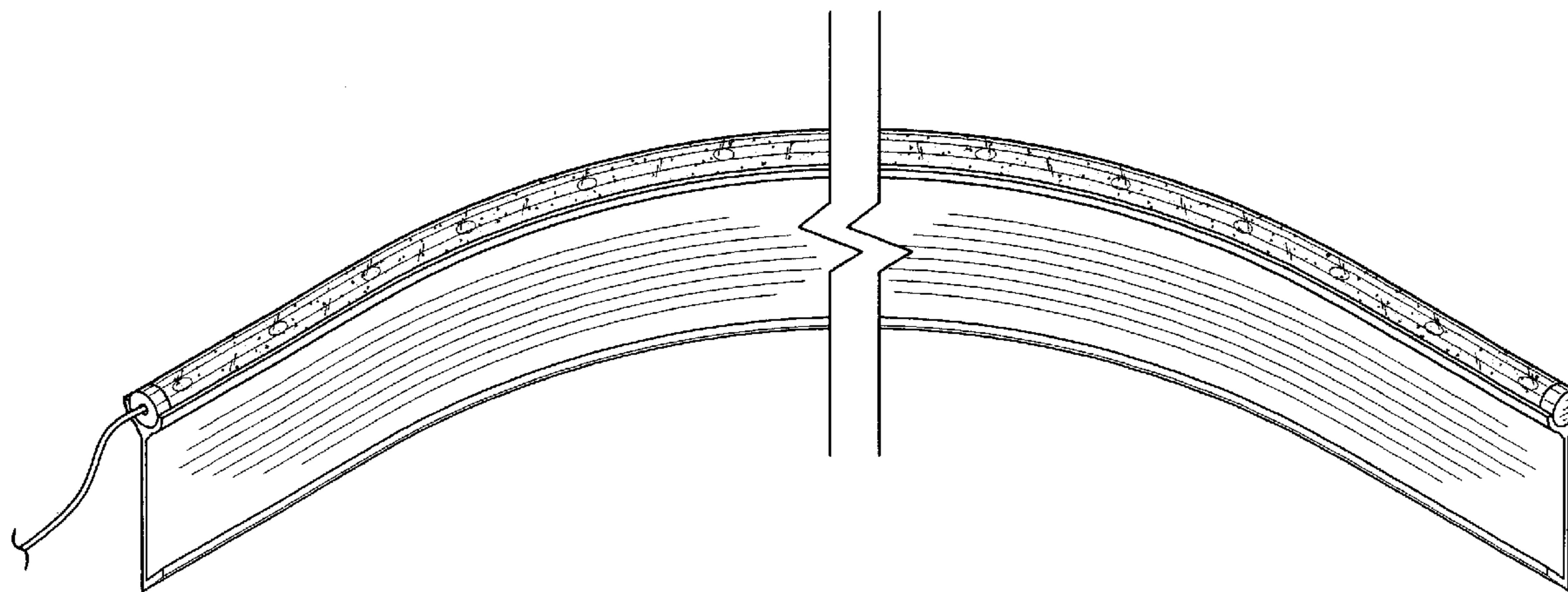
The lighted landscape edging device has been broken in the center and the cord member has been broken on the end to disclose indeterminate length.

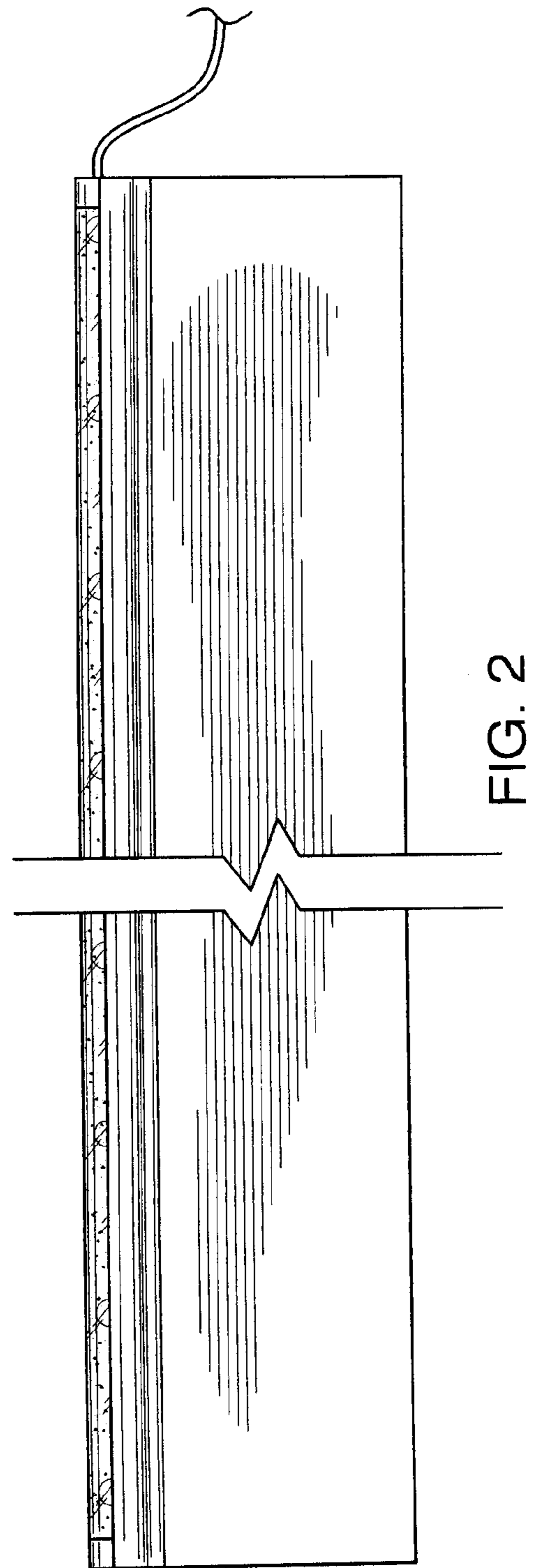
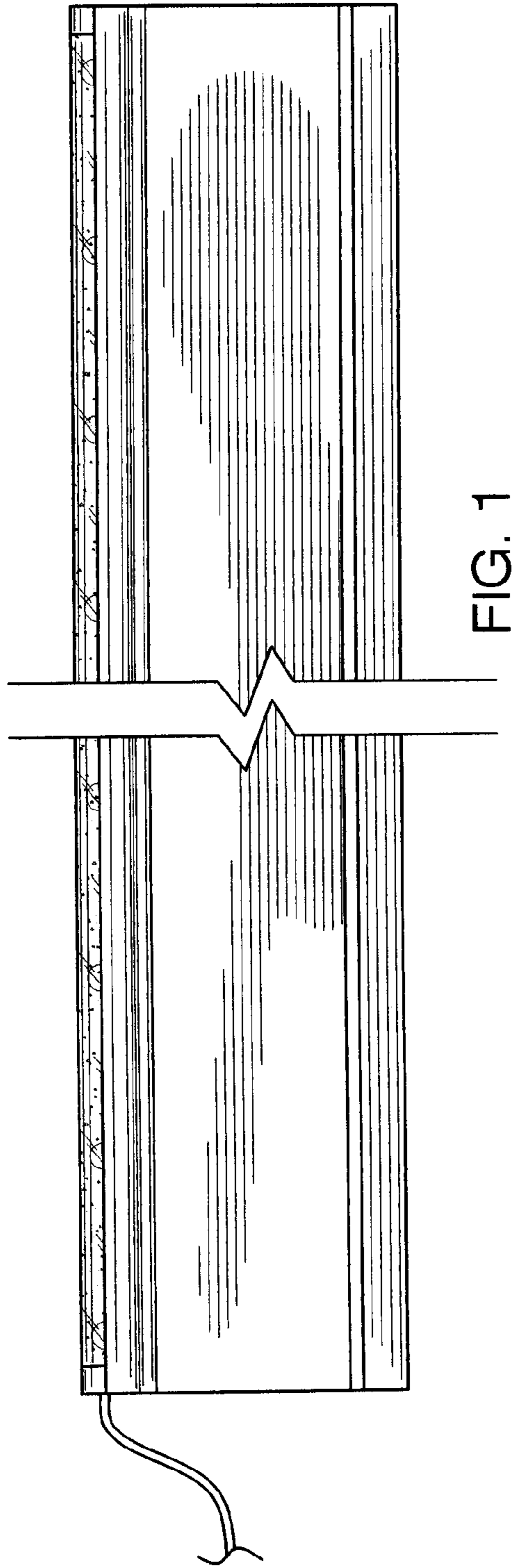
(56) **References Cited**

U.S. PATENT DOCUMENTS

- 4,078,169 A * 3/1978 Armstrong 362/122
- D345,807 S * 4/1994 Ingraham D25/119
- D387,883 S * 12/1997 Montgomery D26/25
- 5,857,493 A 1/1999 Matz
- D449,113 S * 10/2001 Stegmeier D25/2
- D484,993 S * 1/2004 Jones D25/164

1 Claim, 3 Drawing Sheets





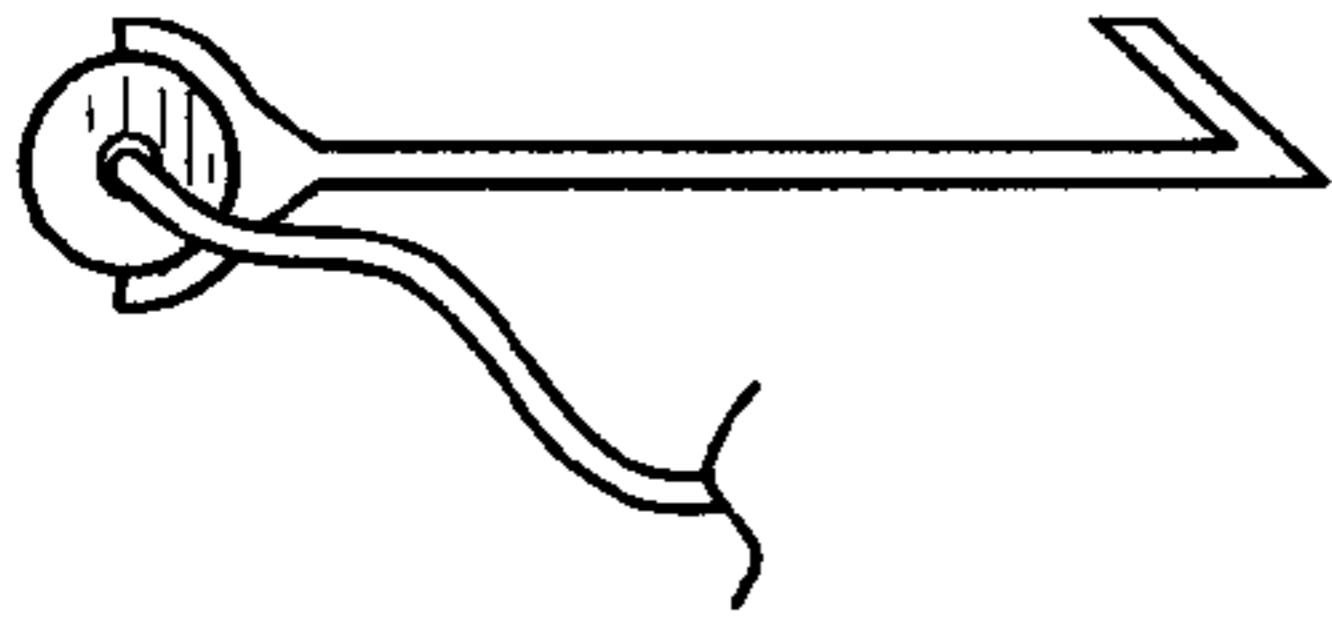


FIG. 3

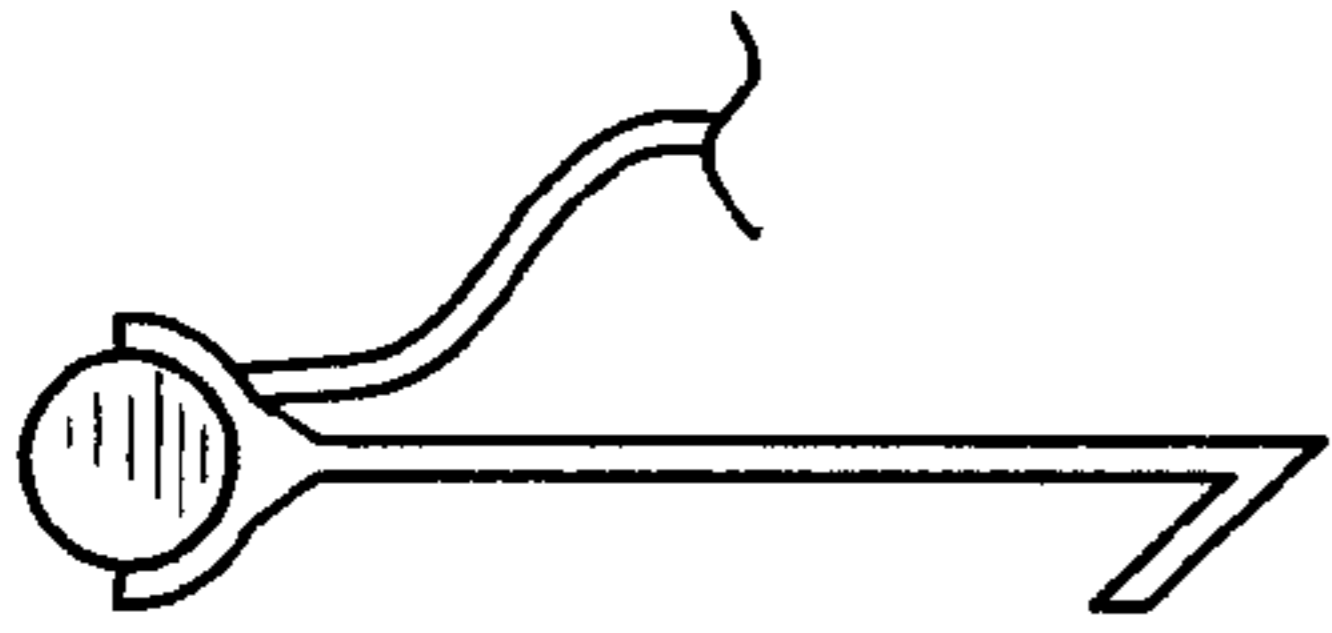


FIG. 4

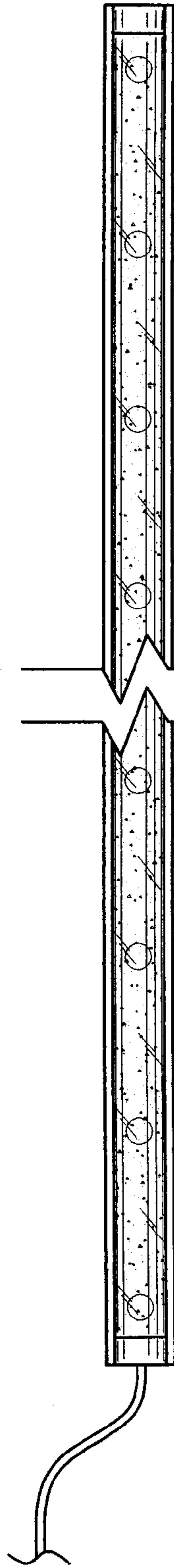


FIG. 5

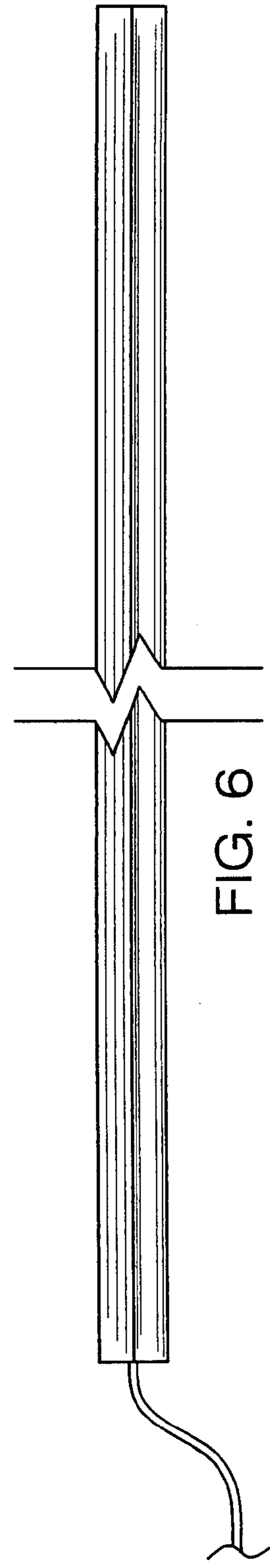


FIG. 6

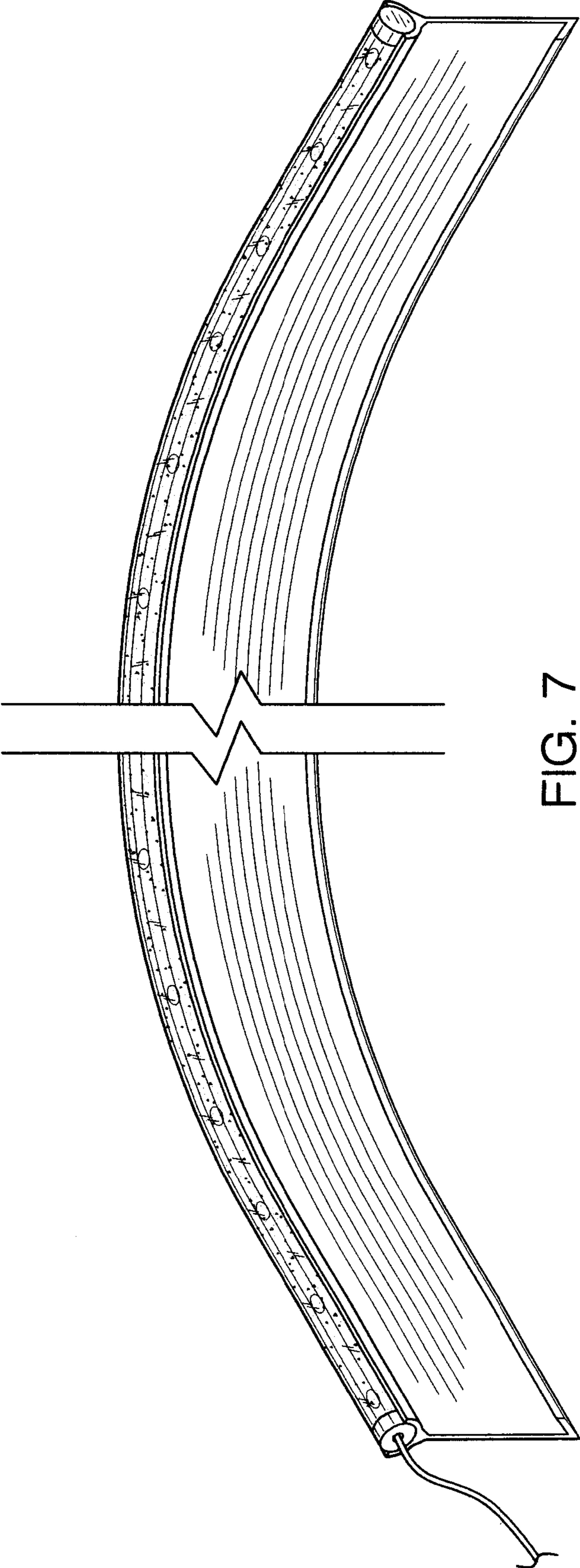


FIG. 7