



US00D520640S

(12) **United States Design Patent**
Pils et al.

(10) **Patent No.:** **US D520,640 S**

(45) **Date of Patent:** **** May 9, 2006**

(54) **PACIFIER**

(75) Inventors: **Reiner Pils**, Kalbe (DE); **Stephane Pottier**, Bagnolet cedex (DE)

(73) Assignee: **MAPA GmbH**, Zeven (DE)

(**) Term: **14 Years**

(21) Appl. No.: **29/197,043**

(22) Filed: **Jan. 8, 2004**

(51) **LOC (8) Cl.** **24-04**

(52) **U.S. Cl.** **D24/194**

(58) **Field of Classification Search** D24/194-196;
606/234-236; 215/11.1-11.6

See application file for complete search history.

(56) **References Cited**

U.S. PATENT DOCUMENTS

D285,839 S	*	9/1986	Roehrig	D24/194
D303,839 S	*	10/1989	Fitzpatrick et al.	D24/194
D312,312 S	*	11/1990	Herritz	D24/194
D326,919 S	*	6/1992	Geitner et al.	D24/194
D387,868 S	*	12/1997	Wilburn	D24/194

D441,083 S	*	4/2001	Roehrig	D24/194
6,241,110 B1	*	6/2001	Hakim	215/11.1
D445,902 S	*	7/2001	Luehne-Porath	D24/194
D450,127 S	*	11/2001	Trujillo	D24/194

* cited by examiner

Primary Examiner—Ian Simmons

Assistant Examiner—Daniel Yu

(74) *Attorney, Agent, or Firm*—Vidas, Arrett & Steinkraus, P.A.

(57) **CLAIM**

The ornamental design for a pacifier, as shown.

DESCRIPTION

FIG. 1 is a bottom plan view of a pacifier showing our new design;

FIG. 2 is a rear elevational view thereof;

FIG. 3 is a right elevational view thereof;

FIG. 4 is a front elevational view thereof;

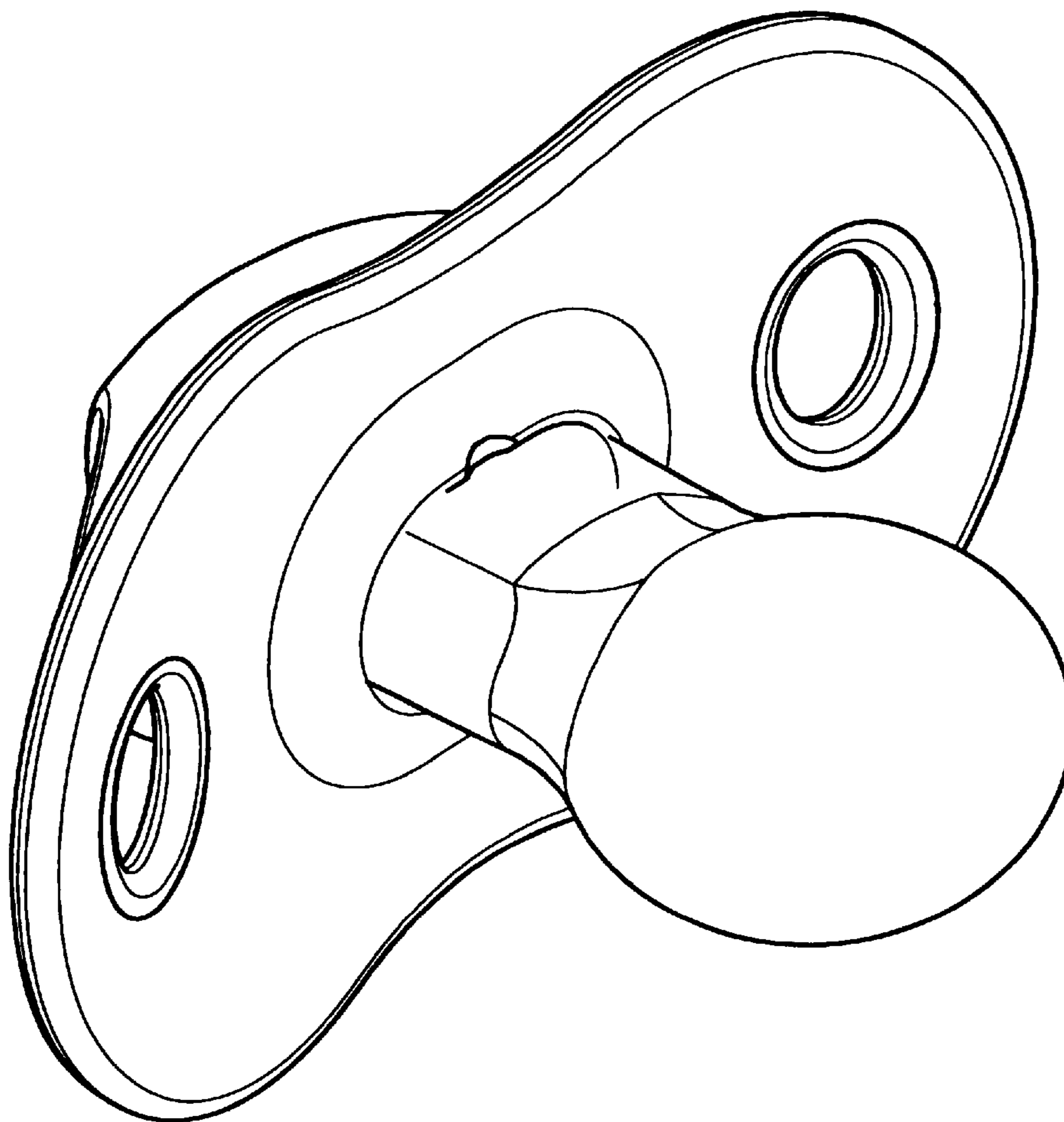
FIG. 5 is a left elevational view thereof;

FIG. 6 is a top plan view thereof;

FIG. 7 is a perspective view thereof; and,

FIG. 8 is another perspective view.

1 Claim, 8 Drawing Sheets



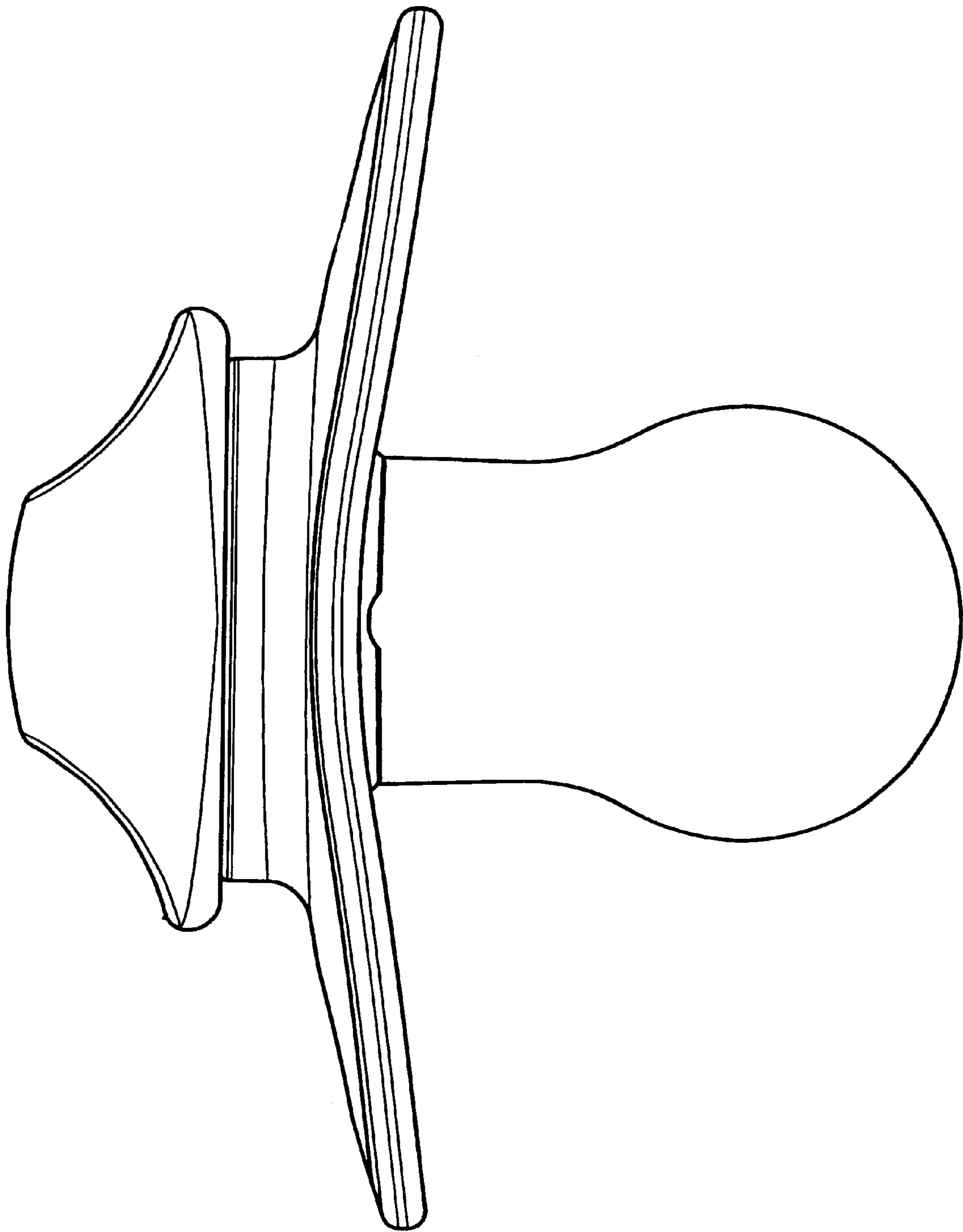


Fig. 1

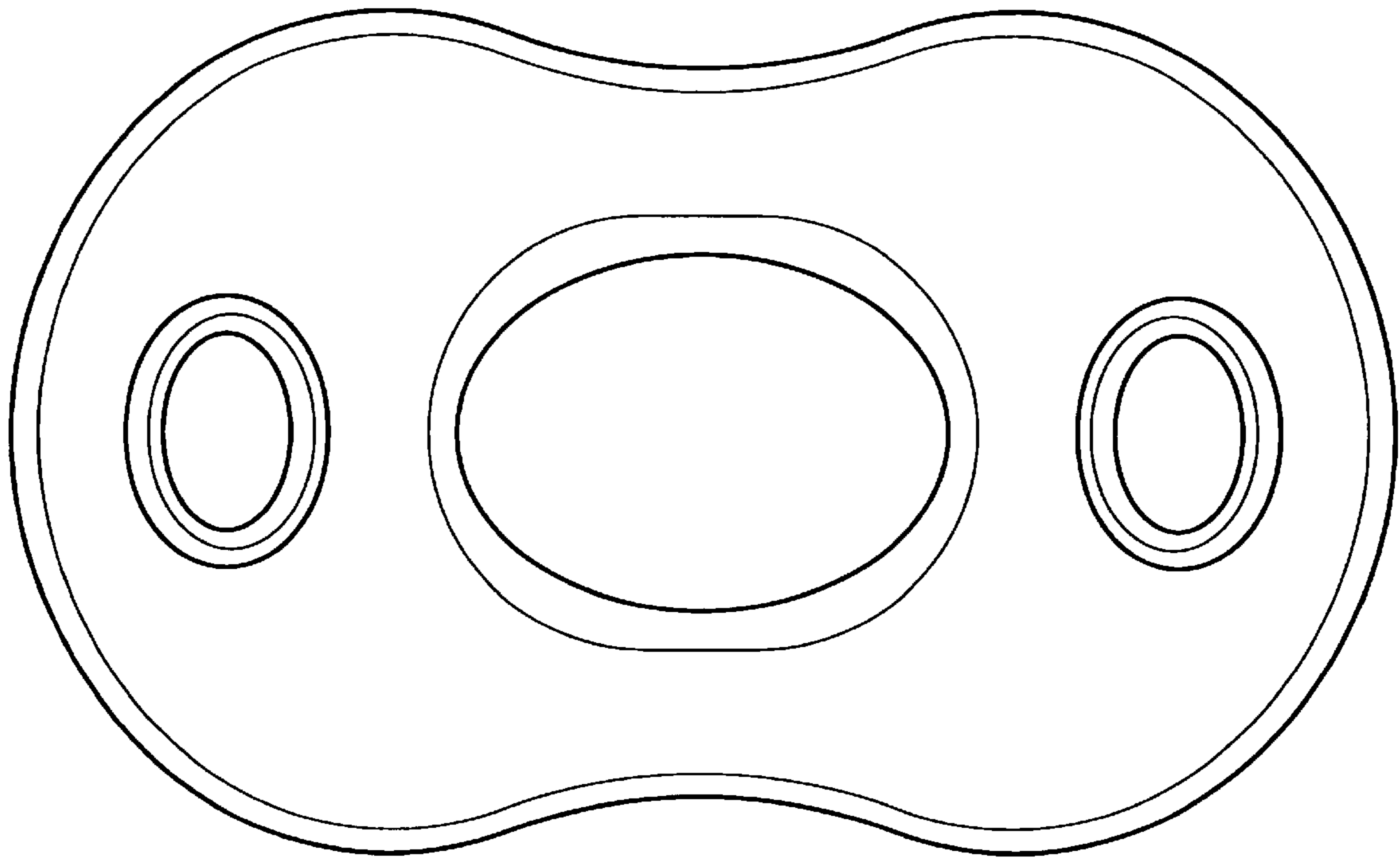


Fig. 2

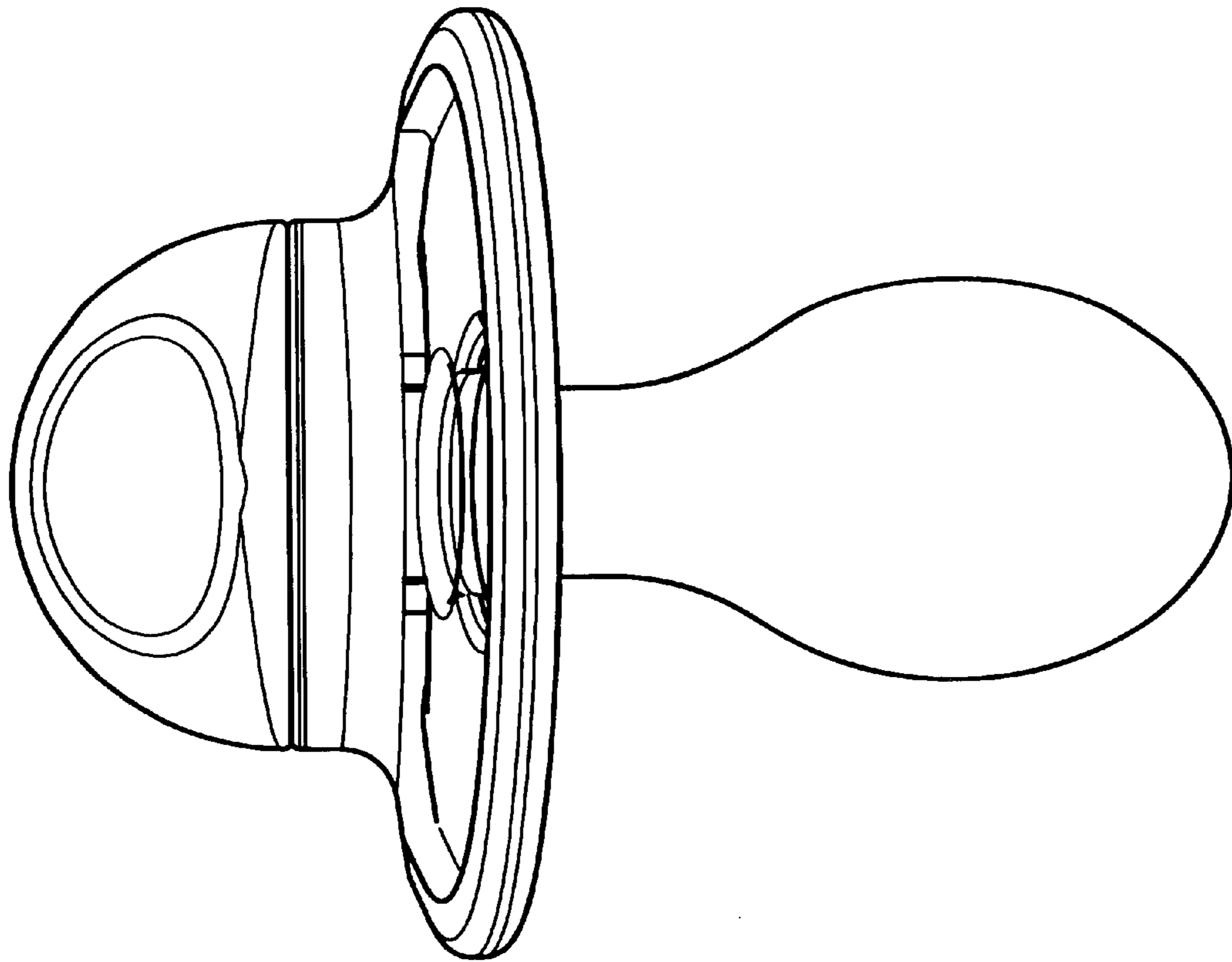


Fig. 3

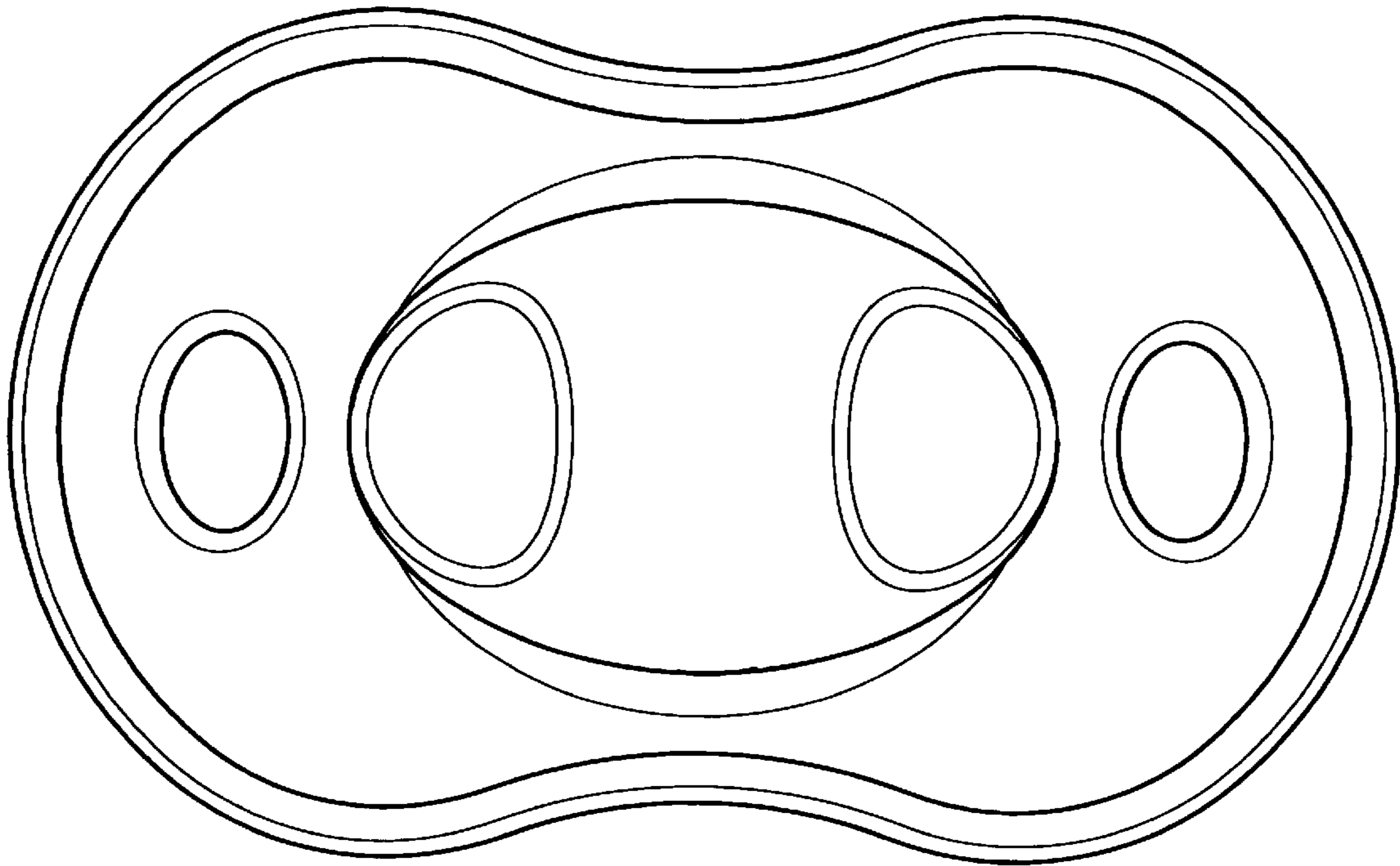


Fig. 4

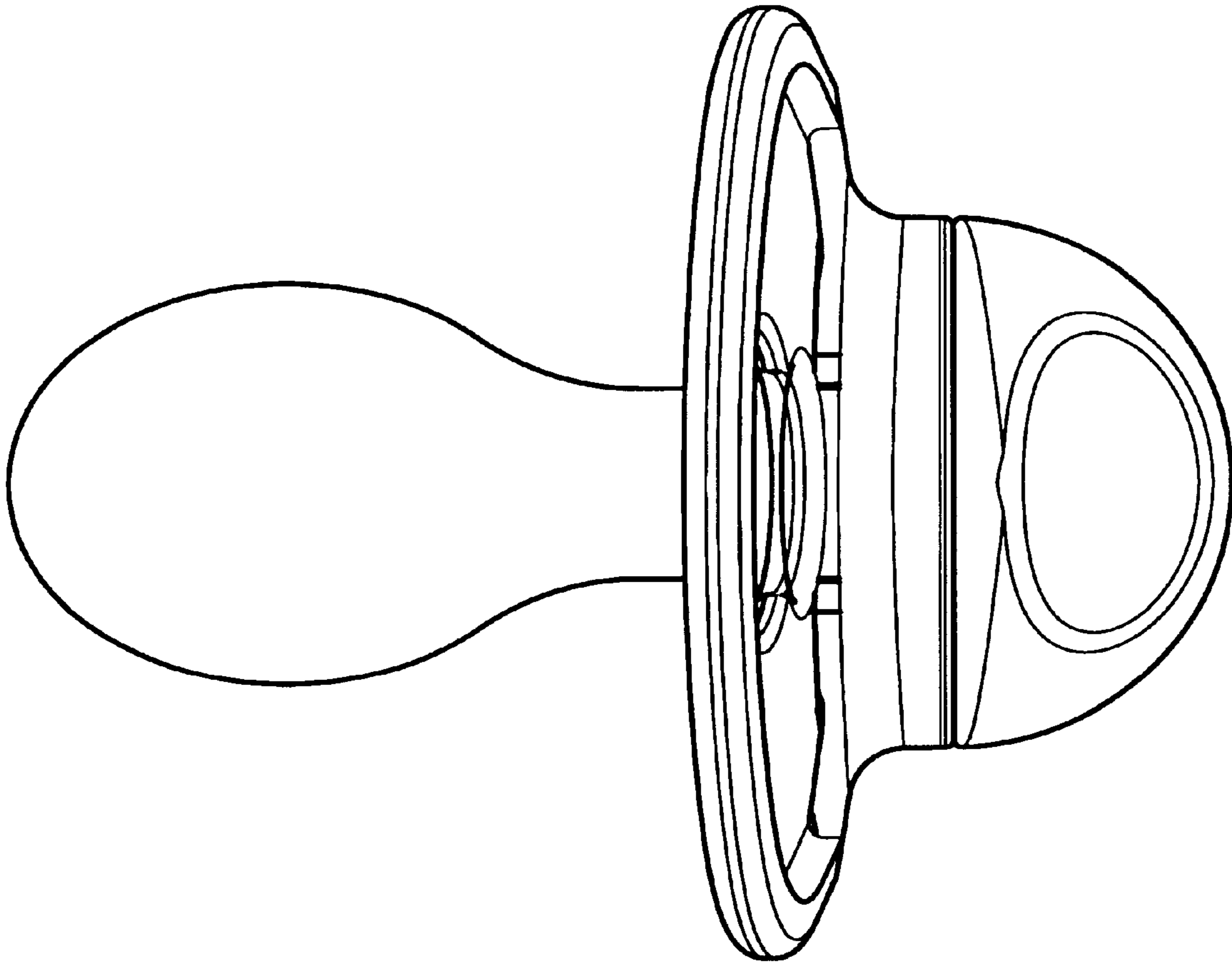


Fig. 5

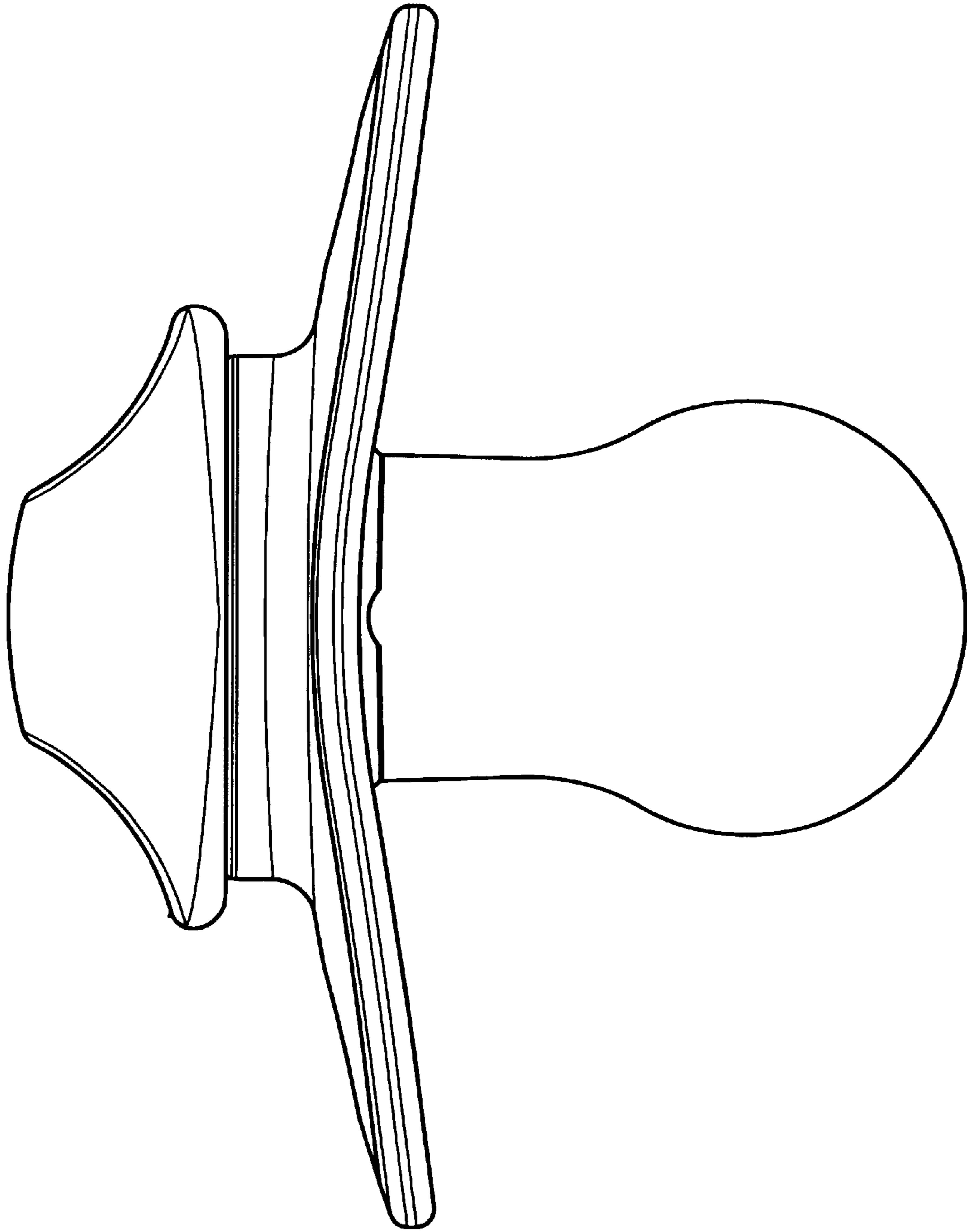


Fig. 6

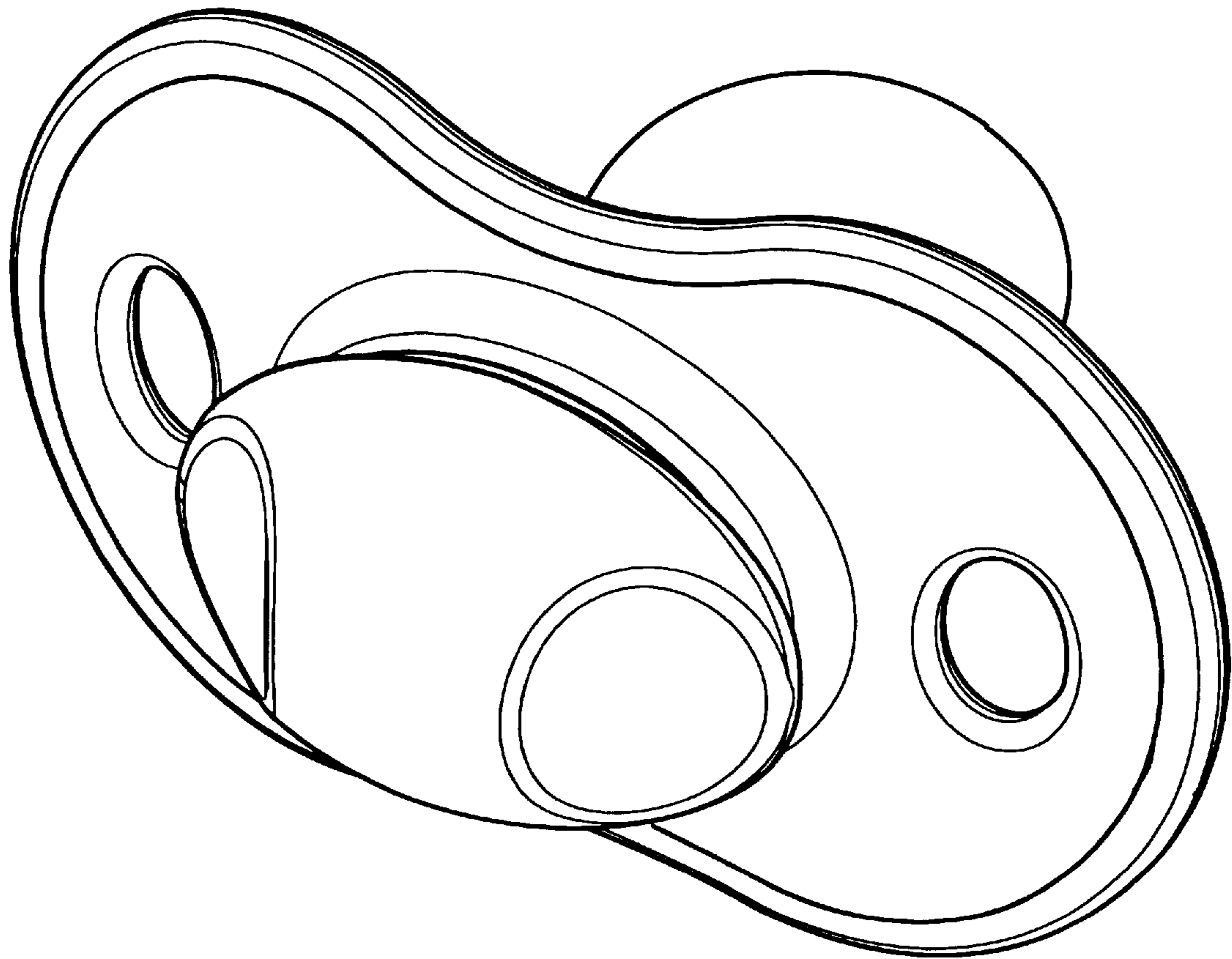


Fig. 7

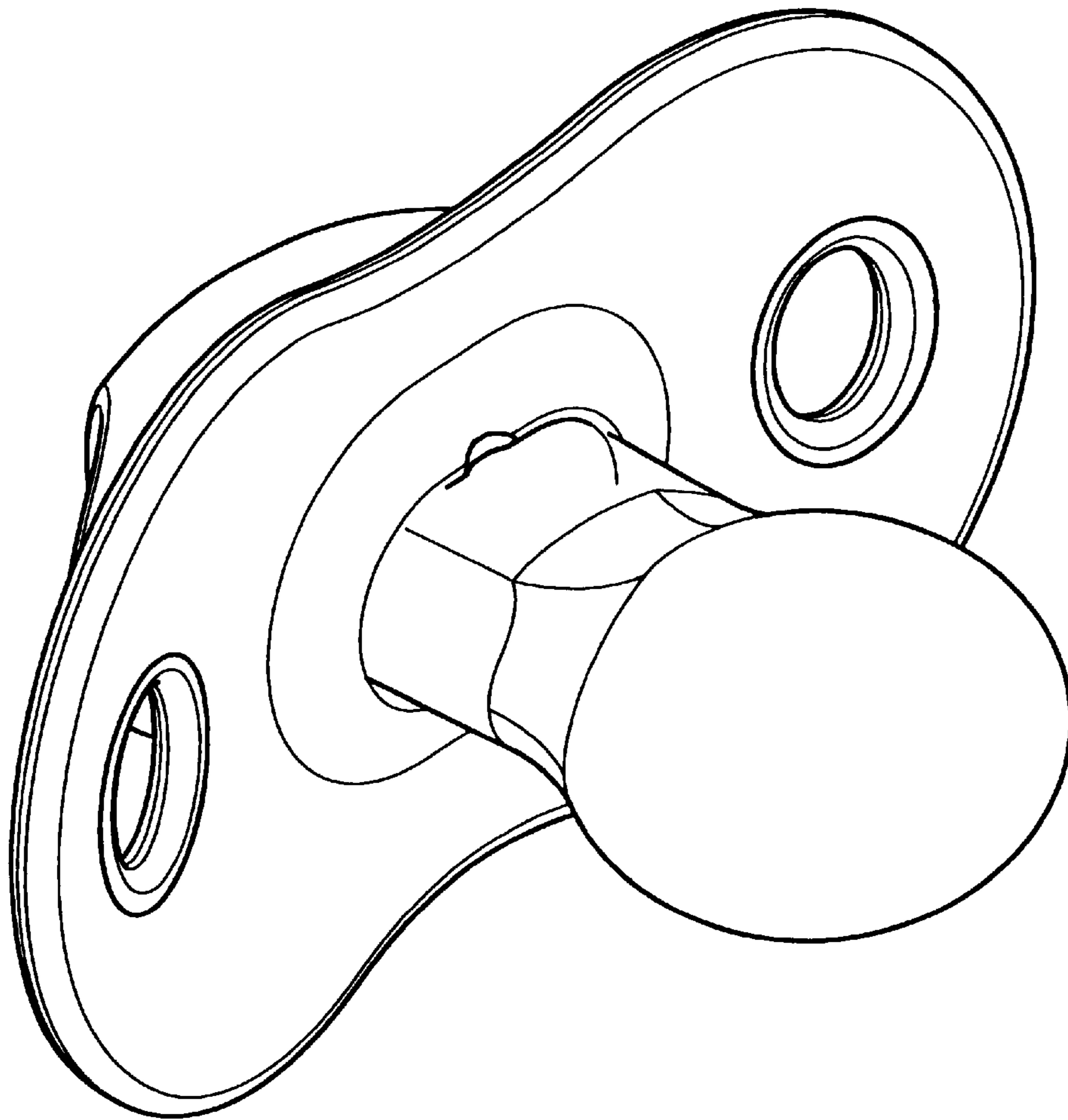


Fig. 8