



US00D520634S

(12) **United States Design Patent** (10) **Patent No.:** **US D520,634 S**
Florez (45) **Date of Patent:** **** May 9, 2006**

(54) **PORTION OF A CEILING FAN HOUSING**

(75) Inventor: **Miguel Florez**, Riverside, CA (US)

(73) Assignee: **Minka Lighting, Inc.**, Corona, CA (US)

(**) Term: **14 Years**

(21) Appl. No.: **29/228,038**

(22) Filed: **Apr. 19, 2005**

(51) **LOC (8) Cl.** **23-04**

(52) **U.S. Cl.** **D23/411**

(58) **Field of Classification Search** D23/377,
D23/379, 385, 411; 416/5

See application file for complete search history.

(56) **References Cited**

U.S. PATENT DOCUMENTS

D407,810 S * 4/1999 Jaspers-Fayer D23/377
D415,269 S * 10/1999 Wang D23/377

OTHER PUBLICATIONS

Emerson Internet Catalog; Castilla; Model #KF120SCK; printed from www.fanshack.com on Apr. 20, 2005.
Ellington Internet Catalog; LaRochelle; Model #ELLR54BGD5LKWCR2; printed from www.fanswork-soutlet.com on Apr. 20, 2005.
Patio Collection Internet Catalog; Model #014255; printed from www.ceilingfansontheweb.com on Apr. 20, 2005.
Home Lighting & Accessories; Dallas Summer Market catalog; Jun. 2004; pp. 50–51; Savoy House; U.S.A.

Minka Lighting, Inc.; MinkaAire 2005 catalog; Jan. 2005; p. 20; Minka Lighting, Inc.; U.S.A.

Minka Lighting, Inc.; MinkaAire 2005 catalog; Jan. 2005; pp. 48–49; Minka Lighting, Inc.; U.S.A.

Minka Lighting, Inc.; MinkaAire 2005 catalog; Jan. 2005; pp. 24–25; Minka Lighting, Inc.; U.S.A.

Minka Lighting, Inc.; MinkaAire 2005 catalog; Jan. 2005; pp. 50–51; Minka Lighting, Inc.; U.S.A.

Minka Lighting, Inc.; MinkaAire 2005 catalog; Jan. 2005; pp. 14–15; Minka Lighting, Inc.; U.S.A.

* cited by examiner

Primary Examiner—Lisa Lichtenstein

(74) *Attorney, Agent, or Firm*—Baker & McKenzie LLP

(57) **CLAIM**

The ornamental design for a portion of a ceiling fan housing, as shown and described.

DESCRIPTION

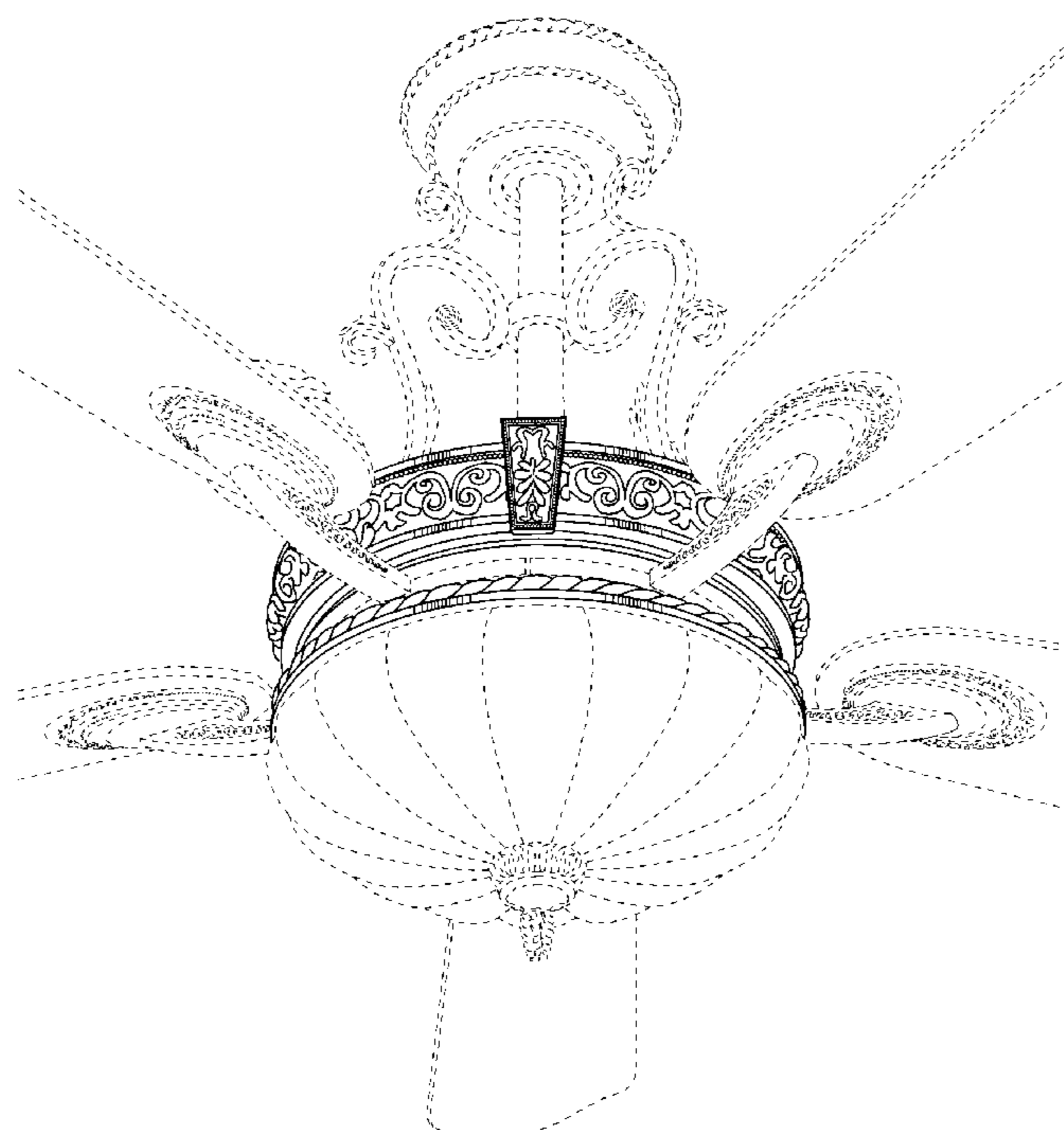
FIG. 1 is a perspective view from below of a portion of a ceiling fan housing in accordance with my design;

FIG. 2 is a front elevation view of the portion of a ceiling fan housing in accordance with my design; and,

FIG. 3 is a side elevation view of the portion of a ceiling fan housing in accordance with my design, the opposite side being a mirror image of that shown.

The broken lines showing environmental structure are for illustrative purposes and form no part of the claimed design.

1 Claim, 3 Drawing Sheets



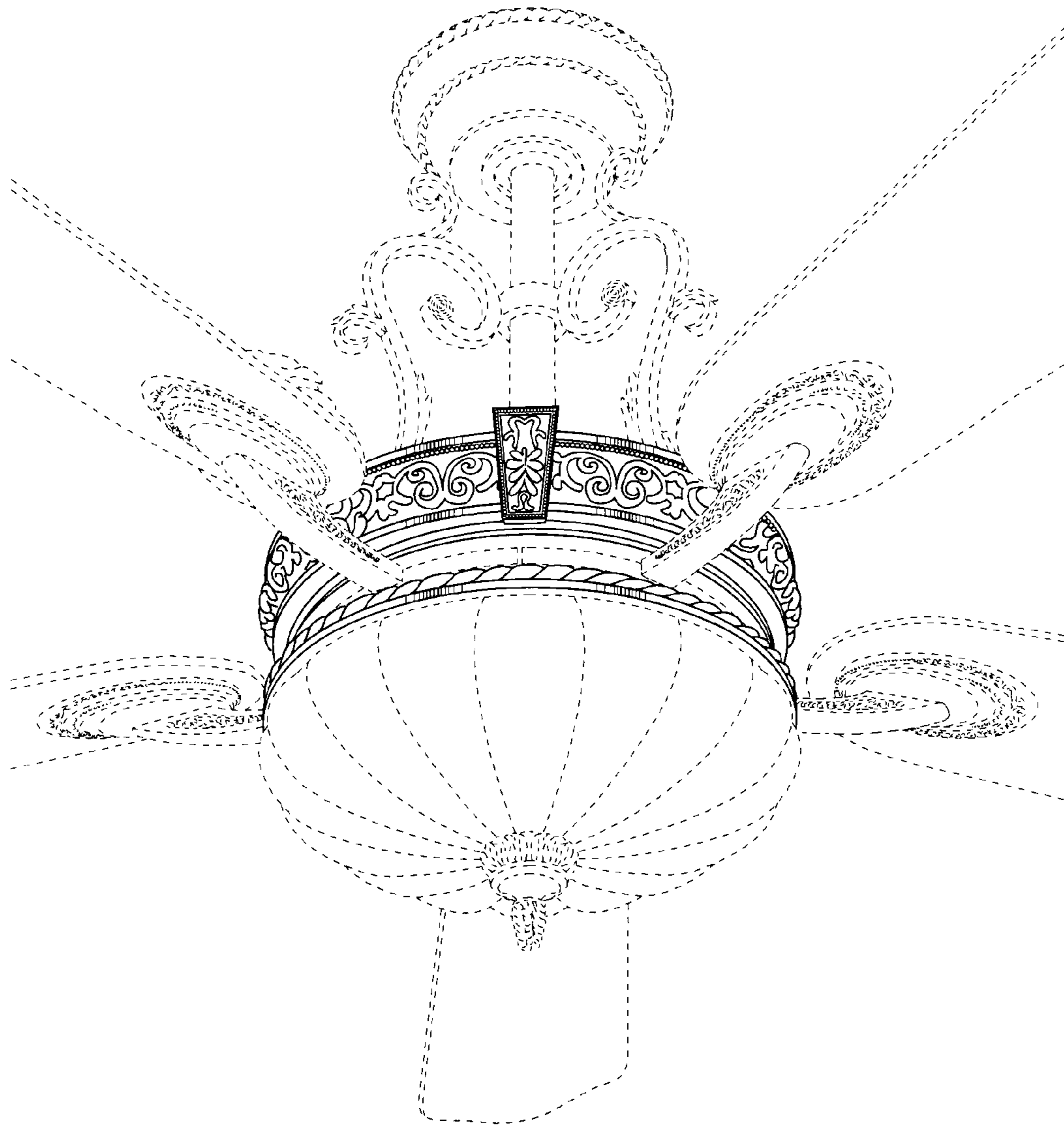


Fig.1

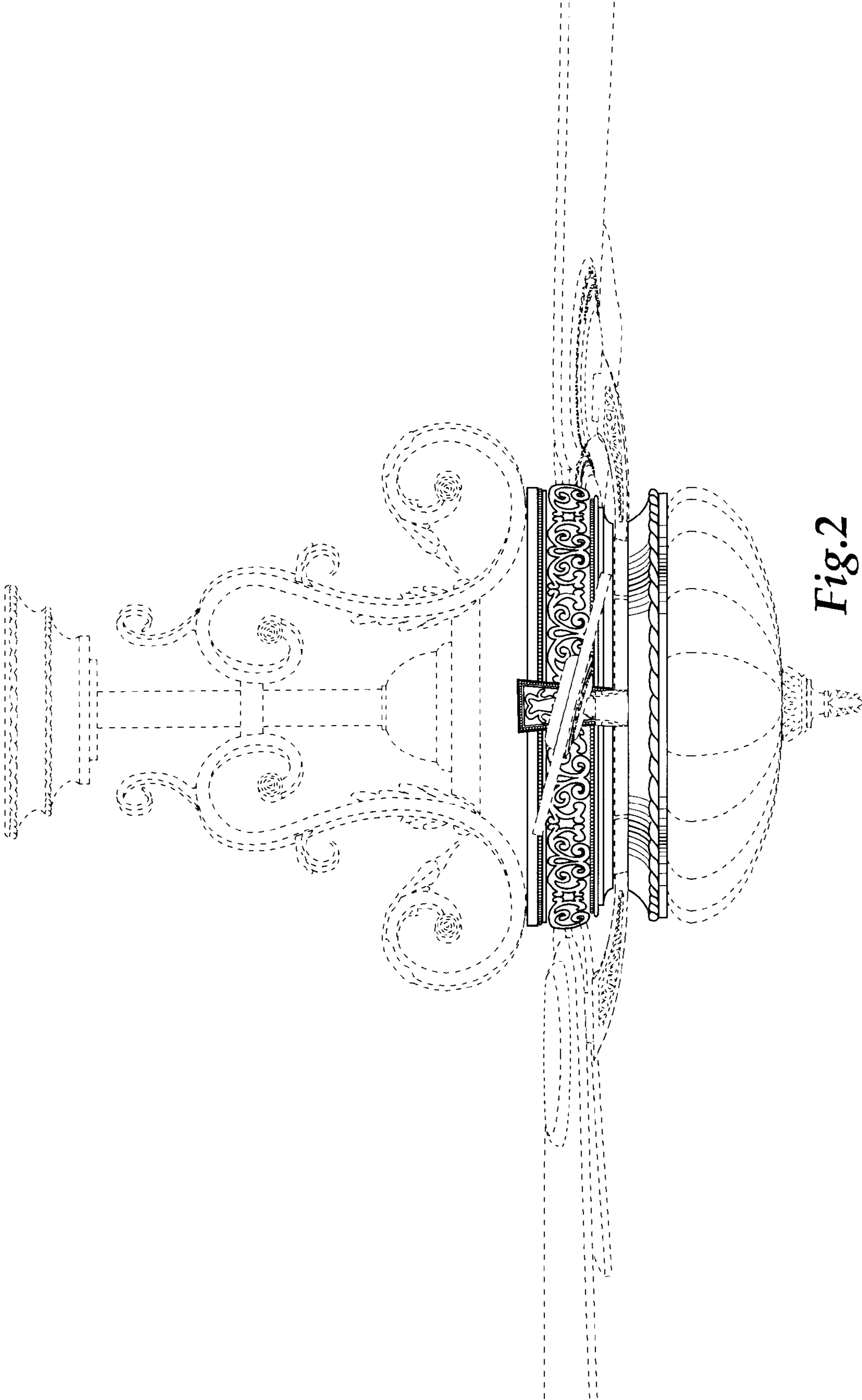


Fig.2

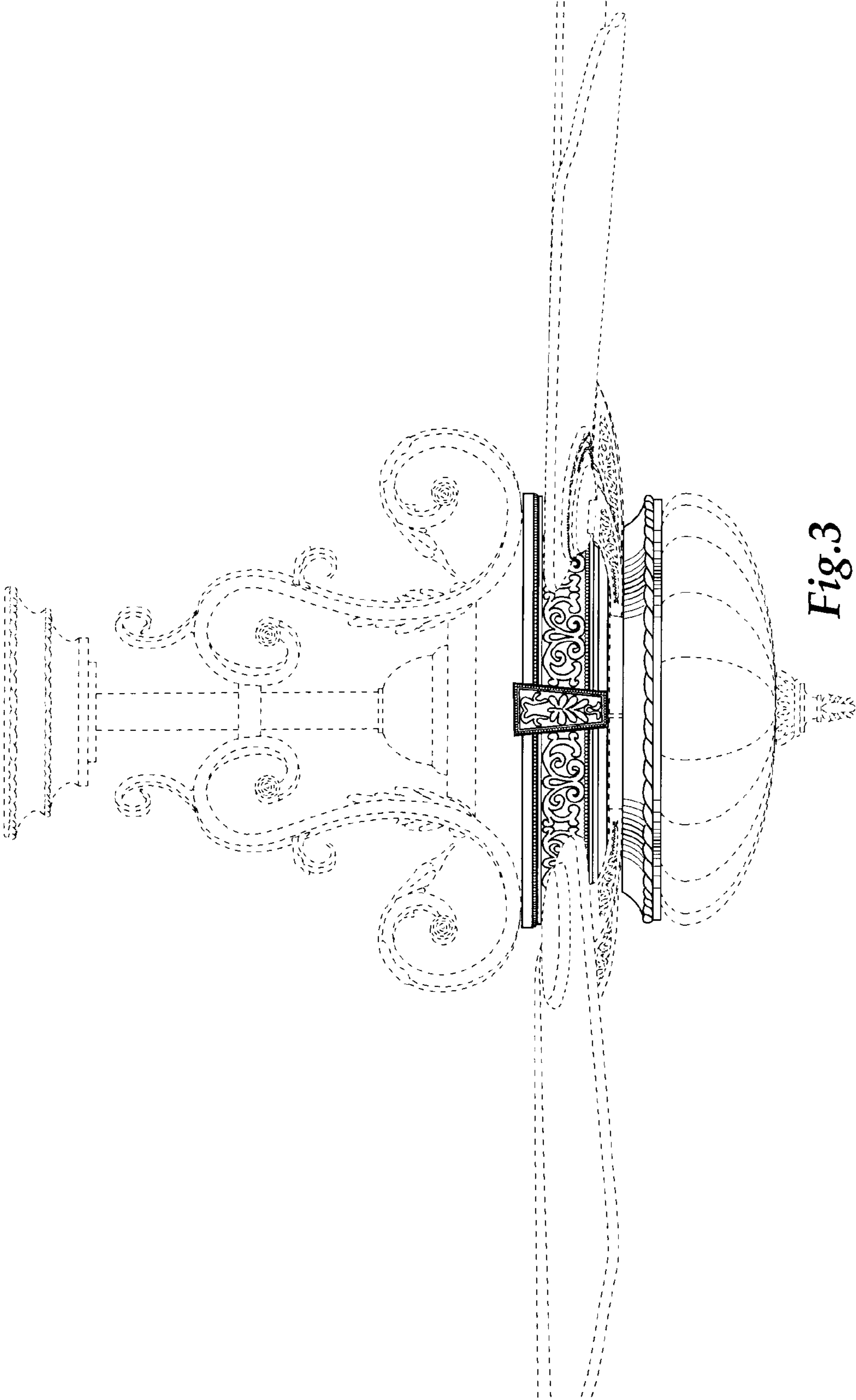


Fig. 3

UNITED STATES PATENT AND TRADEMARK OFFICE
CERTIFICATE OF CORRECTION

PATENT NO. : Des. 520,634 S
APPLICATION NO. : 29/228038
DATED : May 9, 2006
INVENTOR(S) : Florez

Page 1 of 3

It is certified that error appears in the above-identified patent and that said Letters Patent is hereby corrected as shown below:

The title page showing an illustrative figure(s) 1 should be deleted and substitute therefore the attached title page consisting of Fig(s). 1.

The drawing sheets consisting of Fig(s) 1 should be deleted and substitute therefore the attached drawing sheets consisting of Fig(s) 1.

Signed and Sealed this

Eighteenth Day of September, 2007

A handwritten signature in black ink on a light gray dotted background. The signature reads "Jon W. Dudas" in a cursive, stylized font.

JON W. DUDAS

Director of the United States Patent and Trademark Office

(12) **United States Design Patent** (10) Patent No.: **US D520,634 S**
 Florez (45) Date of Patent: **** May 9, 2006**

(54) **PORTION OF A CEILING FAN HOUSING**

(75) Inventor: Miguel Florez, Riverside, CA (US)

(73) Assignee: Minka Lighting, Inc., Corona, CA (US)

(**) Term: 14 Years

(21) Appl. No.: 29/228,038

(22) Filed: Apr. 19, 2005

(51) LOC (8) CL 23-04

(52) U.S. CL D23/411

(58) Field of Classification Search D23/377,
 D23/379, 385, 411; 416/5

See application file for complete search history.

(56) **References Cited**

U.S. PATENT DOCUMENTS

D407,810 S * 4/1999 Jaspers-Fayer D23/377
 D415,269 S * 10/1999 Wang D23/377

OTHER PUBLICATIONS

Emerson Internet Catalog; Castilla; Model #KF120SCK; printed from www.fanshack.com on Apr. 20, 2005.
 Ellington Internet Catalog; LaRoche; Model #ELLR54BGD5LKWCR2; printed from www.fanswork-south.com on Apr. 20, 2005.
 Patio Collection Internet Catalog; Model #014255; printed from www.ceilingfansontheweb.com on Apr. 20, 2005.
 Home Lighting & Accessories; Dallas Summer Market catalog; Jun. 2004; pp. 50-51; Savoy House; U.S.A.

Minka Lighting, Inc.; MinkaAire 2005 catalog; Jan. 2005; p. 20; Minka Lighting, Inc.; U.S.A.

Minka Lighting, Inc.; MinkaAire 2005 catalog; Jan. 2005; pp. 48-49; Minka Lighting, Inc.; U.S.A.

Minka Lighting, Inc.; MinkaAire 2005 catalog; Jan. 2005; pp. 24-25; Minka Lighting, Inc.; U.S.A.

Minka Lighting, Inc.; MinkaAire 2005 catalog; Jan. 2005; pp. 50-51; Minka Lighting, Inc.; U.S.A.

Minka Lighting, Inc.; MinkaAire 2005 catalog; Jan. 2005; pp. 14-15; Minka Lighting, Inc.; U.S.A.

* cited by examiner

Primary Examiner—Lisa Lichtenstein

(74) Attorney, Agent, or Firm—Baker & McKenzie LLP

(57) **CLAIM**

The ornamental design for a portion of a ceiling fan housing, as shown and described.

DESCRIPTION

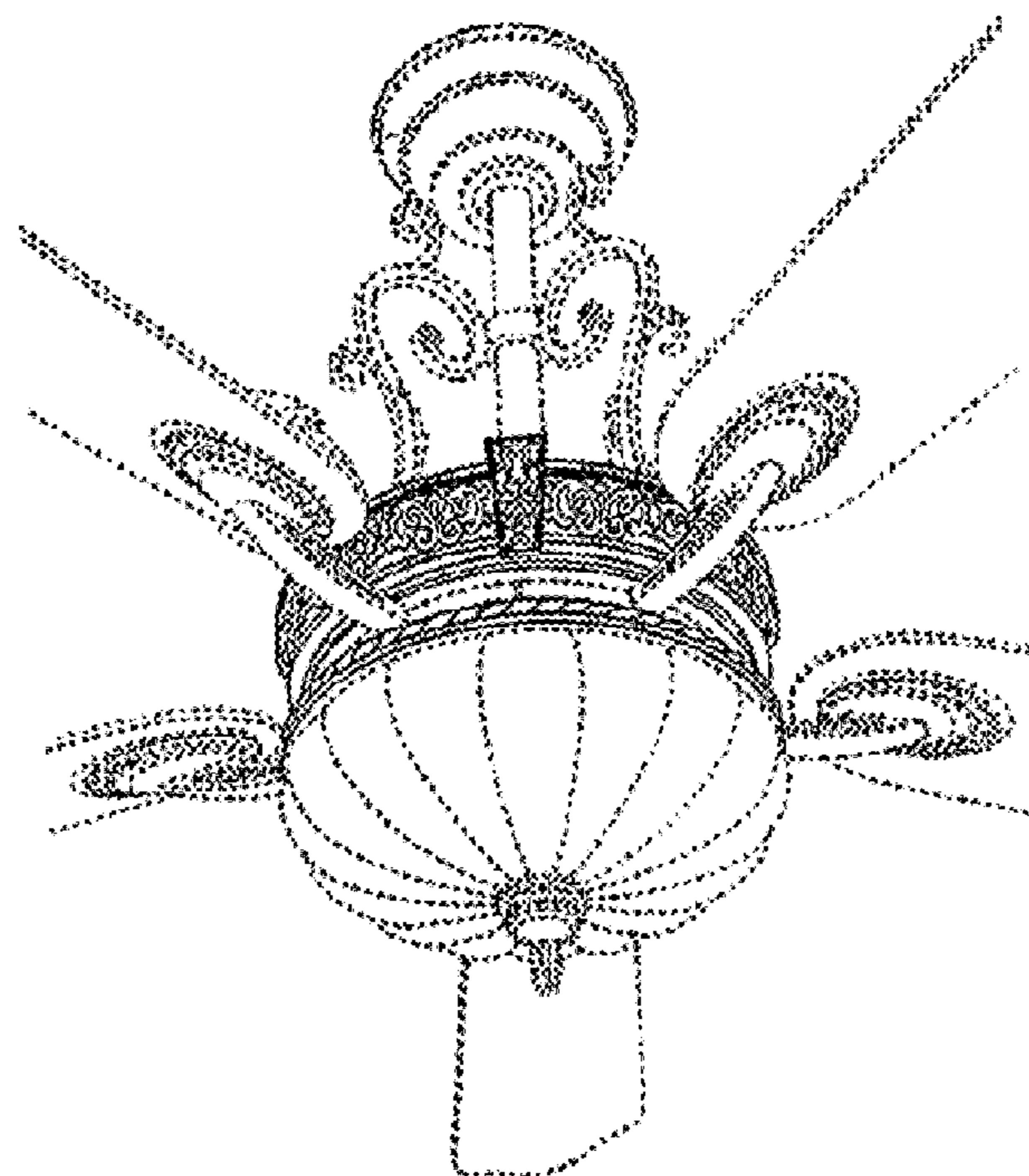
FIG. 1 is a perspective view from below of a portion of a ceiling fan housing in accordance with my design;

FIG. 2 is a front elevation view of the portion of a ceiling fan housing in accordance with my design; and,

FIG. 3 is a side elevation view of the portion of a ceiling fan housing in accordance with my design, the opposite side being a mirror image of that shown.

The broken lines showing environmental structure are for illustrative purposes and form no part of the claimed design.

1 Claim, 3 Drawing Sheets



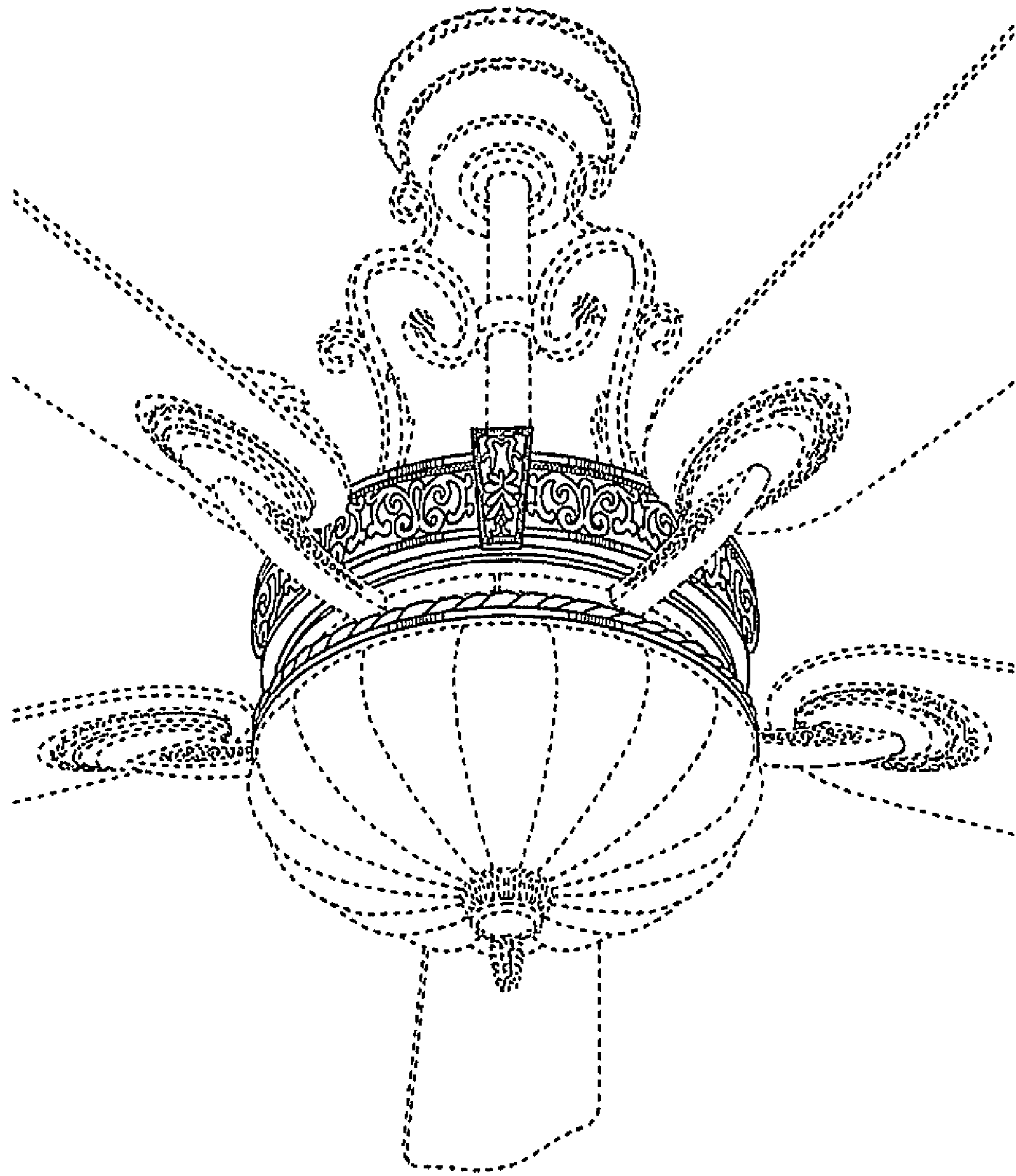


Fig.1

UNITED STATES PATENT AND TRADEMARK OFFICE
CERTIFICATE OF CORRECTION

PATENT NO. : Des. 520,634 S
APPLICATION NO. : 29/228038
DATED : May 9, 2006
INVENTOR(S) : Florez

Page 1 of 3

It is certified that error appears in the above-identified patent and that said Letters Patent is hereby corrected as shown below:

Delete the title page and substitute therefor the attached title page.

Item (12) "Florez" should read -- Flores --.

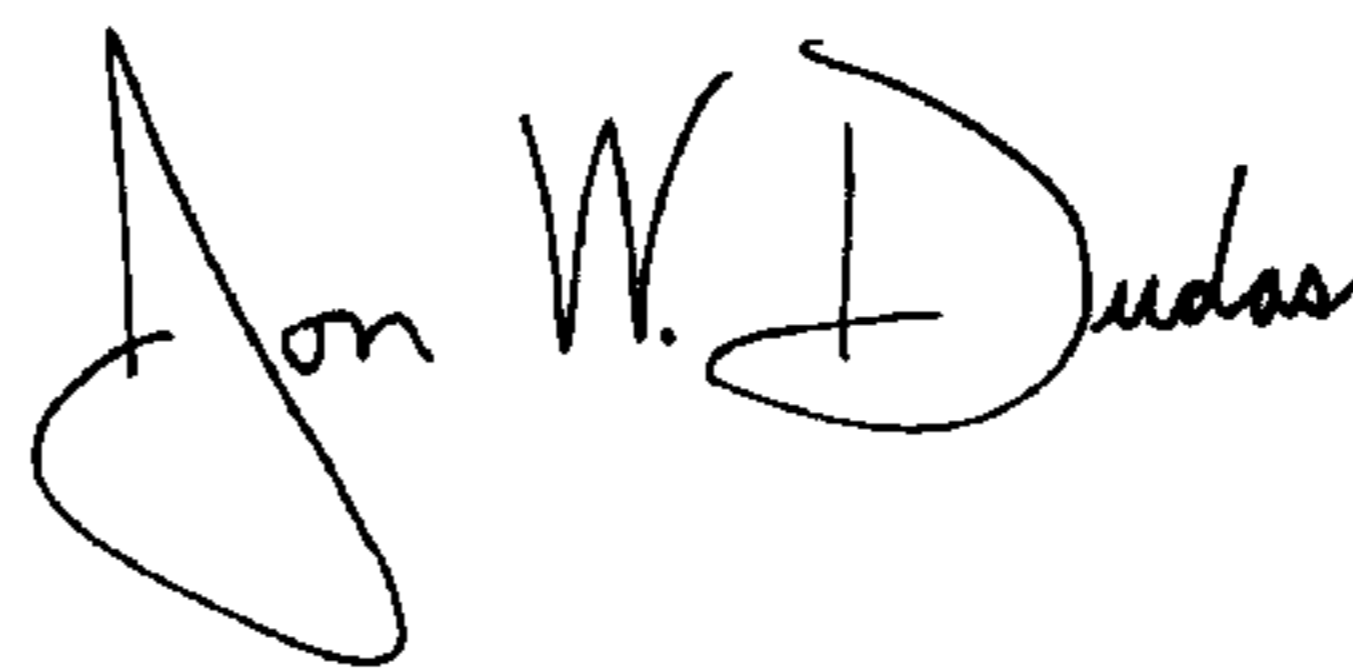
Item (75) "Miguel Florez" should read -- Miguel Flores --.

The drawing sheets consisting of Fig(s) 1 should be deleted and substitute therefor the attached drawing sheets consisting of Fig(s) 1.

This certificate supersedes the Certificate of Correction issued September 18, 2007.

Signed and Sealed this

Sixth Day of May, 2008



JON W. DUDAS
Director of the United States Patent and Trademark Office

(12) **United States Design Patent** (10) **Patent No.:** **US D520,634 S**
Flores (45) **Date of Patent:** **** May 9, 2006**

(54) **PORTION OF A CEILING FAN HOUSING**

(75) **Inventor:** Miguel Flores Riverside, CA (US)

(73) **Assignee:** Minka Lighting, Inc., Corona, CA (US)

(**) **Term:** 14 Years

(21) **Appl. No.:** 29/228,038

(22) **Filed:** Apr. 19, 2005

(51) **LOC (8) Cl.** 23-04

(52) **U.S. Cl.** D23/411

(58) **Field of Classification Search** D23/377,
D23/379, 385, 411, 416/5

See application file for complete search history.

(56) **References Cited**

U.S. PATENT DOCUMENTS

D407,810 S * 4/1999 Jaspers-Fayer D23/377

D415,269 S * 10/1999 Wang D23/377

OTHER PUBLICATIONS

Emerson Internet Catalog; Castilla; Model #KF120SCK; printed from www.fanshack.com on Apr. 20, 2005.

Ellington Internet Catalog; LaRoche; Model #ELLR54BGDSLKWCR2; printed from www.fanswork-soutlet.com on Apr. 20, 2005.

Patio Collection Internet Catalog; Model #014255; printed from www.ceilingfansontheweb.com on Apr. 20, 2005.

Home Lighting & Accessories; Dallas Summer Market catalog; Jun. 2004; pp. 50-51; Savoy House; U.S.A.

Minka Lighting, Inc.; MinkaAire 2005 catalog; Jan. 2005; p. 20; Minka Lighting, Inc.; U.S.A.

Minka Lighting, Inc.; MinkaAire 2005 catalog; Jan. 2005; pp. 48-49; Minka Lighting, Inc.; U.S.A.

Minka Lighting, Inc.; MinkaAire 2005 catalog; Jan. 2005; pp. 24-25; Minka Lighting, Inc.; U.S.A.

Minka Lighting, Inc.; MinkaAire 2005 catalog; Jan. 2005; pp. 50-51; Minka Lighting, Inc.; U.S.A.

Minka Lighting, Inc.; MinkaAire 2005 catalog; Jan. 2005; pp. 14-15; Minka Lighting, Inc.; U.S.A.

* cited by examiner

Primary Examiner---Lisa Lichtenstein

(74) *Attorney, Agent, or Firm*---Baker & McKenzie LLP

(57) **CLAIM**

The ornamental design for a portion of a ceiling fan housing, as shown and described.

DESCRIPTION

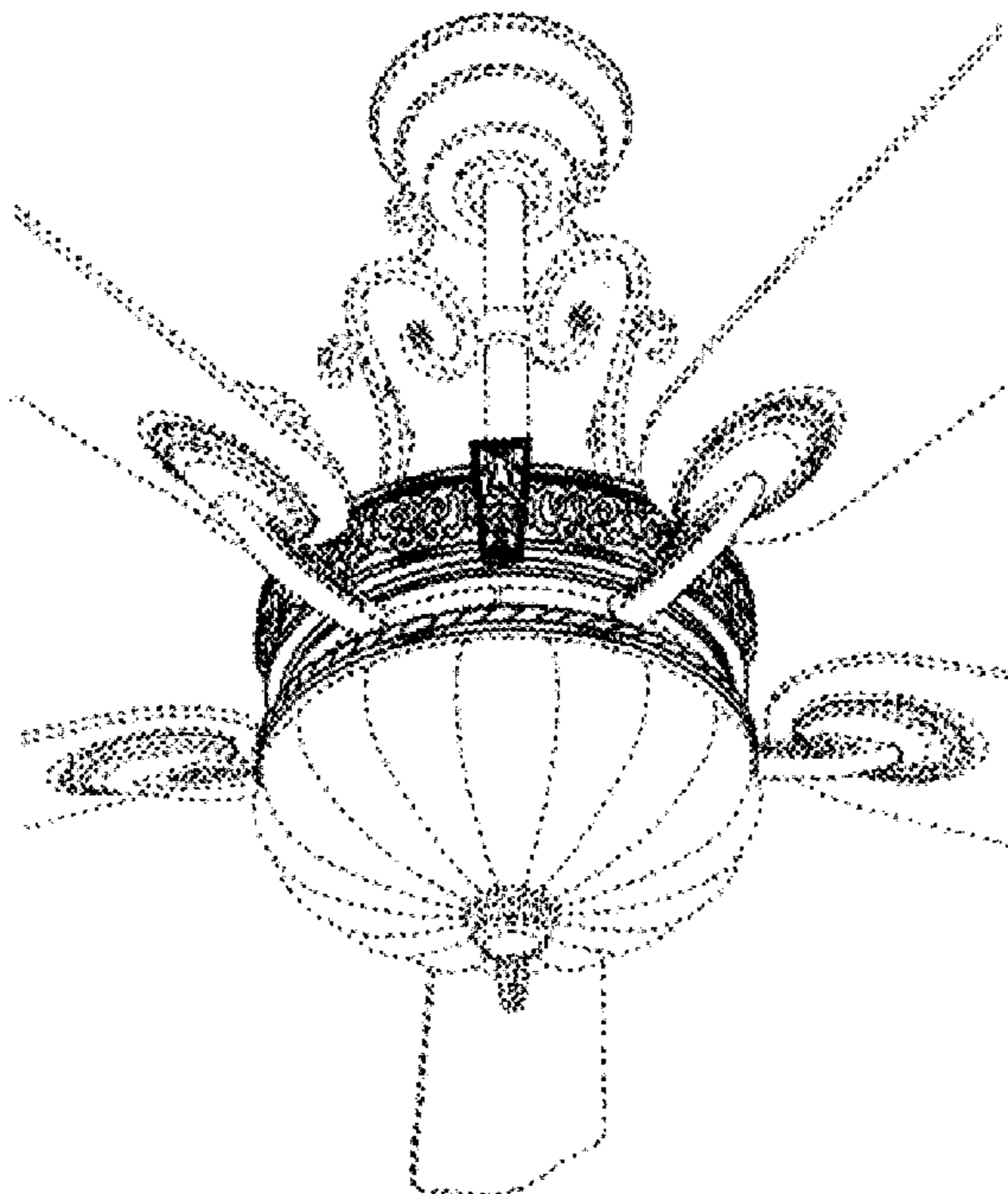
FIG. 1 is a perspective view from below of a portion of a ceiling fan housing in accordance with my design;

FIG. 2 is a front elevation view of the portion of a ceiling fan housing in accordance with my design; and,

FIG. 3 is a side elevation view of the portion of a ceiling fan housing in accordance with my design, the opposite side being a mirror image of that shown.

The broken lines showing environmental structure are for illustrative purposes and form no part of the claimed design.

1 Claim, 3 Drawing Sheets



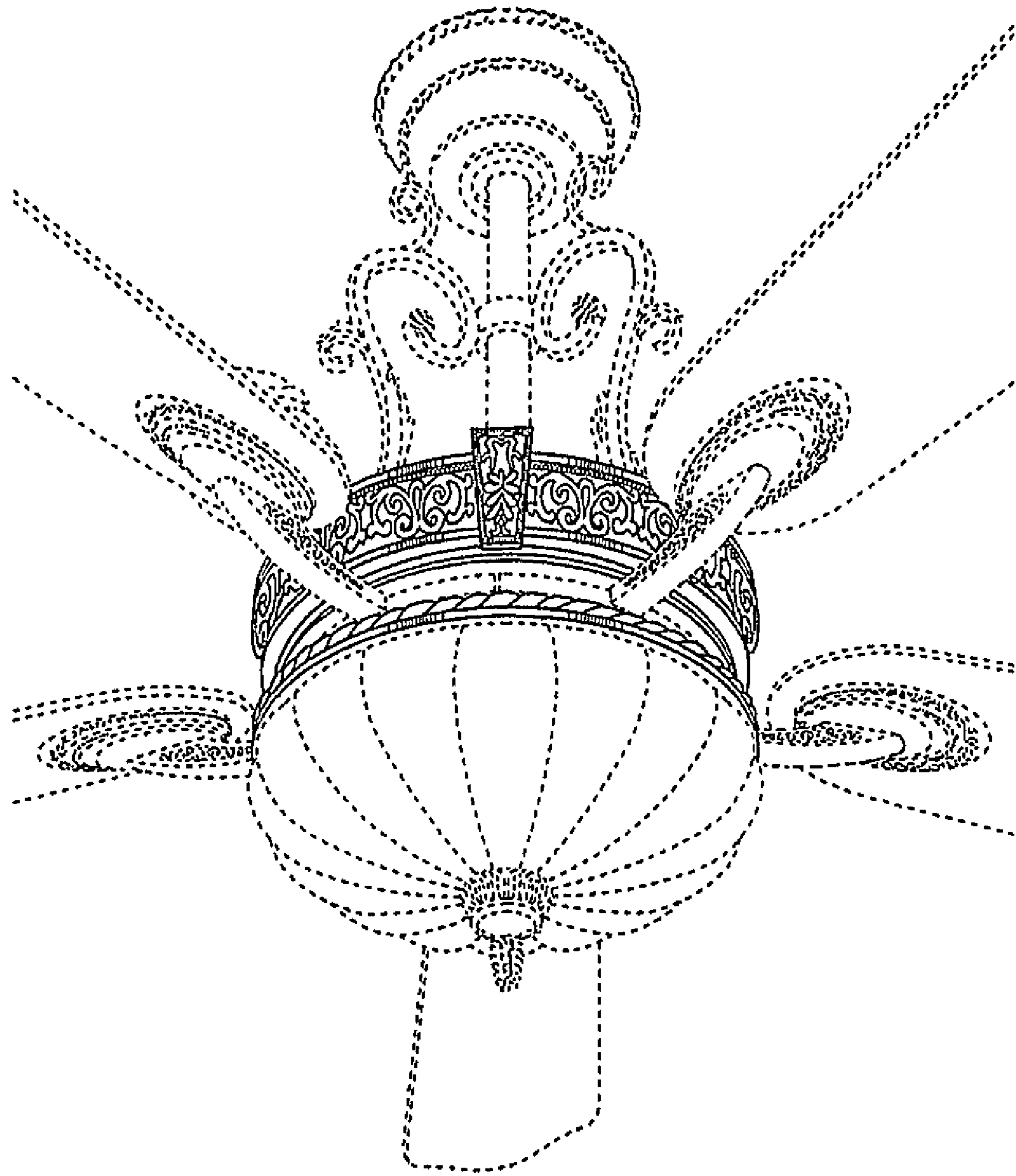


Fig.1