



US00D520632S

(12) **United States Design Patent**
Tai

(10) **Patent No.:** **US D520,632 S**

(45) **Date of Patent:** **** May 9, 2006**

(54) **COMBINED CEILING FAN HOUSING AND LIGHT KIT**

(76) Inventor: **Jen-Lung David Tai**, 19507 N. 65th Ave., Glendale, AZ (US) 85308

(**) Term: **14 Years**

(21) Appl. No.: **29/192,559**

(22) Filed: **Oct. 27, 2003**

(51) **LOC (8) Cl.** **23-04**

(52) **U.S. Cl.** **D23/411**

(58) **Field of Classification Search** D23/411,
D23/377, 379, 385, 413; D26/59, 51, 81-86,
D26/72

See application file for complete search history.

(56) **References Cited**

U.S. PATENT DOCUMENTS

D476,410 S * 6/2003 Young D23/411

D485,348 S * 1/2004 Stauffer D23/411

* cited by examiner

Primary Examiner—Lisa Lichtenstein

(74) *Attorney, Agent, or Firm*—Parsons & Goltry; Michael W. Goltry; Robert A. Parsons

(57) **CLAIM**

The ornamental design for a combined ceiling fan housing and light kit, as shown and described.

DESCRIPTION

FIG. 1 is a bottom perspective view of a combined ceiling fan housing and light kit showing my new design;

FIG. 2 is a top perspective view thereof;

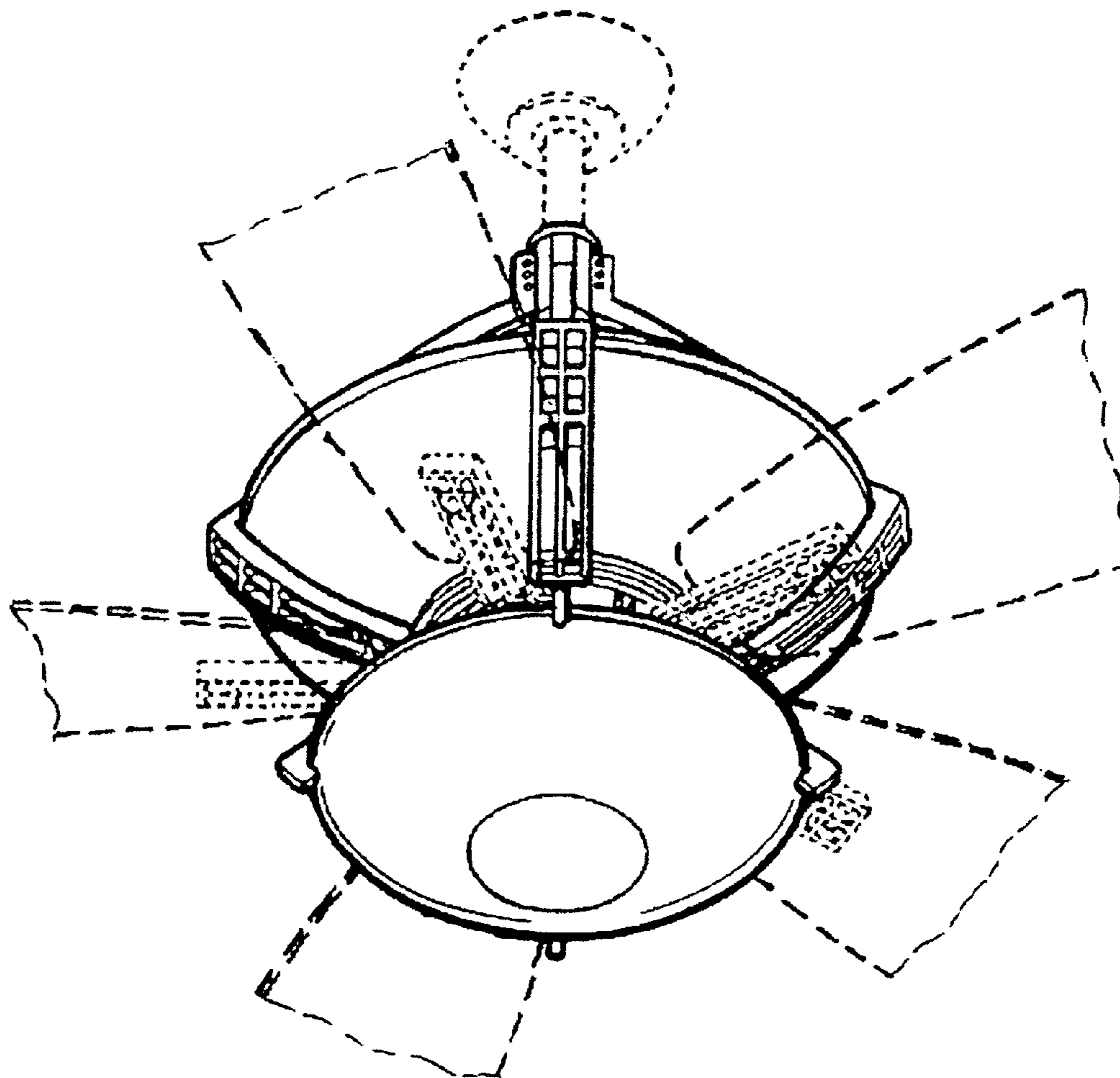
FIG. 3 is a front elevational view thereof, the rear elevational view, the left side elevational view, and the right side elevational view being substantially the same thereof;

FIG. 4 is a reduced top plan view thereof; and,

FIG. 5 is a reduced bottom plan view thereof.

The broken lines in the views show environmental features, which are for illustrative purposes only and form no part of the claimed design.

1 Claim, 4 Drawing Sheets



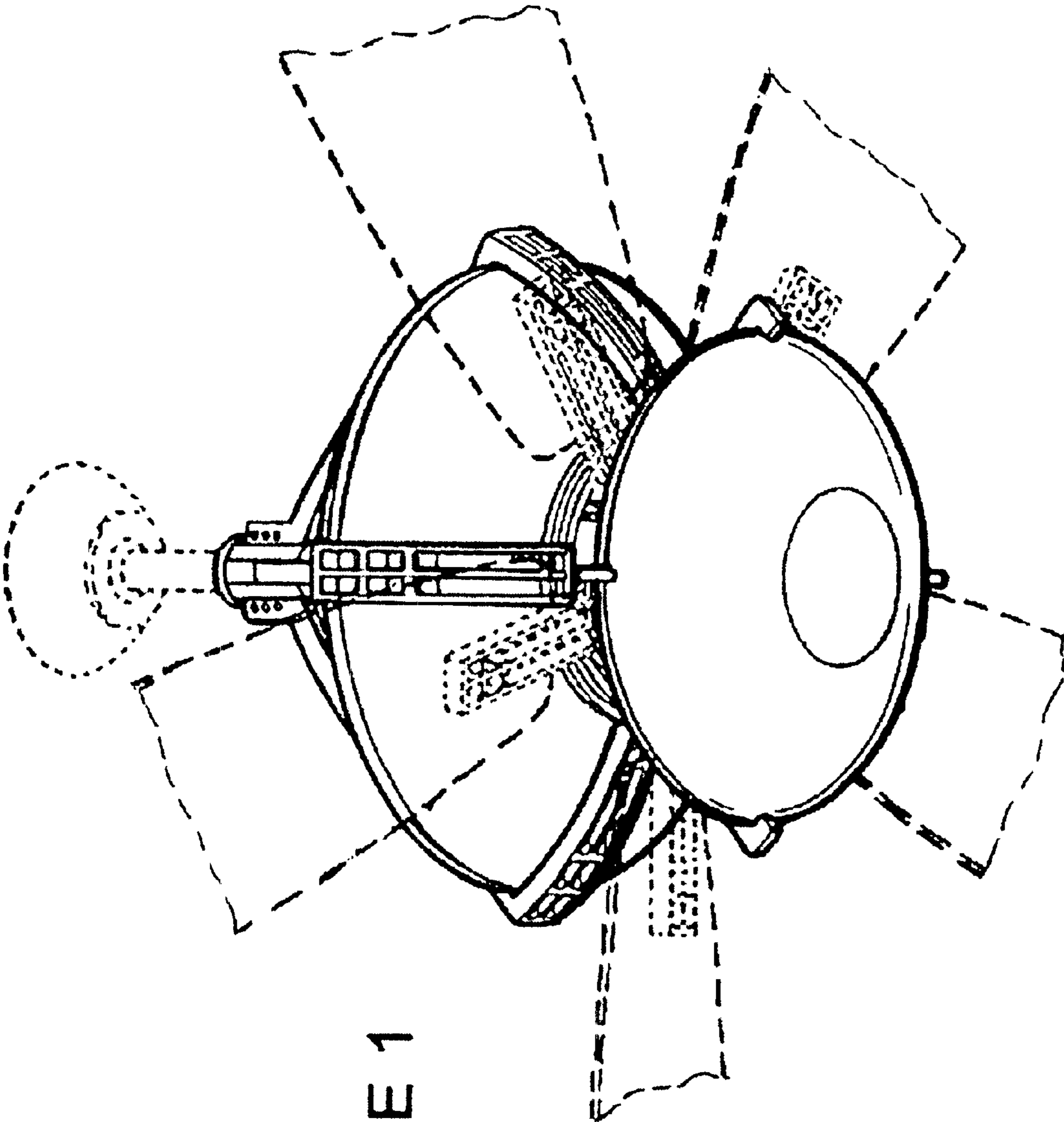


FIGURE 1

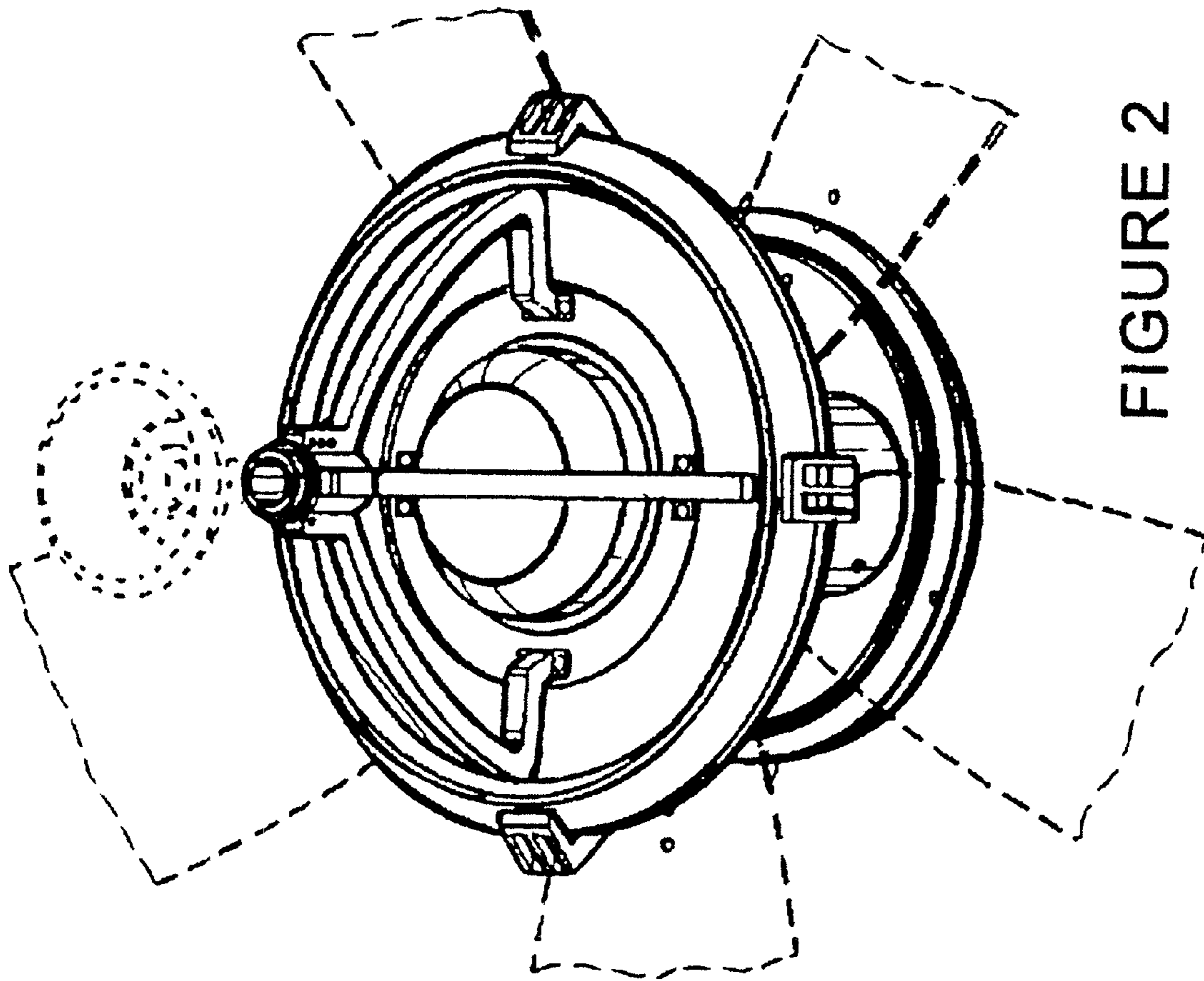


FIGURE 2

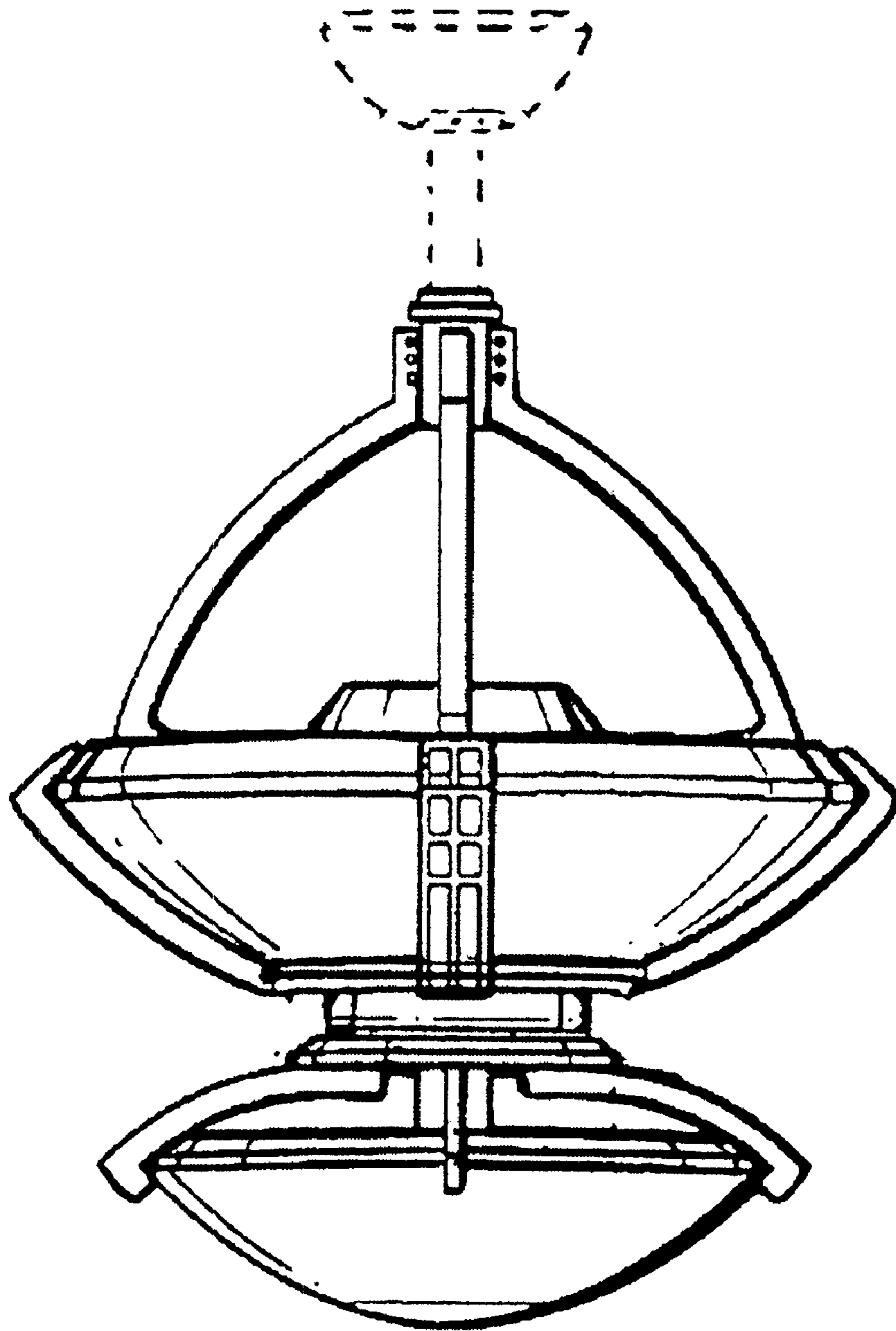


FIGURE 3

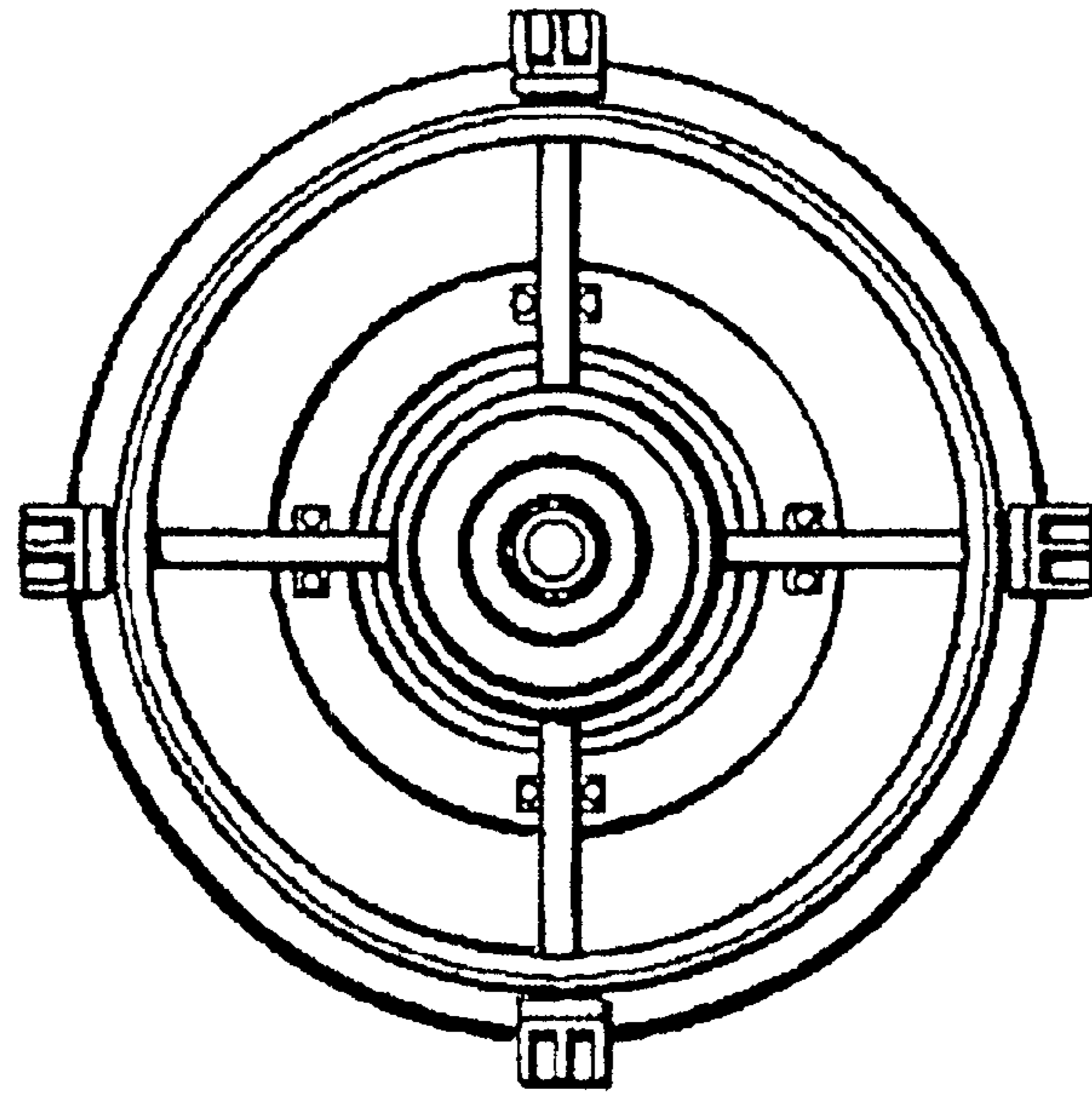


FIGURE 4

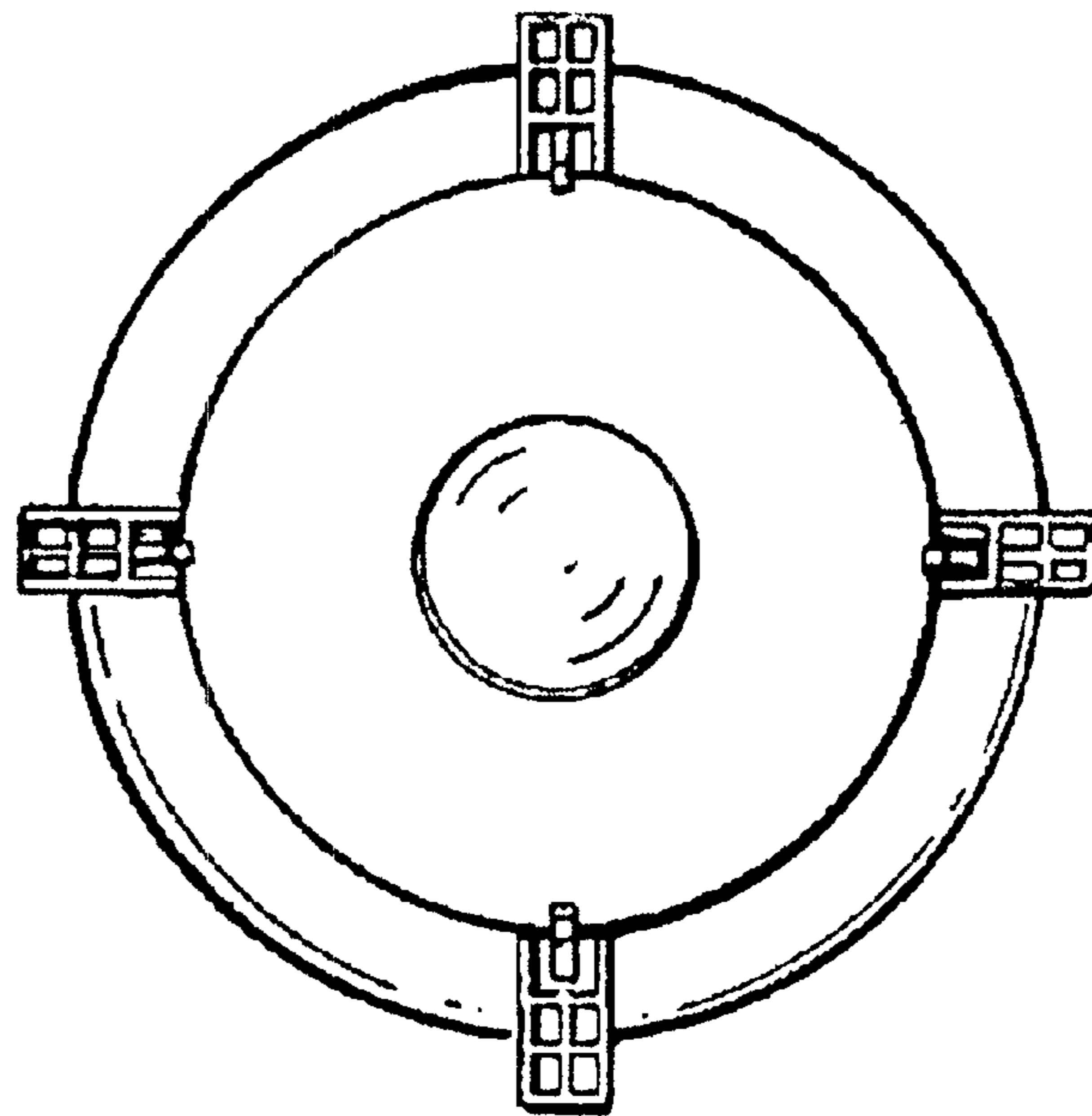


FIGURE 5

UNITED STATES PATENT AND TRADEMARK OFFICE
CERTIFICATE OF CORRECTION

PATENT NO. : Des. 520,632 S
APPLICATION NO. : 29/192559
DATED : May 9, 2006
INVENTOR(S) : Mark Pickett

Page 1 of 1

It is certified that error appears in the above-identified patent and that said Letters Patent is hereby corrected as shown below:

Title Page

Item (76) "Jen-Lung David Tai" should be replaced with
-- Mark Pickett, 1419 EAST PALM STREET,
AL TADENA, CA 91001 --.

Signed and Sealed this

First Day of August, 2006

A handwritten signature in black ink on a dotted background. The signature reads "Jon W. Dudas" in a cursive style.

JON W. DUDAS

Director of the United States Patent and Trademark Office