



US00D520628S

(12) **United States Design Patent** (10) **Patent No.:** **US D520,628 S**
Pickett (45) **Date of Patent:** **** May 9, 2006**

(54) **FAN BLADE BRACKET**

(76) Inventor: **Mark Pickett**, 1419 E. Palm St.,
Altadena, CA (US) 91001

(**) Term: **14 Years**

(21) Appl. No.: **29/190,870**

(22) Filed: **Sep. 26, 2003**

(51) **LOC (8) Cl.** **23-04**

(52) **U.S. Cl.** **D23/411**

(58) **Field of Classification Search** D23/411,
D23/377, 379, 385; 416/5, 210 R
See application file for complete search history.

(56) **References Cited**

U.S. PATENT DOCUMENTS

D483,856 S * 12/2003 Stauffer D23/411
D486,221 S * 2/2004 Hsieh D23/411

* cited by examiner

Primary Examiner—Lisa Lichtenstein
(74) *Attorney, Agent, or Firm*—Parsons & Goltry; Michael
W. Goltry; Robert A. Parsons

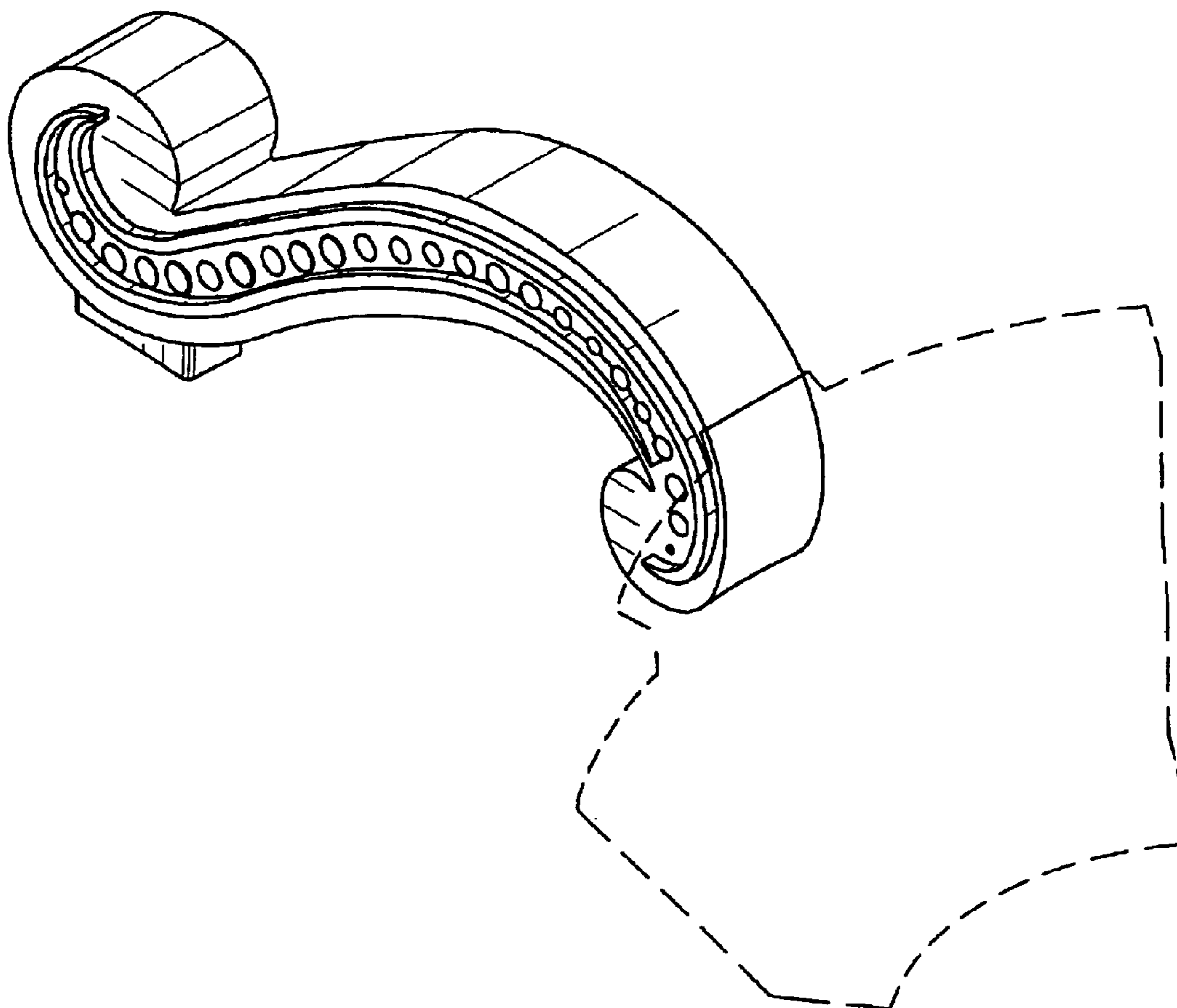
(57) **CLAIM**

The ornamental design for a fan blade bracket, as shown and described.

DESCRIPTION

FIG. 1 is a top perspective view of a fan blade bracket showing my new design;
FIG. 2 is a bottom perspective view thereof;
FIG. 3 is an enlarged left side elevational view thereof, the opposing right side elevational view being substantially the same thereof;
FIG. 4 is a top plan view thereof;
FIG. 5 is a bottom plan view thereof; and,
FIG. 6 is a greatly enlarged front elevational view thereof. The broken lines in the views show environmental features, which are for illustrative purposes only and form no part of the claimed design.

1 Claim, 4 Drawing Sheets



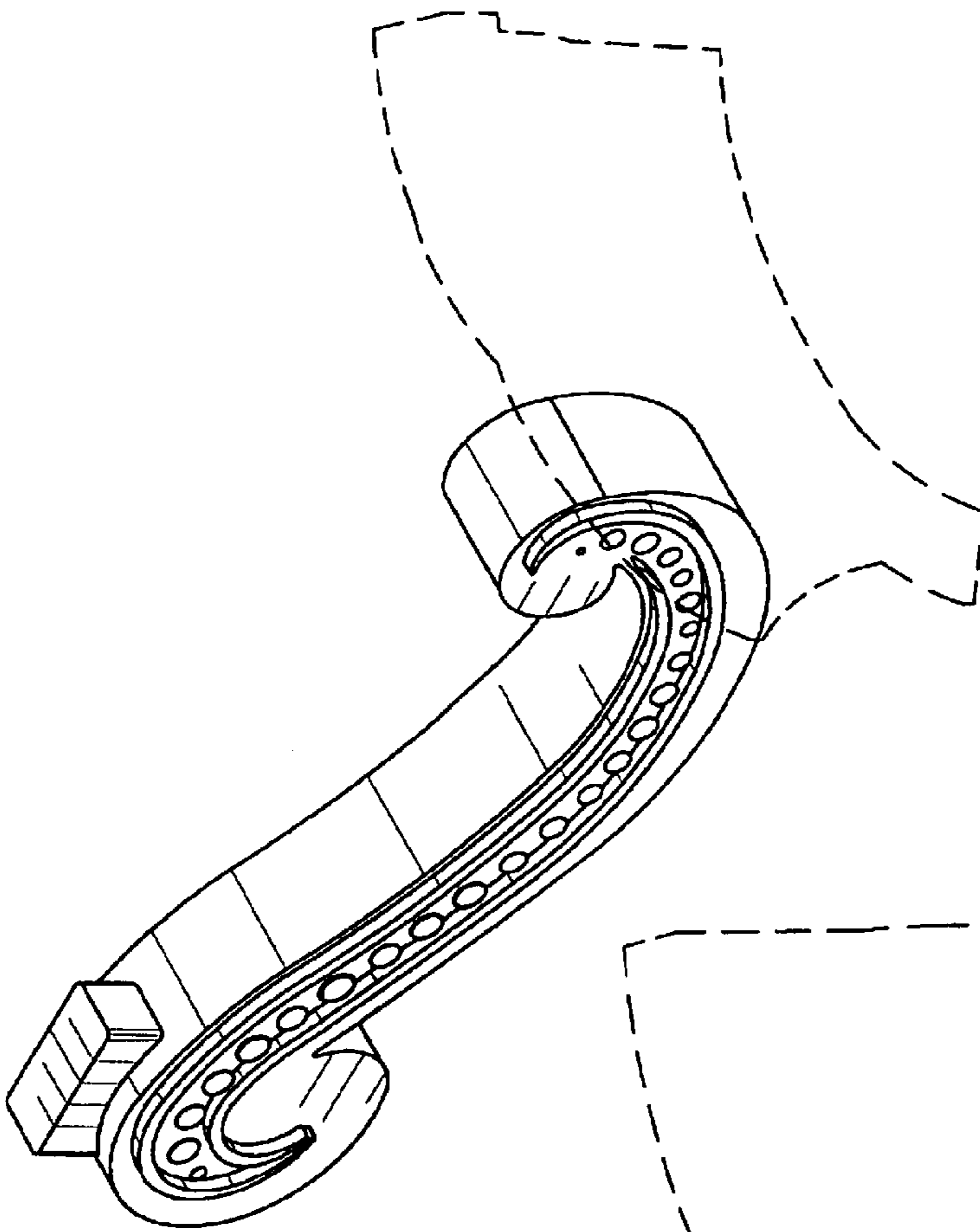


FIG. 2

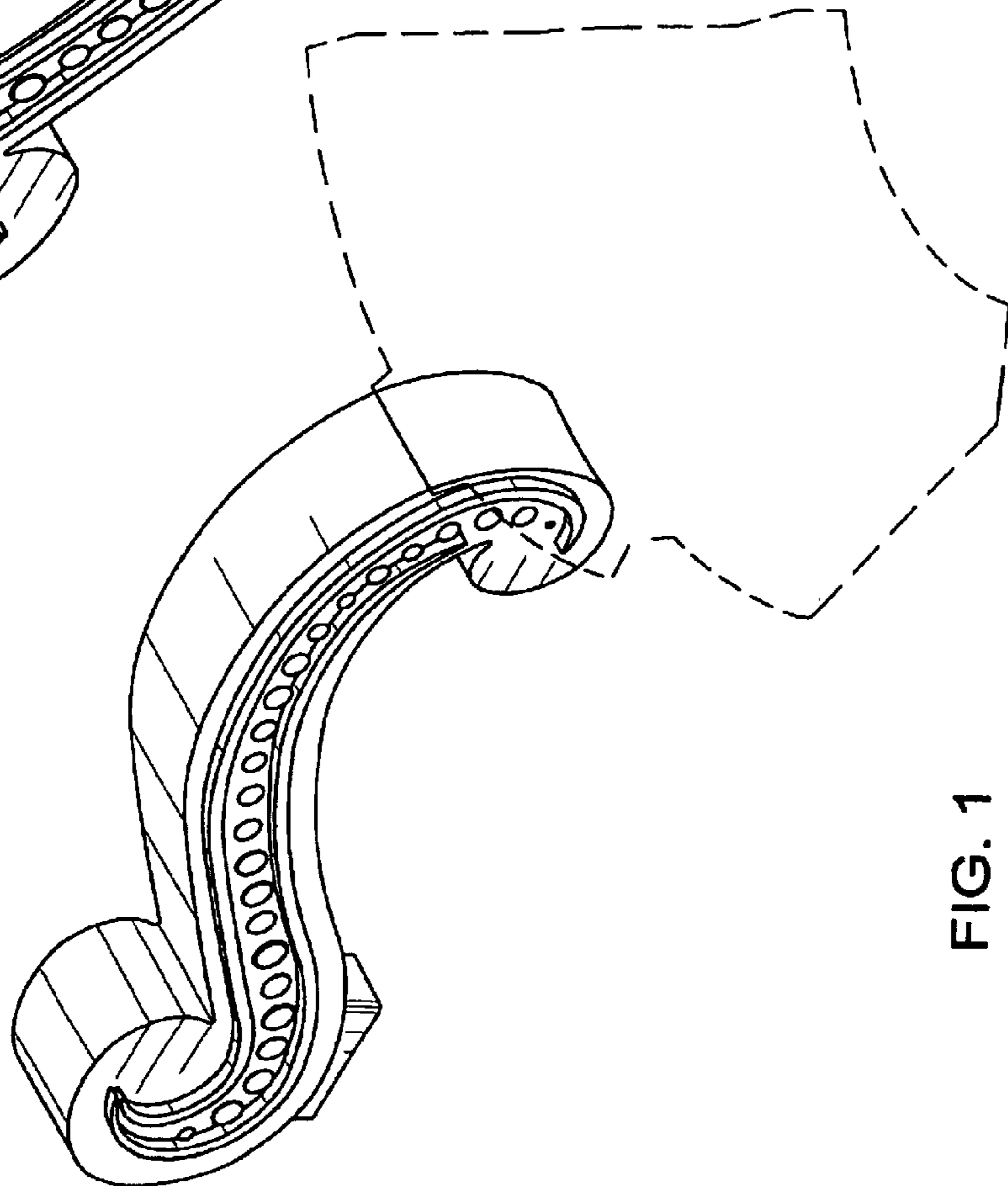


FIG. 1

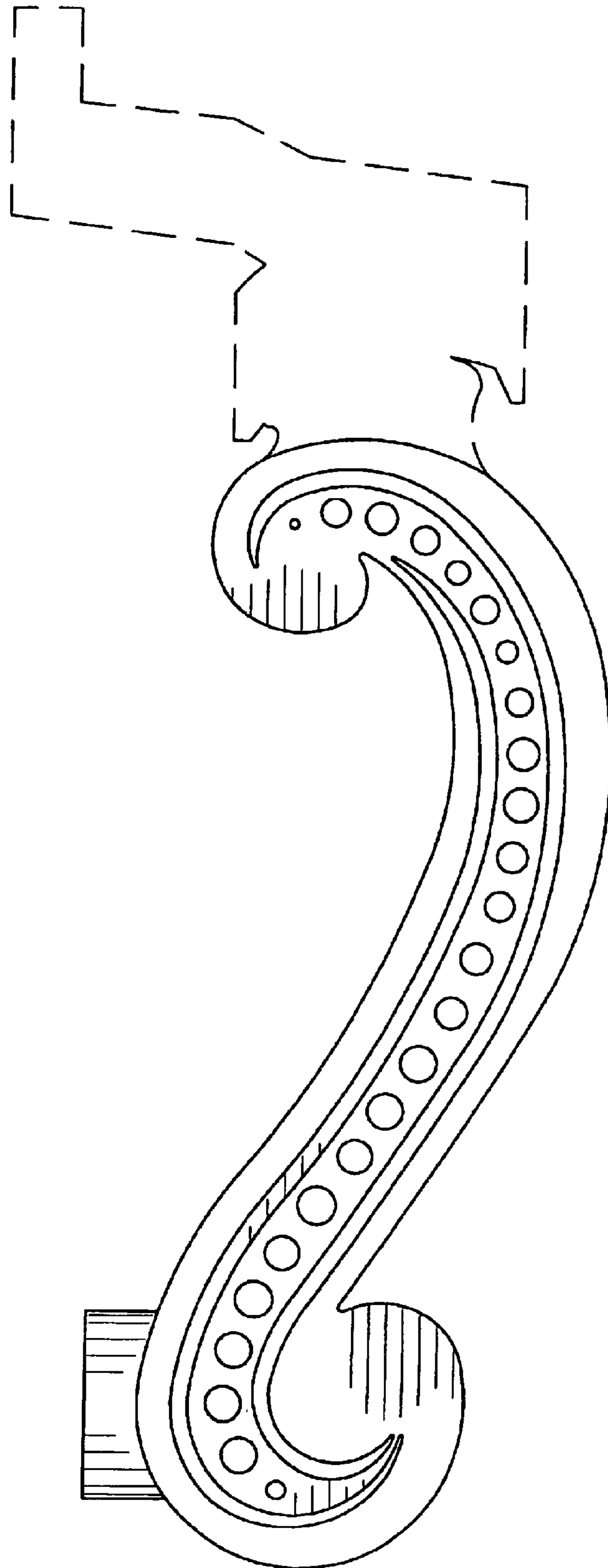


FIG. 3

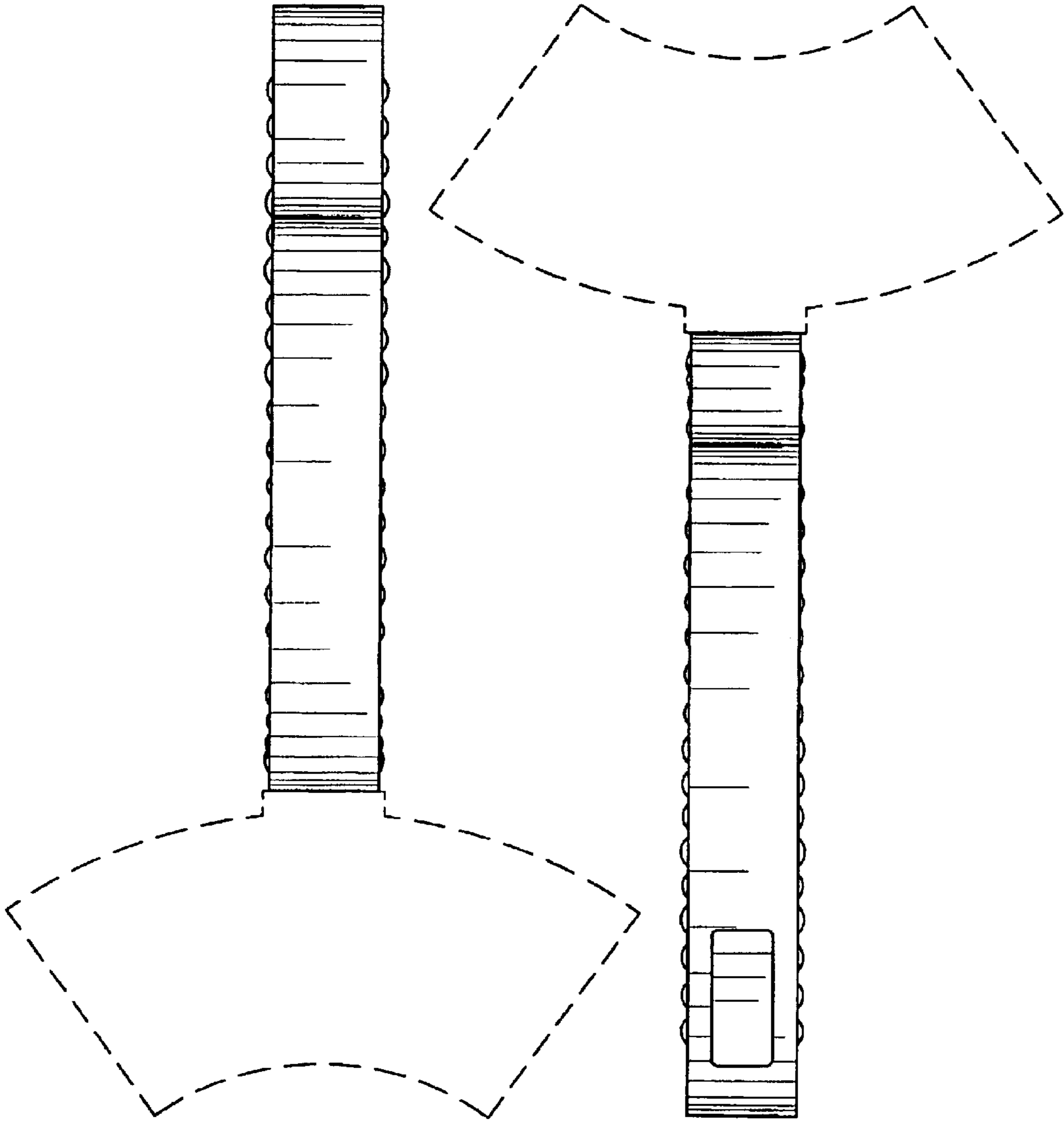


FIG. 4

FIG. 5

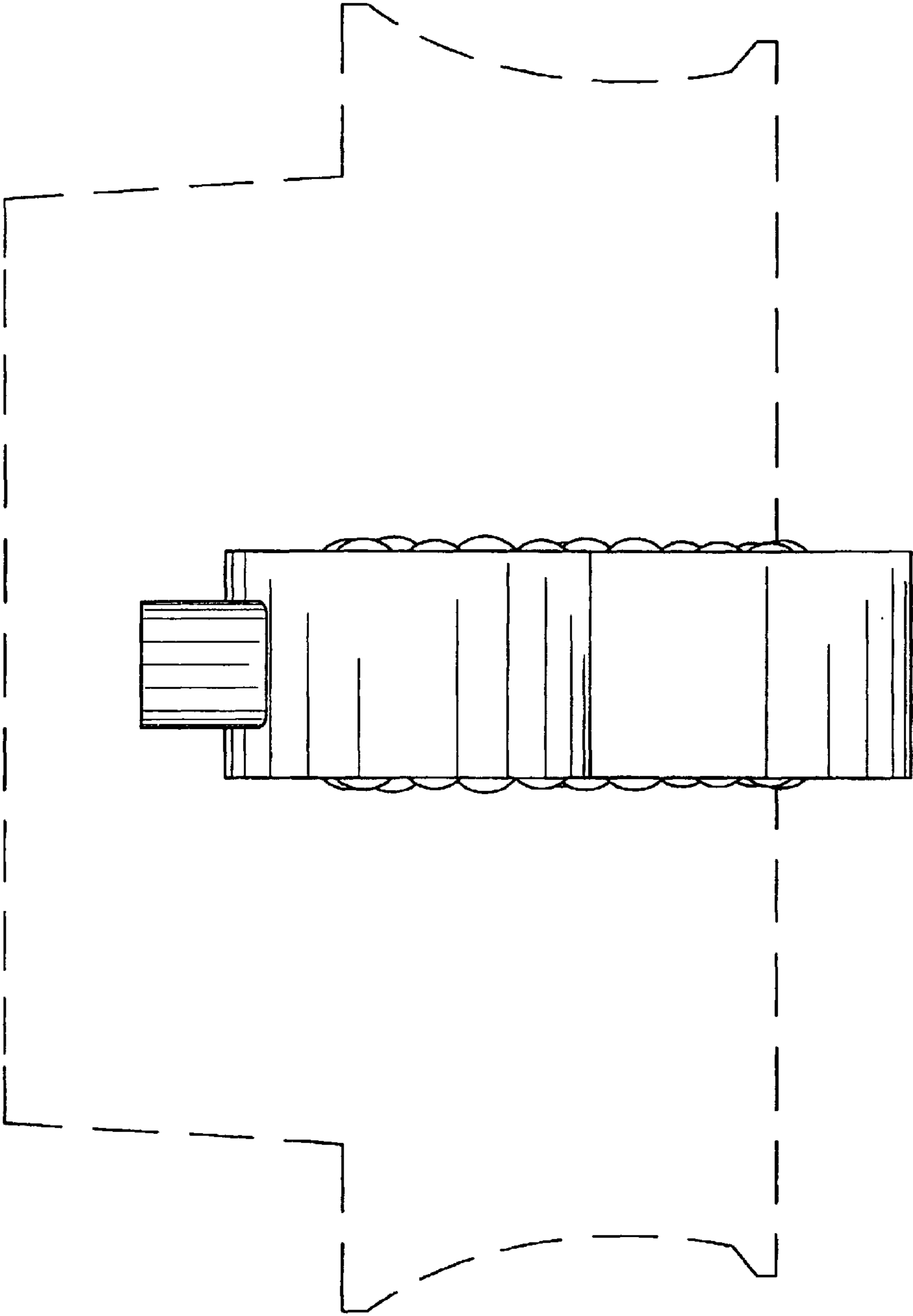


FIG. 6