



US00D520622S

(12) **United States Design Patent**  
**Yamamoto et al.**

(10) **Patent No.:** **US D520,622 S**

(45) **Date of Patent:** **\*\* May 9, 2006**

(54) **CHEMICAL DIFFUSING APPARATUS**

(75) Inventors: **Kazunori Yamamoto**, Hiroshima (JP);  
**Takashi Sugiyama**, Hiroshima (JP)

(73) Assignee: **Fumakilla Limited**, Tokyo (JP)

(\*\*) Term: **14 Years**

(21) Appl. No.: **29/204,736**

(22) Filed: **May 6, 2004**

(30) **Foreign Application Priority Data**

Dec. 19, 2003 (JP) ..... 2003-037548

(51) **LOC (8) Cl.** ..... **23-04**

(52) **U.S. Cl.** ..... **D23/366**

(58) **Field of Classification Search** ..... 342/389–394,  
342/398, 401, 403, 405, 406; 239/135, 136,  
239/34, 37, 41, 42, 53, 56–58; 261/DIG. 17,  
261/DIG. 65, DIG. 88, DIG. 89; D23/355–369  
See application file for complete search history.

(56) **References Cited**

**U.S. PATENT DOCUMENTS**

D269,997 S	*	8/1983	Seager	.....	D23/366
4,432,938 A	*	2/1984	Meetze, Jr.	.....	422/49
D340,513 S	*	10/1993	Stahel et al.	.....	D23/364
D349,334 S	*	8/1994	O'Grady et al.	.....	D23/360
D372,078 S	*	7/1996	Cunning	.....	D23/356
5,700,430 A	*	12/1997	Bonnema et al.	.....	422/125
D398,047 S	*	9/1998	Chen	.....	D23/366
5,928,605 A	*	7/1999	Bonnema et al.	.....	422/5
D465,019 S	*	10/2002	Wu	.....	D23/366
D477,391 S	*	7/2003	Chen	.....	D23/366
D485,340 S	*	1/2004	Wu	.....	D23/366

D485,341 S \* 1/2004 Wu ..... D23/366  
2005/0175331 A1 \* 8/2005 Tam et al. .... 392/405

\* cited by examiner

*Primary Examiner*—Sandra S. Snapp

(74) *Attorney, Agent, or Firm*—Armstrong, Kratz, Quintos,  
Hanson & Brooks, LLP

(57) **CLAIM**

The ornamental design for a chemical diffusing apparatus, as shown and described.

**DESCRIPTION**

FIG. 1 is a front view of the chemical diffusing apparatus of the present invention, the hook element being removed for ease of illustration;  
FIG. 2 is a right side view, the hook element removed for ease of illustration;  
FIG. 3 is a left side view, the hook element removed for ease of illustration;  
FIG. 4 is a top view, the hook element removed for ease of illustration;  
FIG. 5 is a bottom view, the hook element removed for ease of illustration;  
FIG. 6 is a back view, the hook element removed for ease of illustration;  
FIG. 7 is a cross-sectional view taken along lines VII—VII in FIG. 1, the hook element removed for ease of illustration;  
FIG. 8 is a perspective view, the hook element removed for ease of illustration;  
FIG. 9 is a view showing the chemical diffusing apparatus in a standing position; and,  
FIG. 10 is a view showing the chemical diffusing apparatus is a hanging position.

**1 Claim, 9 Drawing Sheets**

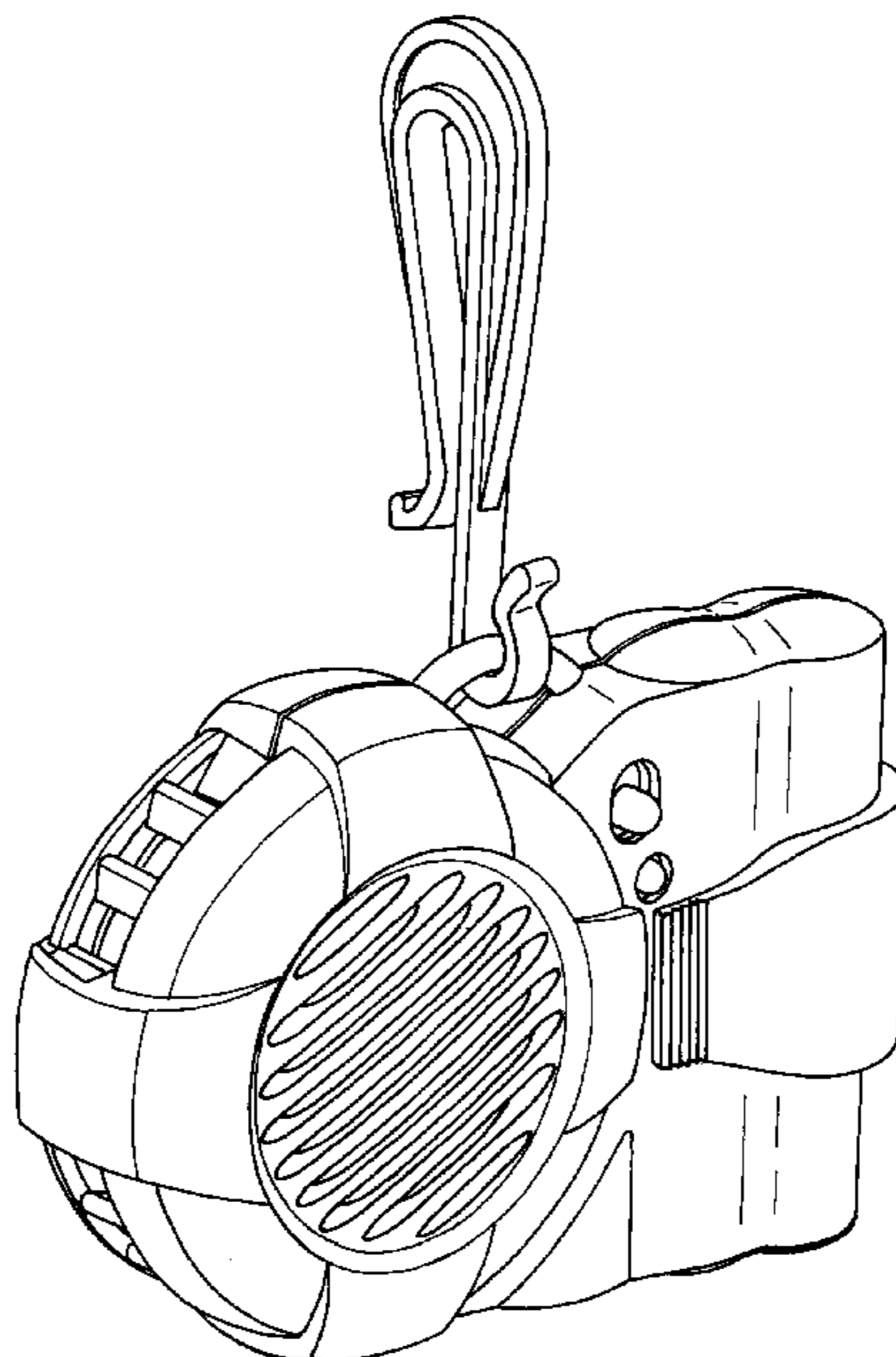


FIG. 1

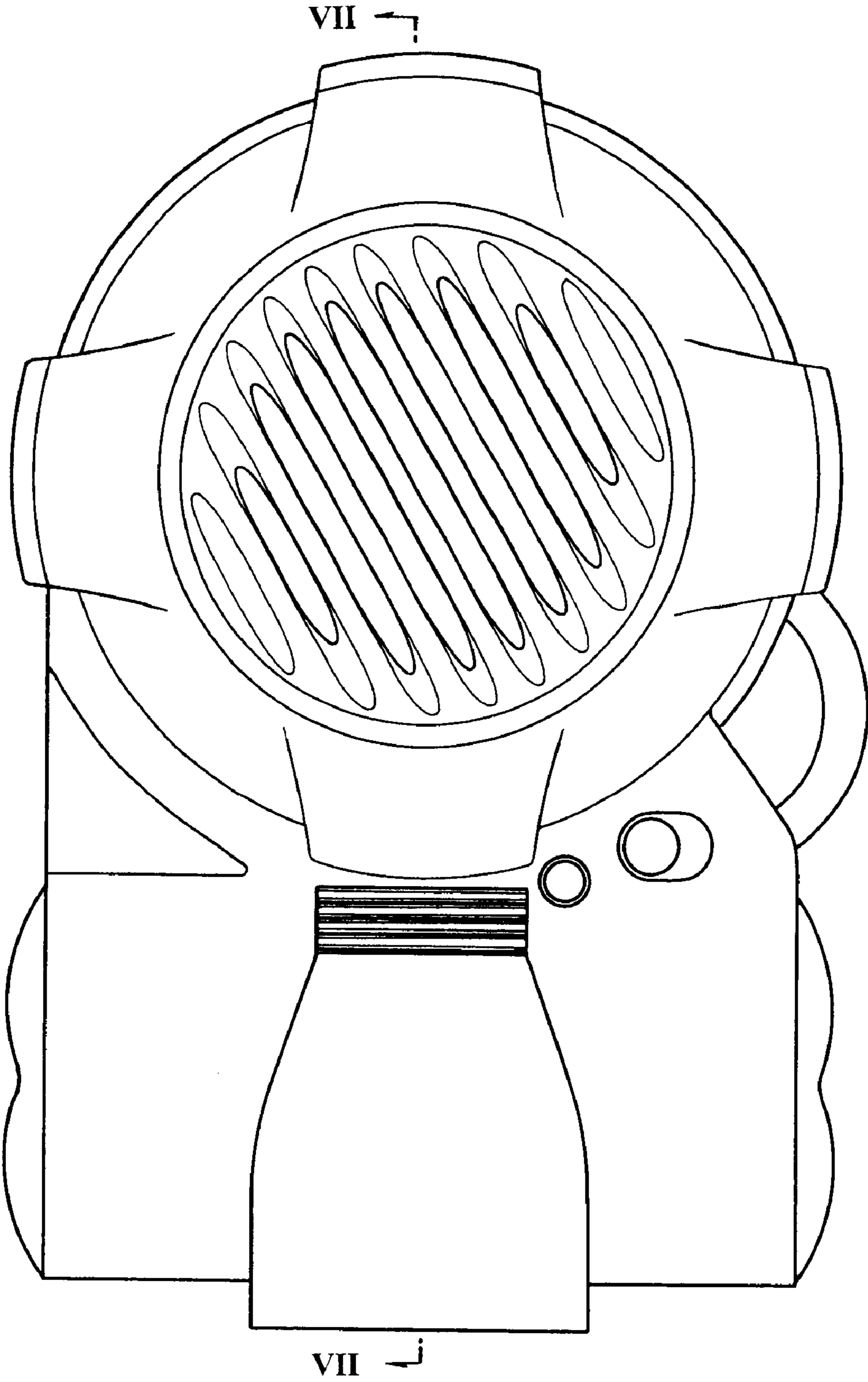


FIG. 2

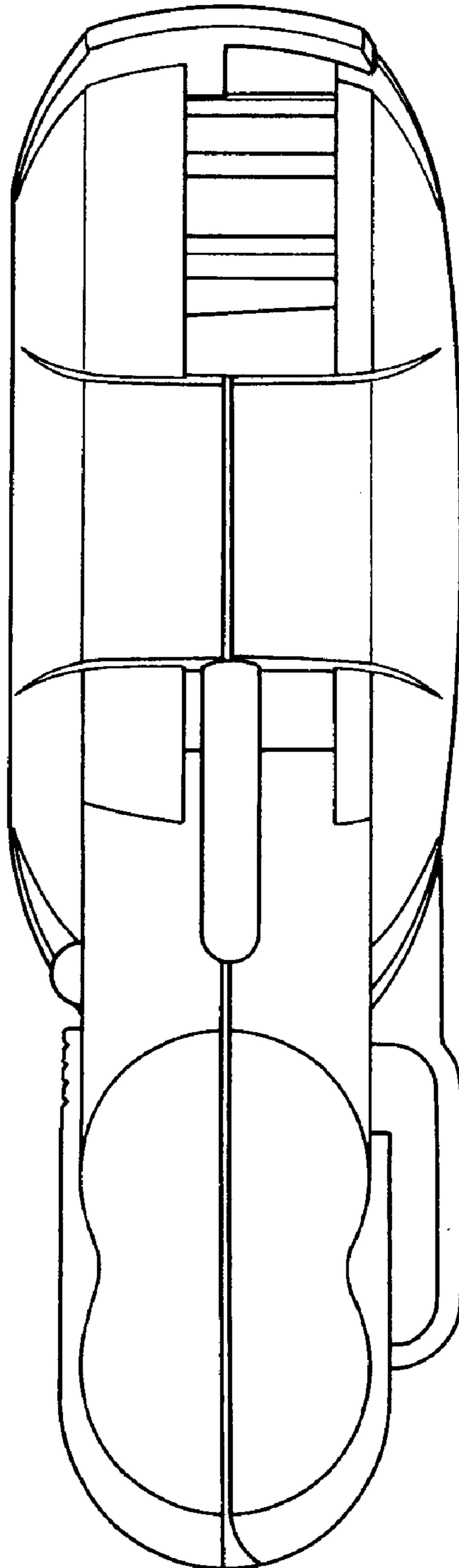


FIG. 3

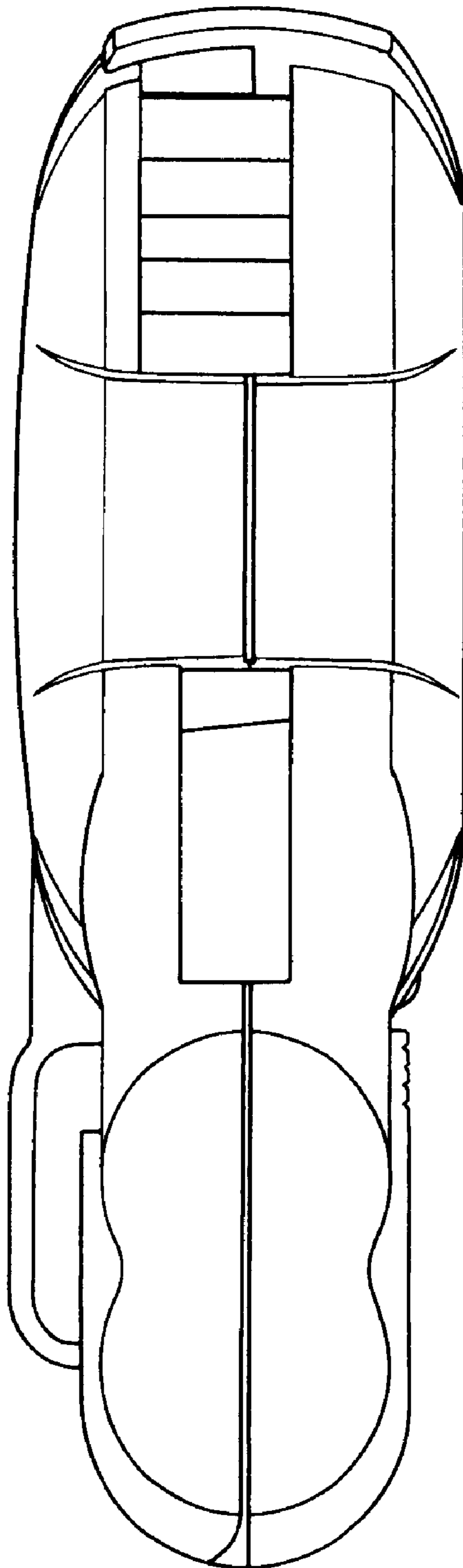


FIG. 4

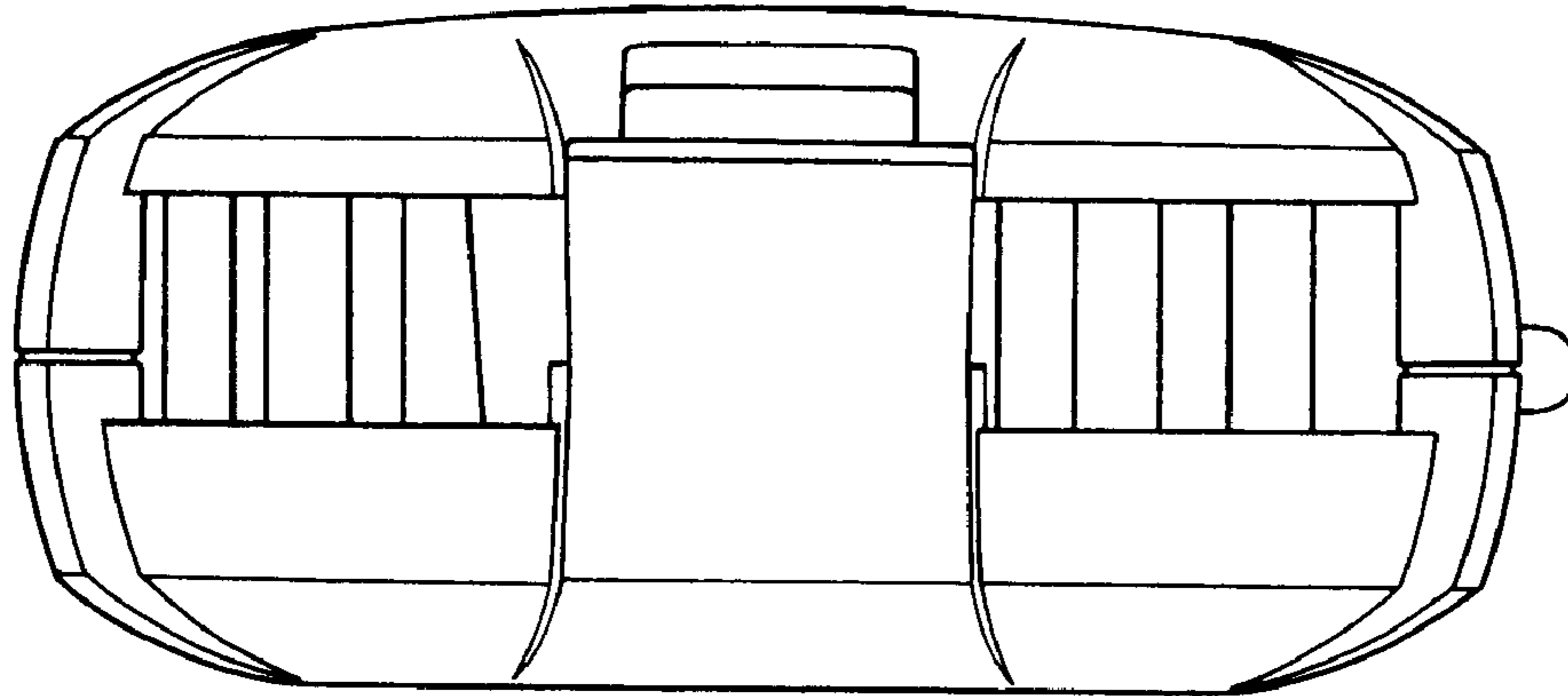


FIG. 5

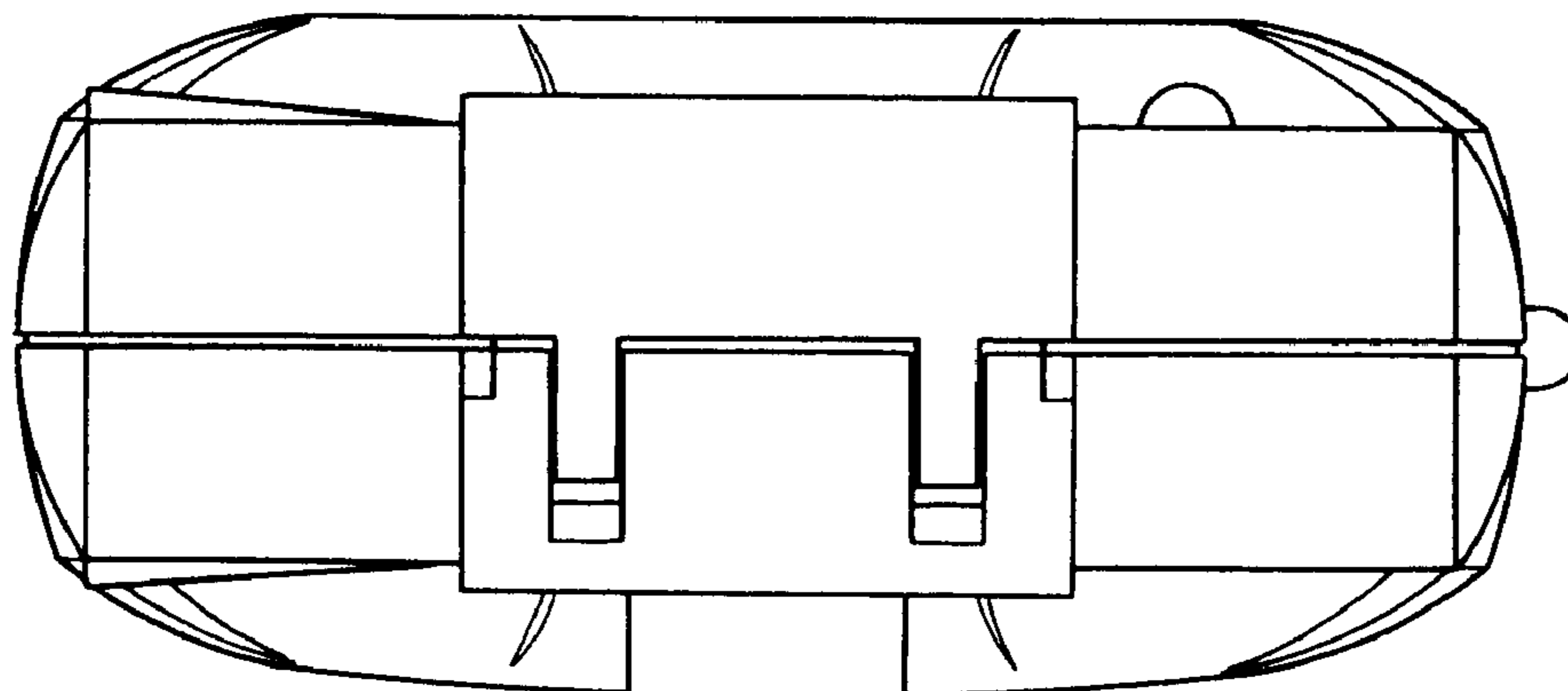


FIG. 6

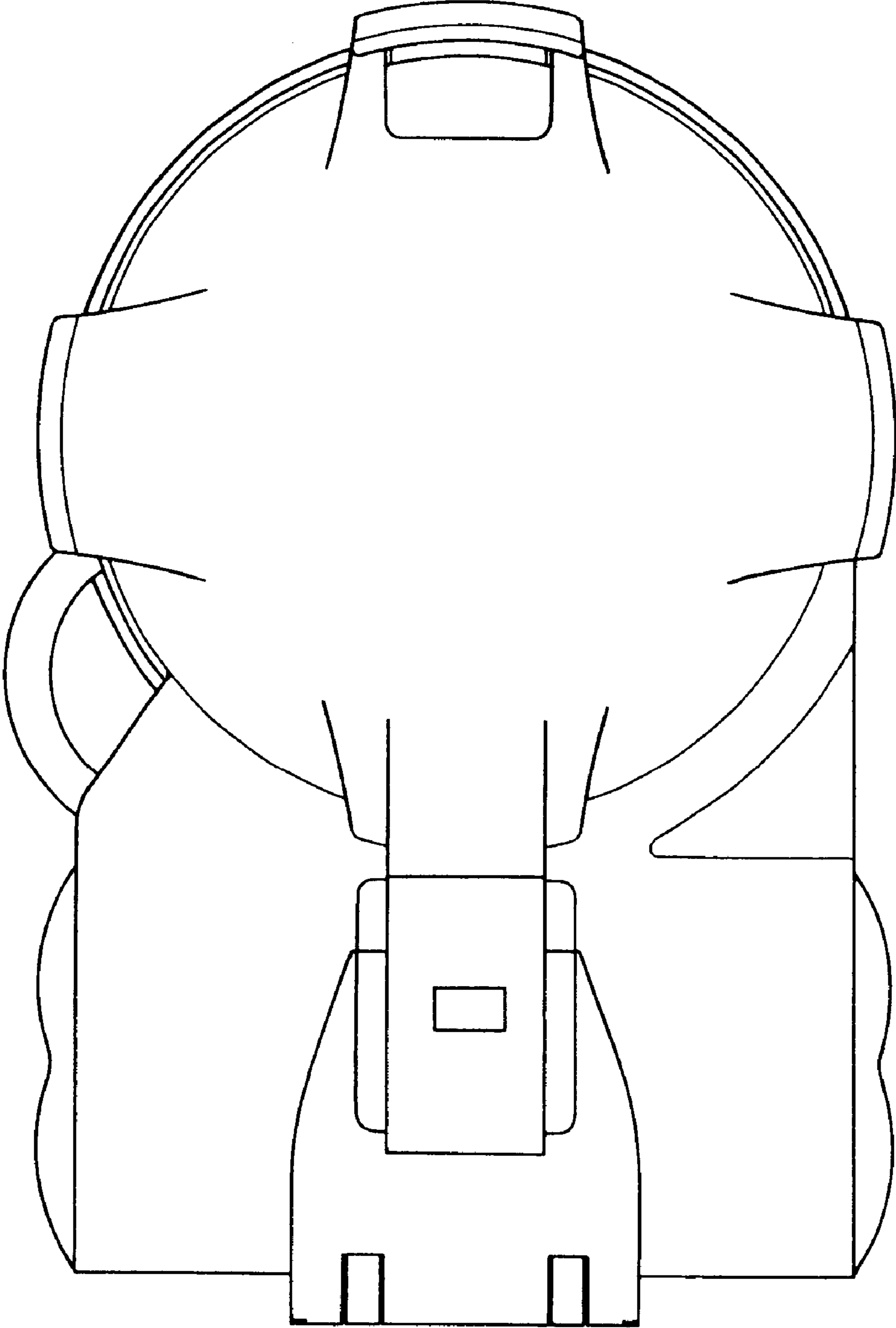
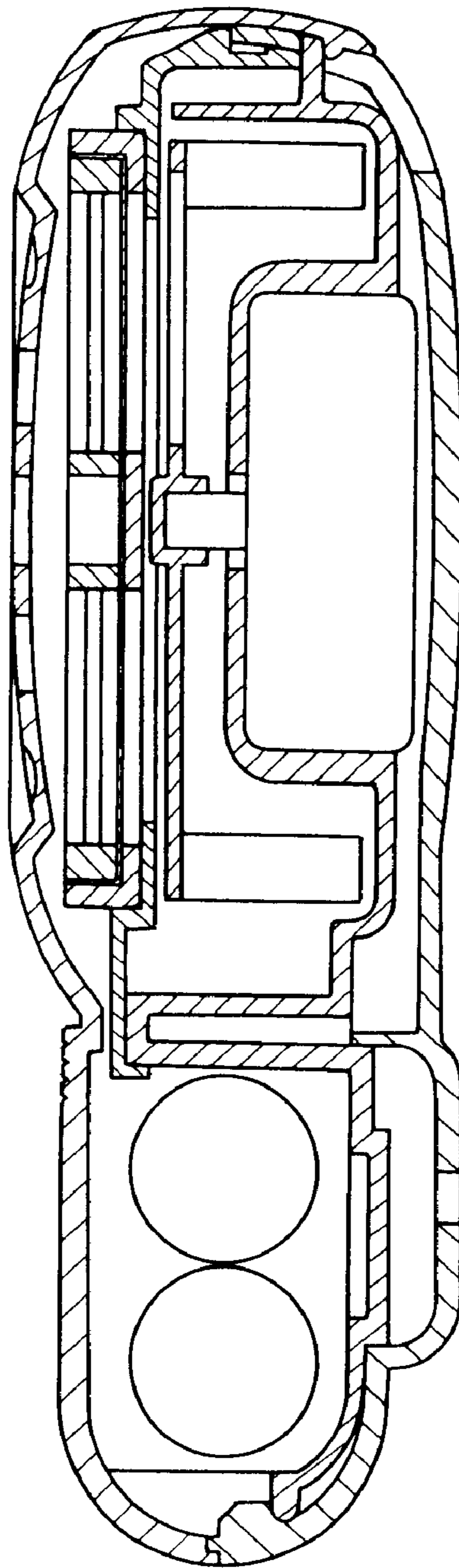


FIG. 7



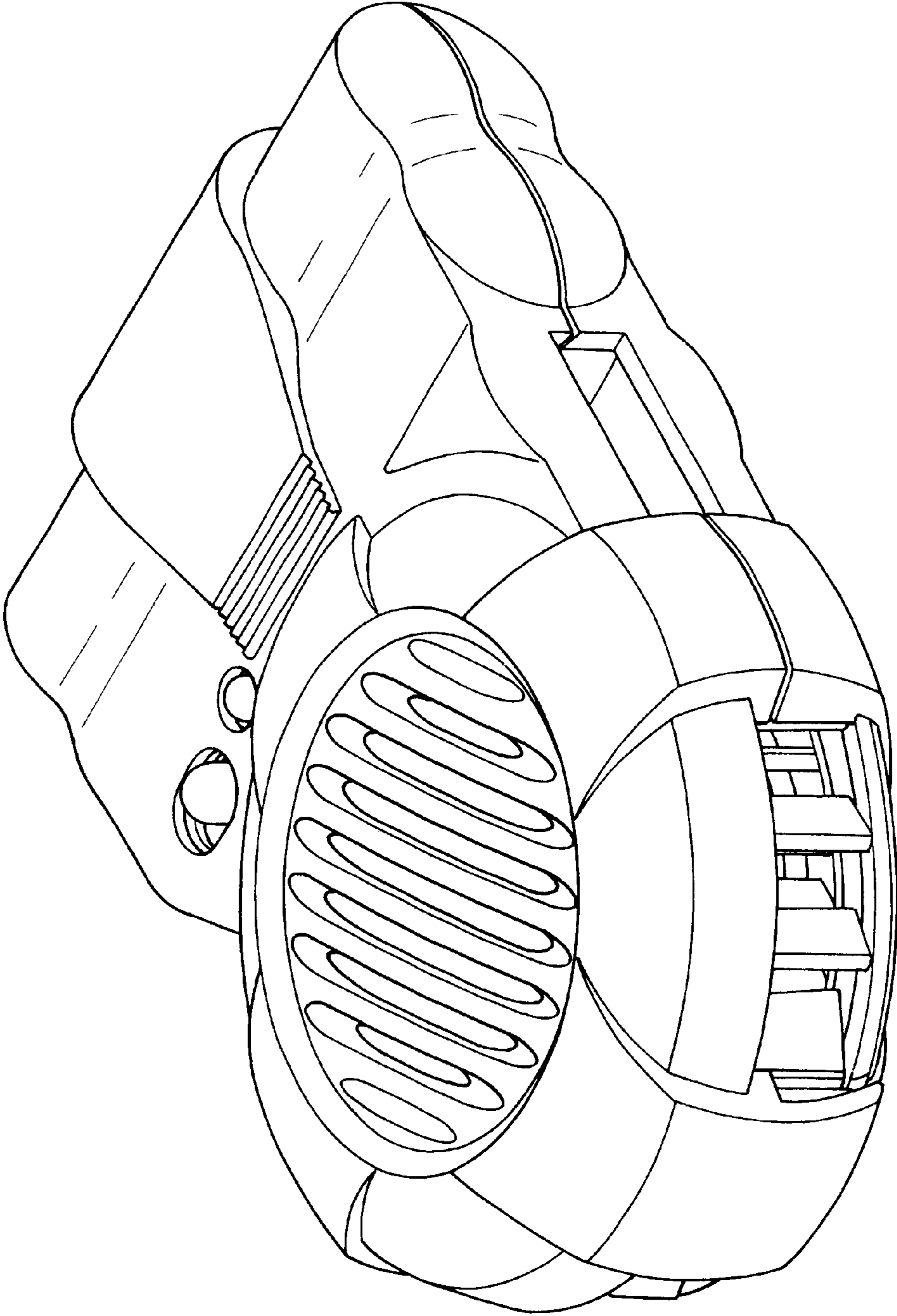


FIG. 8



FIG. 9

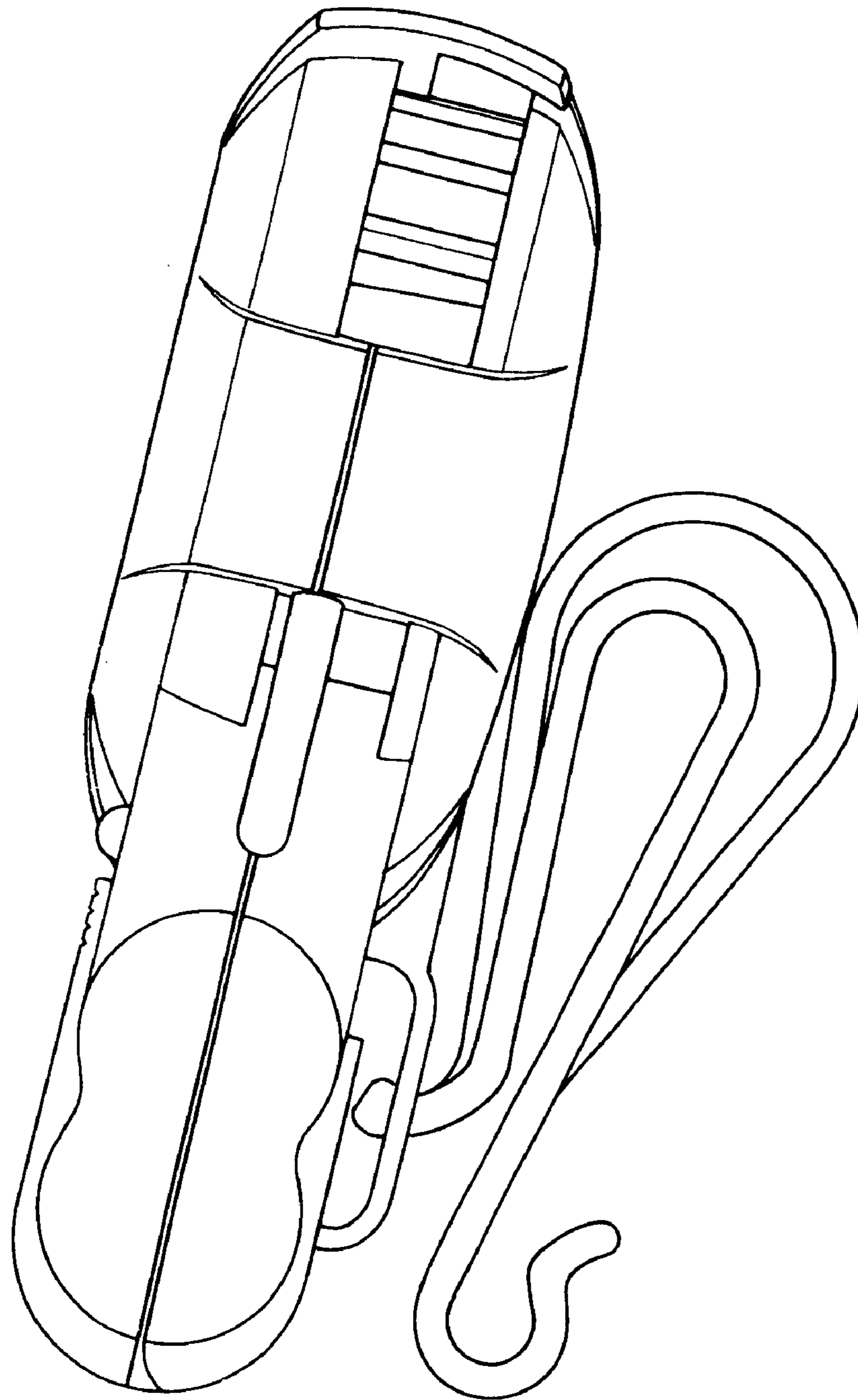


FIG. 10

