



US00D520621S

(12) **United States Design Patent**  
**Moser, III**

(10) **Patent No.:** **US D520,621 S**

(45) **Date of Patent:** **\*\* May 9, 2006**

(54) **OCTAGON FILTER FOR COMPRESSOR -HV-50**

D400,973 S \* 11/1998 Hall et al. .... D23/365  
D400,974 S \* 11/1998 Hall et al. .... D23/365  
D476,725 S \* 7/2003 Dushek et al. .... D23/365

(75) Inventor: **John J. Moser, III**, Scottsdale, AZ (US)

\* cited by examiner

(73) Assignee: **Q Industries, Inc.**, Denver, CO (US)

*Primary Examiner*—Robin Webster

(74) *Attorney, Agent, or Firm*—Malloy & Malloy, P.A.

(\*\*) Term: **14 Years**

(57) **CLAIM**

(21) Appl. No.: **29/218,568**

The ornamental design for an octagon filter for compressor -HV-50, as shown and described.

(22) Filed: **Dec. 3, 2004**

**DESCRIPTION**

(51) **LOC (8) Cl.** ..... **23-01**

(52) **U.S. Cl.** ..... **D23/365**

(58) **Field of Classification Search** ..... D23/209,  
D23/365; 55/529; D8/397

See application file for complete search history.

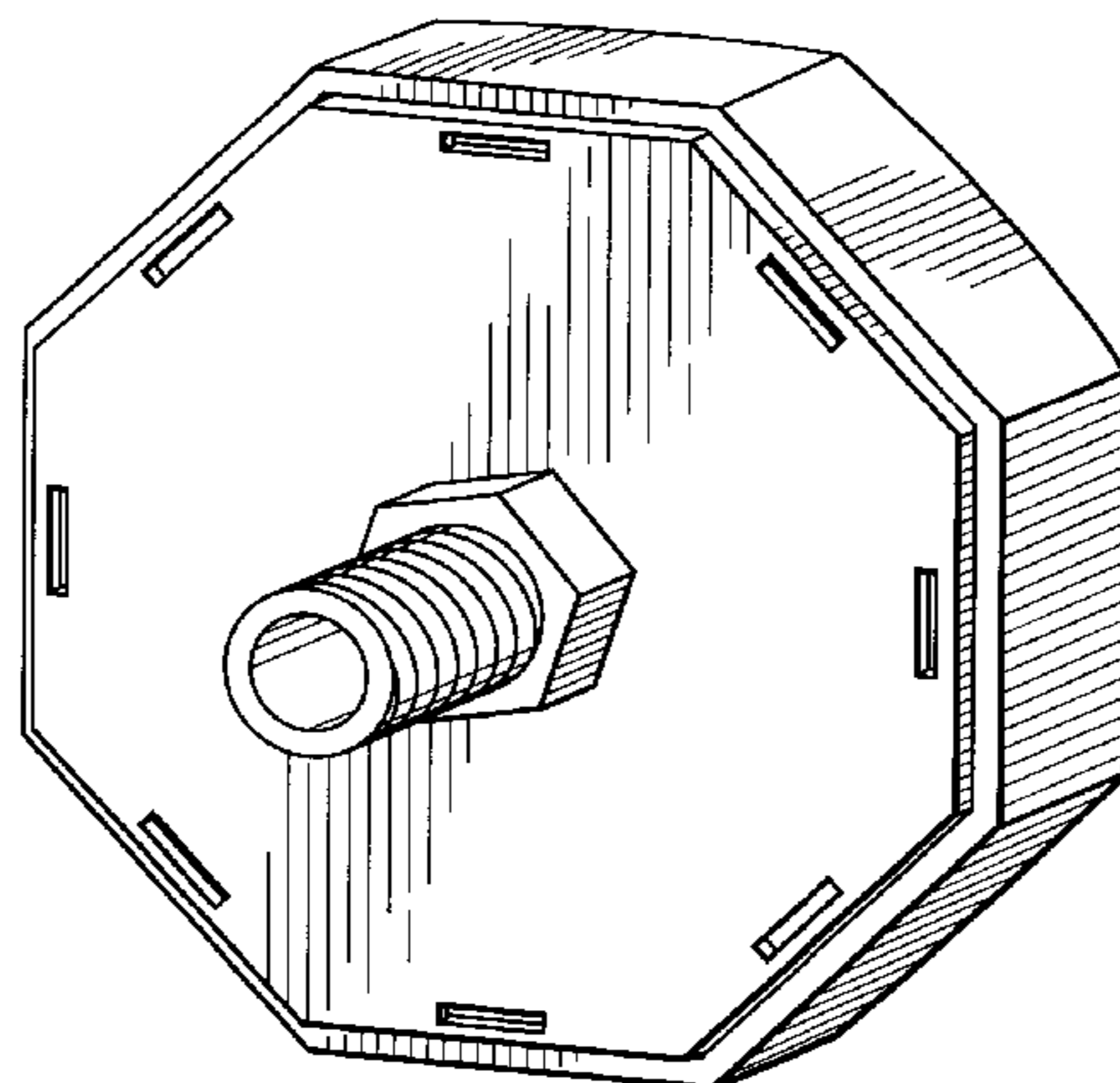
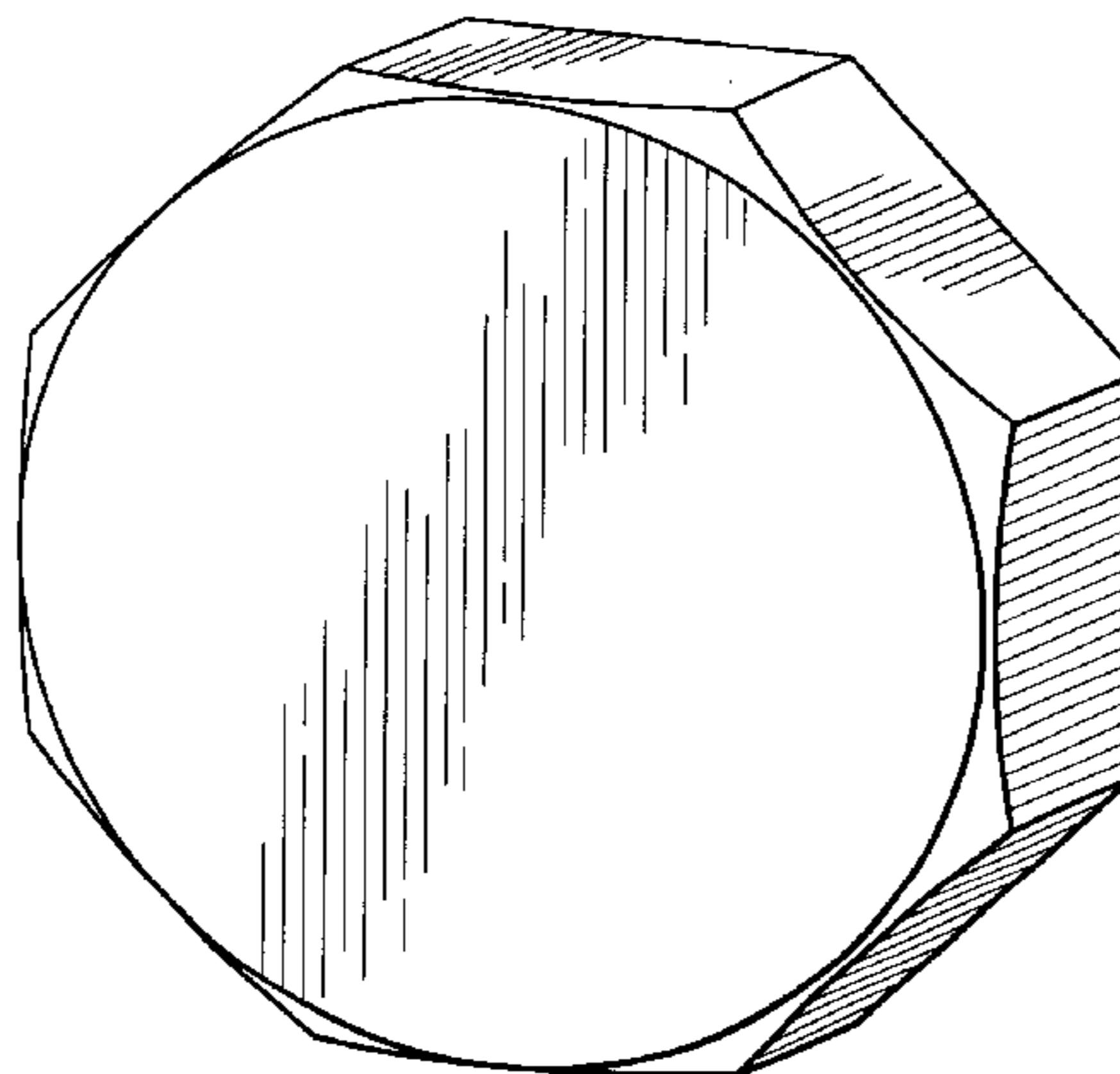
FIG. 1 is a front perspective view illustrating my design for a octagon filter for compressor -HV-50;  
FIG. 2 is a front elevational view thereof;  
FIG. 3 is a left side view thereof;  
FIG. 4 is a top view thereof;  
FIG. 5 is a right side view thereof;  
FIG. 6 is a bottom view thereof;  
FIG. 7 is a rear elevational thereof; and,  
FIG. 8 is a rear perspective view thereof.

(56) **References Cited**

**U.S. PATENT DOCUMENTS**

D289,319 S \* 4/1987 Kujawski et al. .... D23/278  
D295,370 S \* 4/1988 Carlo et al. .... D8/397

**1 Claim, 3 Drawing Sheets**



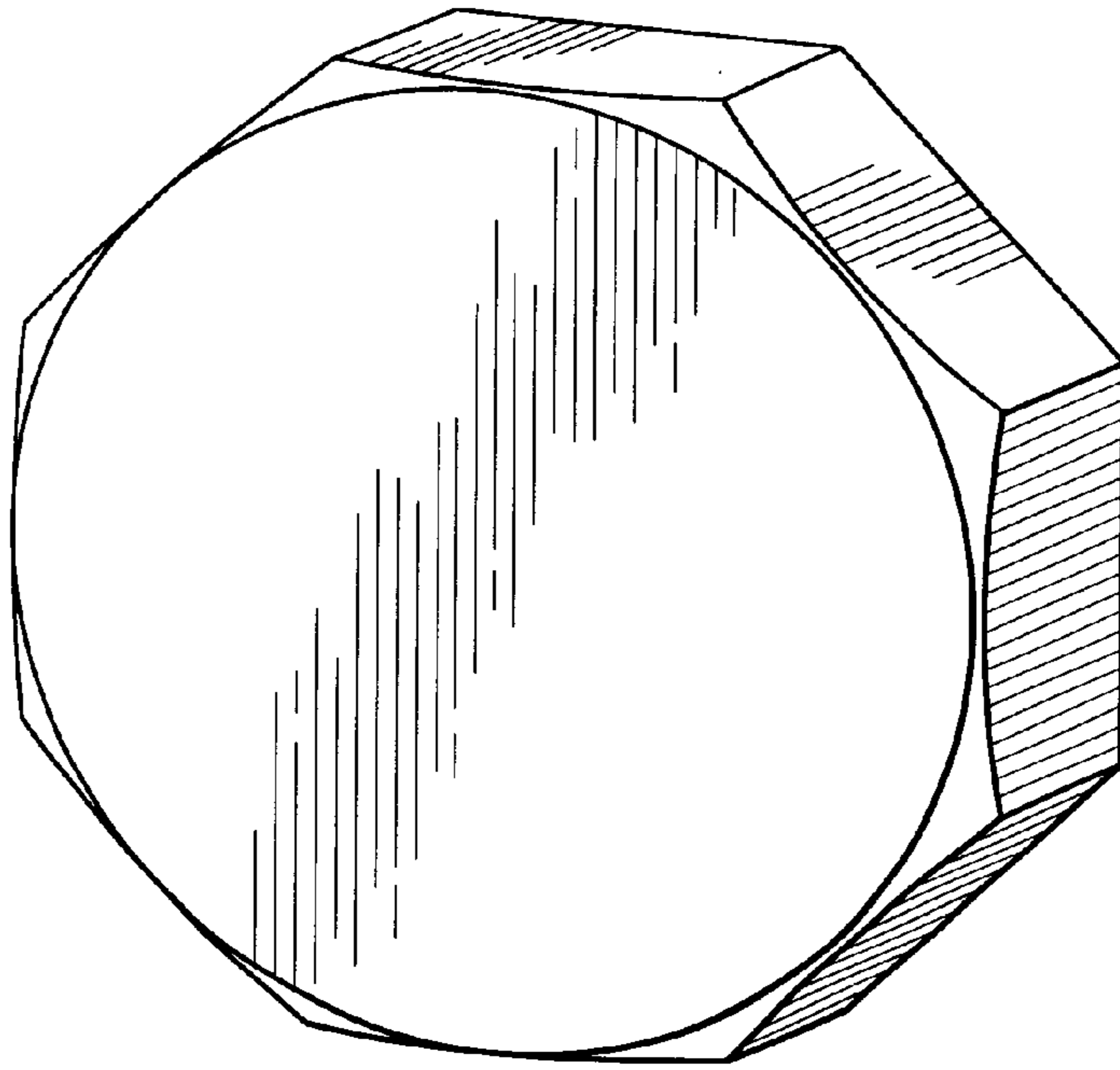


FIG. 1

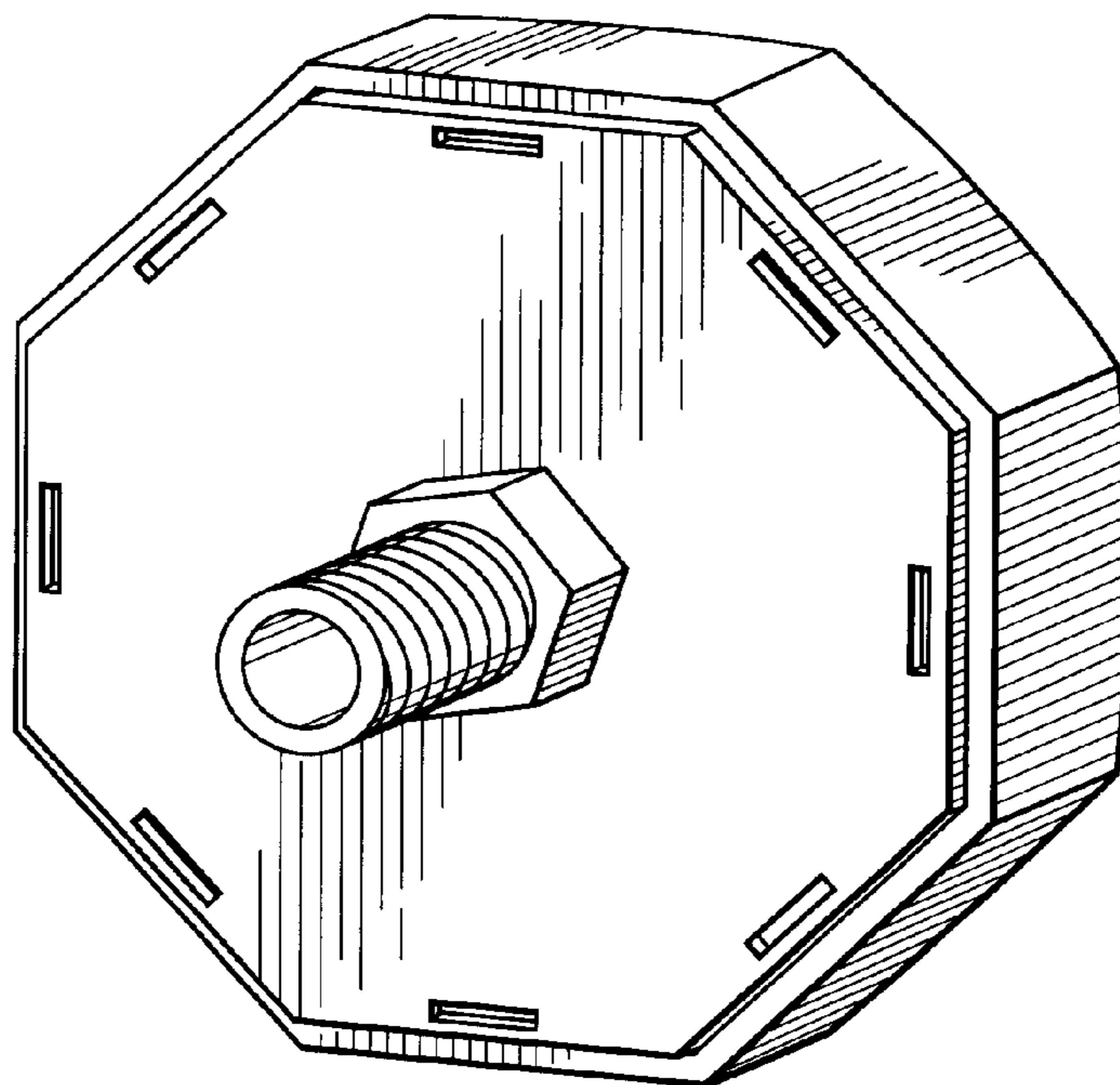


FIG. 8

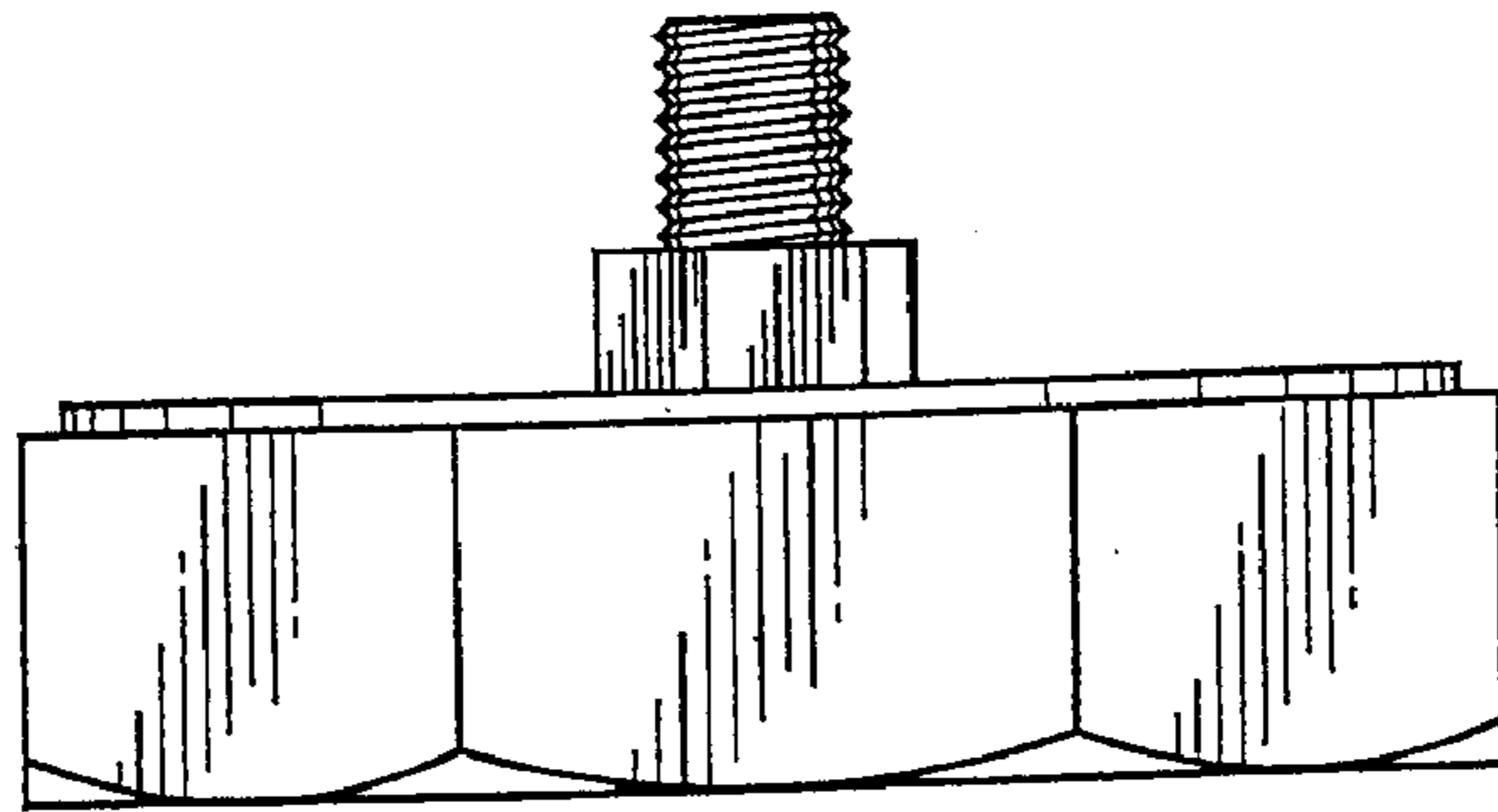


FIG. 4

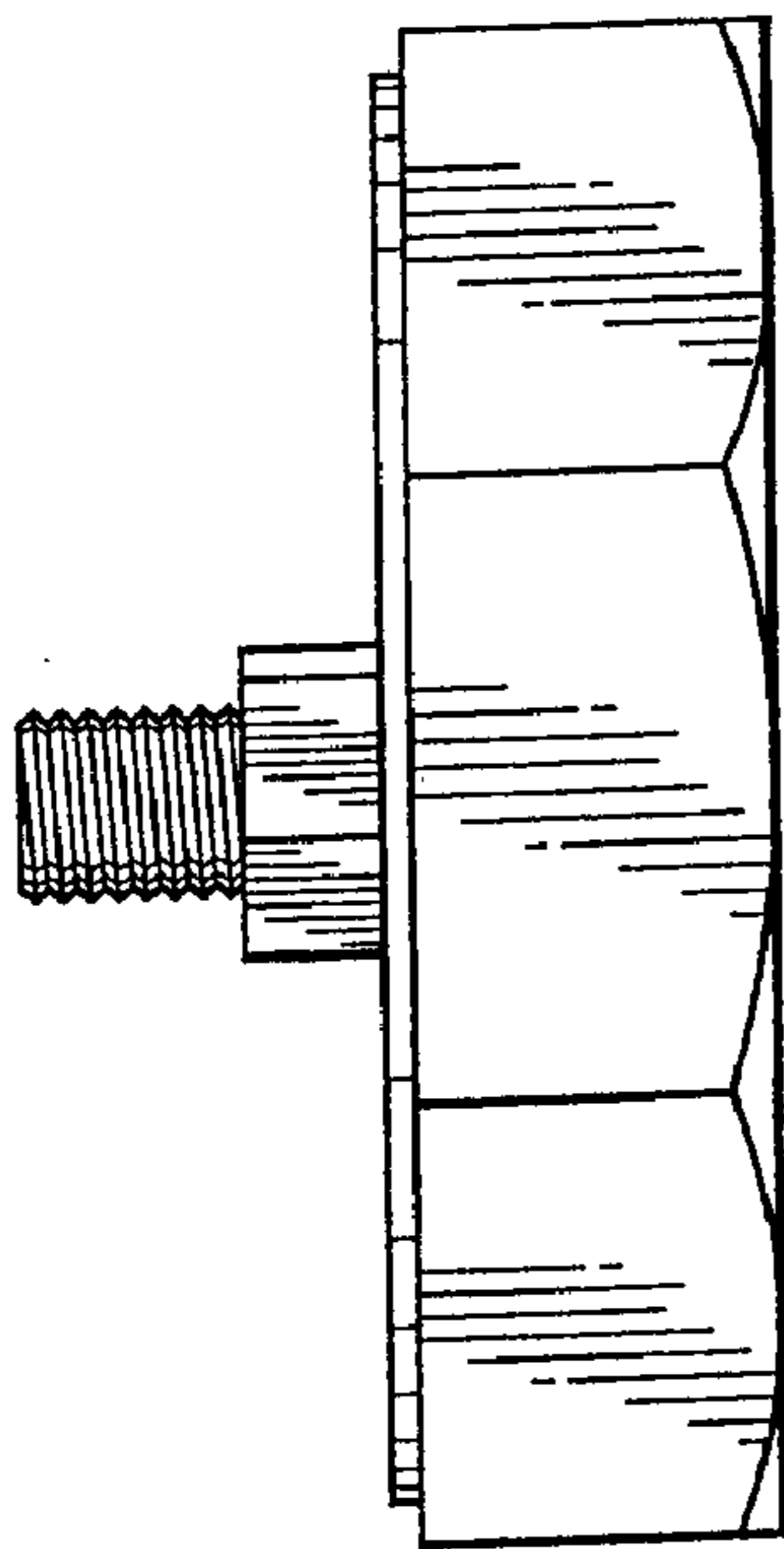


FIG. 3

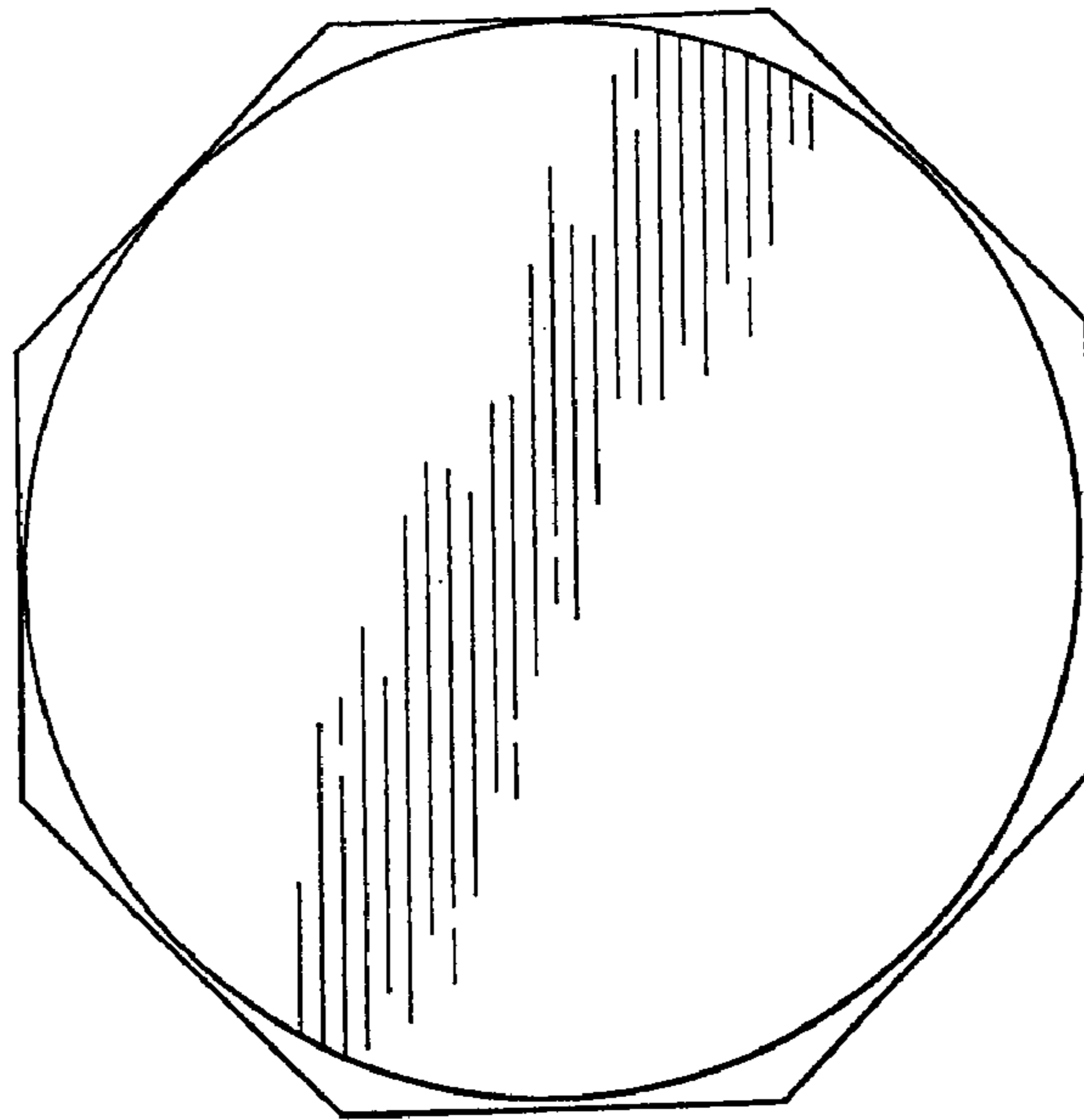


FIG. 2

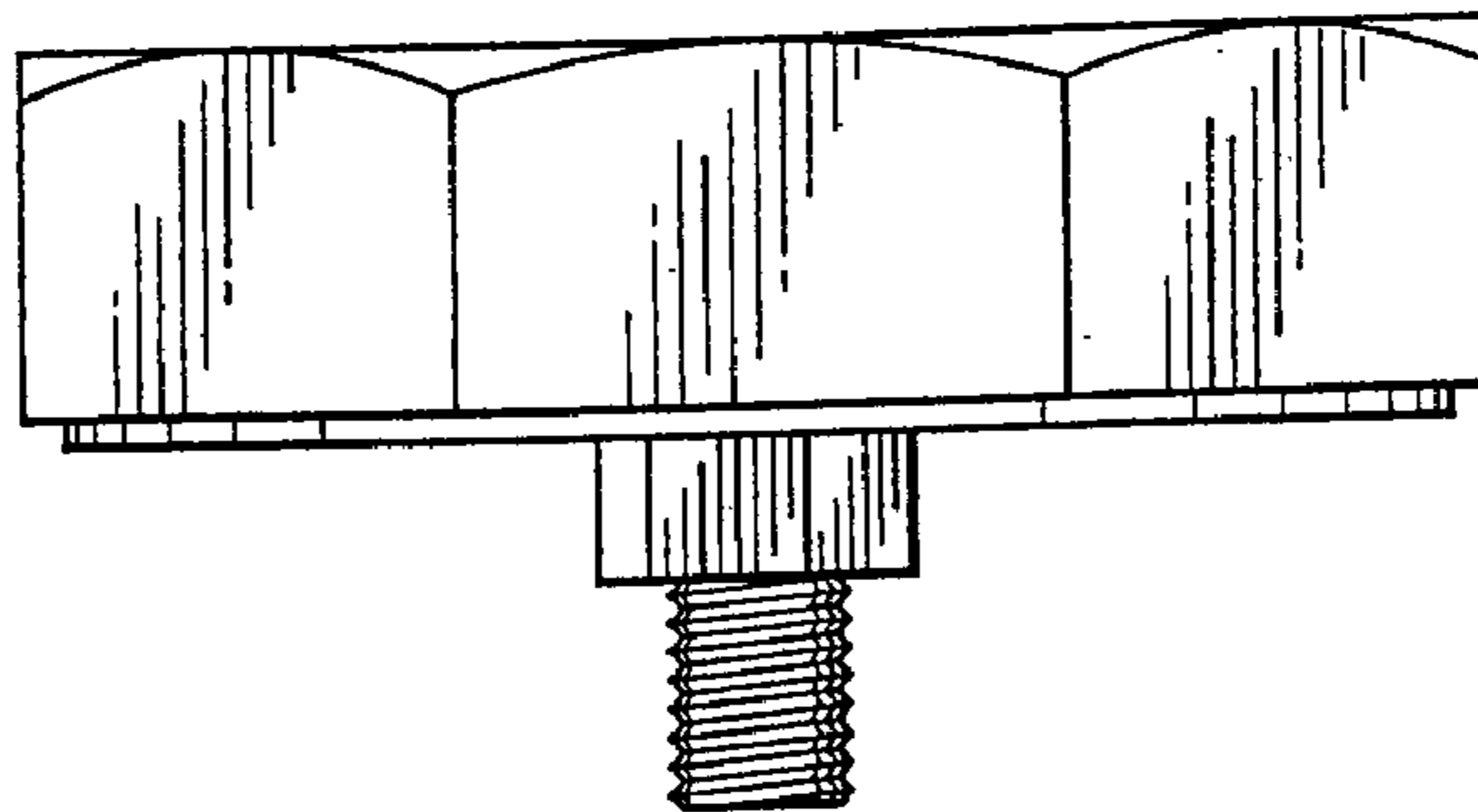


FIG. 6

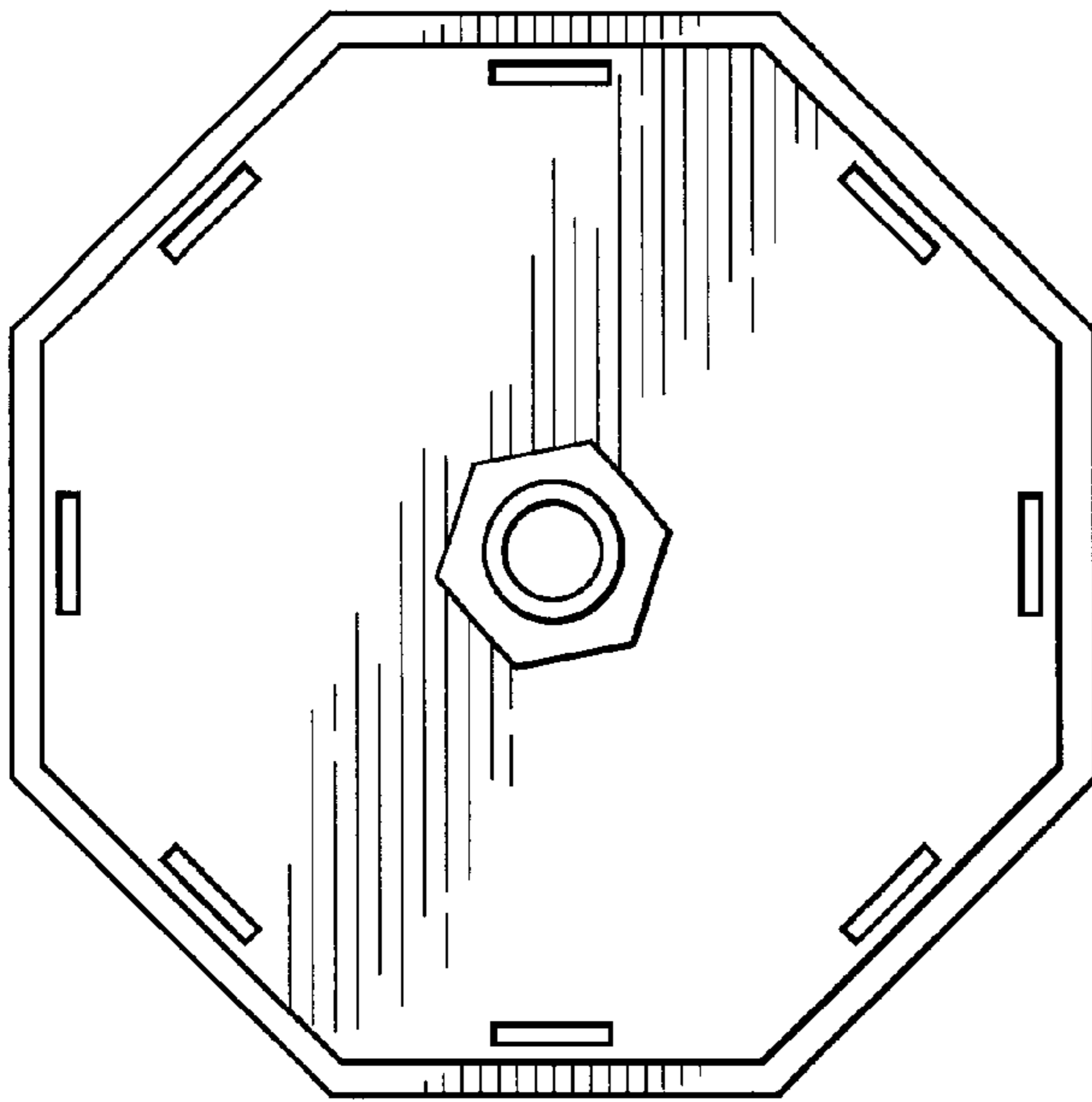


FIG. 7

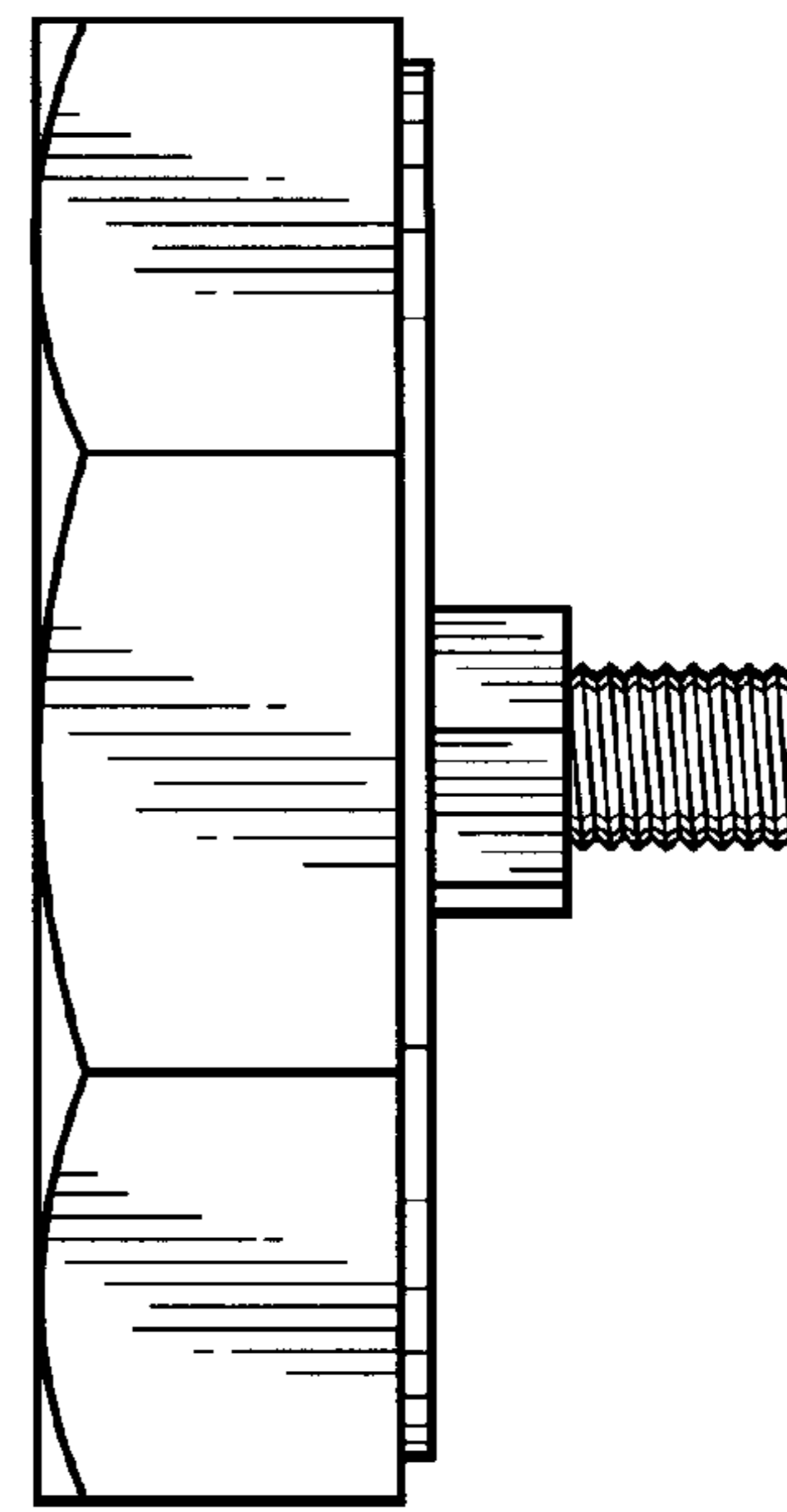


FIG. 5