



US00D520619S

(12) **United States Design Patent** (10) **Patent No.:** **US D520,619 S**
Kuempel et al. (45) **Date of Patent:** **** May 9, 2006**

(54) **AIR CLEANER FOR ENGINE**

(75) Inventors: **Bradley A. Kuempel**, Eden Prairie, MN (US); **Jordan Flagstad**, E. Bethel, MN (US); **Sheldon Anderson**, Bloomington, MN (US); **Gary Hewitt**, Hudson, WI (US); **Marty Alan Barris**, Lakeville, MN (US)

(73) Assignee: **Donaldson Company, Inc.**, Minneapolis, MN (US)

(**) Term: **14 Years**

(21) Appl. No.: **29/219,393**

(22) Filed: **Dec. 15, 2004**

(51) **LOC (8) Cl.** **23-04**

(52) **U.S. Cl.** **D23/364**

(58) **Field of Classification Search** D23/365, D23/355, 364; 55/385.3, 522

See application file for complete search history.

(56) **References Cited**

U.S. PATENT DOCUMENTS

D412,567 S	8/1999	Ward et al.	
6,051,042 A *	4/2000	Coulonvaux	55/498
D437,401 S	2/2001	Ramos et al.	
6,641,636 B1 *	11/2003	Willig et al.	55/385.3
6,814,772 B1 *	11/2004	Wake et al.	55/385.3

* cited by examiner

Primary Examiner—Robin Webster

(74) *Attorney, Agent, or Firm*—Merchant & Gould PC

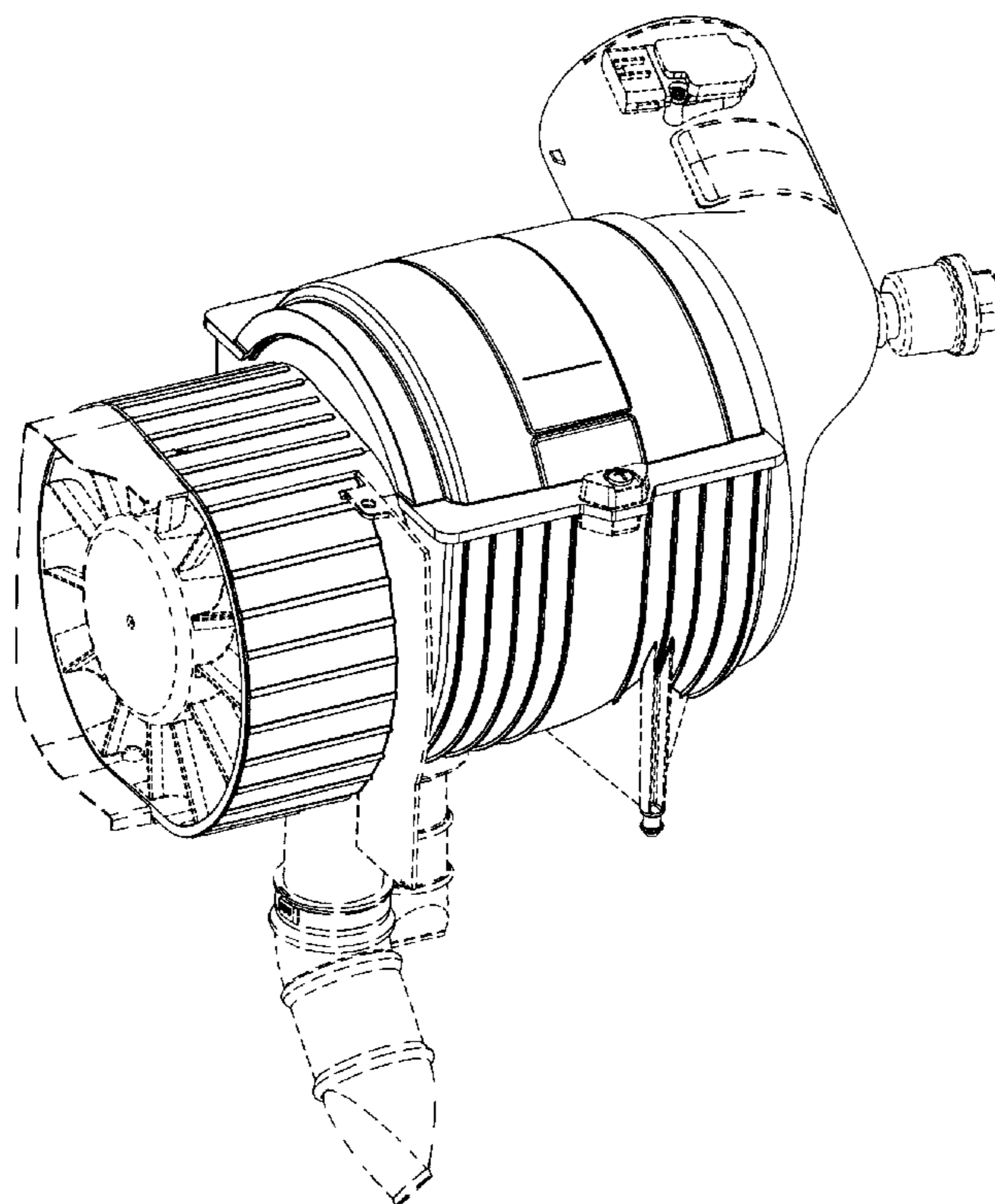
(57) **CLAIM**

The ornamental design for air cleaner for engine, as shown and described.

DESCRIPTION

FIG. 1 is a perspective view of an air cleaner for engine embodying our new design, the portions shown in broken lines forming no part of the design sought to be patented; FIG. 2 is a front elevational view thereof, the portions shown in broken lines forming no part of the design sought to be patented; FIG. 3 is a rear elevational view thereof, the portions shown in broken lines forming no part of the design sought to be patented; FIG. 4 is a left end elevational view thereof, the portions shown in broken lines forming no part of the design sought to be patented; FIG. 5 is a right end elevational view, the portions shown in broken lines forming no part of the design sought to be patented; FIG. 6 is a top plan view thereof, the portions shown in broken lines forming no part of the design sought to be patented; and, FIG. 7 is a bottom plan view thereof, the portions shown in broken lines forming no part of the design sought to be patented.

1 Claim, 7 Drawing Sheets



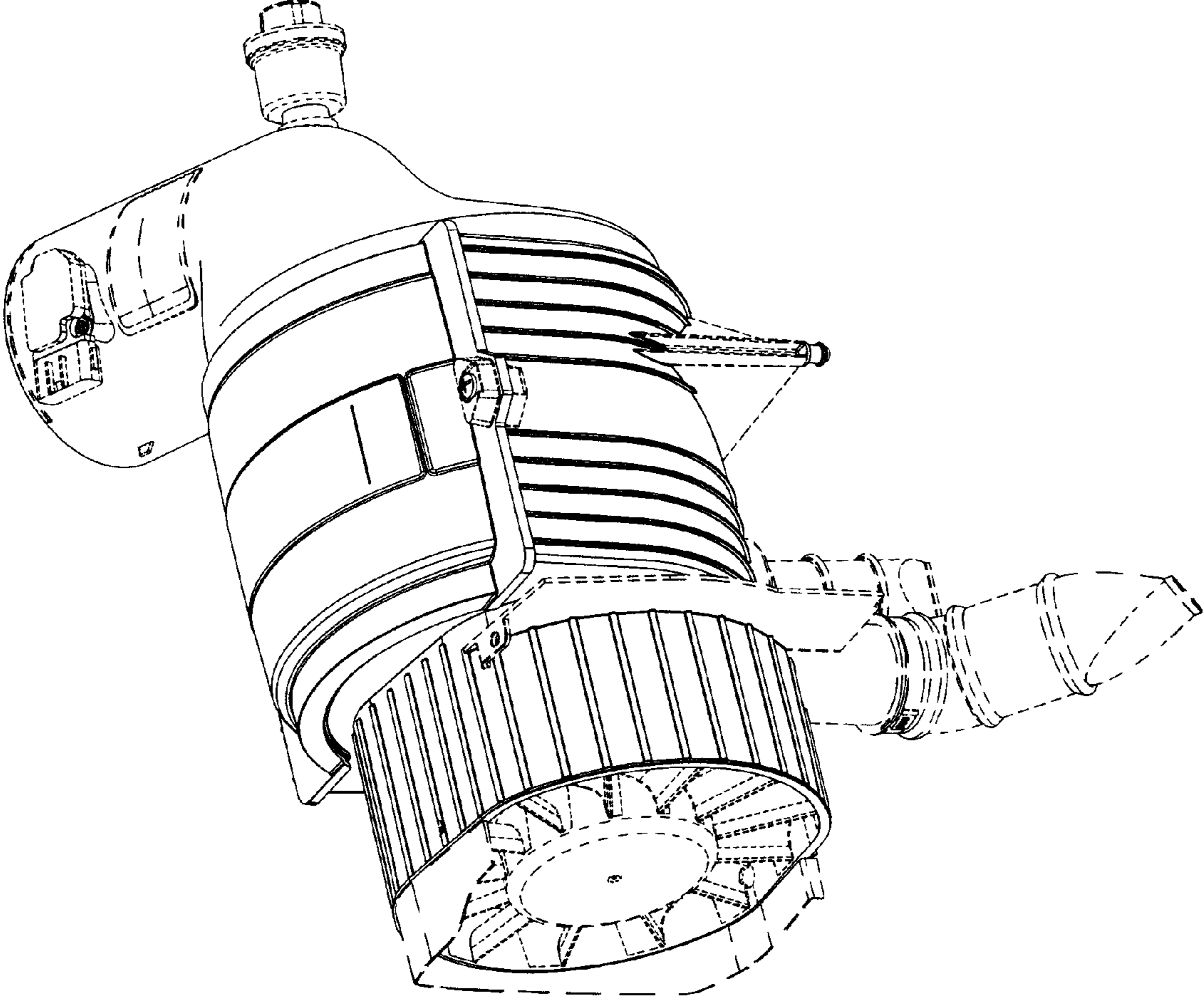


FIG. 1

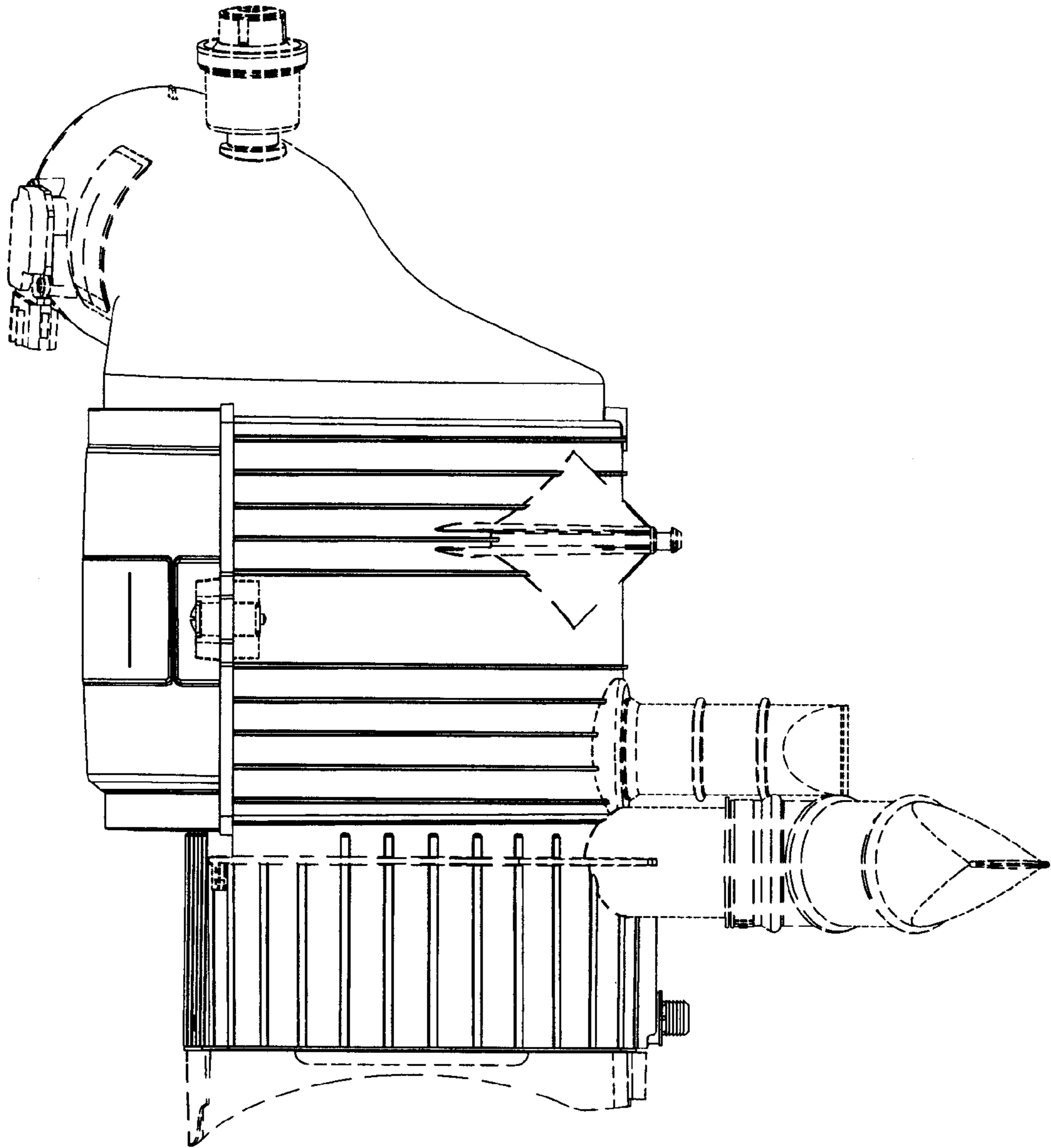


FIG. 2

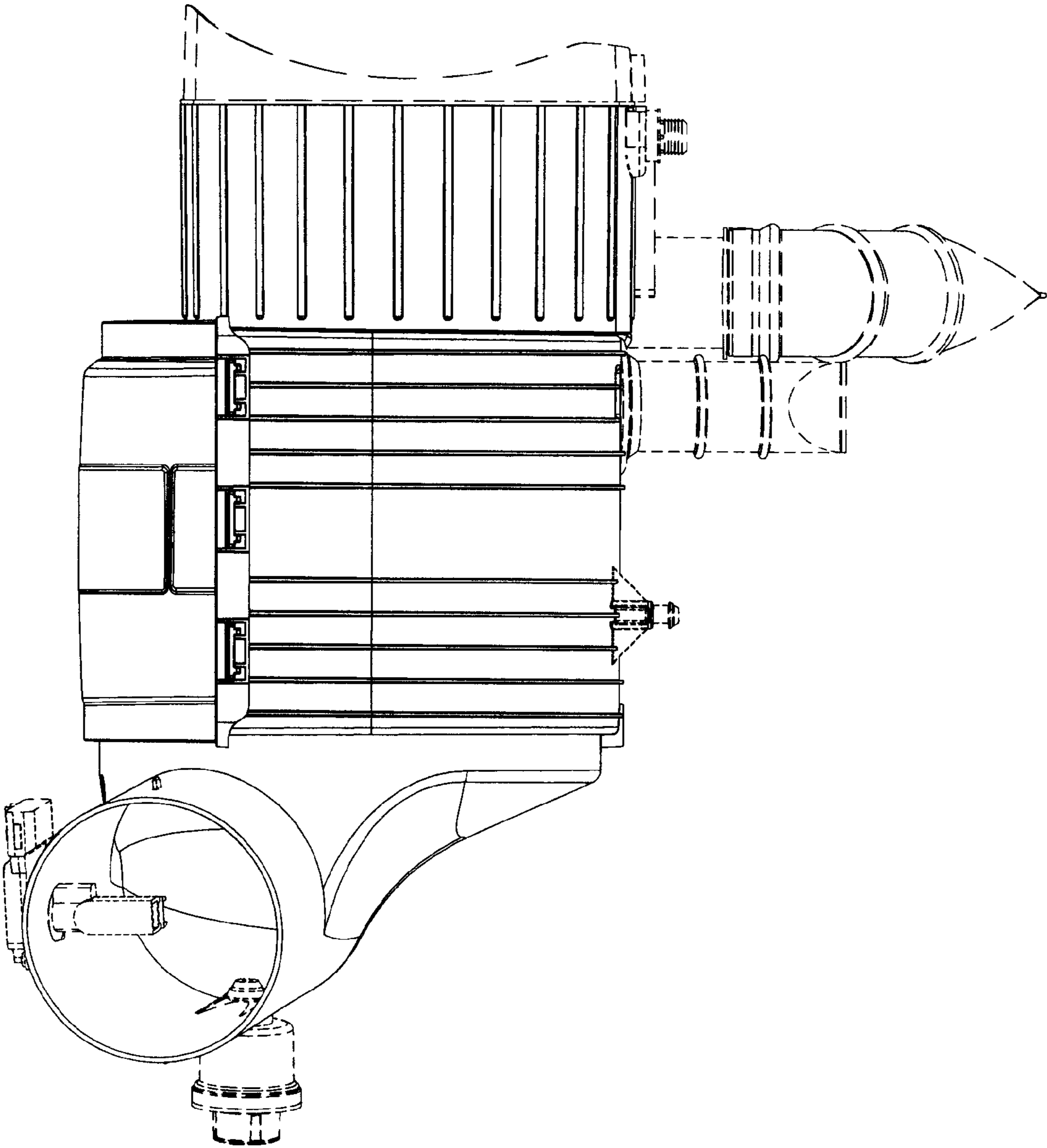


FIG. 3

FIG. 4

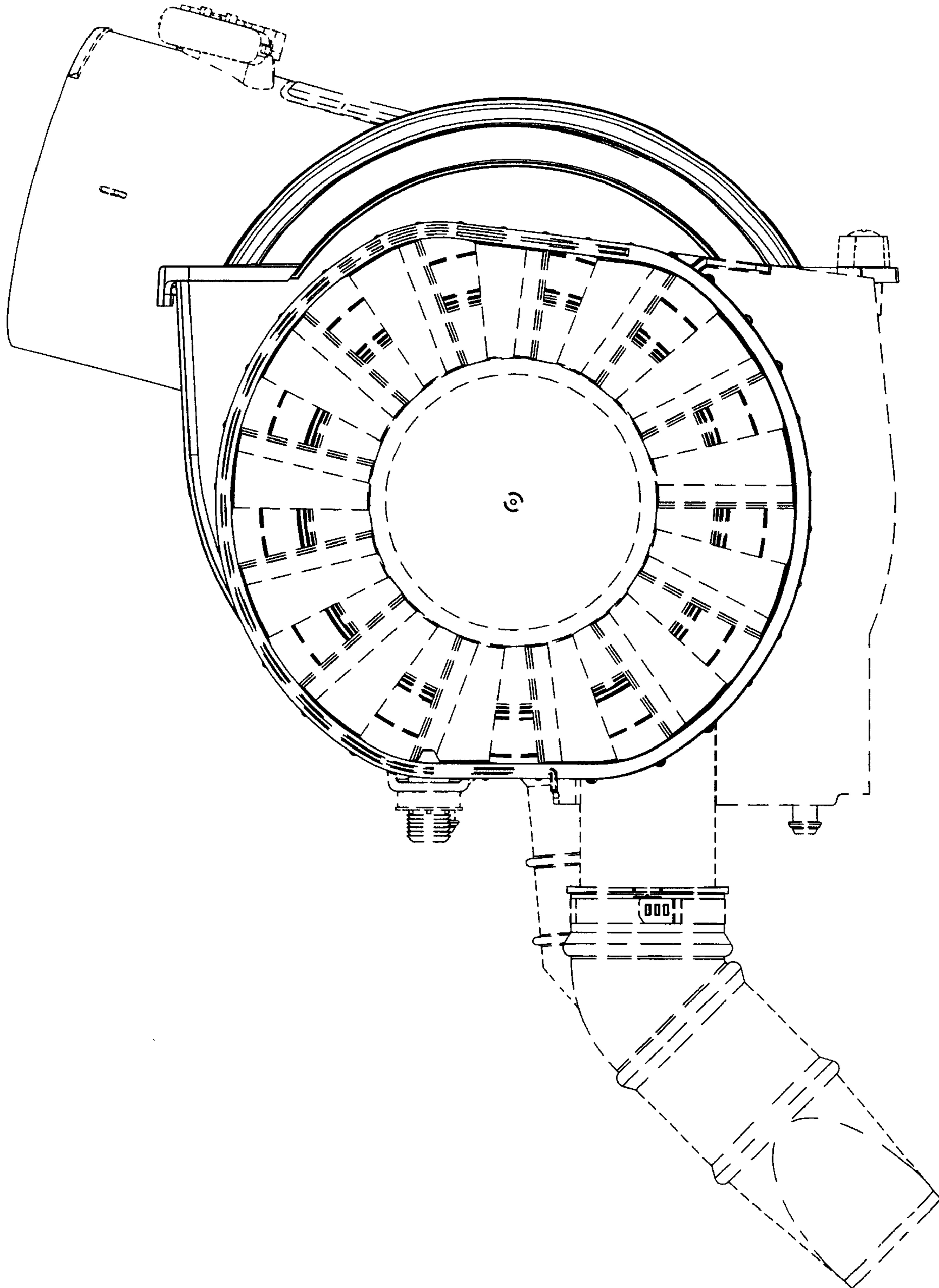
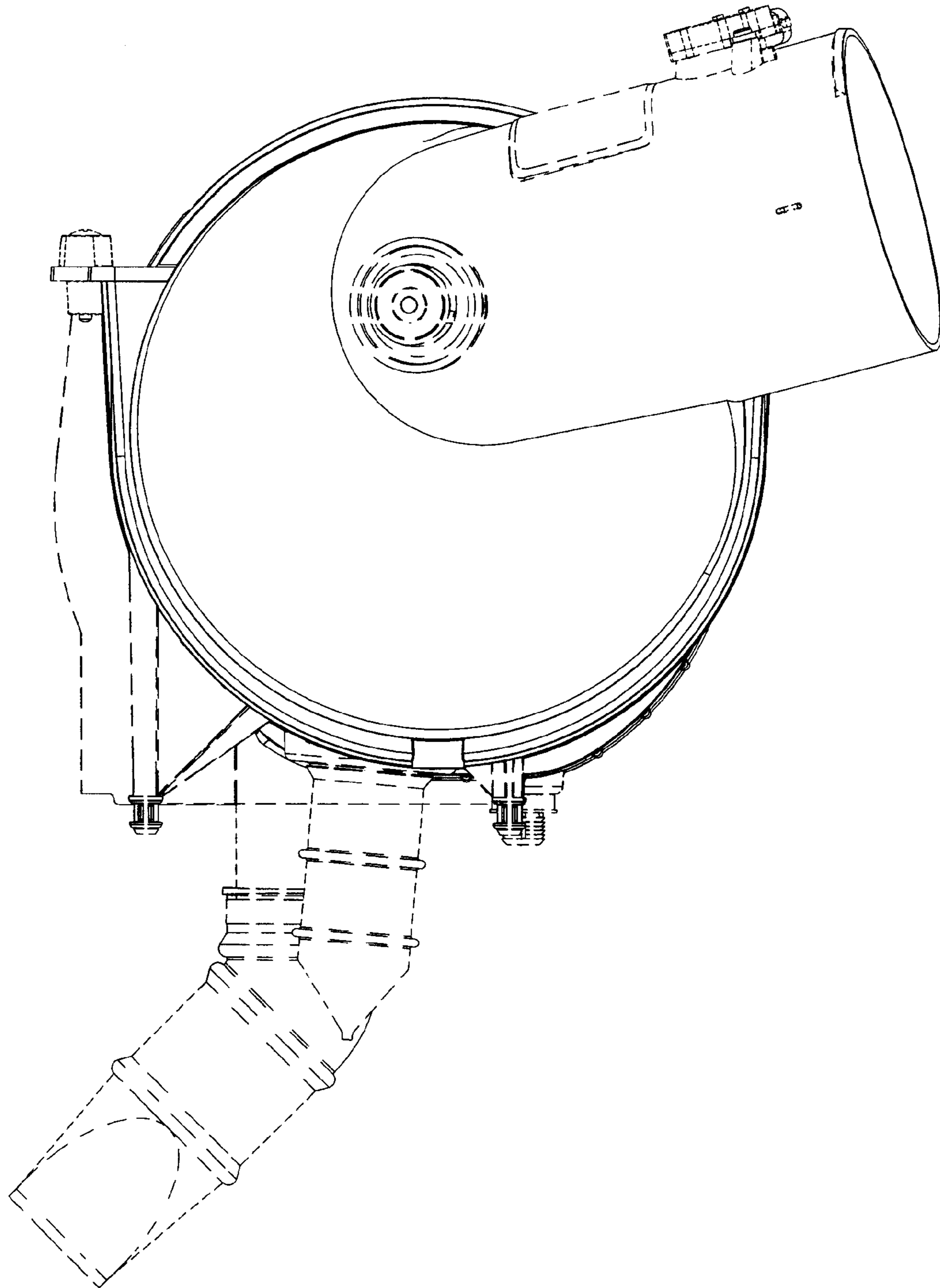


FIG. 5



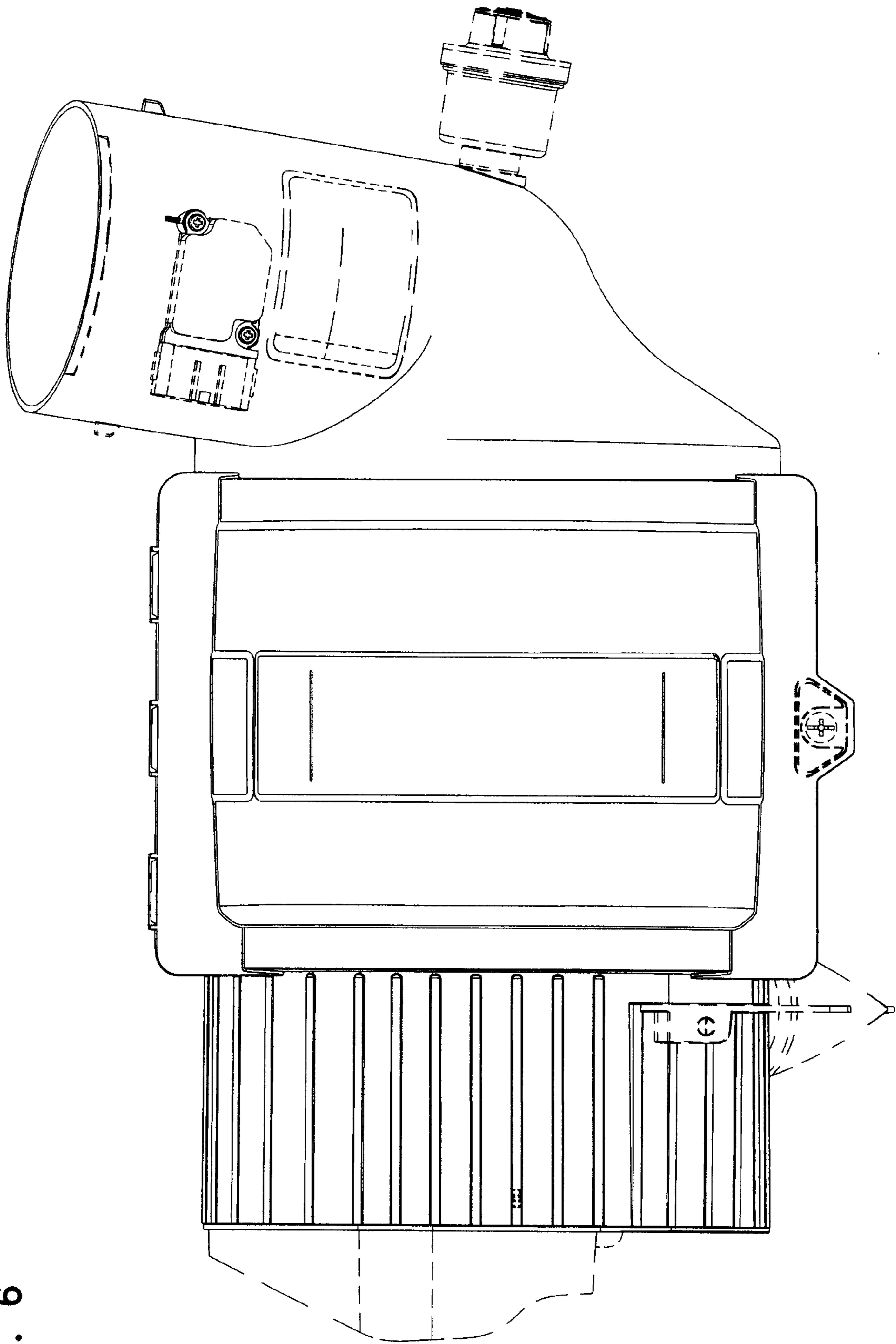


FIG. 6

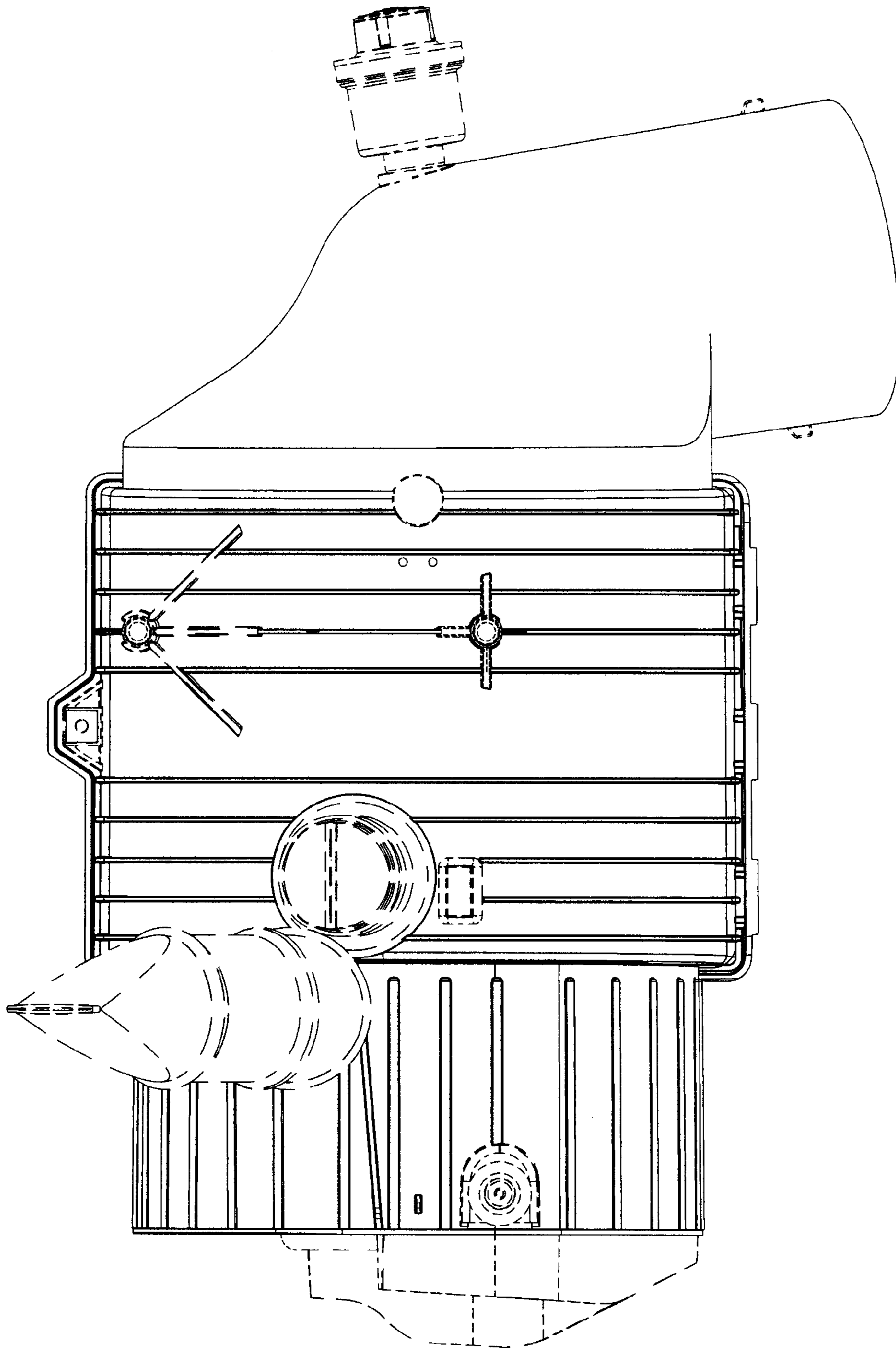


FIG. 7