



US00D520615S

(12) **United States Design Patent**
Hou

(10) **Patent No.:** **US D520,615 S**

(45) **Date of Patent:** **** May 9, 2006**

(54) **TOILET**

D437,634 S * 2/2001 Hundley D23/301
D501,543 S * 2/2005 Kakihana D23/301

(75) Inventor: **Camel Hou**, Weifang (CN)

* cited by examiner

(73) Assignee: **Globe Union Industrial Corp.**,
Taichung (TW)

Primary Examiner—Robert A. Delehanty
(74) *Attorney, Agent, or Firm*—Leong C. Lei

(**) Term: **14 Years**

(57) **CLAIM**

(21) Appl. No.: **29/229,951**

The ornamental design for a toilet, as shown and described.

(22) Filed: **May 16, 2005**

DESCRIPTION

(51) **LOC (8) Cl.** **23-01**

(52) **U.S. Cl.** **D23/301**

(58) **Field of Classification Search** D23/270,
D23/273–274, 295, 299, 301, 303, 309, 313;
4/663–664, 300–301, 329, 420, 443, 661,
4/DIG. 15

FIG. 1 is a perspective view of a toilet showing my new design;

FIG. 2 is a front elevational view thereof;

FIG. 3 is a rear elevational view thereof;

FIG. 4 is a left side elevational view thereof;

FIG. 5 is a right side elevational view thereof;

FIG. 6 is a top plan view thereof; and,

FIG. 7 is a bottom plan view thereof.

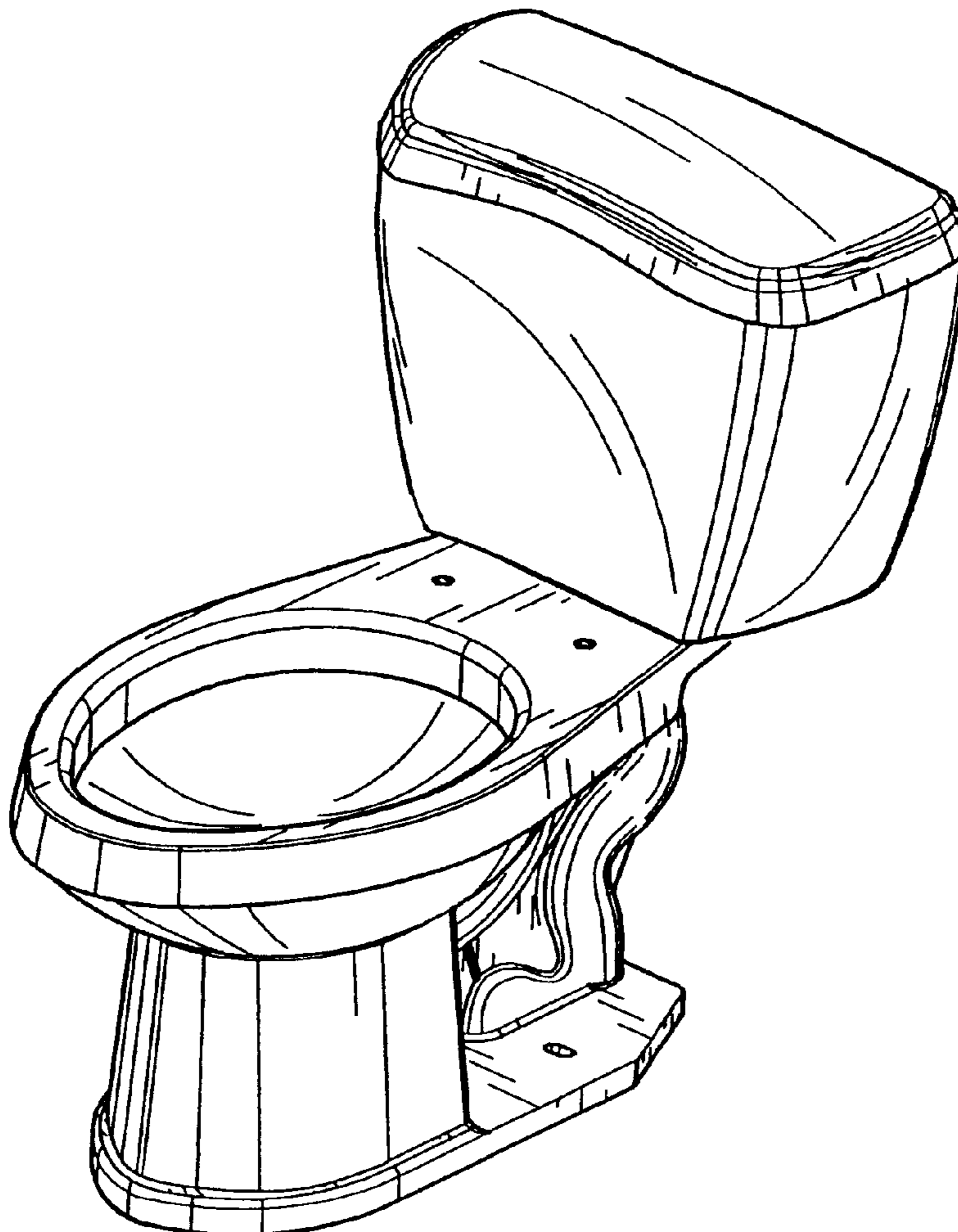
See application file for complete search history.

(56) **References Cited**

U.S. PATENT DOCUMENTS

4,672,689 A * 6/1987 Heinze et al. 4/661

1 Claim, 4 Drawing Sheets



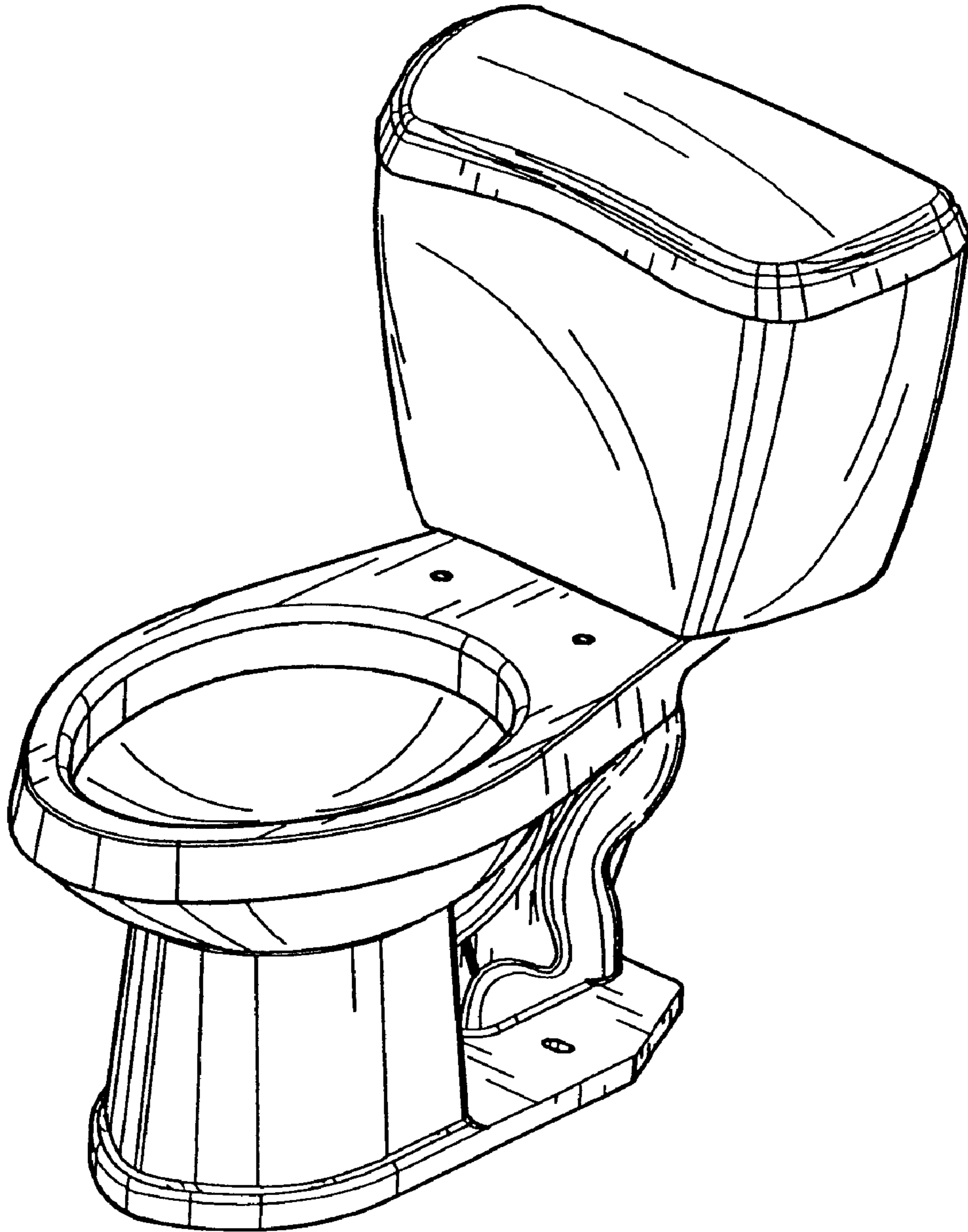


FIG. 1

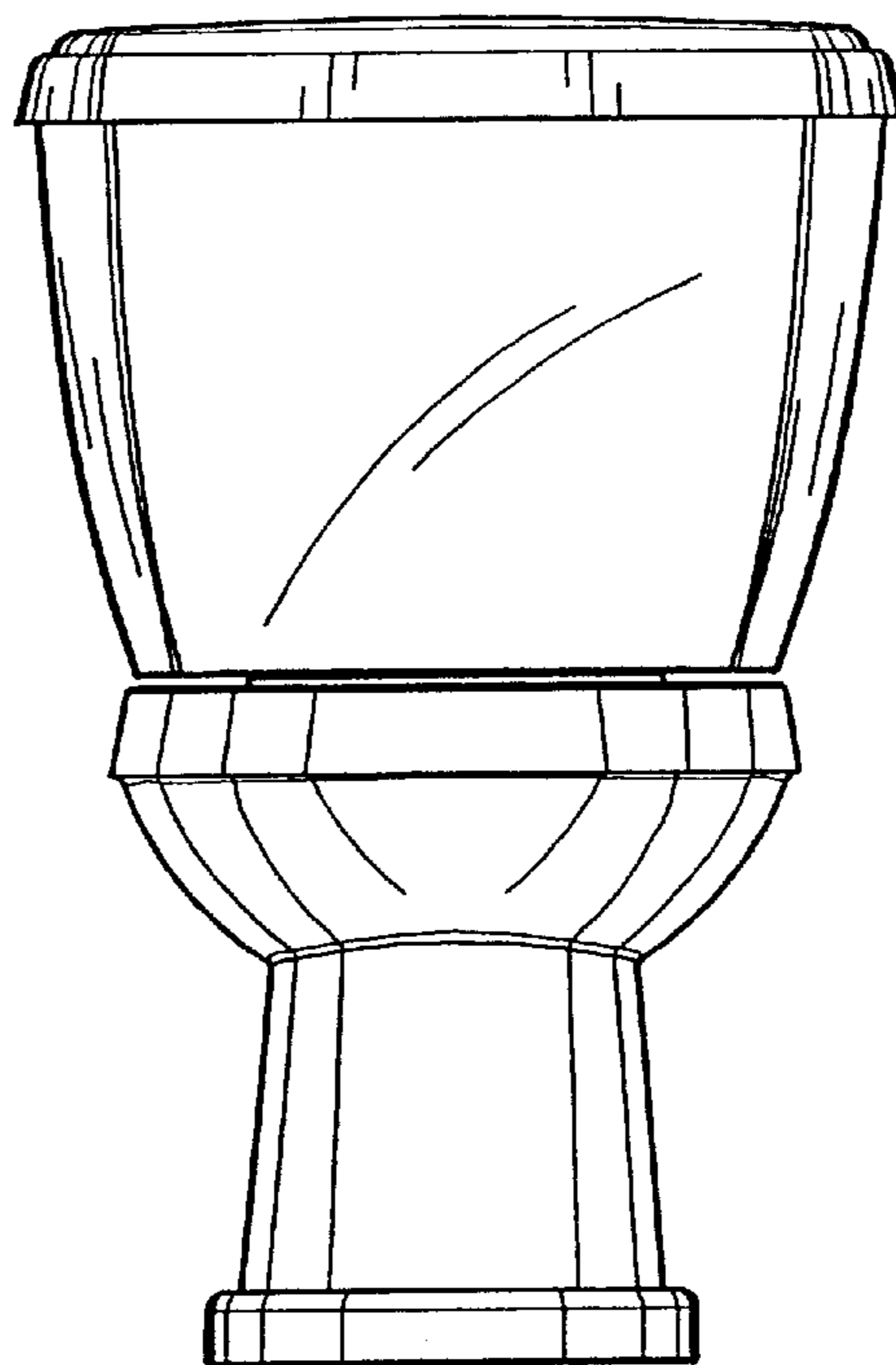


FIG. 2

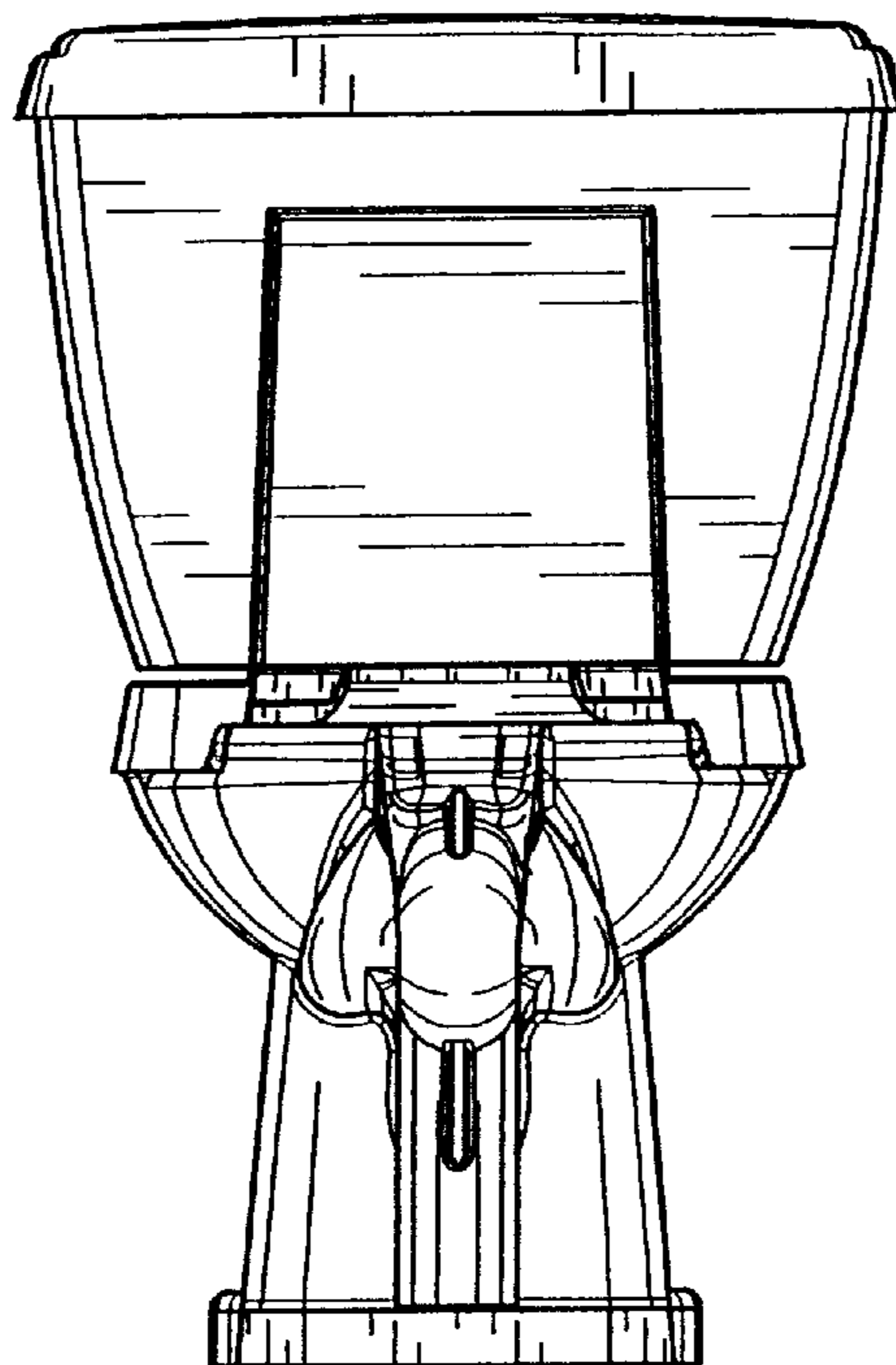


FIG. 3

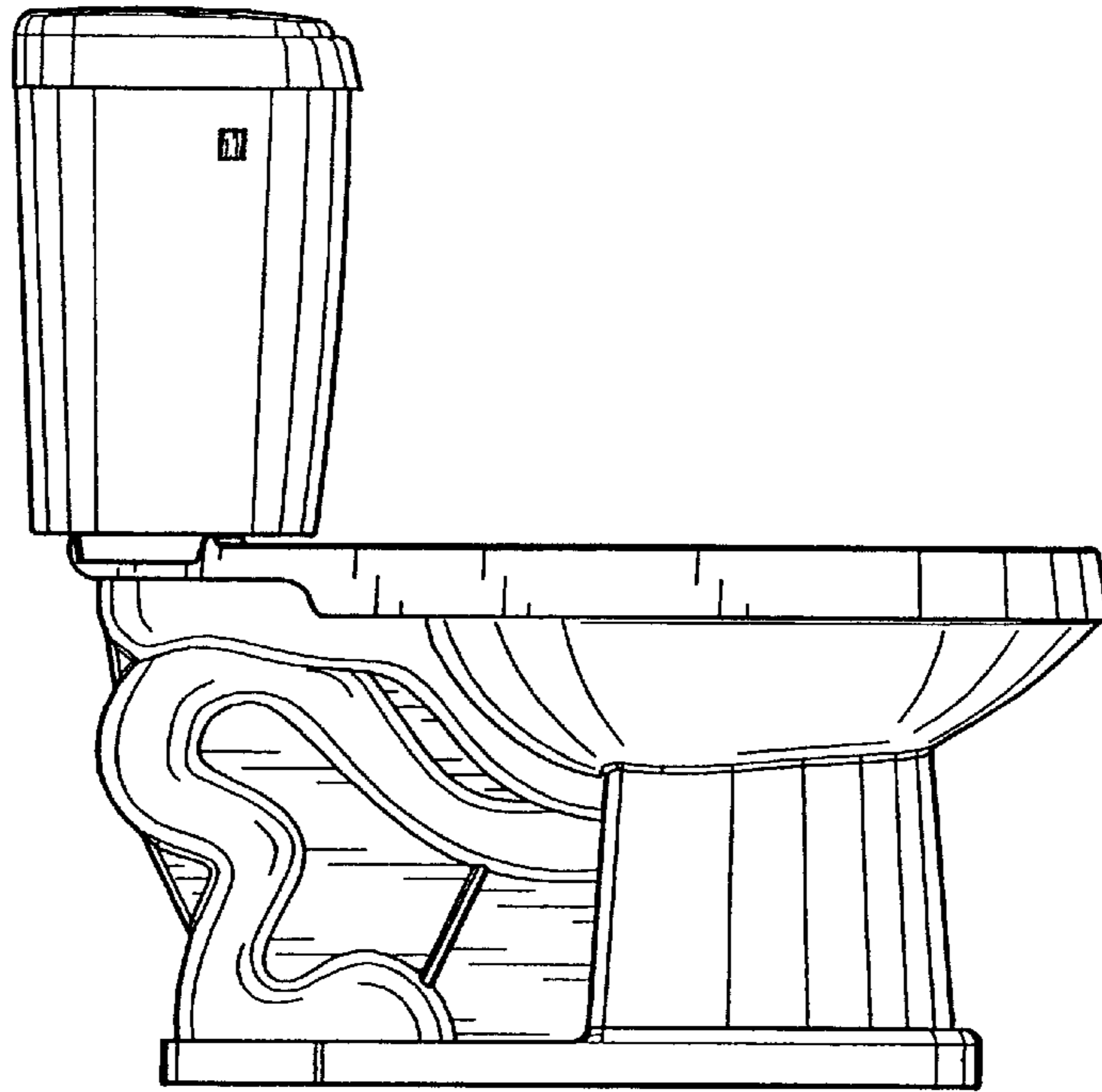


FIG. 4

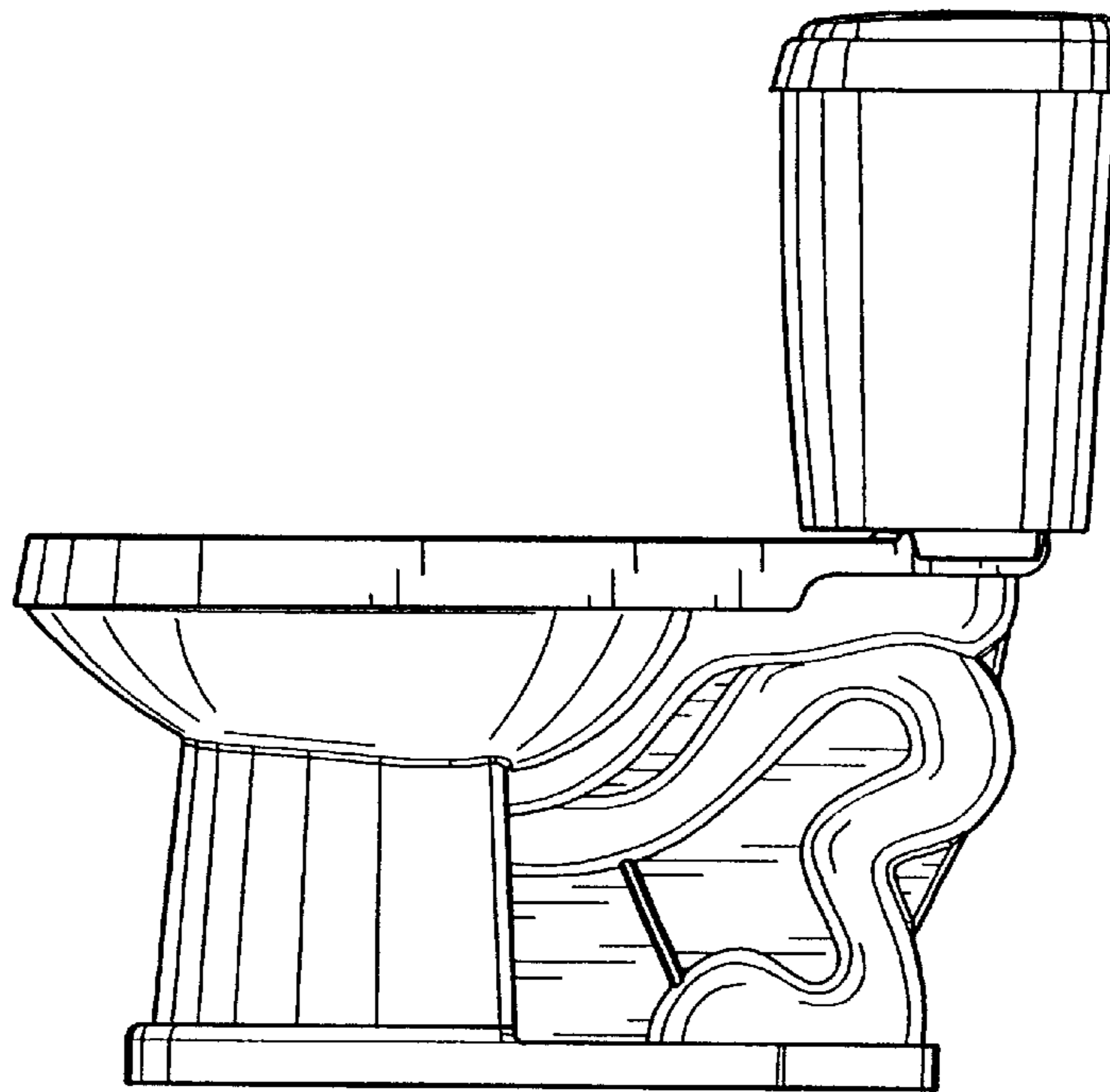


FIG. 5

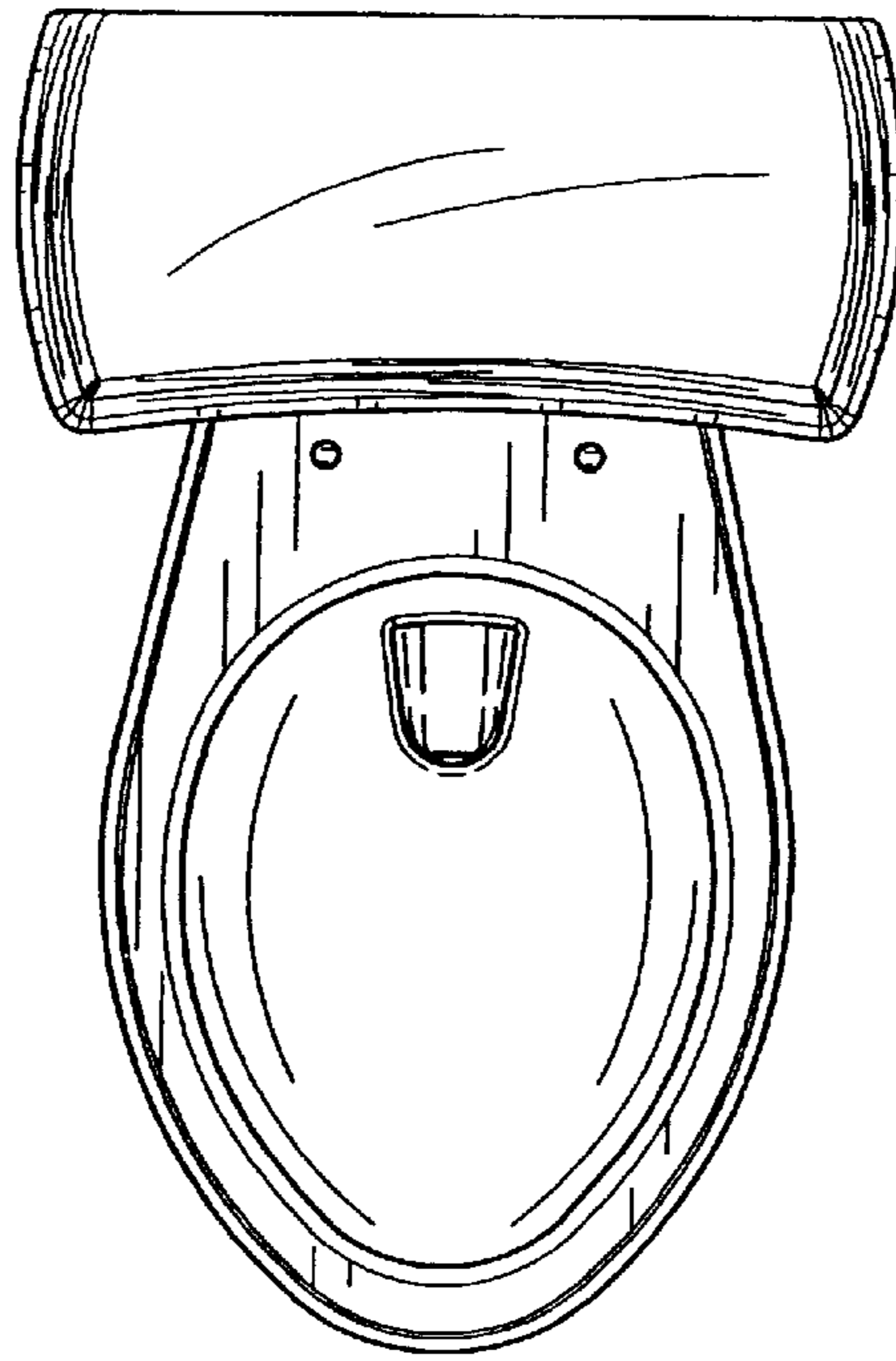


FIG. 6

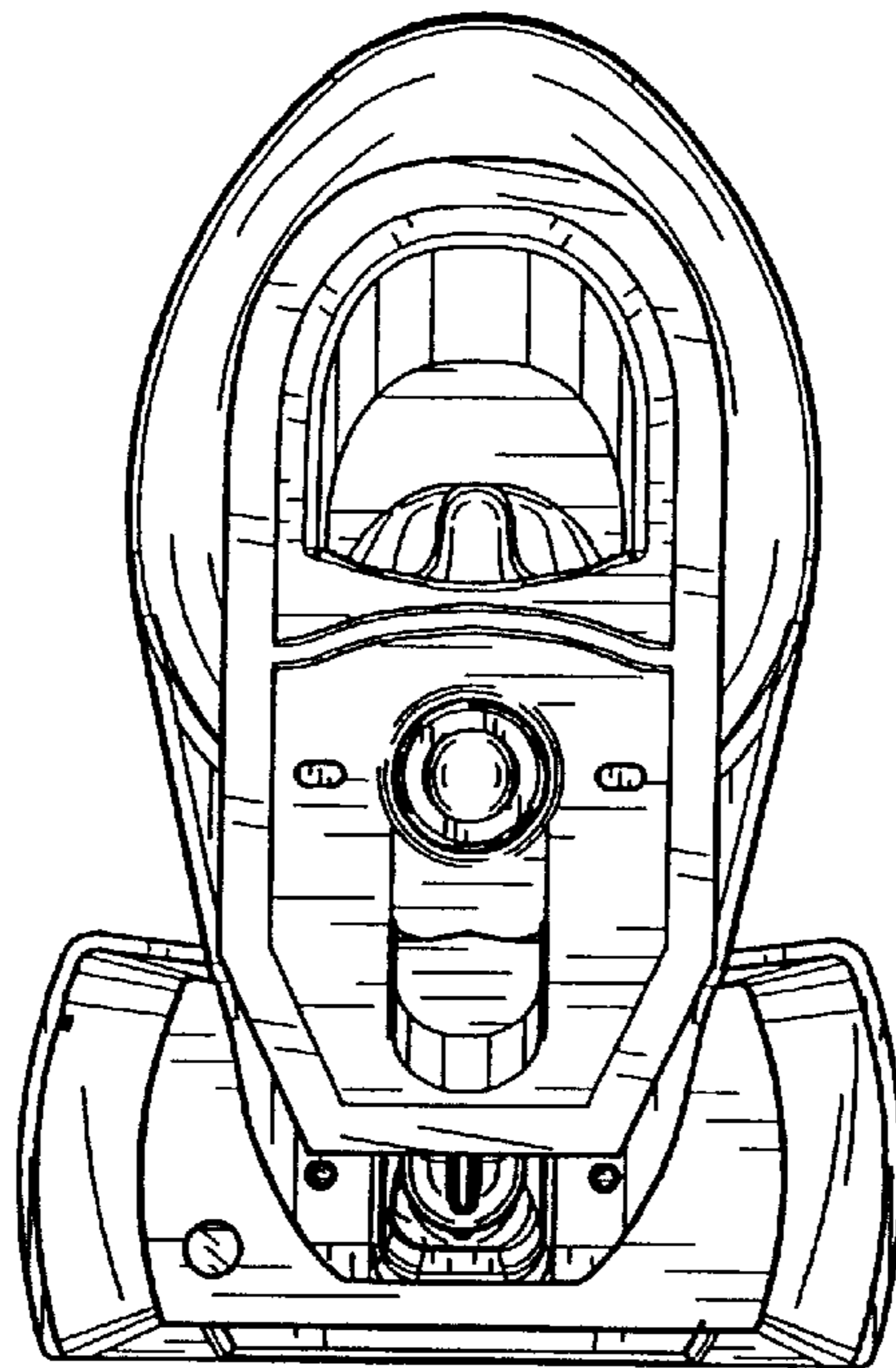


FIG. 7