

US00D520613S

(12) **United States Design Patent** (10) **Patent No.:** **US D520,613 S**
Soulier (45) **Date of Patent:** **** May 9, 2006**

(54) **BIDET**
(75) Inventor: **Jean-Hugues Soulier**, Vaucresson (FR)
(73) Assignee: **Kohler France SAS**, Paris (FR)
(**) Term: **14 Years**

(21) Appl. No.: **29/220,865**
(22) Filed: **Jan. 7, 2005**

(51) **LOC (8) Cl.** **23-01**
(52) **U.S. Cl.** **D23/295**
(58) **Field of Classification Search** D23/270,
D23/273-274, 295, 299, 301, 303, 309, 313;
4/663-664, 300-301, 329, 420, 443, 661,
4/DIG. 15
See application file for complete search history.

(56) **References Cited**

U.S. PATENT DOCUMENTS

D288,591 S * 3/1987 Stairs, Jr. D23/295
D453,555 S * 2/2002 Tako D23/295

OTHER PUBLICATIONS

Bathstore.com website page, Compact 550, dated Oct. 21, 2004.
Kyomi website page, Kyomi full Back-To-Wall CL and Kyomi Floor Standing Bidet, dated Oct. 18, 2004.
Victorian website page, p. Oct. 18, 2004.

* cited by examiner

Primary Examiner—Robert A. Delehanty

(74) *Attorney, Agent, or Firm*—Quarles & Brady LLP

(57) **CLAIM**

The ornamental design for a bidet, as shown and described.

DESCRIPTION

In a preferred embodiment, the nature of this product is as a bidet primarily useful for washing various body parts of humans.

FIG. 1 is a left, top, front perspective view of a bidet embodying my new design;

FIG. 2 is a top plan view thereof;

FIG. 3 is a left side elevational view thereof, the right side elevational view thereof being a mirror image of the left side shown;

FIG. 4 is a front elevational view thereof;

FIG. 5 is a rear elevational view thereof;

FIG. 6 is a bottom plan view thereof;

FIG. 7 is a left, top, front perspective view of a bidet according to another embodiment of my new design, the top view thereof being identical to that of FIG. 2;

FIG. 8 is a left side elevational view thereof, the right side elevational view thereof being a mirror image of the left side shown;

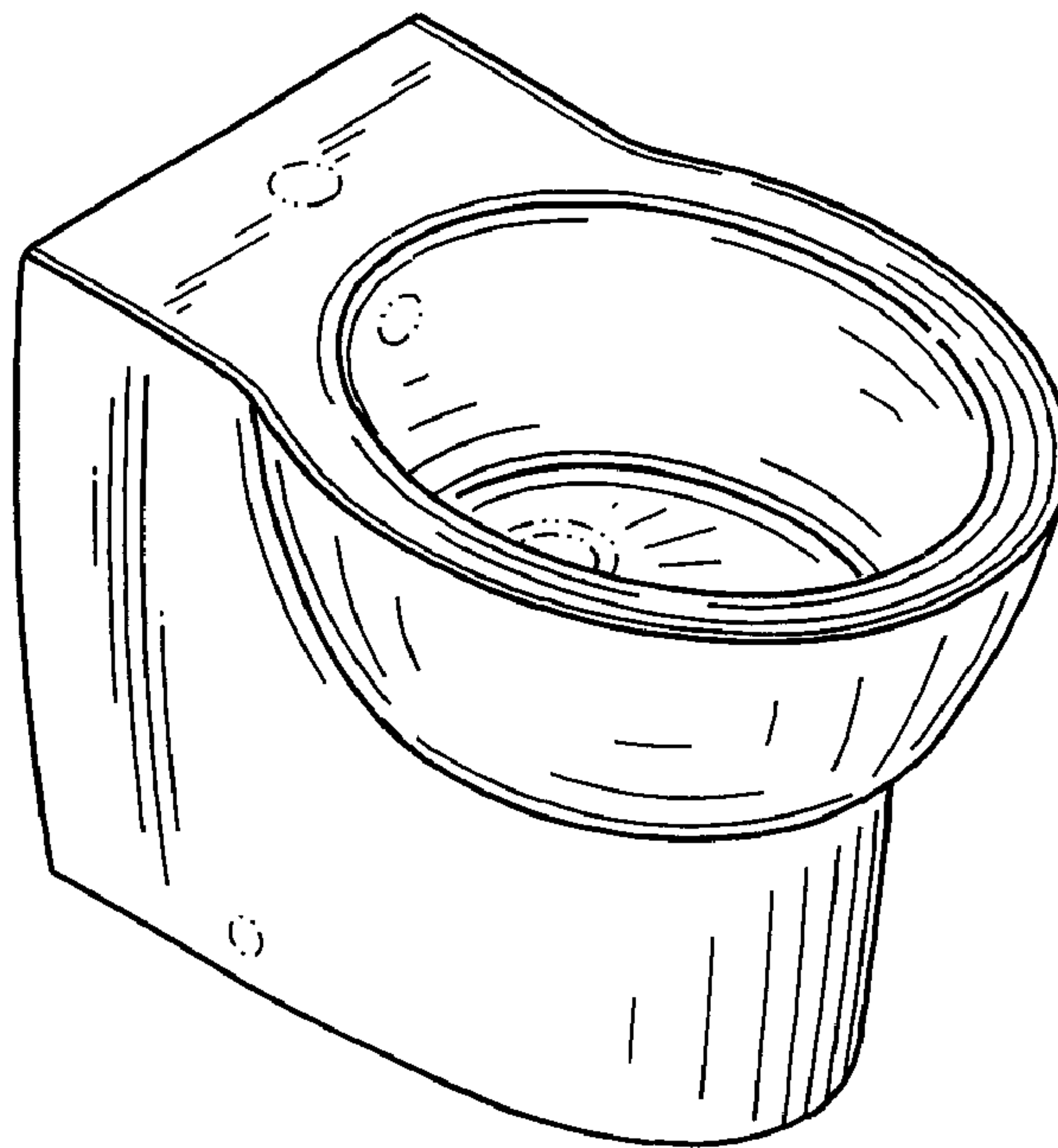
FIG. 9 is a front elevational view thereof;

FIG. 10 is a rear elevational view thereof; and,

FIG. 11 is a bottom plan view thereof.

The broken line representations of openings for a drain, faucet and/or control in FIGS. 1-3, 6-7 and 11, of internal structure in FIGS. 5-6 and 10-11, and of a recess in FIGS. 7-8, are for the purpose of illustration only, and form no part of the claimed design.

1 Claim, 4 Drawing Sheets



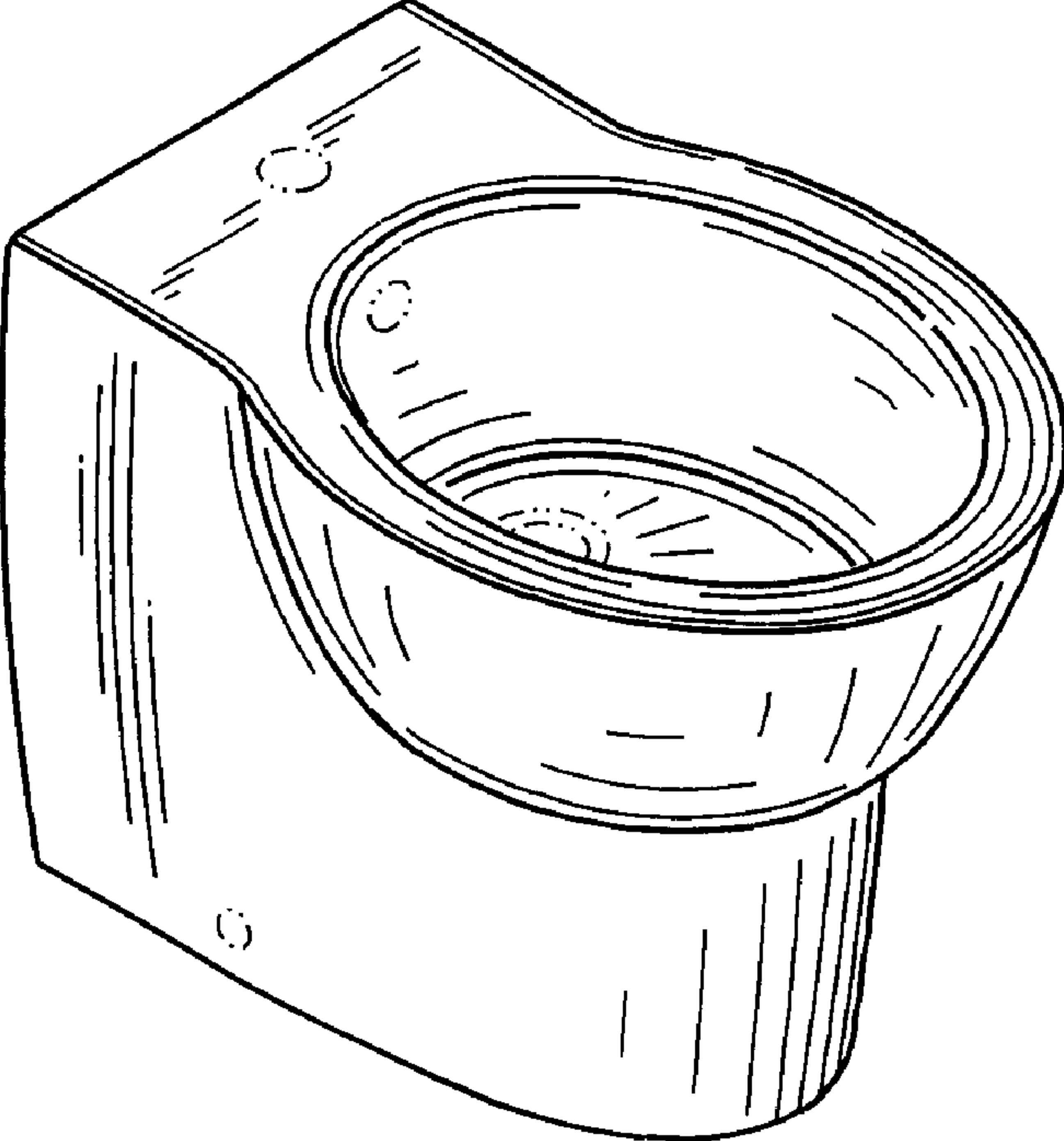


FIG. 1

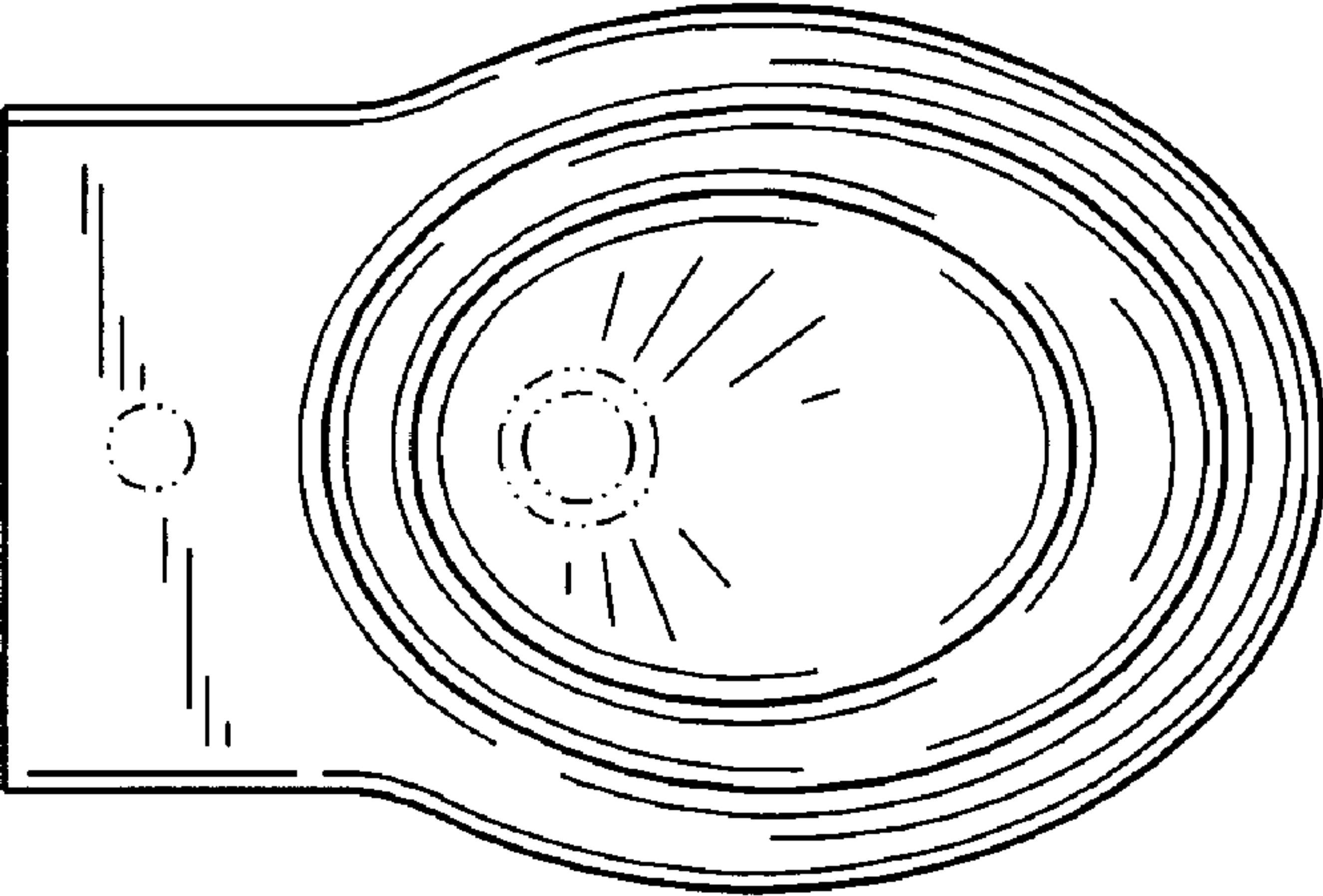


FIG. 2

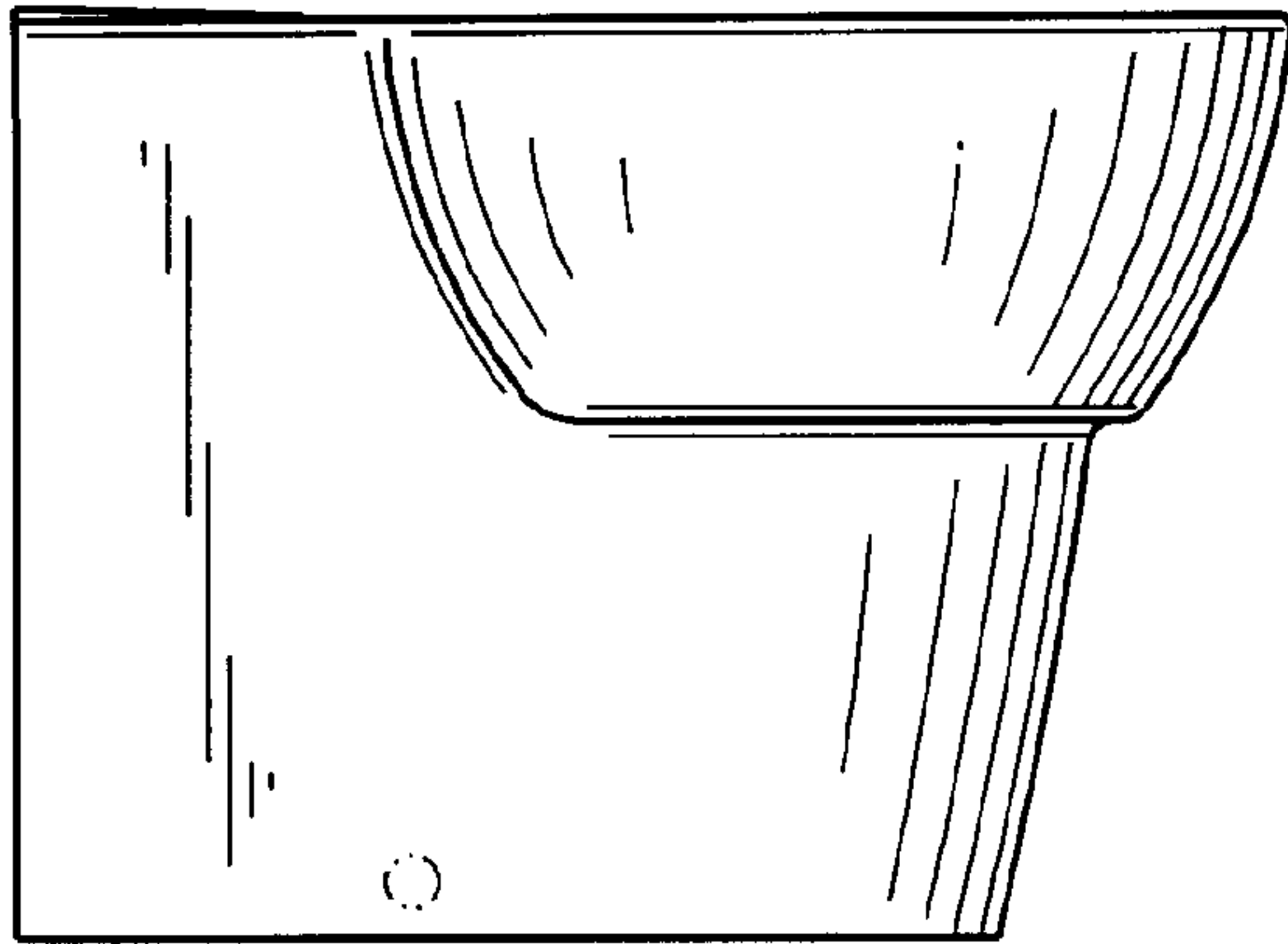


FIG. 3

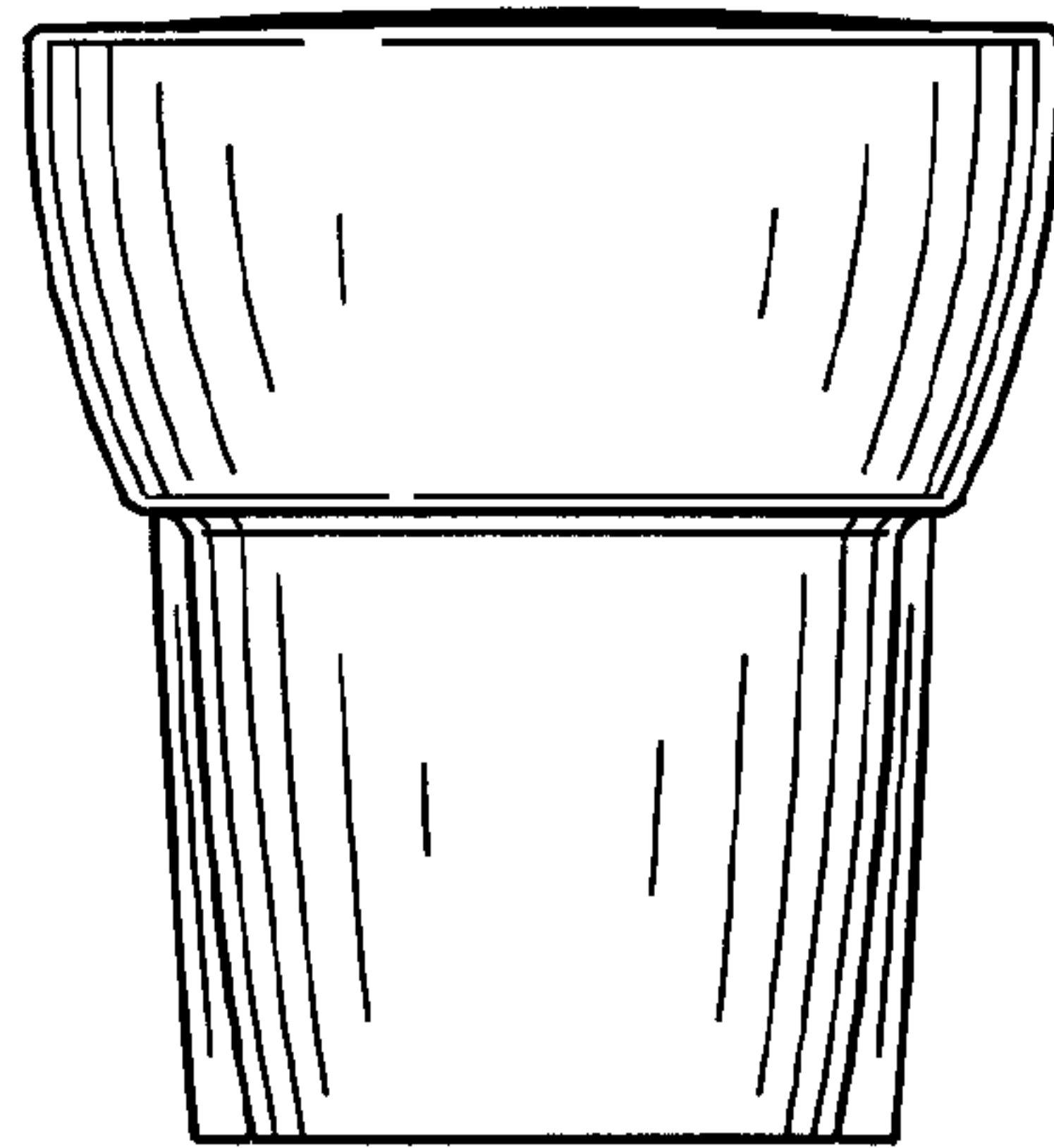


FIG. 4

FIG. 5

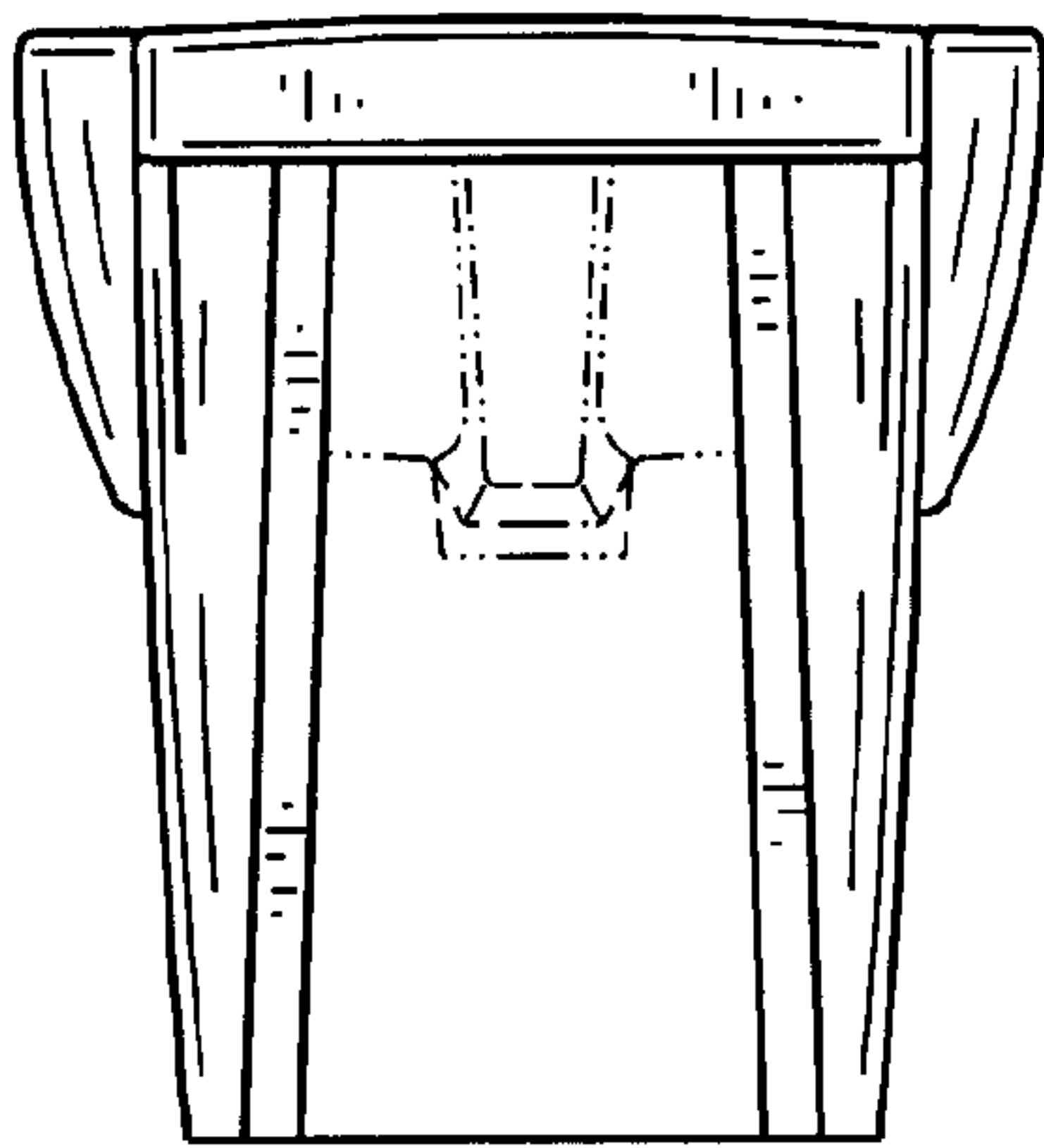
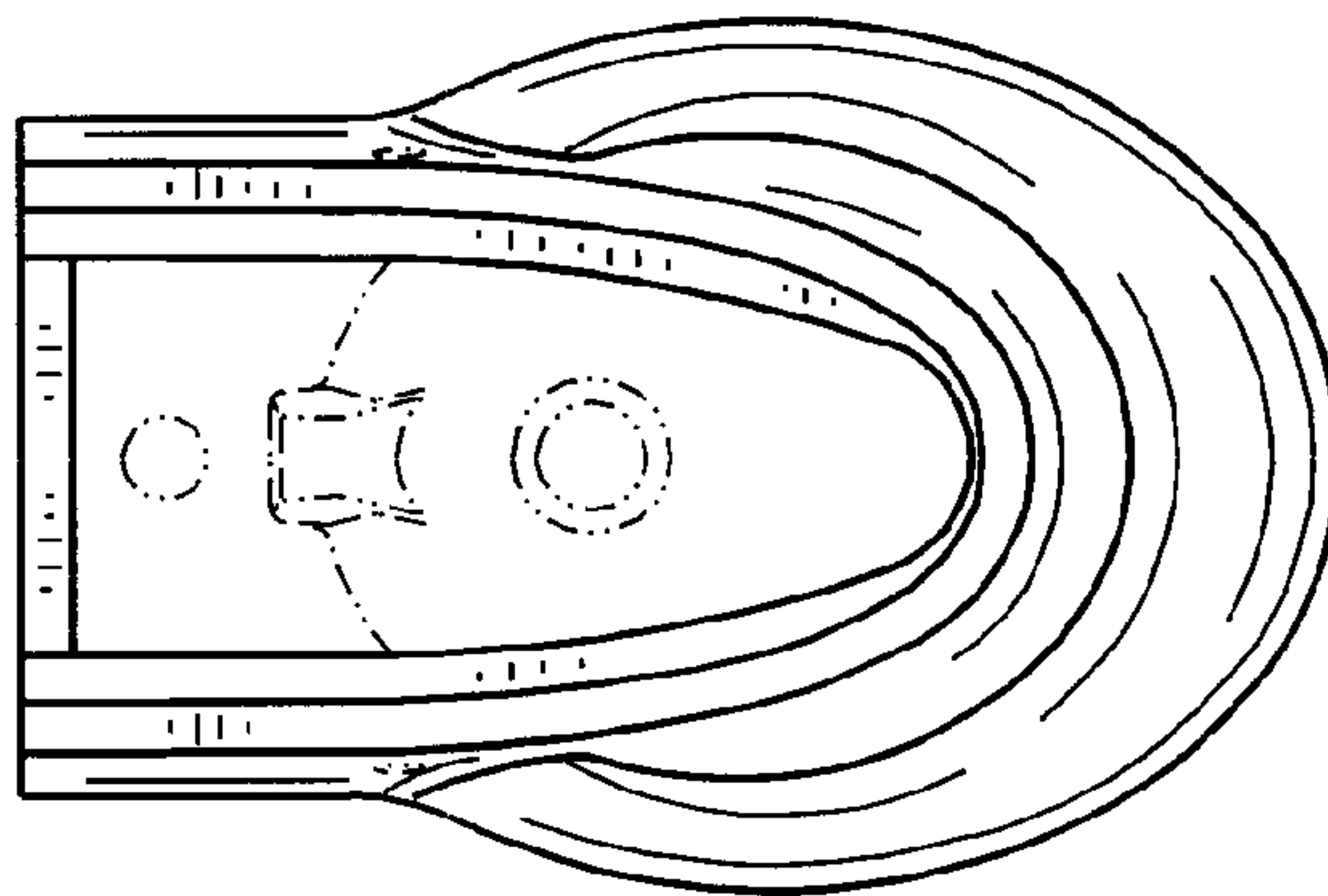


FIG. 6



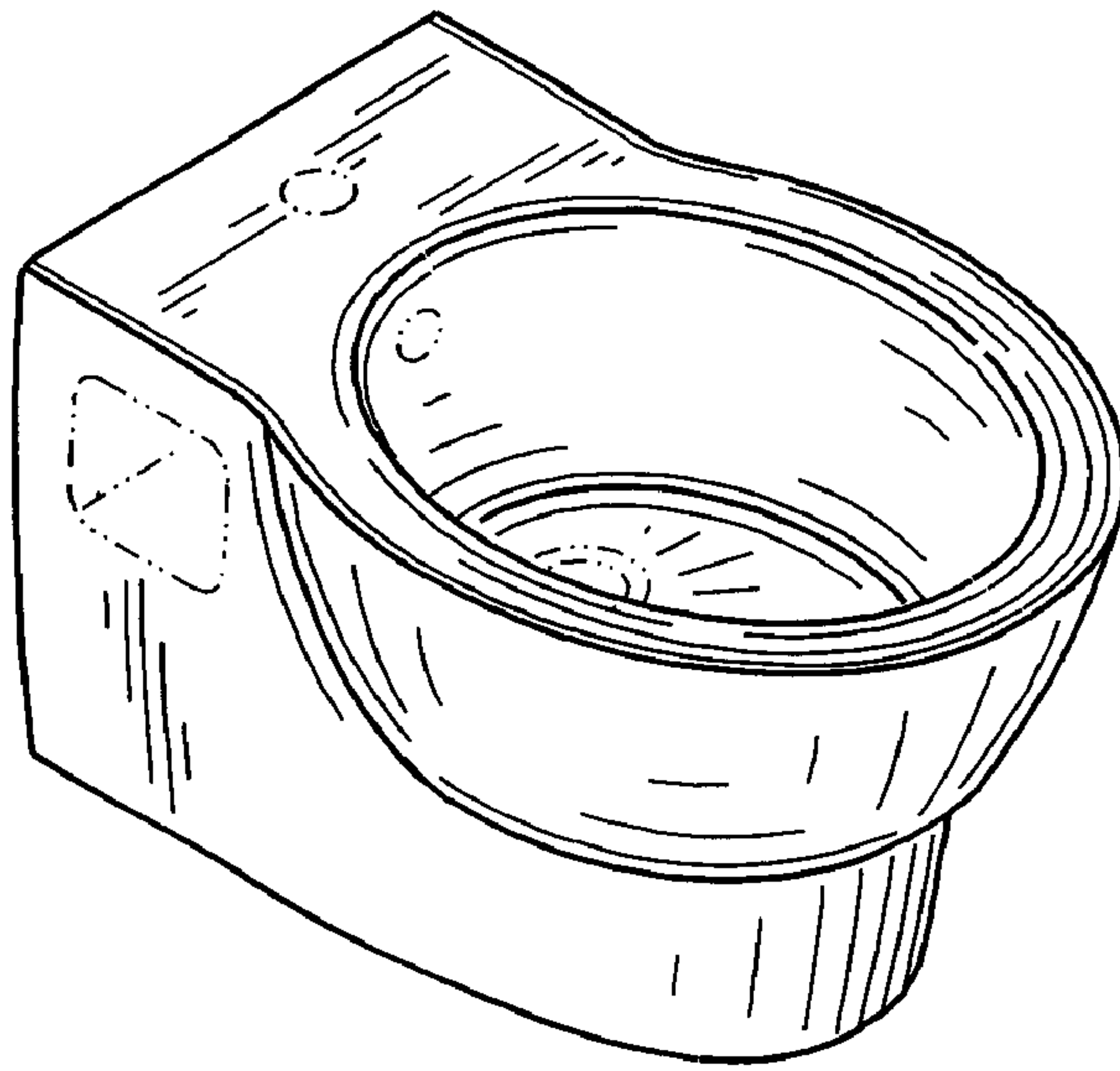


FIG. 7

FIG. 8

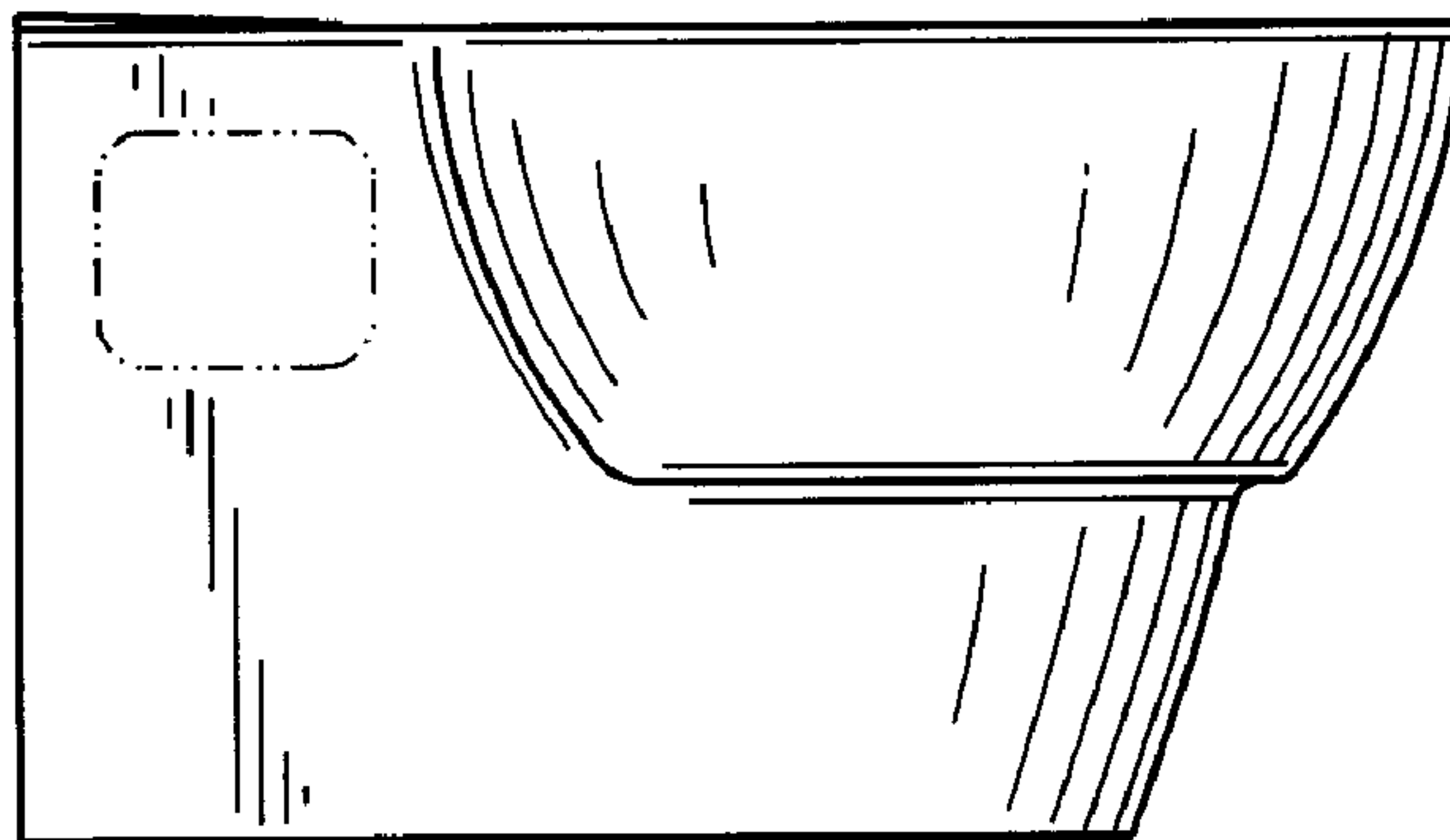


FIG. 9

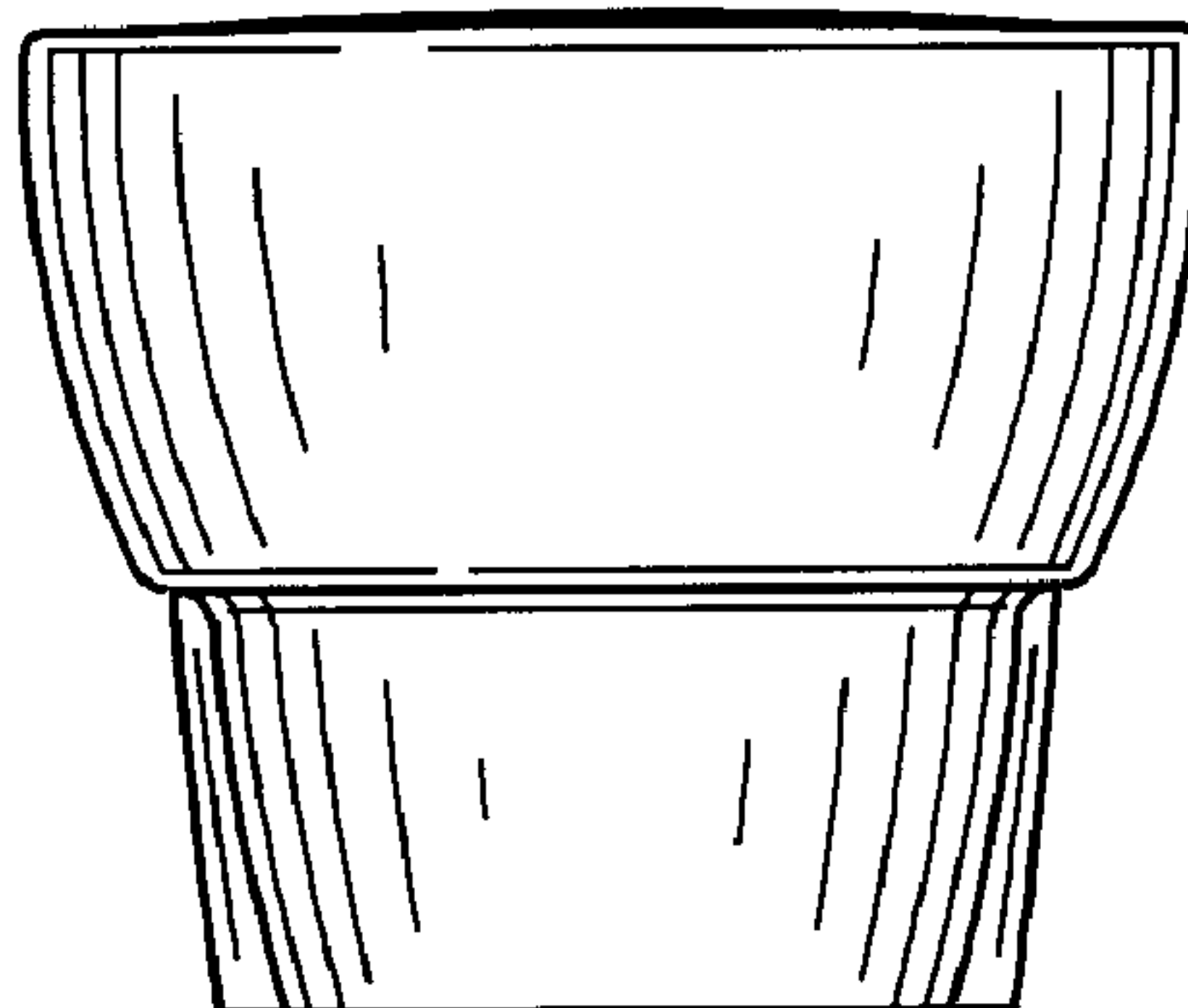


FIG. 10

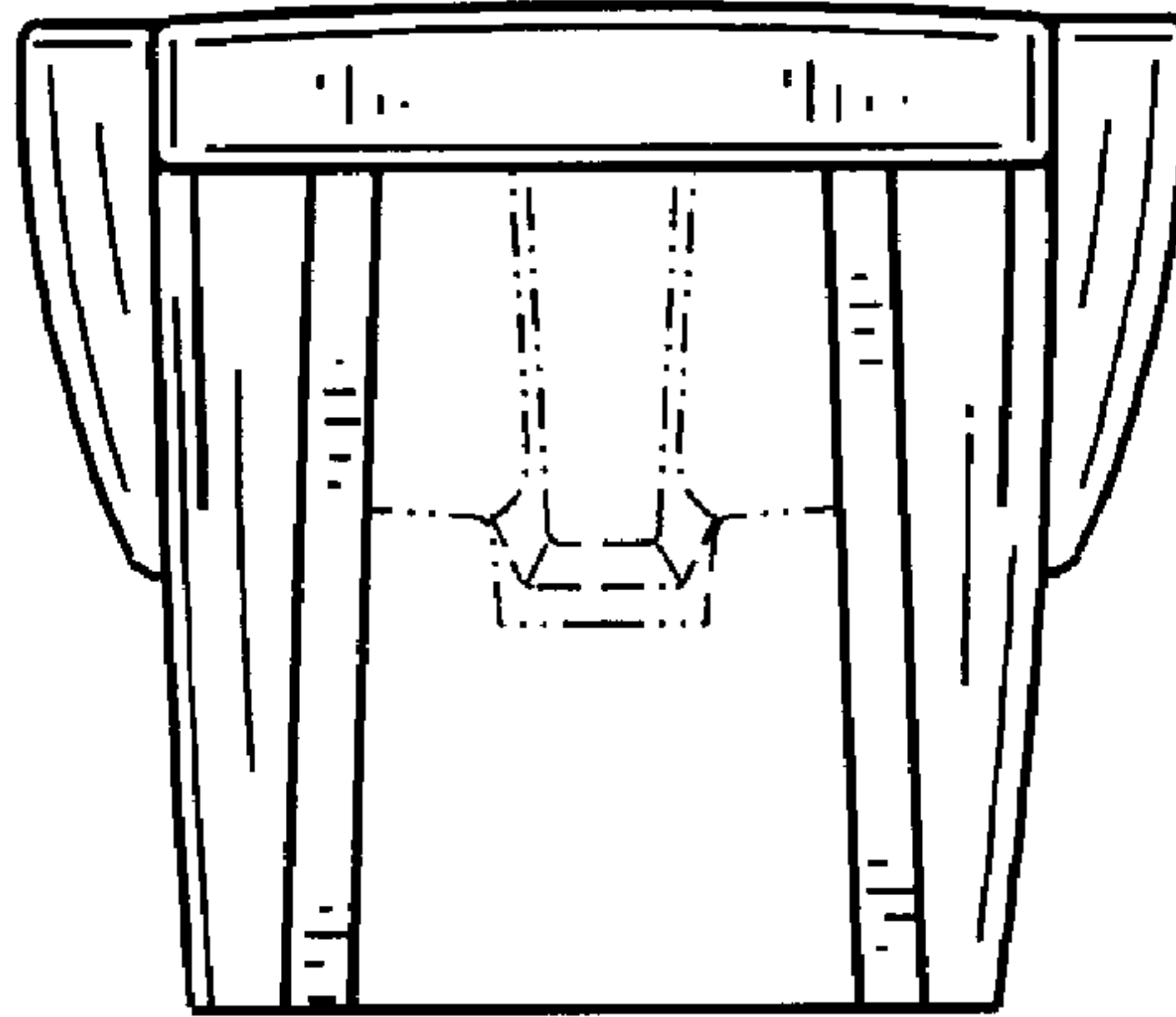


FIG. 11

