



US00D520610S

(12) **United States Design Patent**
Wrate

(10) **Patent No.:** **US D520,610 S**

(45) **Date of Patent:** **** May 9, 2006**

(54) **ANTI-SPLASH URINAL SCREEN**

D456,492 S * 4/2002 Lourens D23/261
D464,122 S * 10/2002 Mangan D23/261

(76) Inventor: **Leonard A. Wrate**, 1601 S. Pacific St.,
Apt. A2, Oceanside, CA (US) 92054

* cited by examiner

(**) Term: **14 Years**

Primary Examiner—Robin Webster

(21) Appl. No.: **29/217,643**

(57) **CLAIM**

(22) Filed: **Nov. 22, 2004**

The ornamental design for an anti-splash urinal screen, as shown and described.

(51) **LOC (8) Cl.** **23-01**

DESCRIPTION

(52) **U.S. Cl.** **D23/261; D4/130**

(58) **Field of Classification Search** D23/261,
D23/260; D4/130; 4/222.1, 309
See application file for complete search history.

FIG. 1 is a top perspective view of an anti-splash urinal screen showing my new design;
FIG. 2 is a top plan view thereof;
FIG. 3 is a front elevation view thereof;
FIG. 4 is a right side elevation view thereof, the left side elevation view is a mirror image of the right side;
FIG. 5 is a bottom elevation view thereof; and,
FIG. 6 is a rear elevation view thereof.

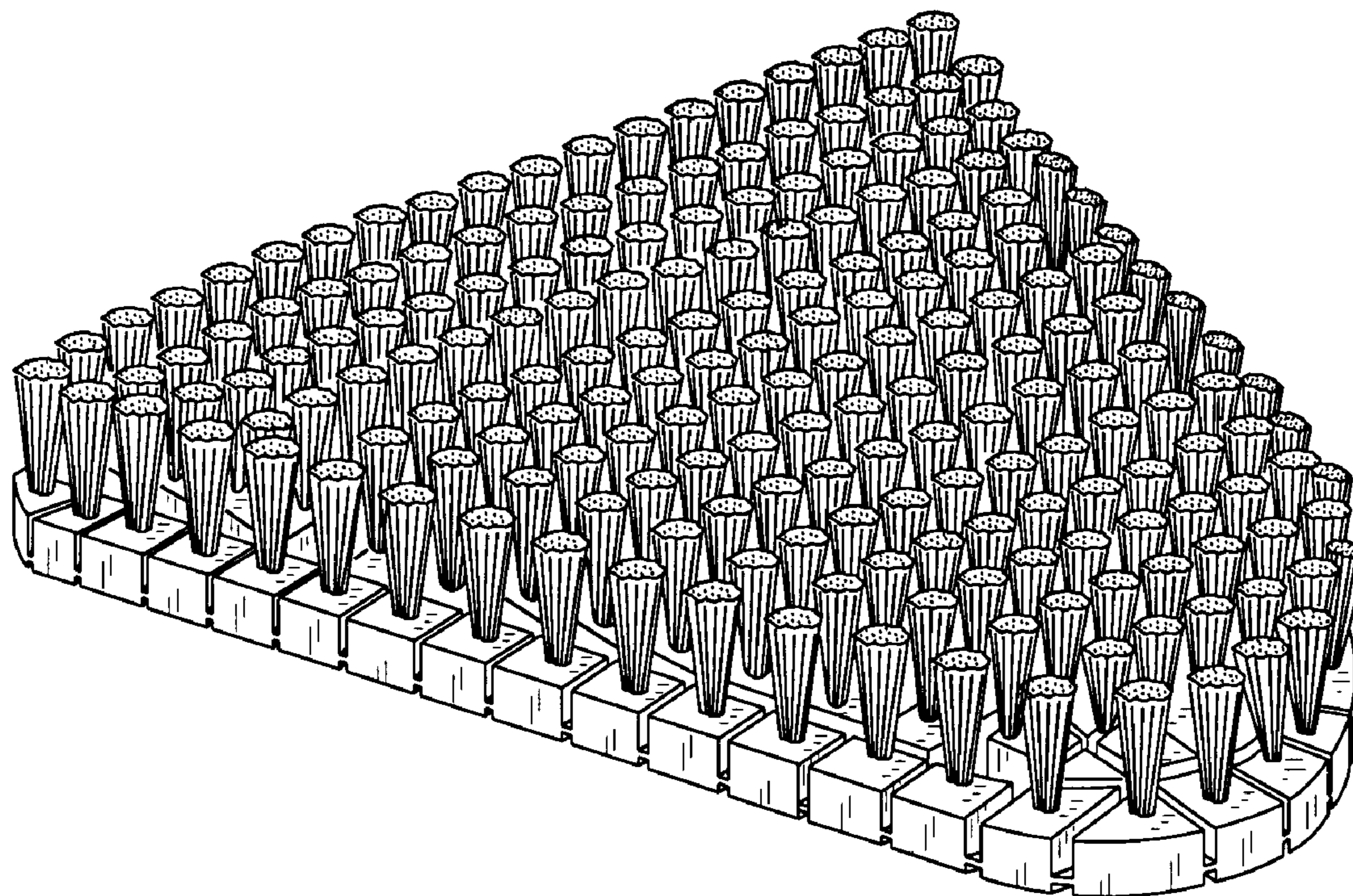
(56) **References Cited**

U.S. PATENT DOCUMENTS

D280,267 S	*	8/1985	Bryant et al.	D4/130
D393,896 S	*	4/1998	Wagner et al.	D23/261
5,813,058 A	*	9/1998	Quigley et al.	4/309
D438,710 S	*	3/2001	Chen	D4/124
D442,246 S	*	5/2001	McCabe et al.	D21/759

The broken lines shown in urinal screen are for illustrative purposes only and forms no part of the claimed design.

1 Claim, 3 Drawing Sheets



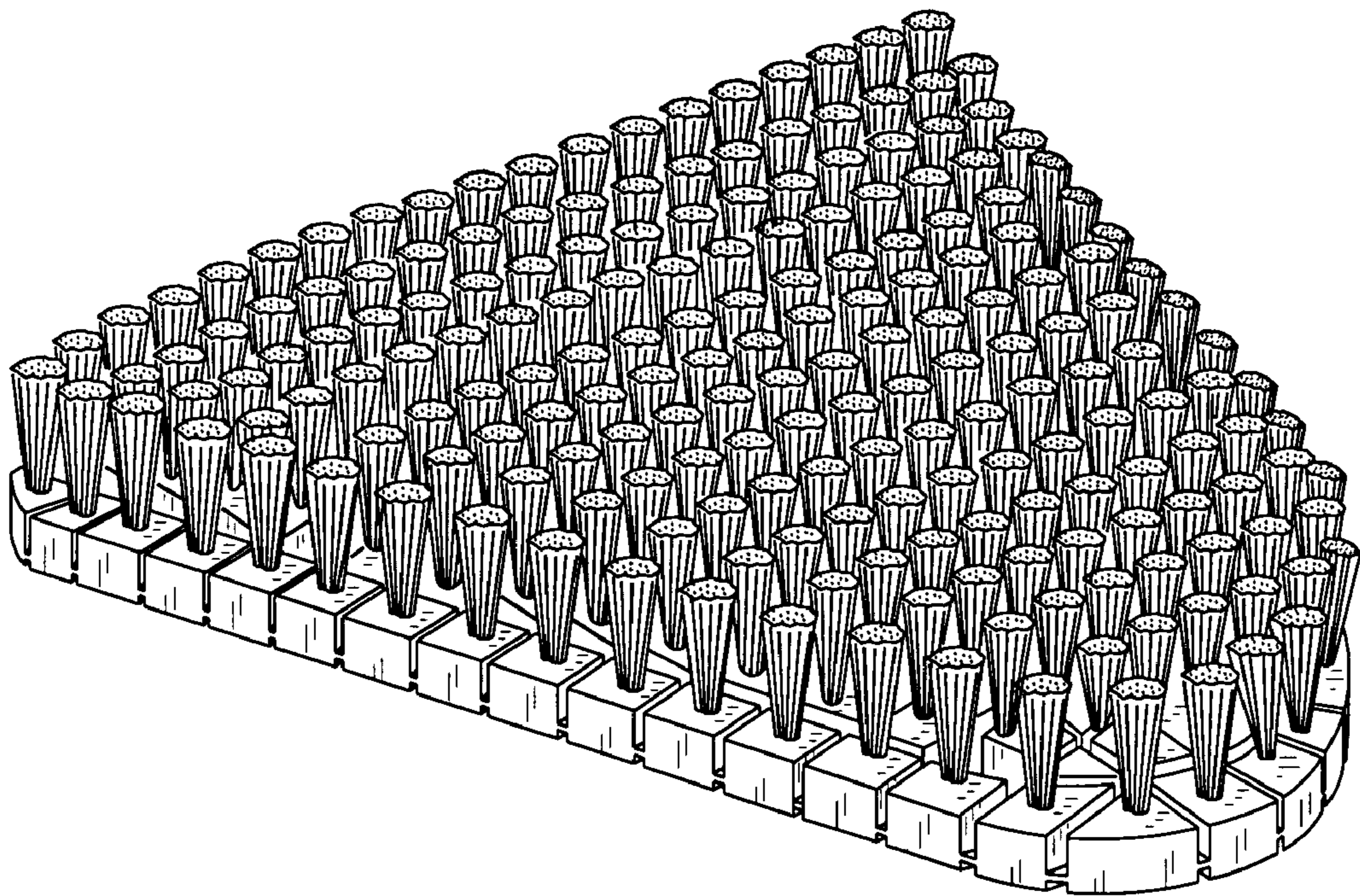


Fig. 1

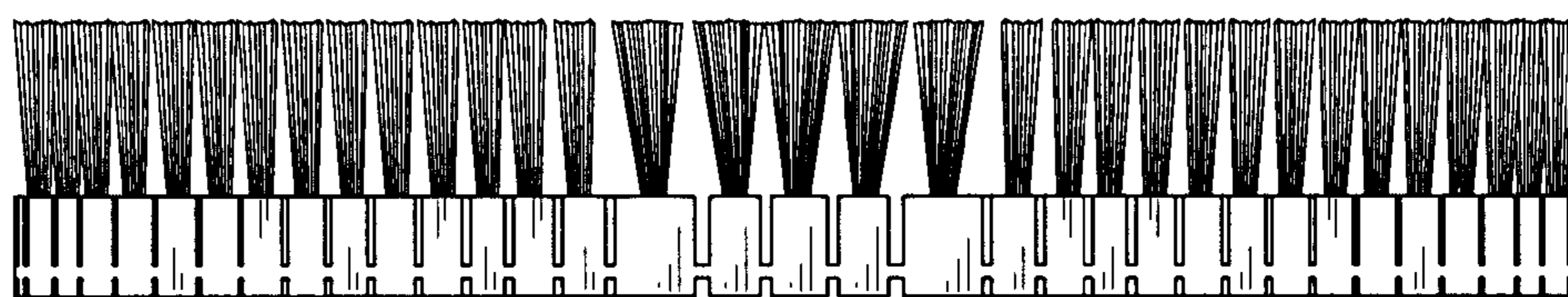
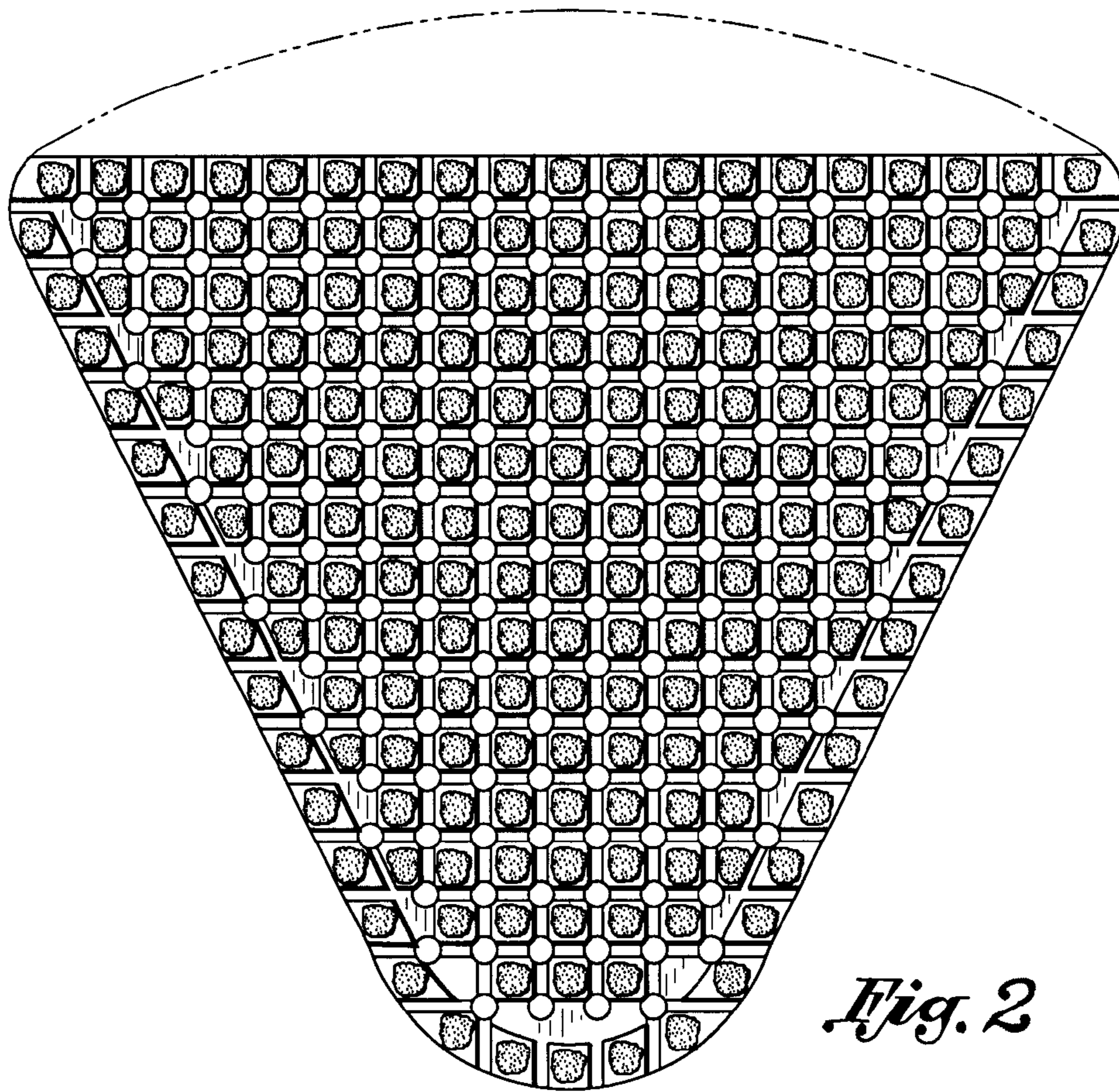


Fig. 3

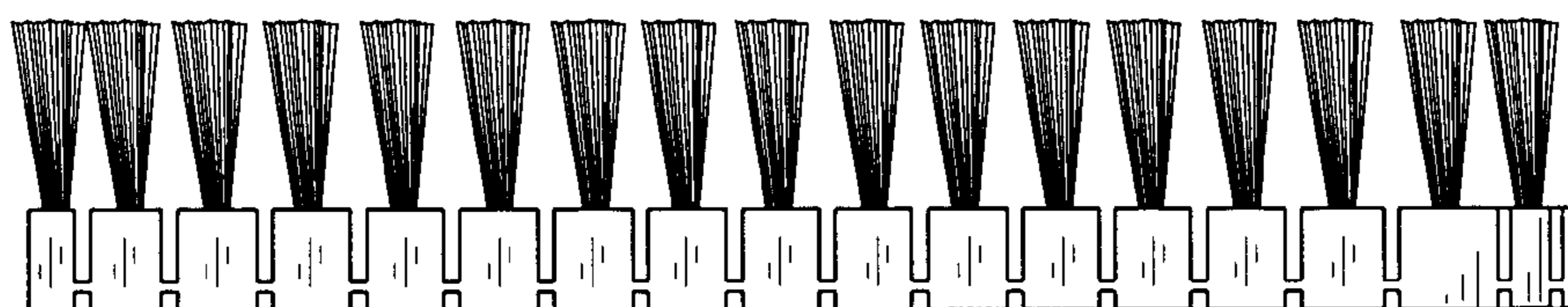


Fig. 4

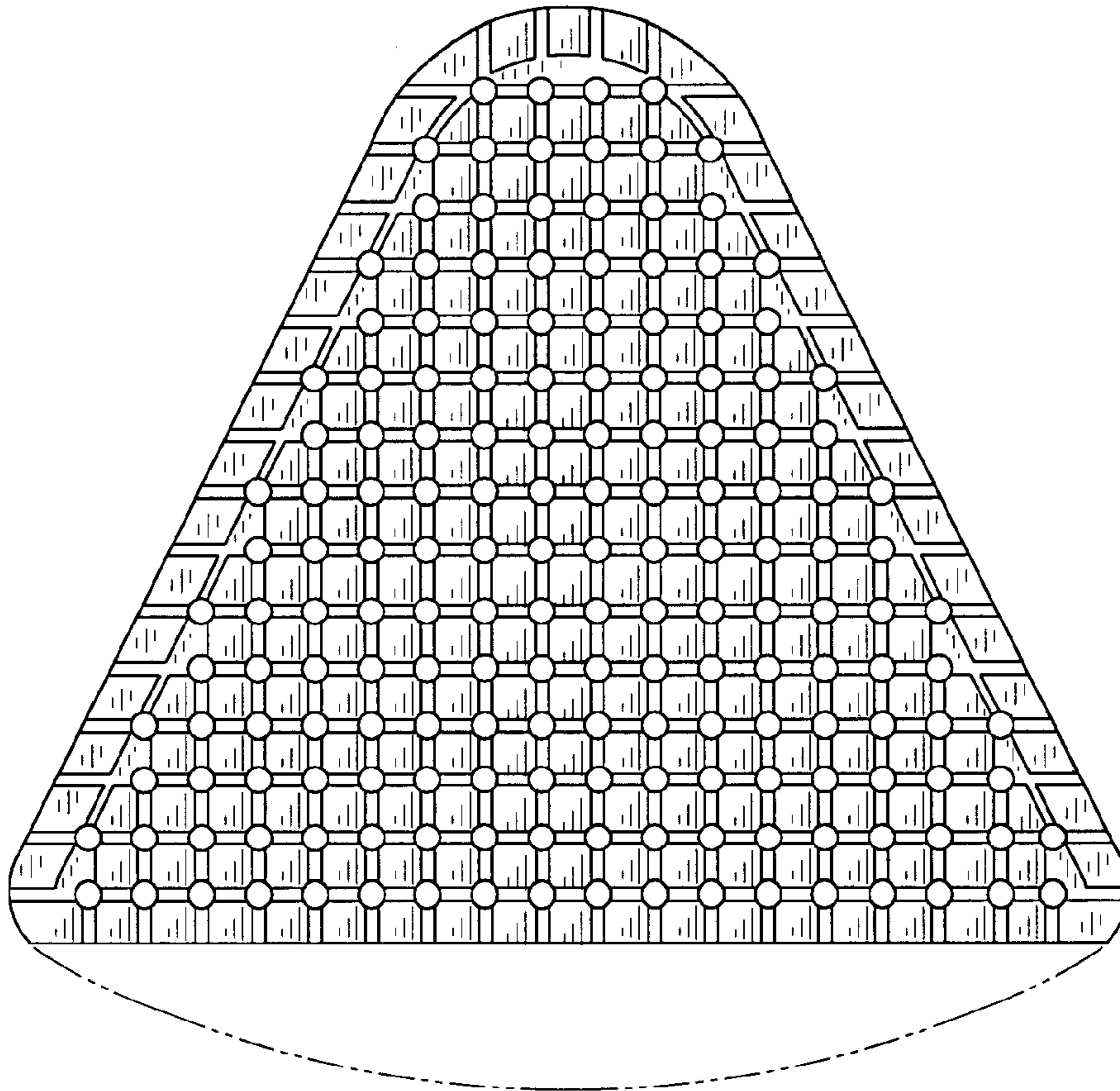


Fig. 5

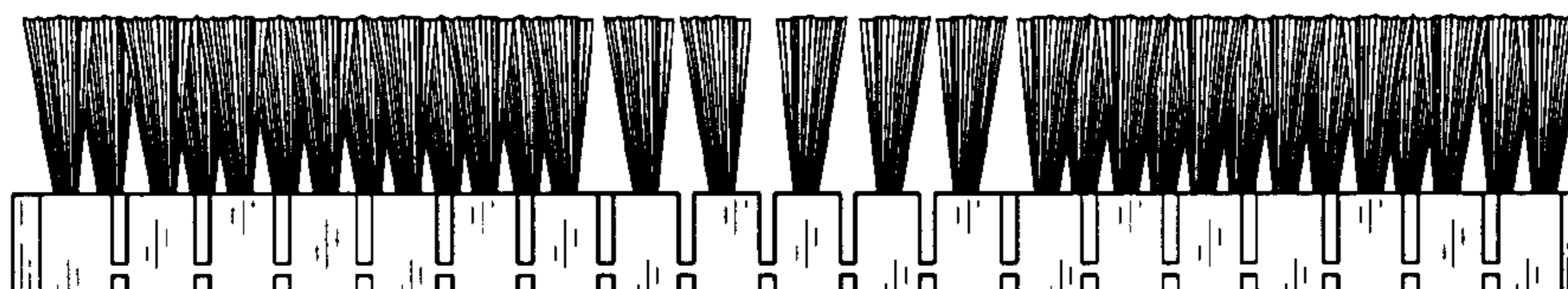


Fig. 6