

US00D520605S

(12) **United States Design Patent**
Gilbert

(10) **Patent No.:** **US D520,605 S**

(45) **Date of Patent:** **** May 9, 2006**

(54) **FAUCET ESCUTCHEON**

(75) Inventor: **Christopher Jon Gilbert**, Moreland Hills, OH (US)

(73) Assignee: **Moen Incorporated**, North Olmsted, OH (US)

(**) Term: **14 Years**

(21) Appl. No.: **29/201,112**

(22) Filed: **Mar. 10, 2004**

(51) **LOC (8) Cl.** **23-01**

(52) **U.S. Cl.** **D23/249; D23/278**

(58) **Field of Classification Search** D23/238-257;
4/675-678; 137/801

See application file for complete search history.

(56) **References Cited**

U.S. PATENT DOCUMENTS

D281,095 S	10/1985	Arnold et al.	
D281,096 S	10/1985	Arnold et al.	
4,827,538 A	5/1989	Heimann et al.	
D314,040 S	1/1991	Heieck	
D326,897 S	6/1992	Williams	
D331,276 S	11/1992	Knapp	
D343,227 S	1/1994	Danneberg et al.	
D364,213 S	11/1995	Danneberg et al.	
D371,428 S	7/1996	Gottwald	
D372,958 S	8/1996	Gottwald	
D377,679 S	1/1997	Gottwald	
D379,213 S	* 5/1997	Gottwald	D23/238
D387,130 S	12/1997	Warshwsky	
D412,025 S	7/1999	Mark et al.	
D428,965 S	8/2000	Slothower	
D437,394 S	2/2001	Mark et al.	
D441,840 S	* 5/2001	Meylan	D23/243
D456,878 S	5/2002	Gottwald	
D457,601 S	5/2002	Gottwald	
D457,938 S	* 5/2002	Lobermeier	D23/238
D460,150 S	7/2002	Rexach	
D463,529 S	9/2002	Dretzka	

D463,530 S	9/2002	Dretzka	
D468,398 S	* 1/2003	Ziemann	D23/238
D469,157 S	1/2003	Lobermeier	
D470,224 S	* 2/2003	Hanna	D23/238
D472,961 S	* 4/2003	Ziemann	D23/238
D473,630 S	4/2003	Wettstein et al.	
D477,052 S	7/2003	Kollmann et al.	
D479,309 S	9/2003	Haug et al.	
D479,310 S	* 9/2003	Ziemann	D23/238
D479,579 S	9/2003	Haug et al.	
D479,584 S	9/2003	Shieh	
D479,870 S	9/2003	Hung	
D488,210 S	* 4/2004	Lord	D23/238

* cited by examiner

Primary Examiner—Louis S. Zarfaz

Assistant Examiner—Gregory Andoll

(74) *Attorney, Agent, or Firm*—Calfee, Halter & Griswold LLP

(57) **CLAIM**

The ornamental design for a faucet escutcheon, as shown and described.

DESCRIPTION

FIG. 1 is a perspective view of a faucet escutcheon of the new design;

FIG. 2 is a top plan view of the faucet escutcheon of FIG. 1;

FIG. 3 is a left side elevational view of the faucet escutcheon of FIG. 1;

FIG. 4 is a front elevational view of the faucet escutcheon of FIG. 1;

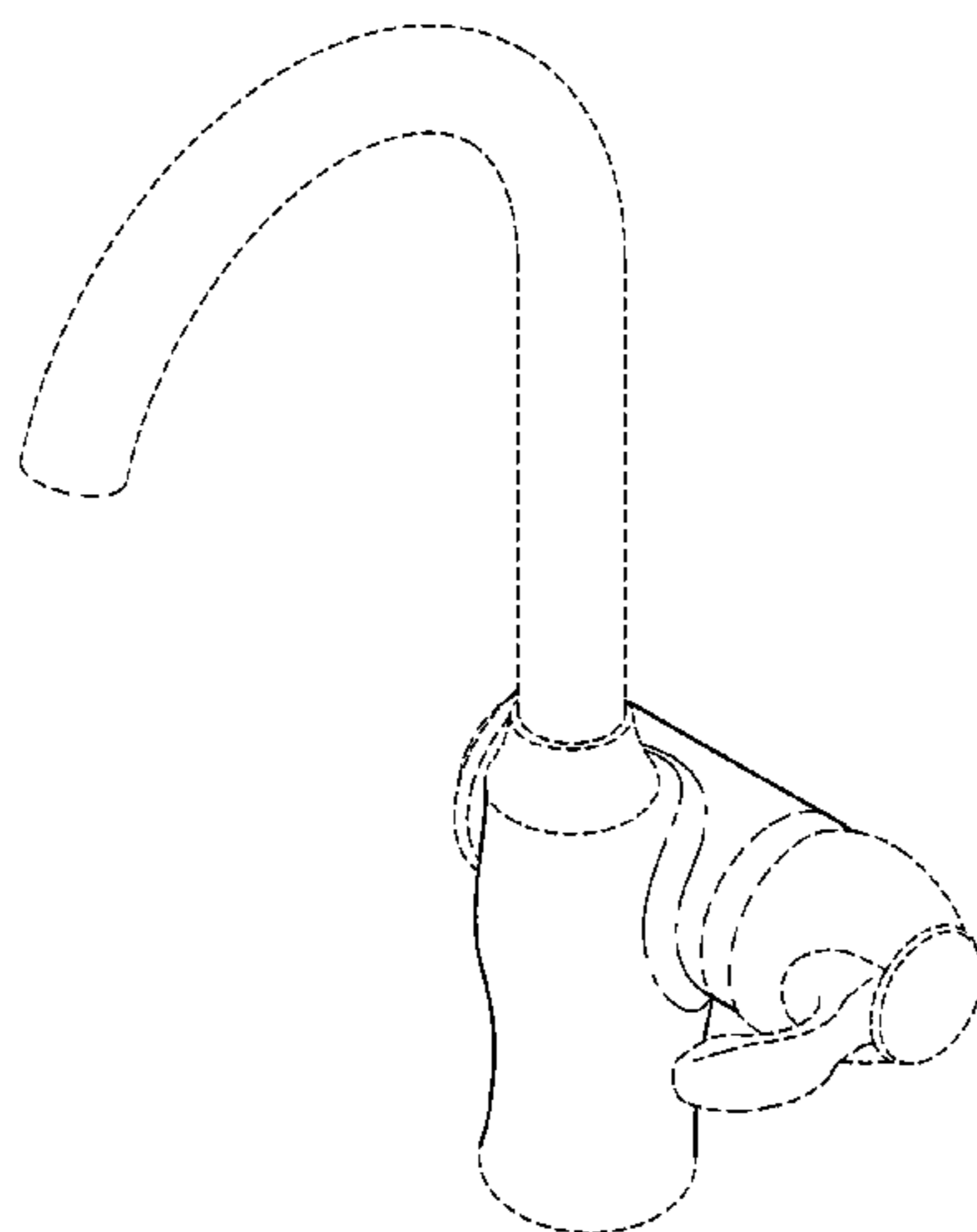
FIG. 5 is a right side elevational view of the faucet escutcheon of FIG. 1;

FIG. 6 is a rear elevational view of the faucet escutcheon of FIG. 1; and,

FIG. 7 is a bottom plan view of the faucet escutcheon of FIG. 1.

The portions of the Figures shown in phantom lines are not part of the claimed design and are for illustration only.

1 Claim, 3 Drawing Sheets



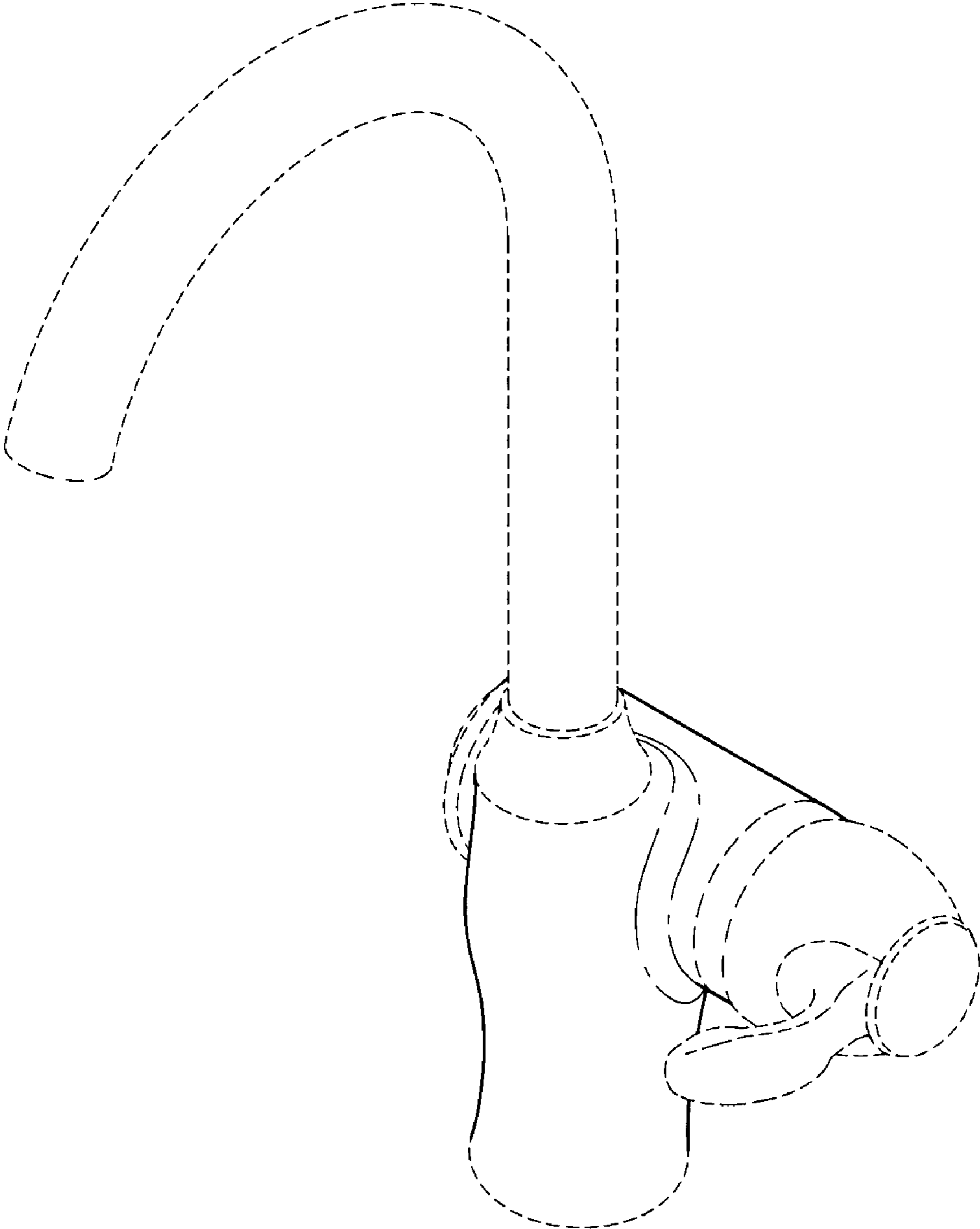


FIG. 1

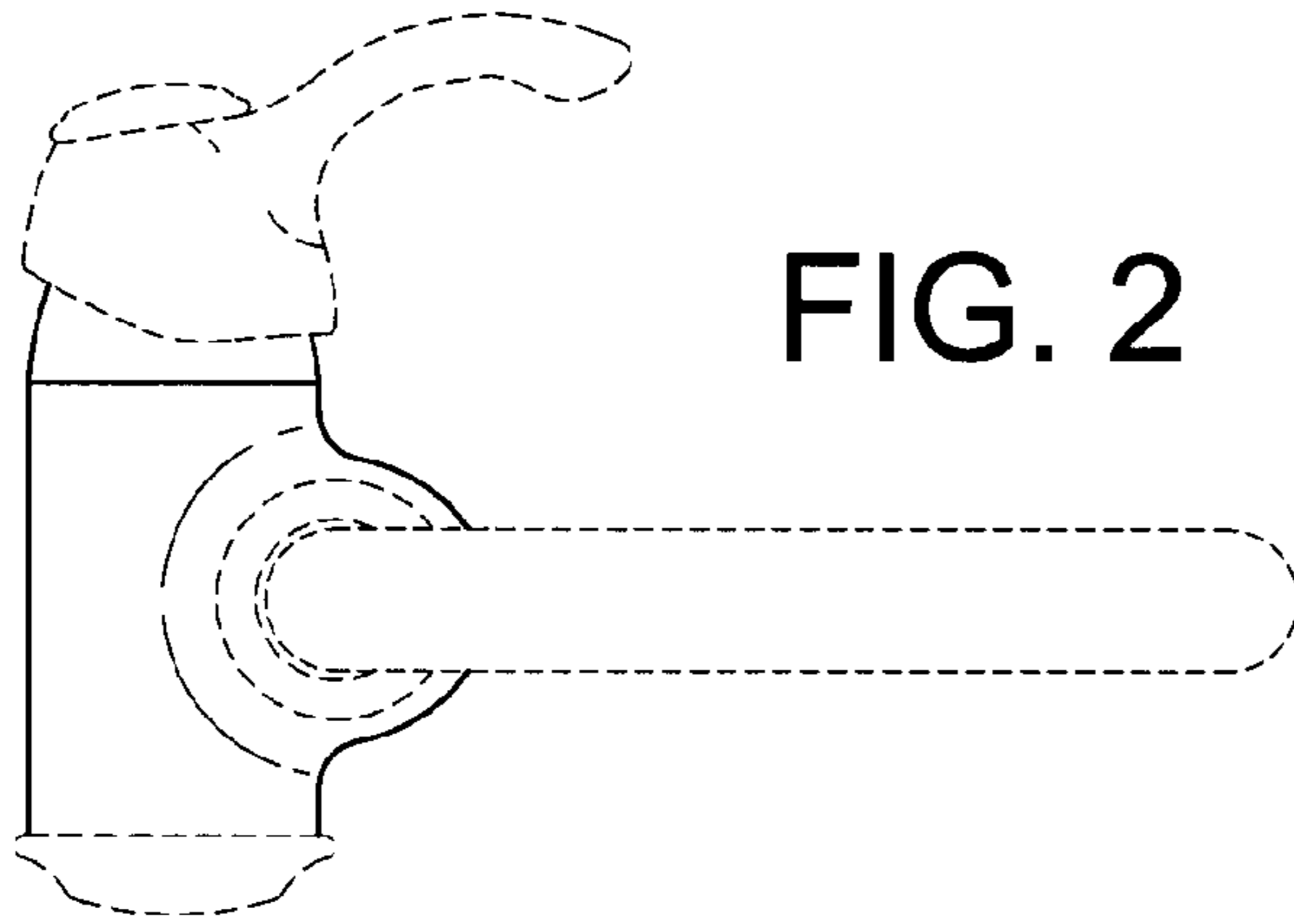


FIG. 2

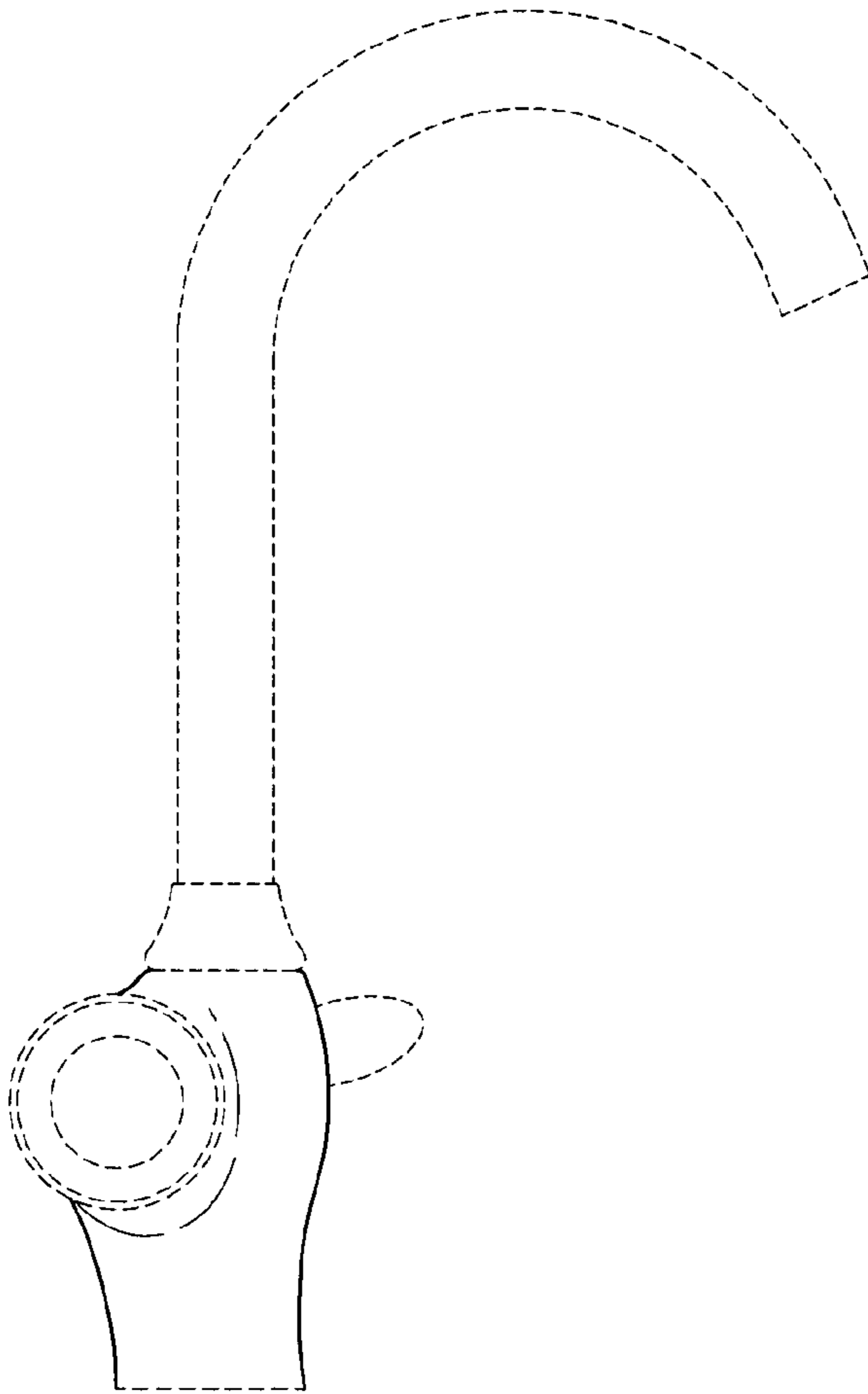


FIG. 3

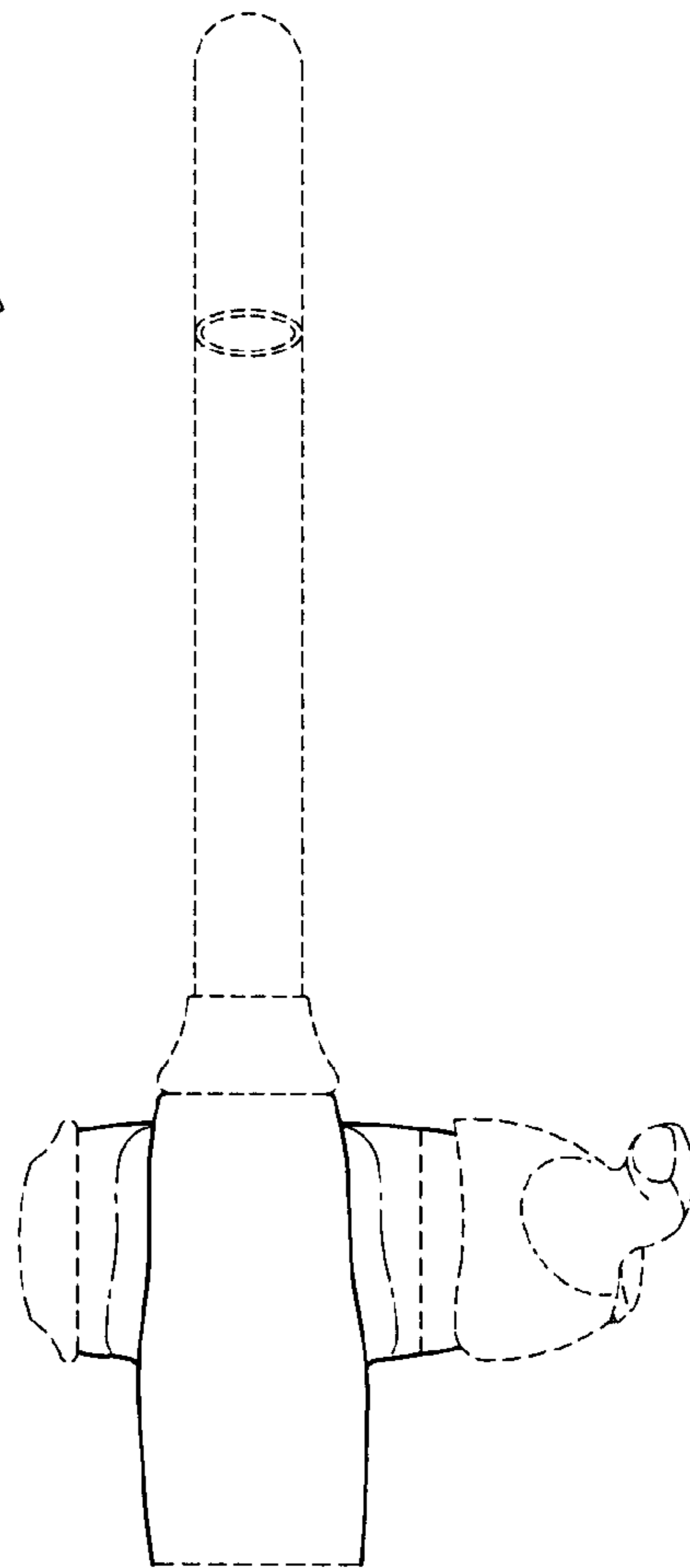


FIG. 4

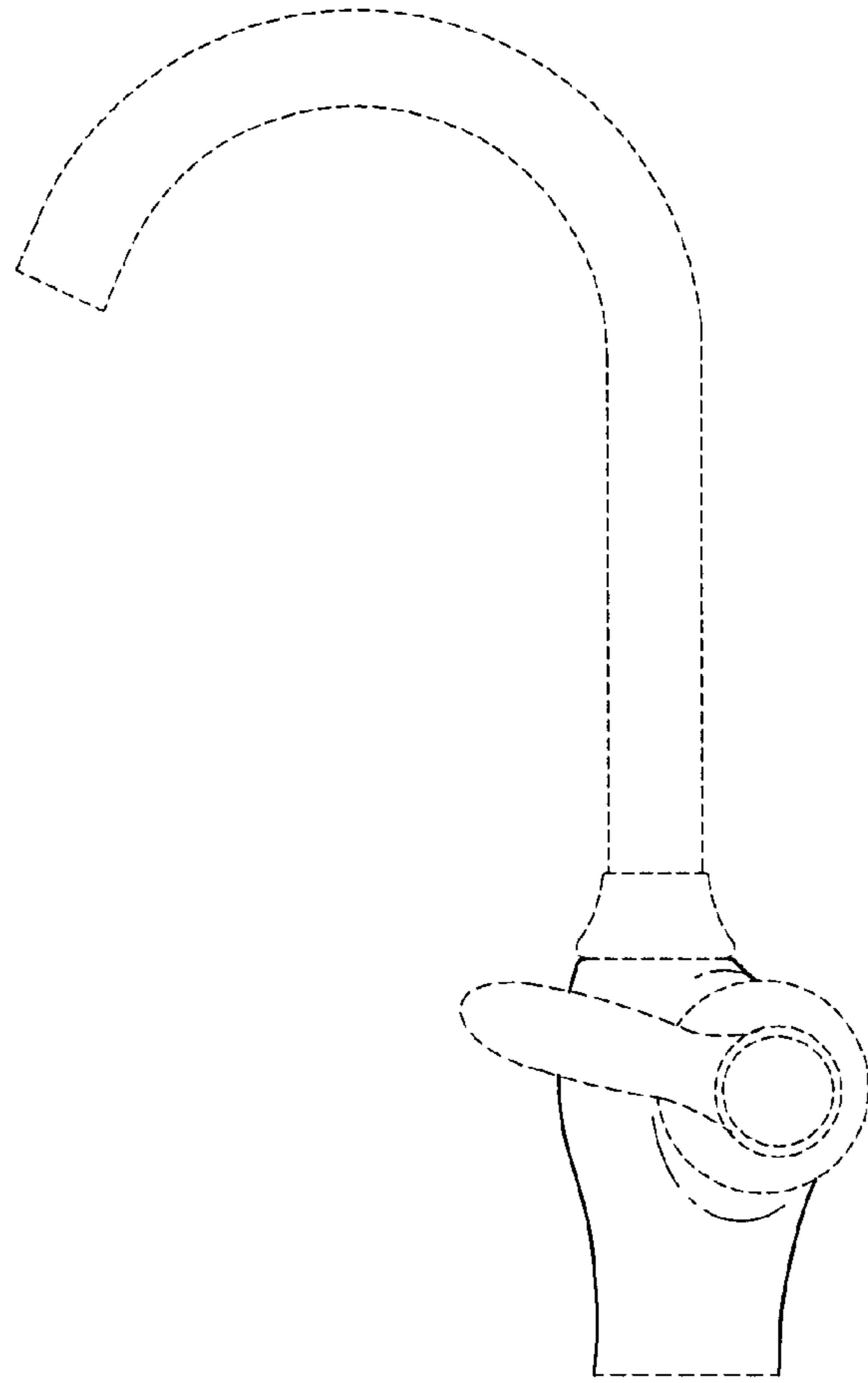


FIG. 5

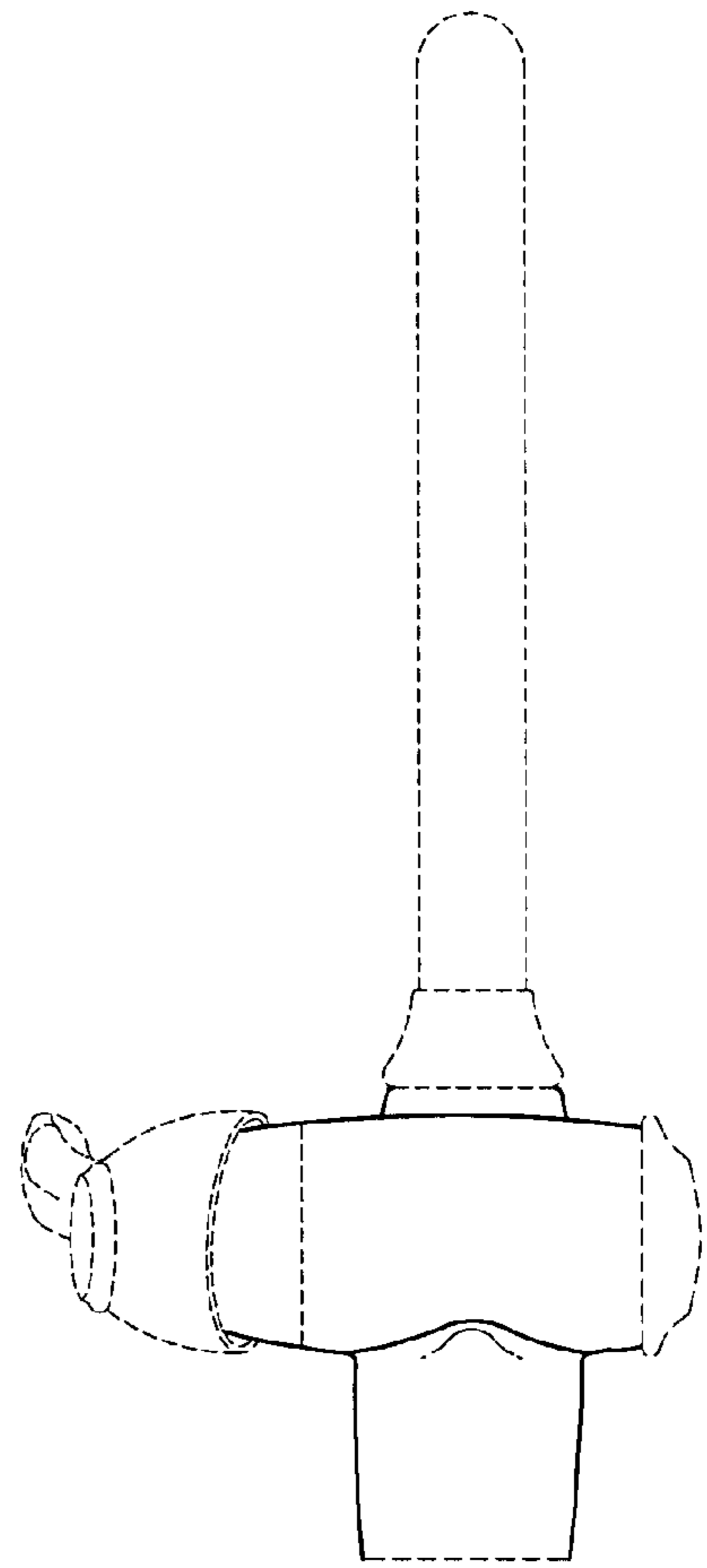


FIG. 6

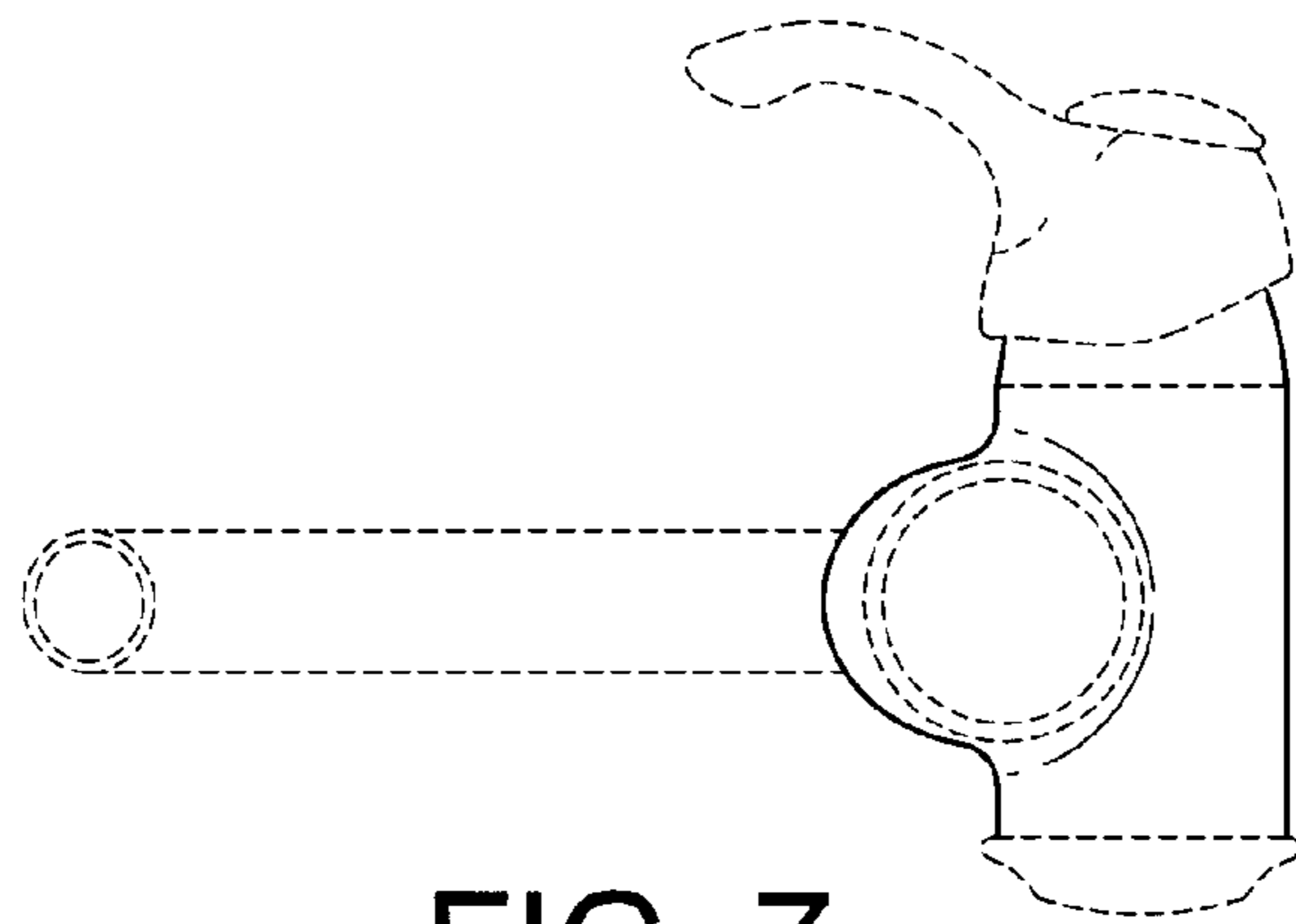


FIG. 7