



US00D520595S

(12) **United States Design Patent**  
**Johnson et al.**

(10) **Patent No.:** **US D520,595 S**

(45) **Date of Patent:** **\*\* May 9, 2006**

(54) **FILTRATION MACHINE**

5,482,626 A \* 1/1996 Lohnes et al. .... 210/340  
D424,660 S \* 5/2000 Teran et al. .... D23/207  
6,485,634 B1 \* 11/2002 Warren et al. .... 210/85

(75) Inventors: **Raymond Ford Johnson**, White Oak, TX (US); **Markley Dean Johnson**, Gladewater, TX (US); **Rodney Graze**, Lindale, TX (US)

\* cited by examiner

(73) Assignee: **LJC Technologies, LLC**, Tyler, TX (US)

*Primary Examiner*—Robin Webster  
(74) *Attorney, Agent, or Firm*—Scott L. Harper, Carstens & Cahoon, LLP

(\*\*) Term: **14 Years**

(57) **CLAIM**

(21) Appl. No.: **29/222,294**

The ornamental design for the filtration machine, as shown and described.

(22) Filed: **Jan. 27, 2005**

**DESCRIPTION**

(51) **LOC (8) Cl.** ..... **23-01**

(52) **U.S. Cl.** ..... **D23/207**

(58) **Field of Classification Search** ..... D23/207, D23/209; 210/85, 241, 259, 416.3

See application file for complete search history.

FIG. 1 is a front elevation view of the filtration machine; FIG. 2 is a back elevation view of the filtration machine; FIG. 3 is a left side elevation view of the filtration machine; and,

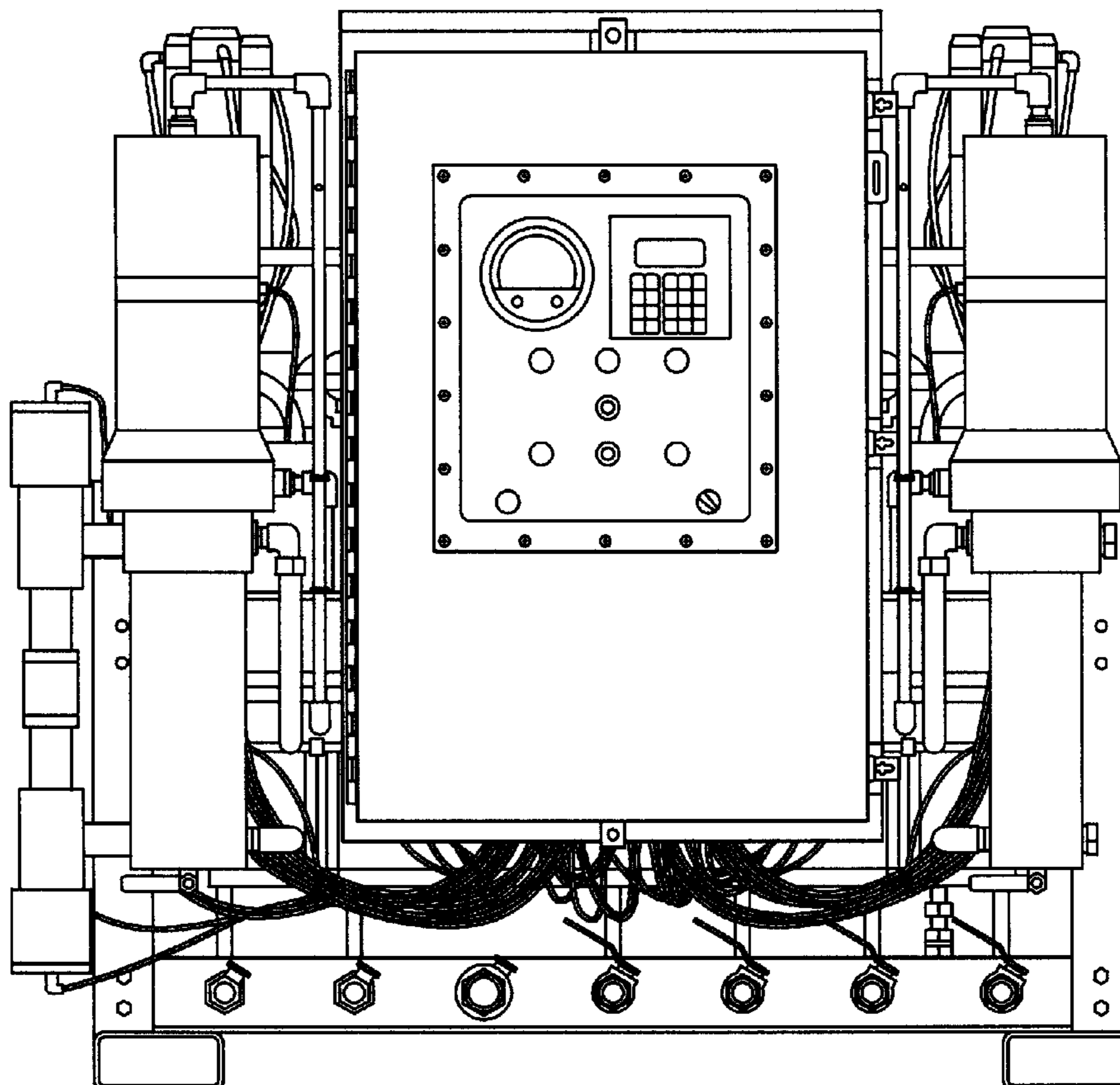
FIG. 4 is a right side elevation view of the filtration machine.

(56) **References Cited**

**U.S. PATENT DOCUMENTS**

4,513,614 A \* 4/1985 Adcock ..... 73/169

**1 Claim, 4 Drawing Sheets**



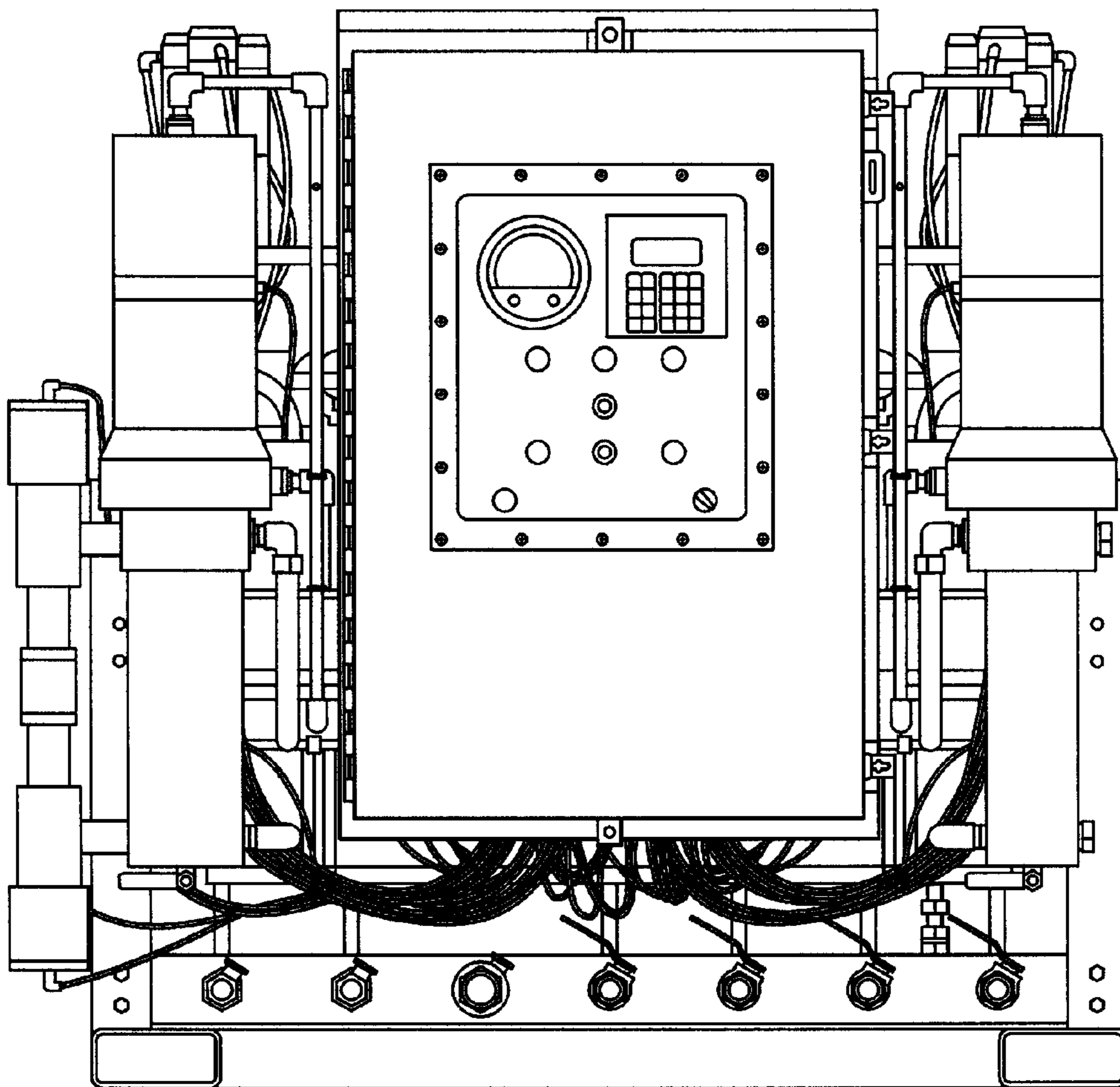


FIG. 1

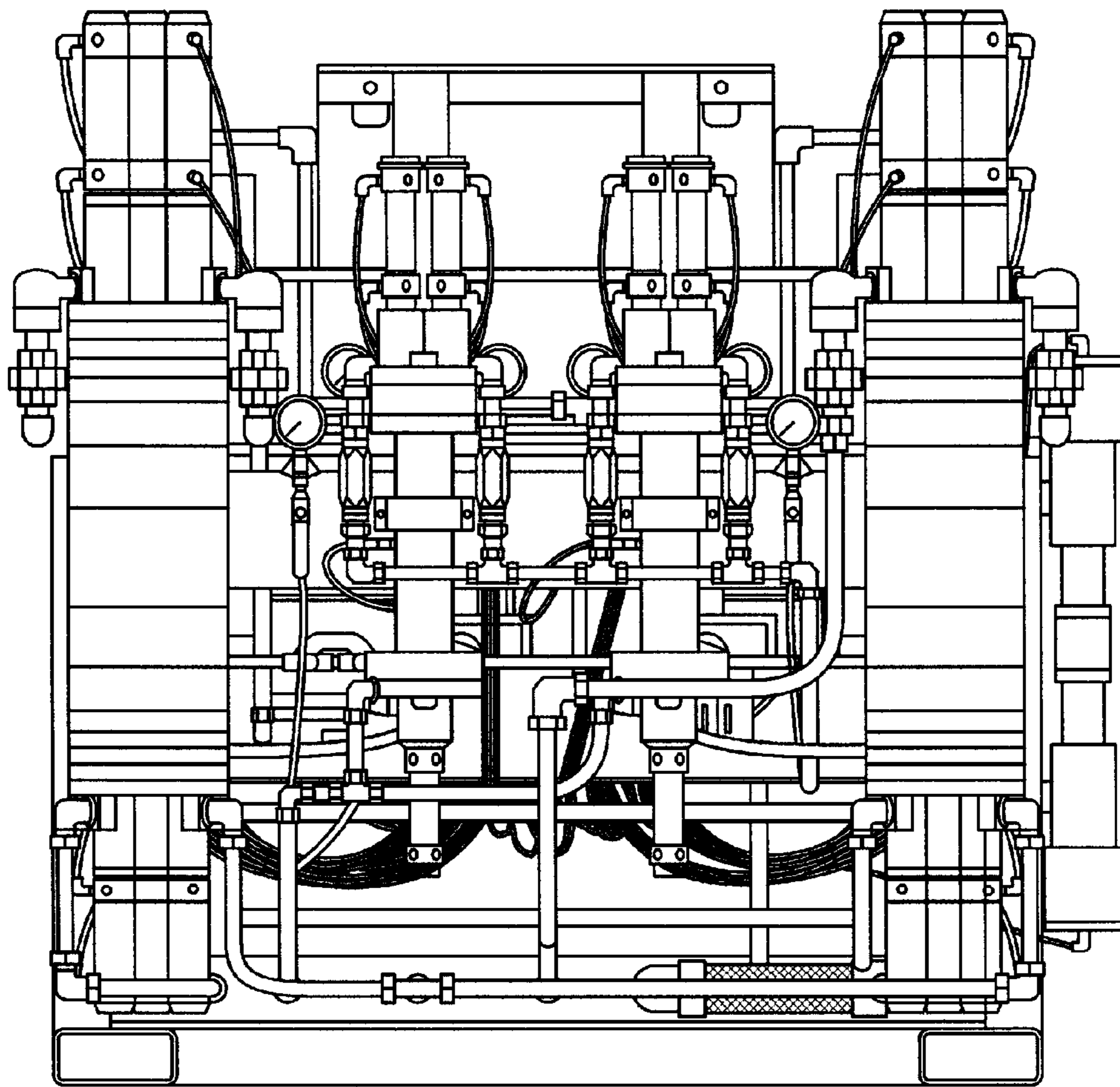
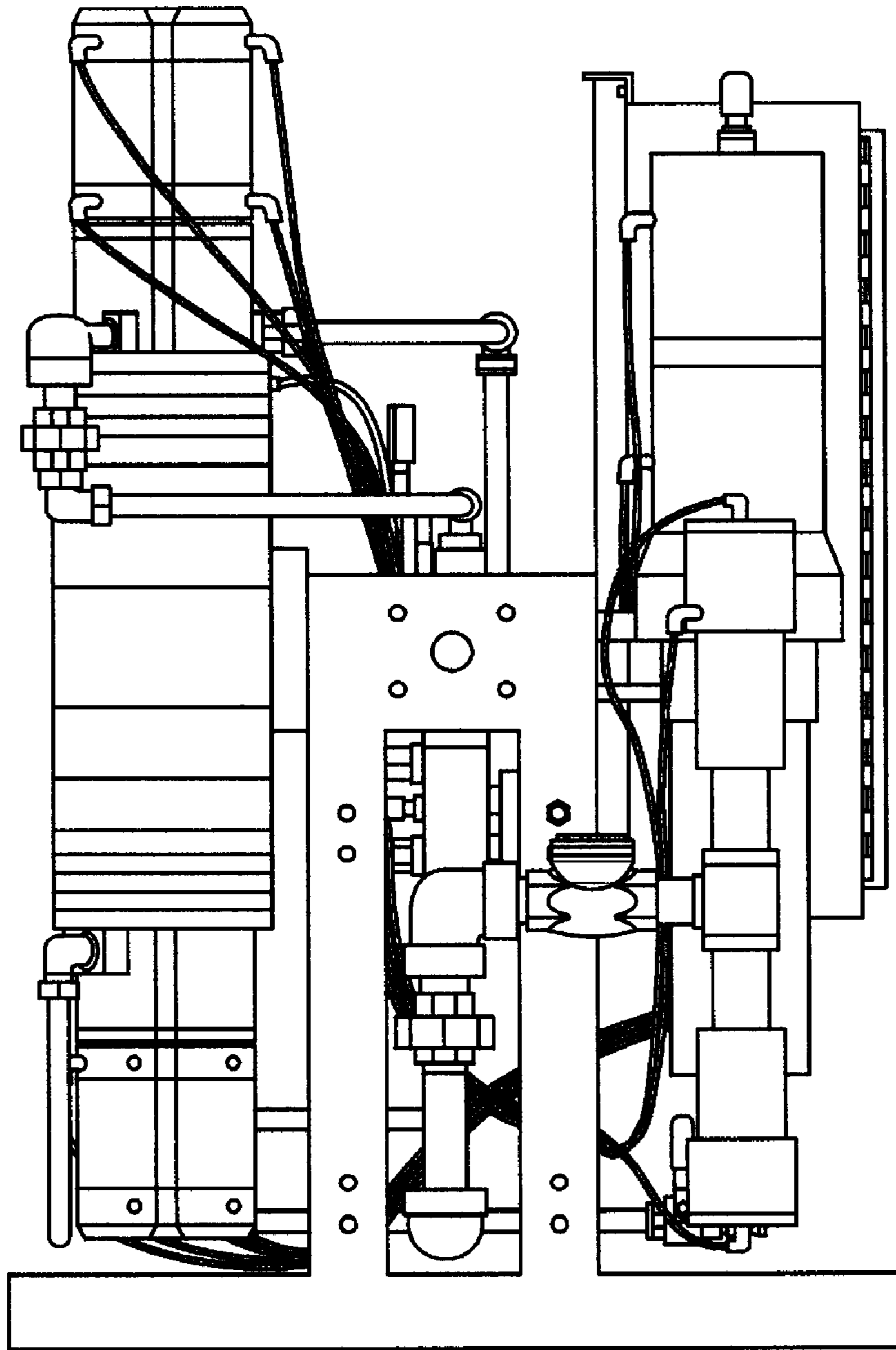
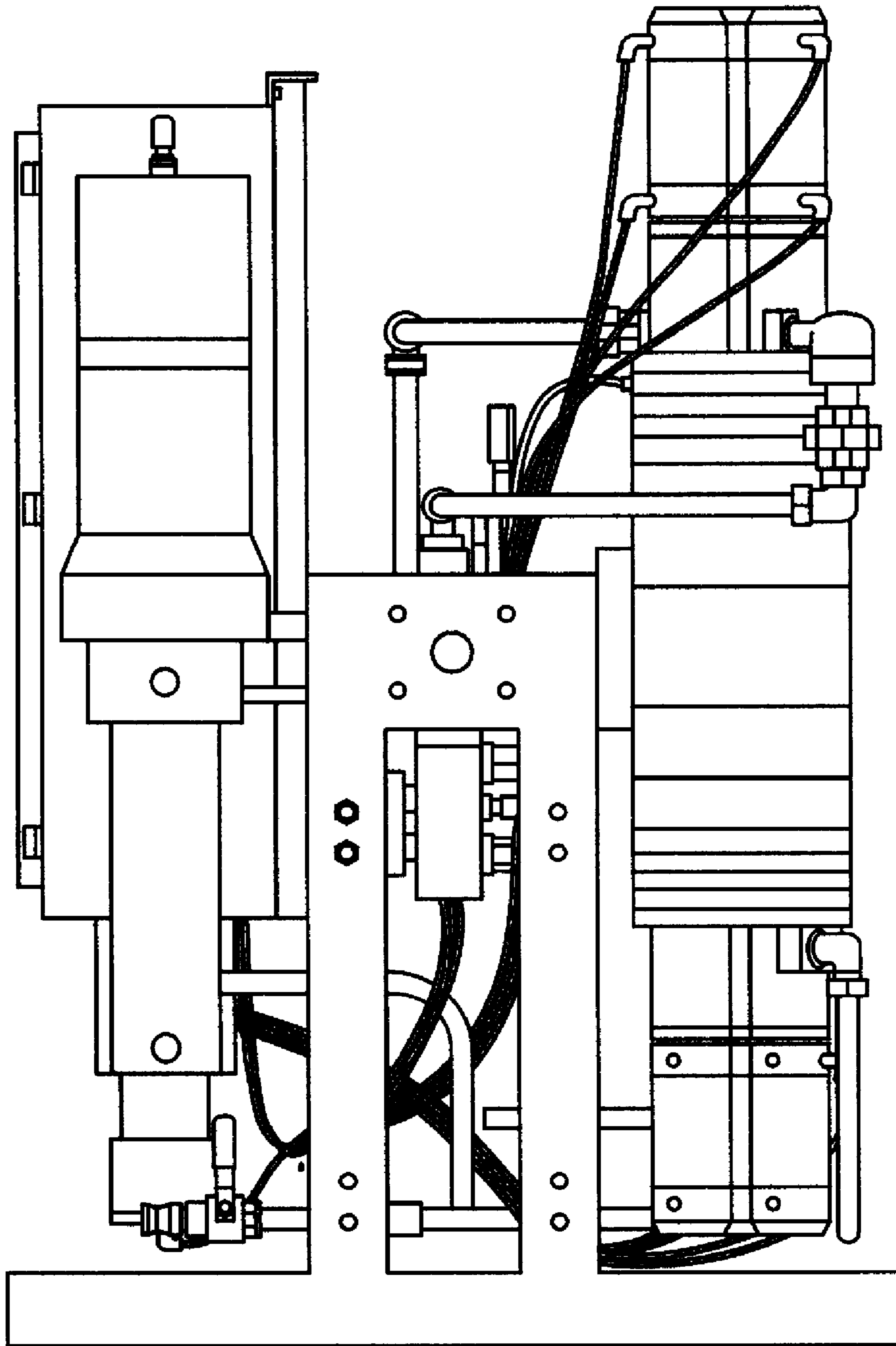


FIG. 2



**FIG. 3**



**FIG. 4**