



US00D520584S

(12) **United States Design Patent**  
**Karlsen**

(10) **Patent No.:** **US D520,584 S**

(45) **Date of Patent:** **\*\* May 9, 2006**

(54) **GOLF PUTTER HEAD**

D399,274 S \* 10/1998 Bradford ..... D21/736  
D501,233 S \* 1/2005 Thomas ..... D21/736

(75) Inventor: **Jon Karlsen**, Horten (NO)

\* cited by examiner

(73) Assignee: **Devilray AS**, Oslo (NO)

*Primary Examiner*—Mitchell Siegel

(\*\*) Term: **14 Years**

(74) *Attorney, Agent, or Firm*—Andrus, Scales, Starke & Sawall, LLP

(21) Appl. No.: **29/217,525**

(57) **CLAIM**

(22) Filed: **Nov. 18, 2004**

I claim the ornamental design for a golf putter head, as shown.

(51) **LOC (8) Cl.** ..... **21-02**

(52) **U.S. Cl.** ..... **D21/743**

(58) **Field of Classification Search** ..... D21/736–746;  
473/324–331, 340, 341, 251–256  
See application file for complete search history.

**DESCRIPTION**

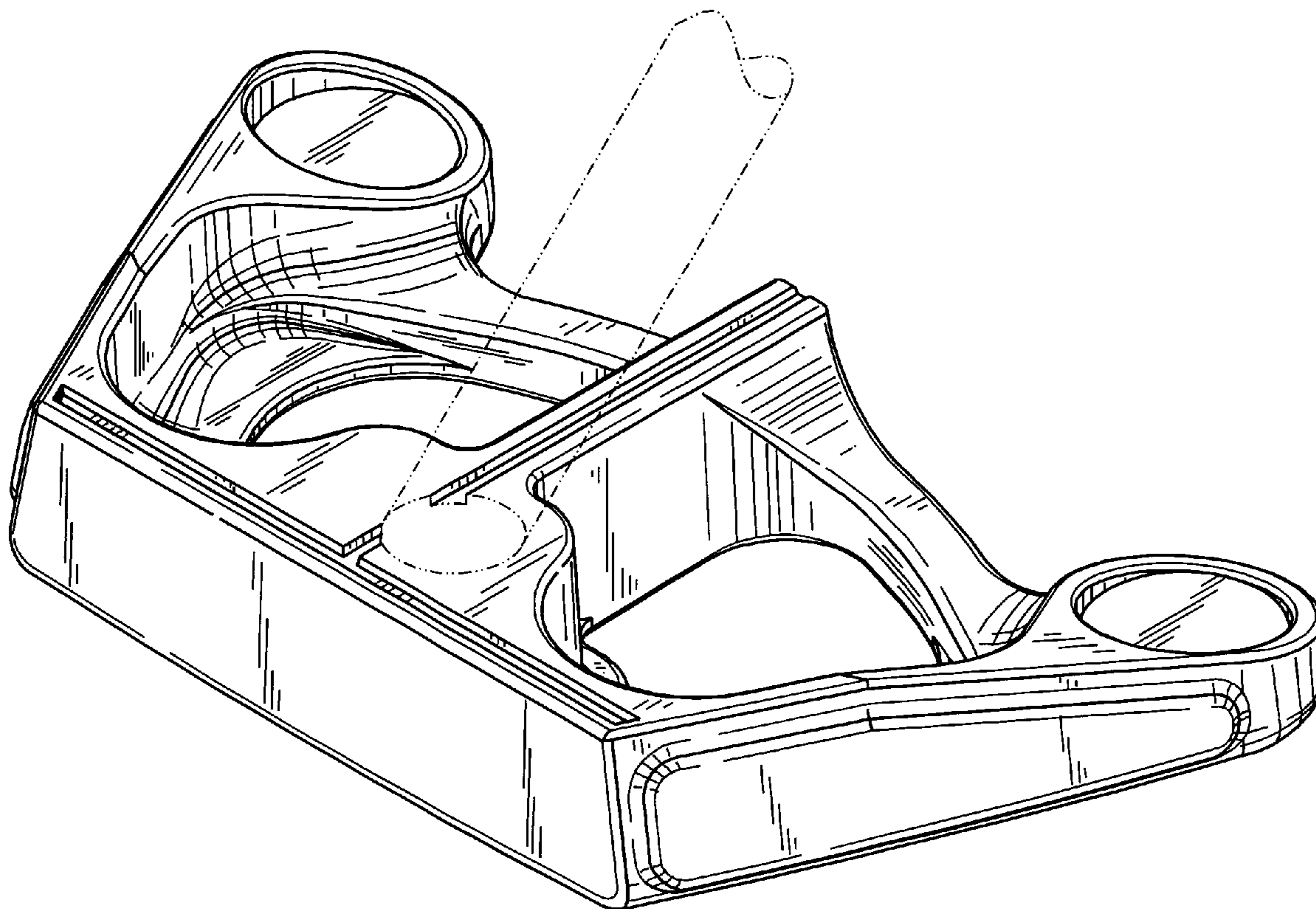
FIG. 1 is a front perspective view of a golf putter head showing my new design;  
FIG. 2 is a top view thereof;  
FIG. 3 is a front view thereof;  
FIG. 4 is a side view thereof;  
FIG. 5 is a rear view thereof; and,  
FIG. 6 is a bottom view thereof.  
The broken line showing is for illustrative purposes only and forms no part of the claimed design.

(56) **References Cited**

**U.S. PATENT DOCUMENTS**

D333,331 S	*	2/1993	Evans	.....	D21/741
D359,330 S	*	6/1995	Channell	.....	D21/741
D380,801 S	*	7/1997	Steele	.....	D21/744
D381,382 S	*	7/1997	Fenton, Jr.	.....	D21/743
D389,539 S	*	1/1998	Moore	.....	D21/739

**1 Claim, 5 Drawing Sheets**



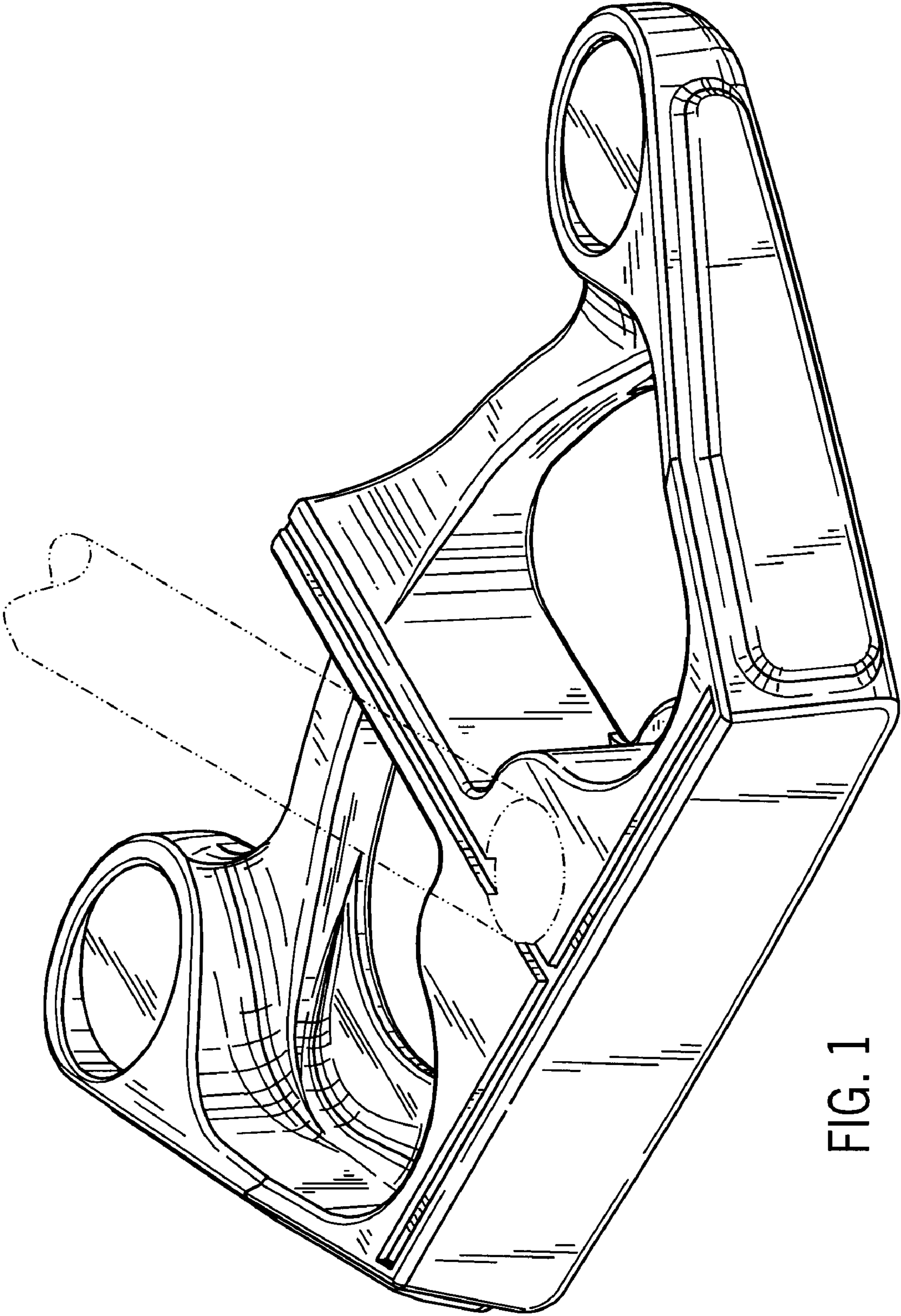


FIG. 1

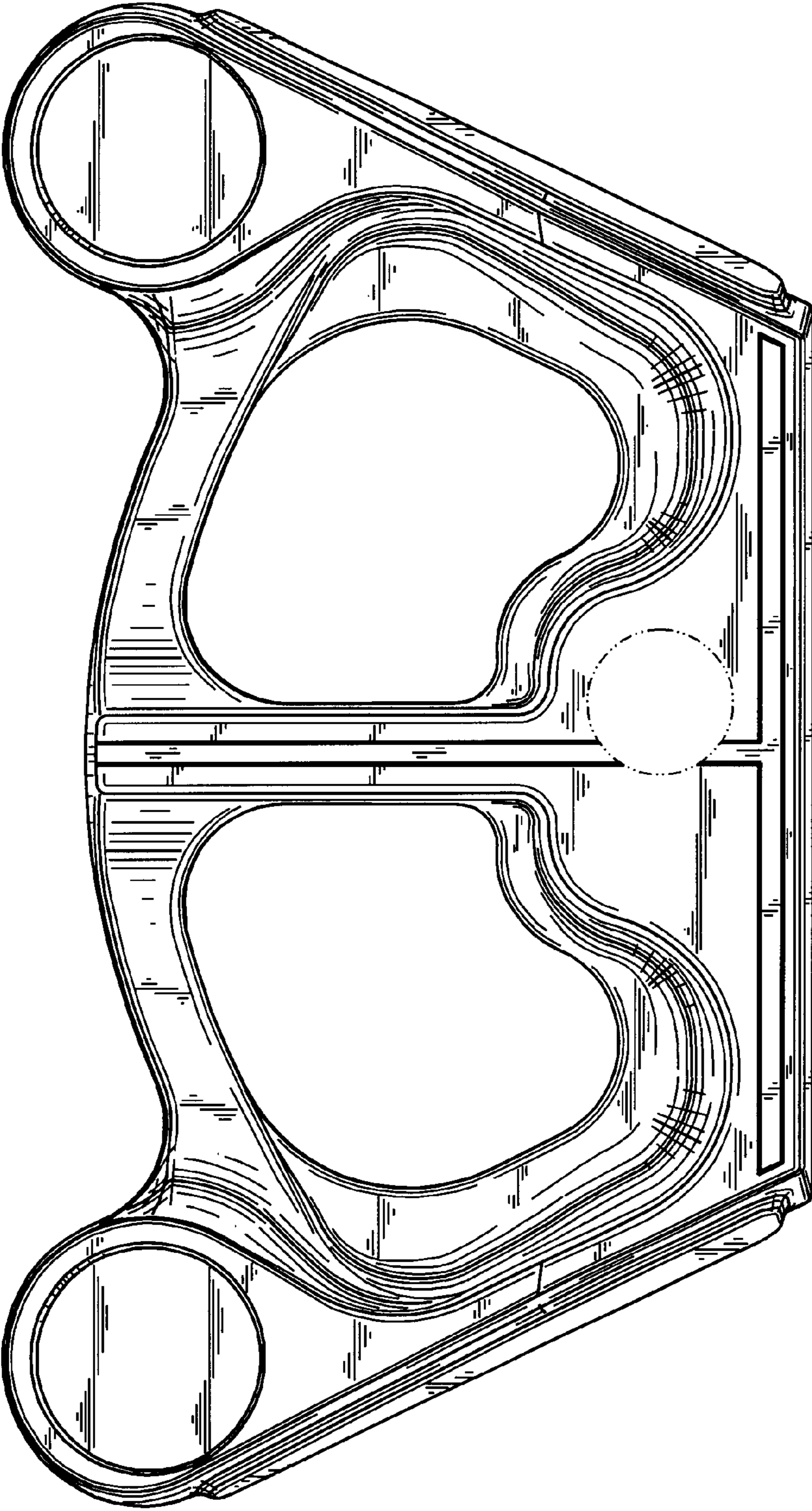


FIG. 2

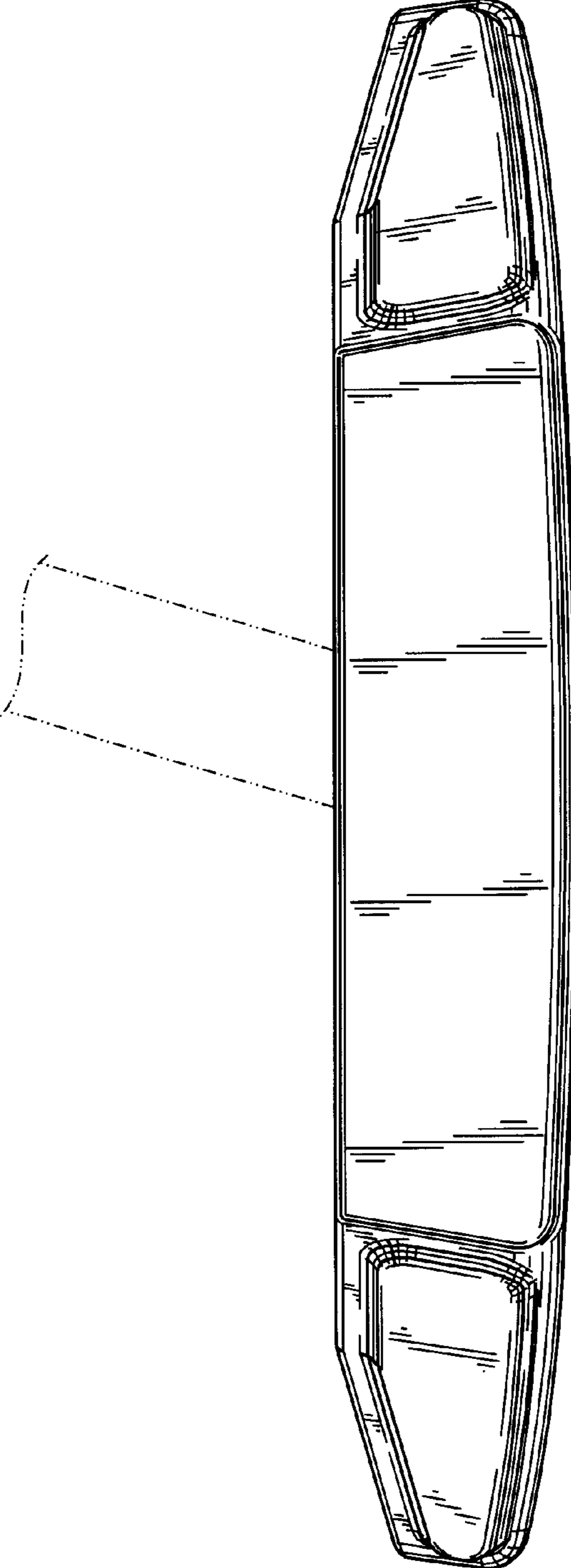


FIG. 3

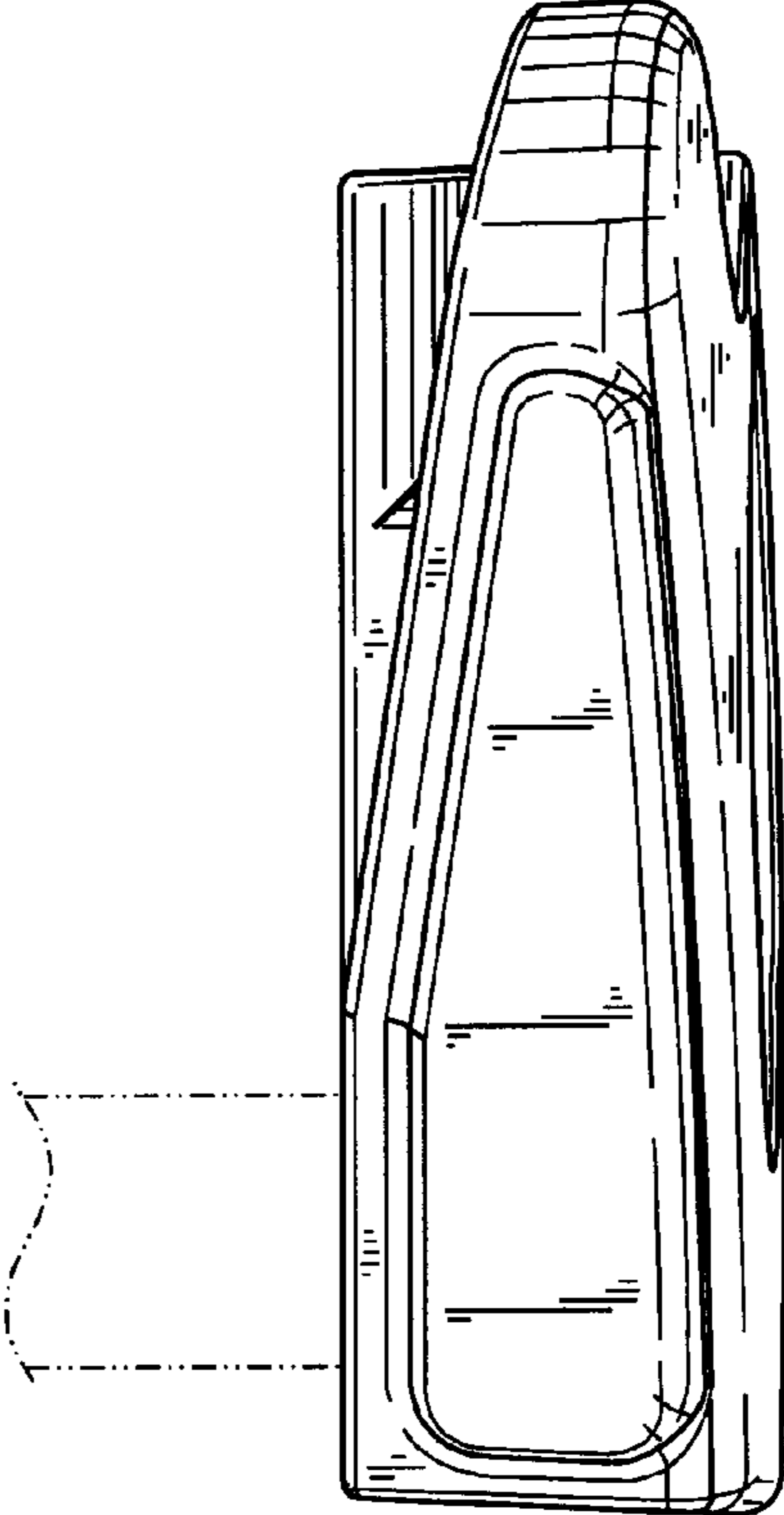


FIG. 4

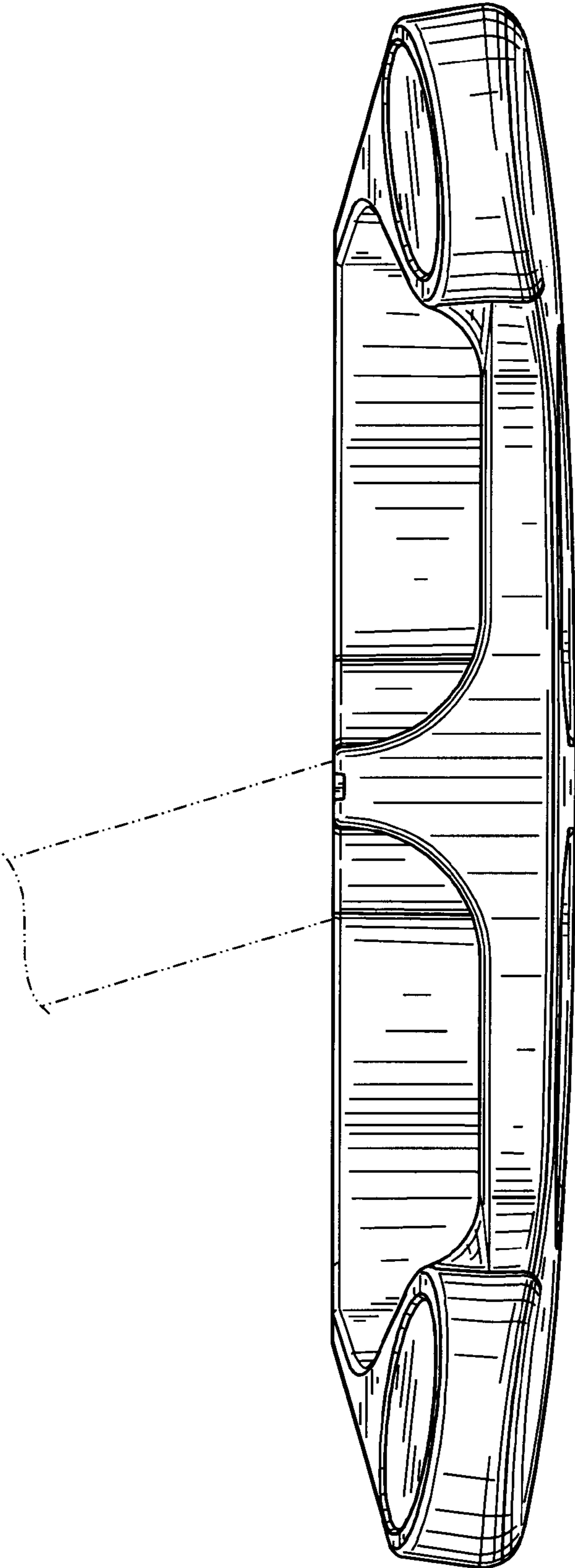


FIG. 5

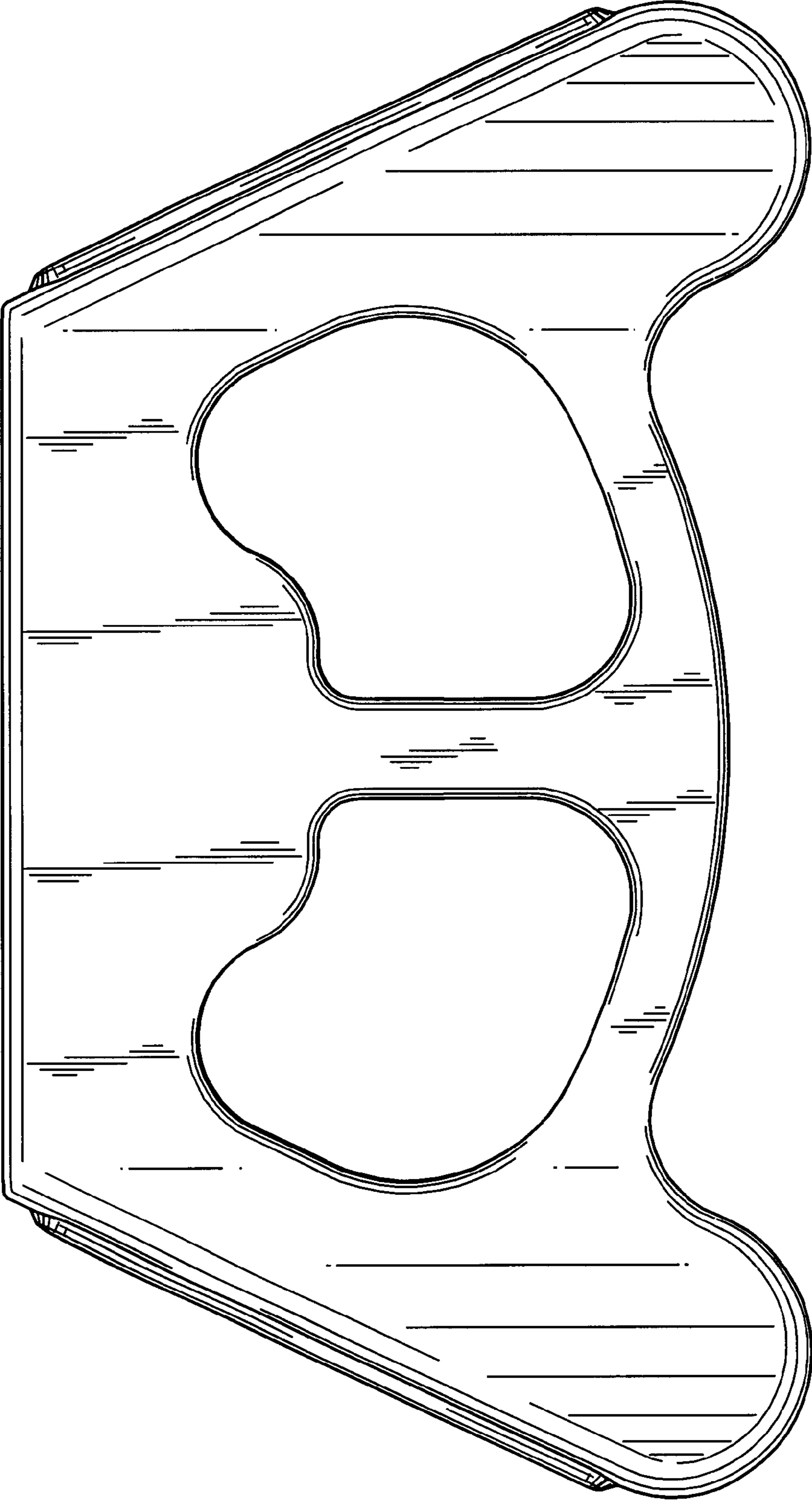


FIG. 6