



US00D520583S

(12) **United States Design Patent**
Rollinson et al.

(10) **Patent No.:** **US D520,583 S**

(45) **Date of Patent:** **** May 9, 2006**

(54) **PUTTER-TYPE GOLF CLUB HEAD**

(75) Inventors: **Augustin W. Rollinson**, San Diego, CA
(US); **Larry G. Tang**, Carlsbad, CA
(US)

(73) Assignee: **Callaway Golf Company**, Carlsbad,
CA (US)

(**) Term: **14 Years**

(21) Appl. No.: **29/219,394**

(22) Filed: **Dec. 15, 2004**

(51) **LOC (8) Cl.** **21-02**

(52) **U.S. Cl.** **D21/742**

(58) **Field of Classification Search** D21/736-746;
473/324-331, 340, 341, 251-256
See application file for complete search history.

(56) **References Cited**

U.S. PATENT DOCUMENTS

- 6,017,280 A * 1/2000 Hubert 473/324
- D493,857 S * 8/2004 Cameron D21/738
- D496,418 S * 9/2004 Tang et al. D21/738

- D502,235 S * 2/2005 Burrows D21/742
- D502,748 S * 3/2005 Burrows D21/742
- D506,796 S * 6/2005 Li D21/742
- D507,316 S * 7/2005 Li D21/742

* cited by examiner

Primary Examiner—Mitchell Siegel

(74) *Attorney, Agent, or Firm*—Michael A. Catania; Elaine
H. Lo

(57) **CLAIM**

The ornamental design for a putter-type golf club head, as
shown and described.

DESCRIPTION

FIG. 1 is a front perspective view thereof;
 FIG. 2 is a bottom perspective view thereof;
 FIG. 3 is a top plan view thereof;
 FIG. 4 is a front view thereof;
 FIG. 5 is a rear view thereof; and,
 FIG. 6 is a toe view thereof.
 The broken line showing of is for illustrative purposes only
 and forms no part of the claimed design.

1 Claim, 2 Drawing Sheets

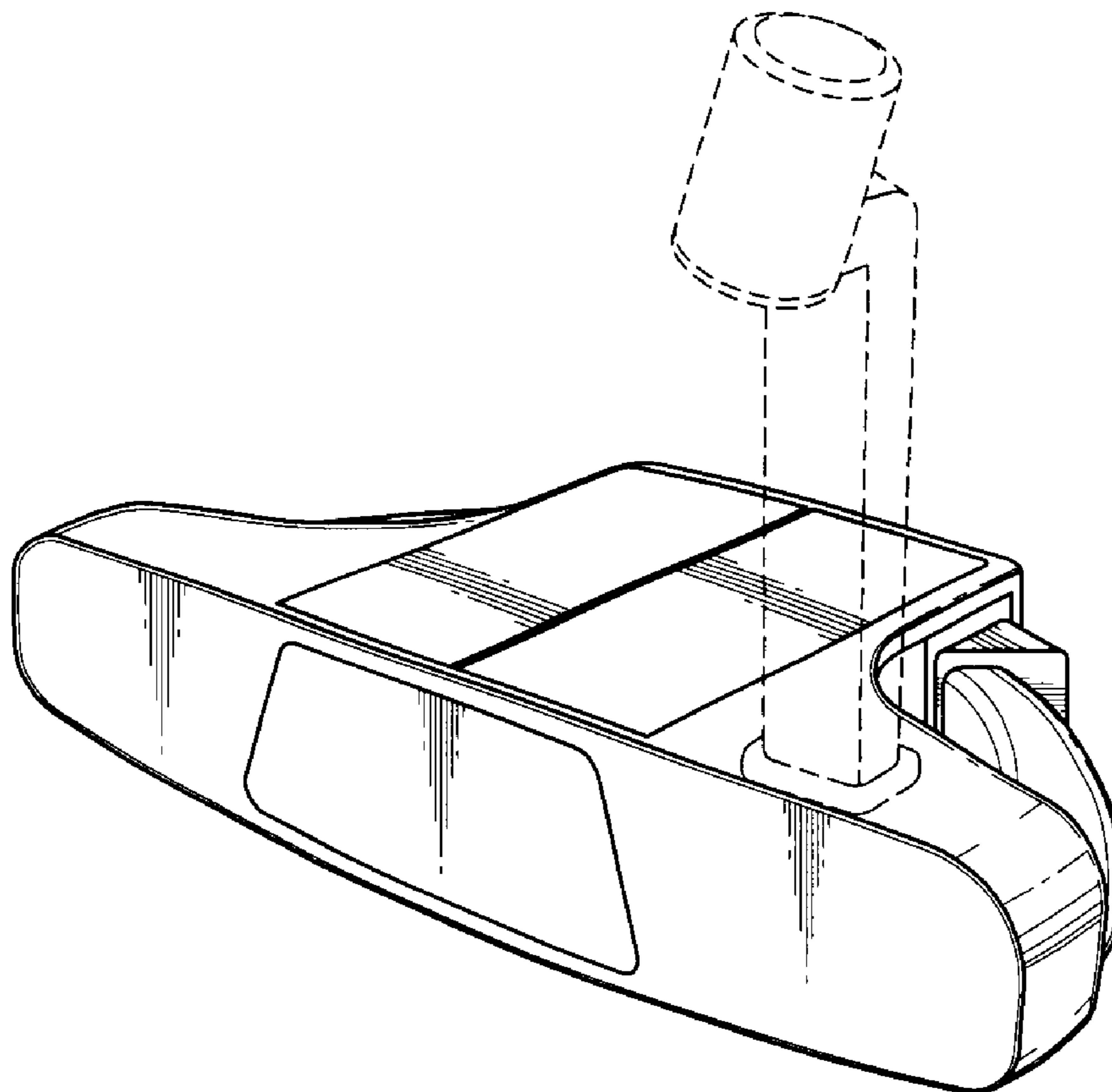


FIG. 1

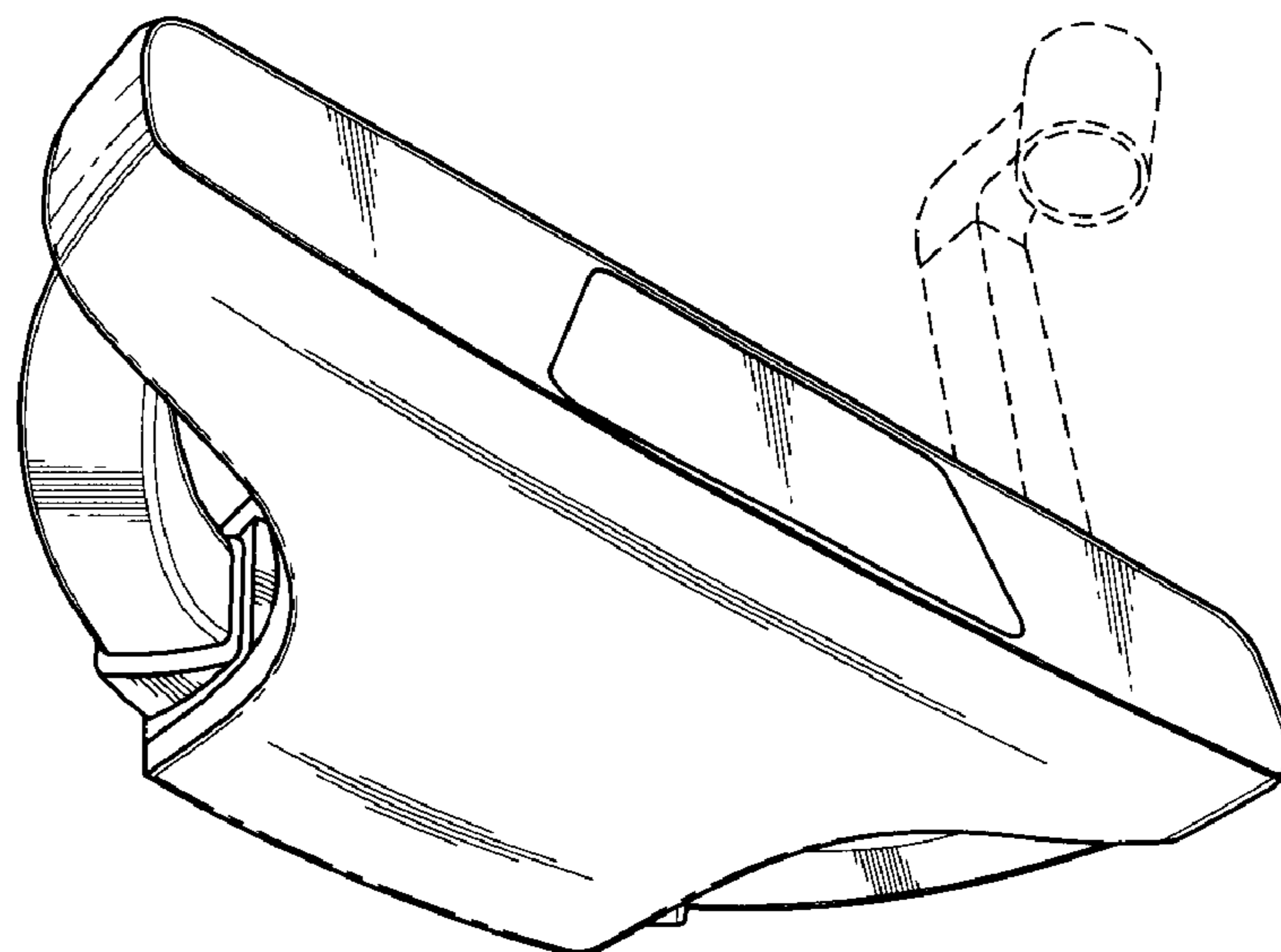
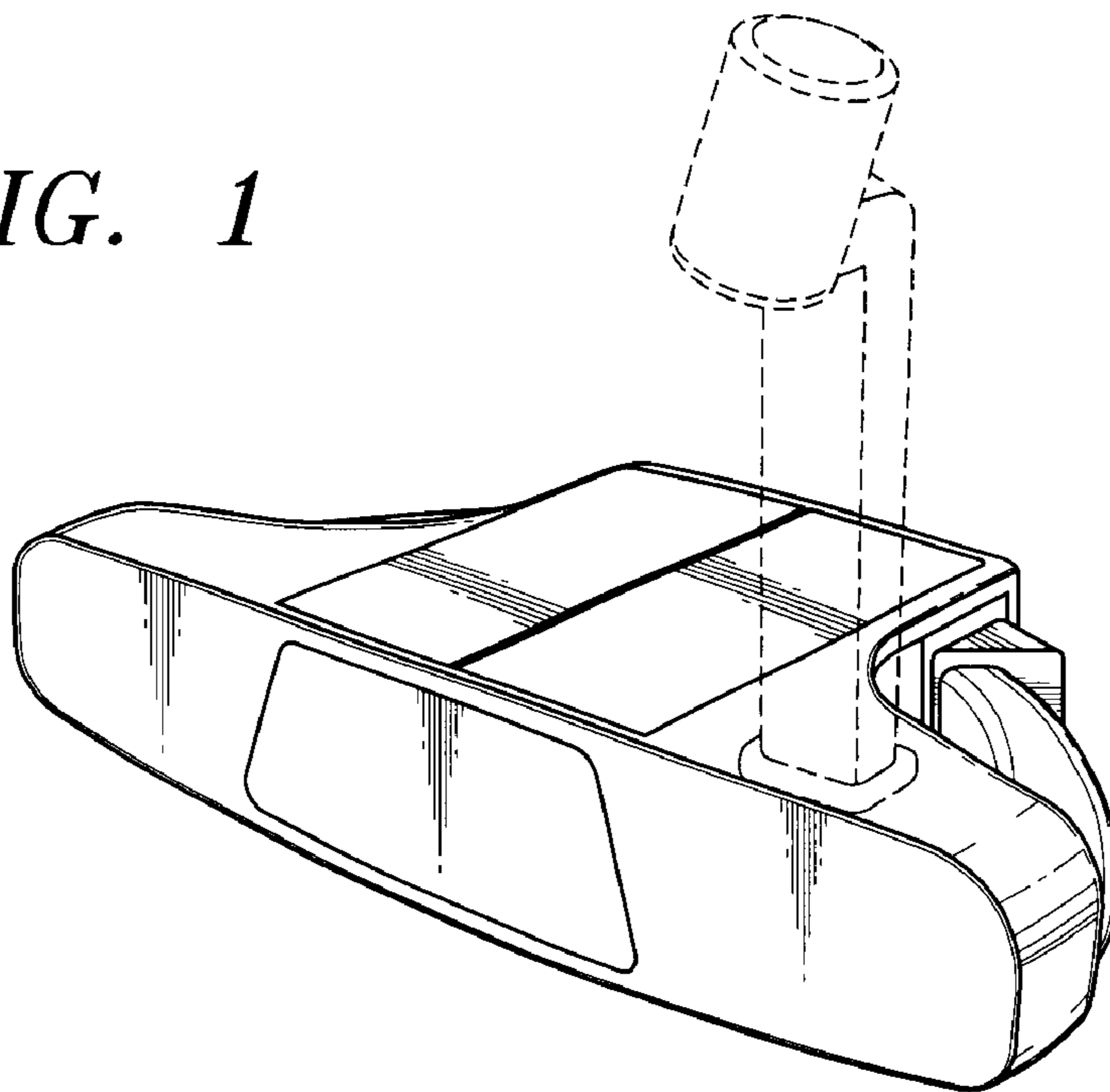


FIG. 2

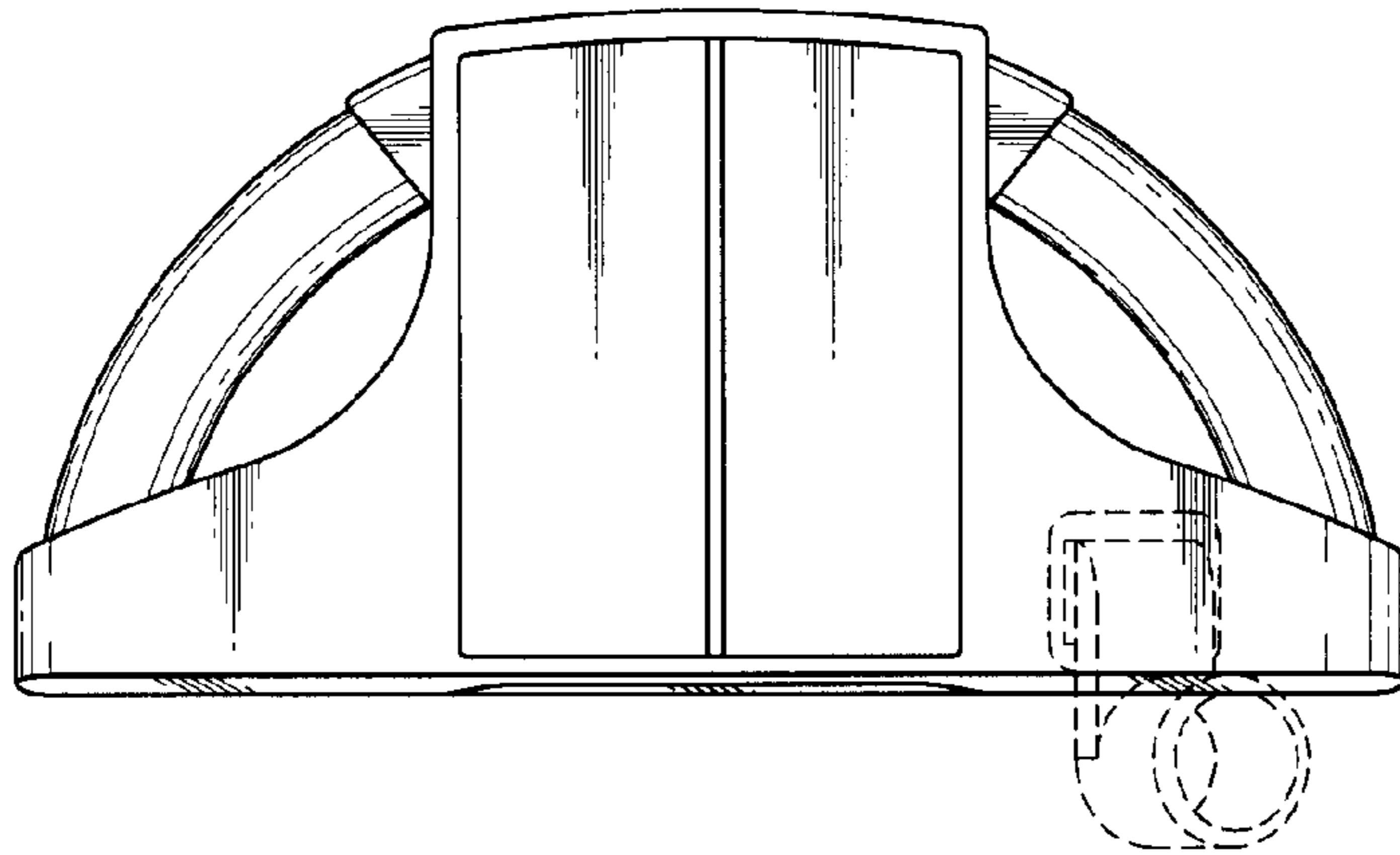


FIG. 3

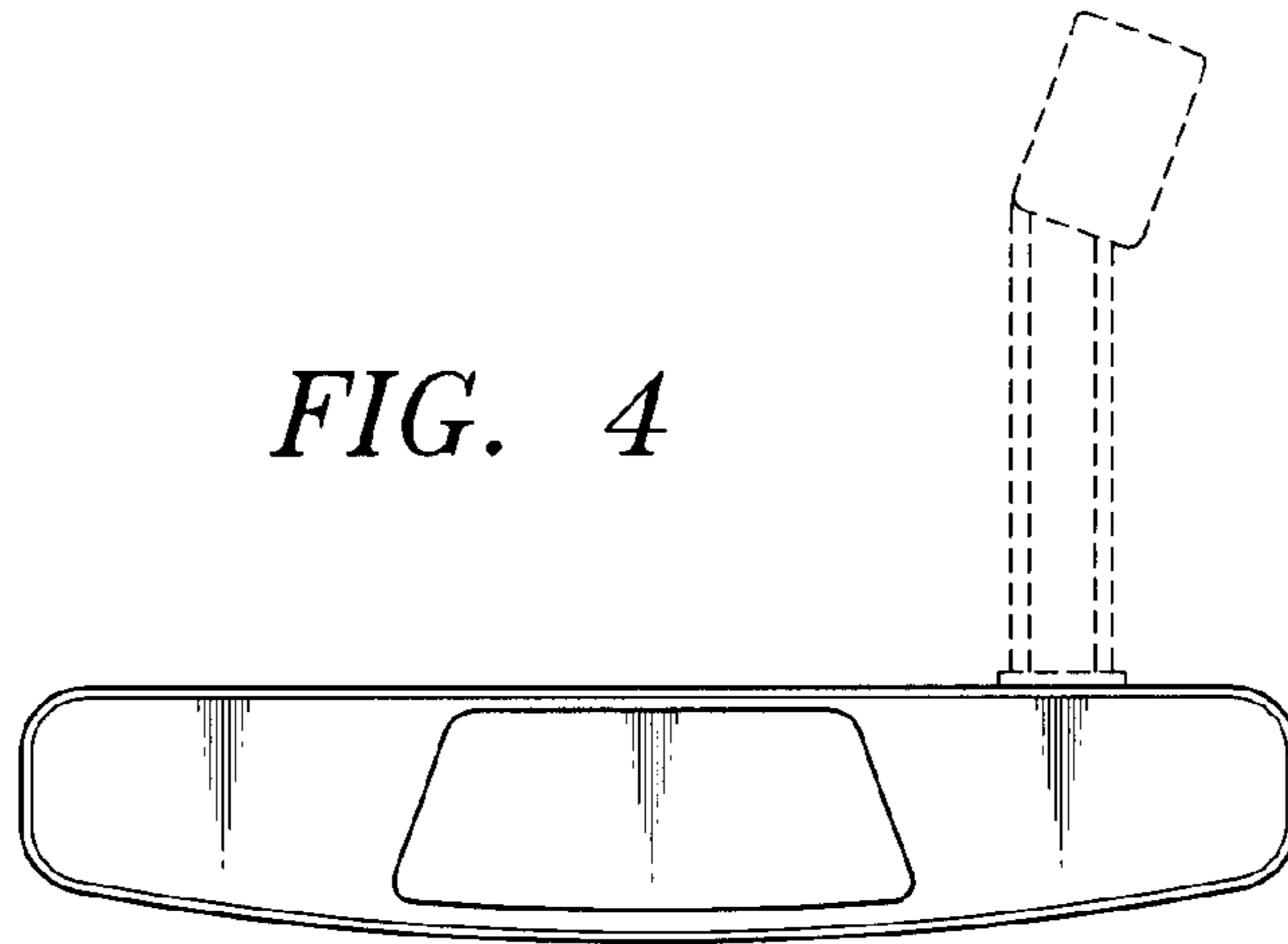


FIG. 4

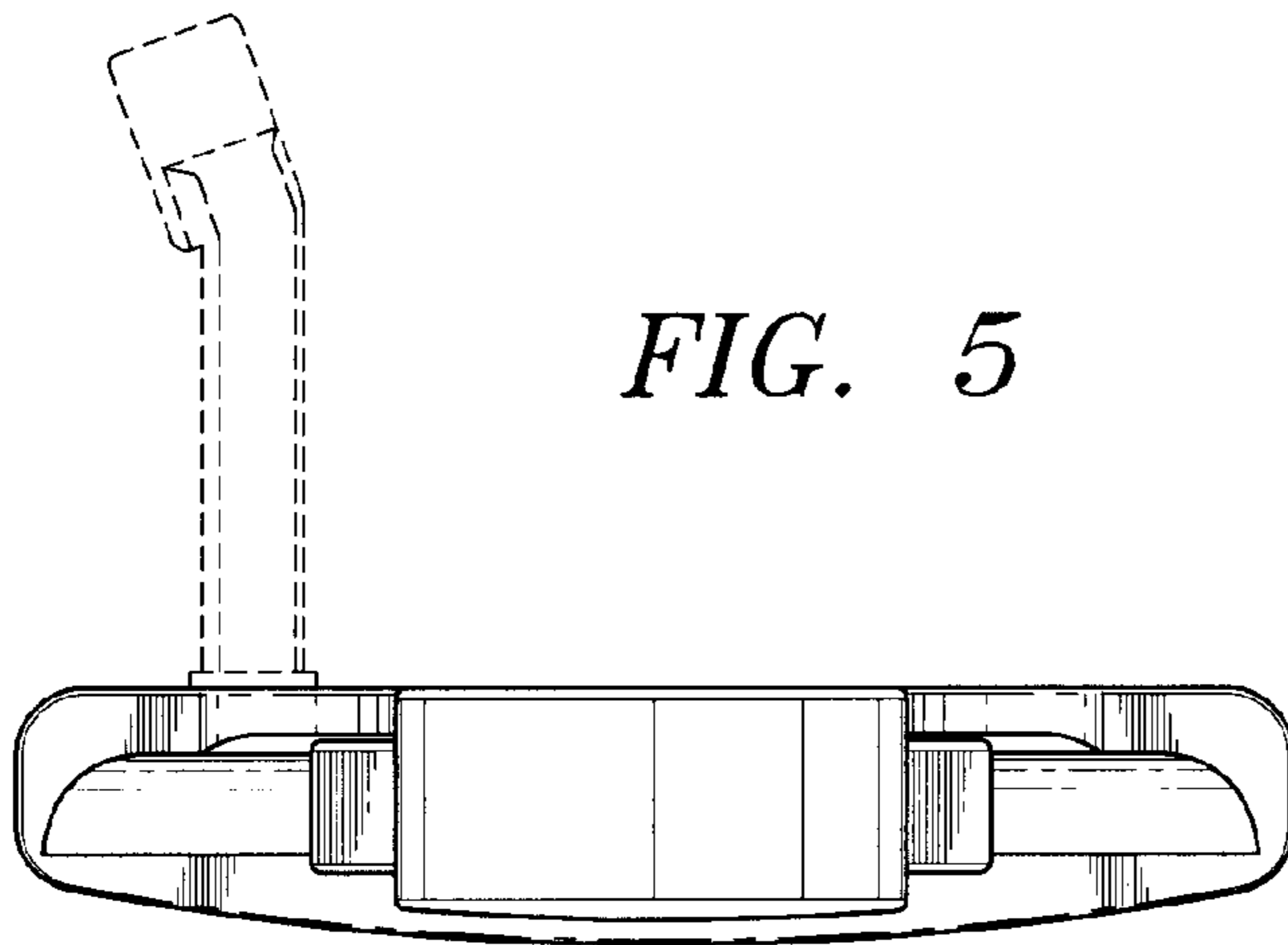


FIG. 5

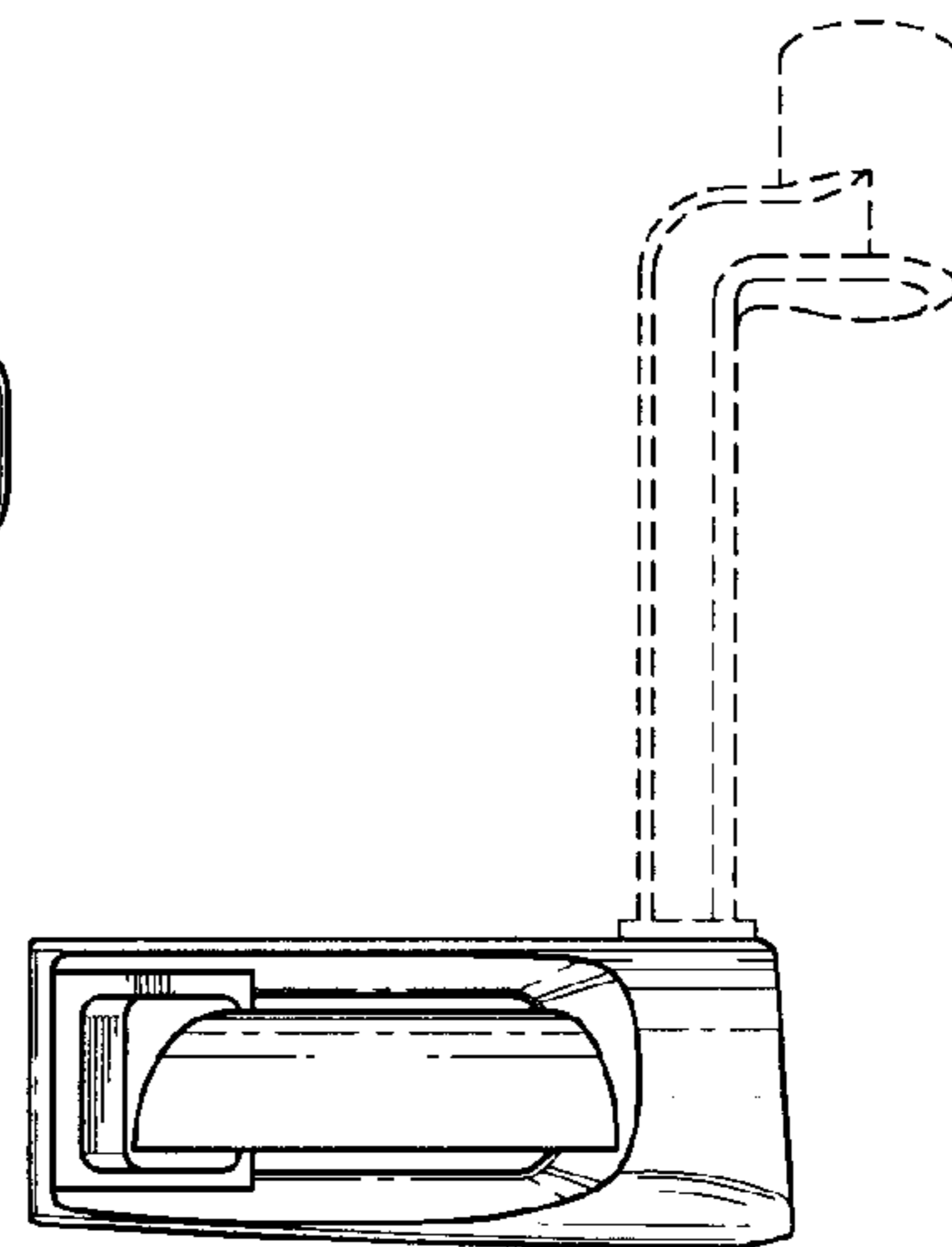


FIG. 6