

US00D520577S

(12) **United States Design Patent**  
**Nelson et al.**

(10) **Patent No.:** **US D520,577 S**

(45) **Date of Patent:** **\*\* May 9, 2006**

(54) **TREADMILL FRAME WITH VISIBLE CUSHION**

6,416,443 B1 \* 7/2002 Choy et al. .... 482/54  
6,905,443 B1 \* 6/2005 Lo ..... 482/54  
2005/0107220 A1 \* 5/2005 Wang ..... 482/54

(75) Inventors: **Derek Nelson**, Lake Mills, WI (US);  
**Nathan Pyles**, Lake Mills, WI (US)

\* cited by examiner

(73) Assignee: **Johnson Health Tech Co., Ltd.**,  
Taichung-Hsien (TW)

*Primary Examiner*—Philip S. Hyder

*Assistant Examiner*—RoseLynne Ulm

(74) *Attorney, Agent, or Firm*—Senniger Powers

(\*\*) Term: **14 Years**

(57) **CLAIM**

(21) Appl. No.: **29/213,450**

The ornamental design for a treadmill frame with visible cushion, as shown.

(22) Filed: **Sep. 17, 2004**

**DESCRIPTION**

(51) **LOC (8) Cl.** ..... **24-01**

(52) **U.S. Cl.** ..... **D21/686; D21/694**

(58) **Field of Classification Search** ..... D21/669,  
D21/686, 694; 482/54, 142

See application file for complete search history.

FIG. 1 is a perspective view of a treadmill frame with visible cushion of the subject design;

FIG. 2 is a front elevational view thereof;

FIG. 3 is a rear elevational view thereof;

FIG. 4 is a left side elevational view thereof, the right side elevational view being symmetric to the right side elevational view;

FIG. 5 is a top plan view thereof;

FIG. 6 is a bottom plan view thereof; and,

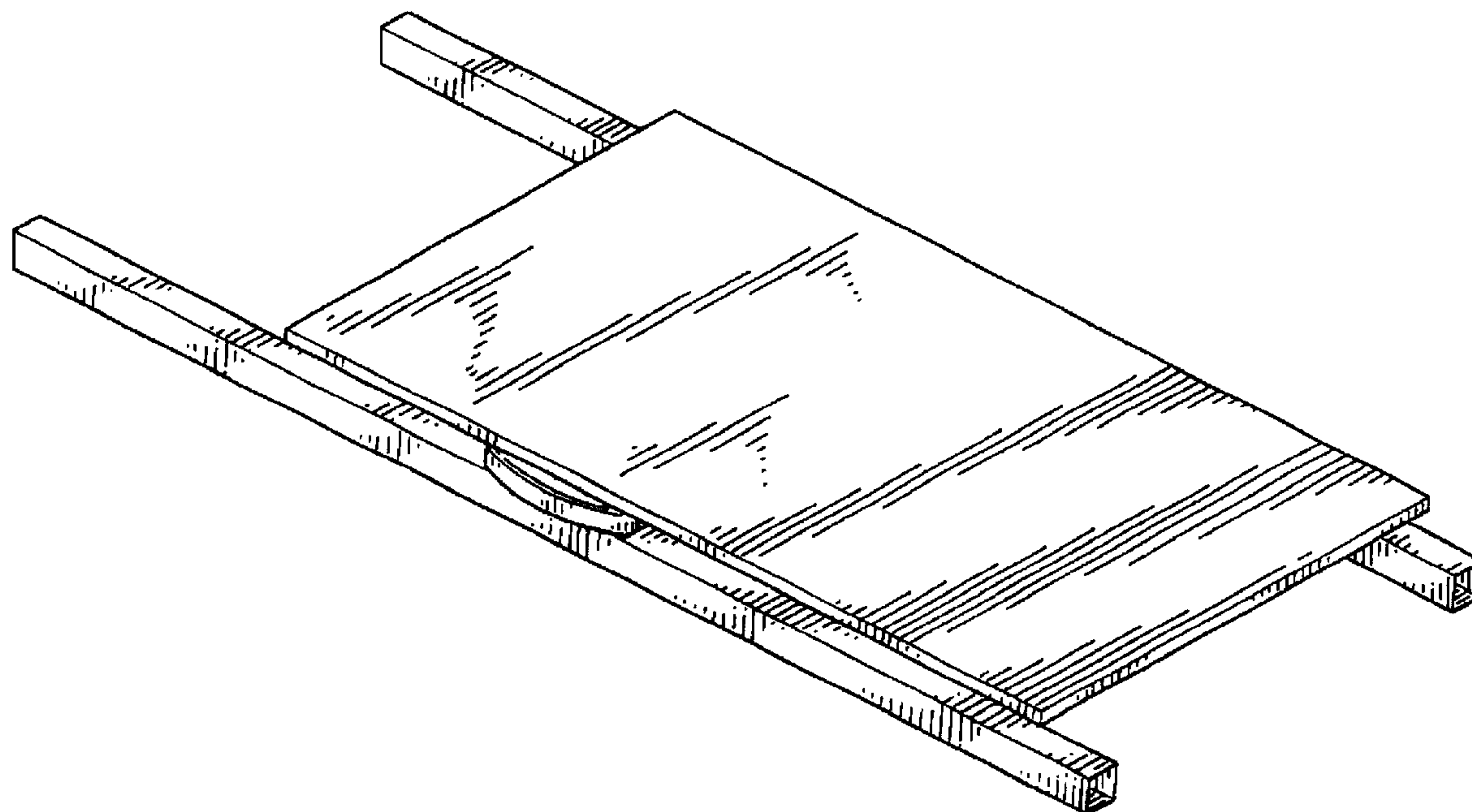
FIG. 7 is a perspective view showing the frame in a treadmill, wherein the broken line example of environmental structure is for illustrative purpose only and forms no part of the claimed design.

(56) **References Cited**

U.S. PATENT DOCUMENTS

D348,494 S	*	7/1994	Ashby	.....	D21/694
D349,344 S	*	8/1994	Kudlak	.....	D24/183
D413,366 S	*	8/1999	Husted et al.	.....	D21/668
5,980,430 A	*	11/1999	Wang	.....	482/54
6,013,011 A	*	1/2000	Moore et al.	.....	482/54
D453,543 S	*	2/2002	Cutler	.....	D21/694
D453,948 S	*	2/2002	Cutler	.....	D21/694

**1 Claim, 3 Drawing Sheets**



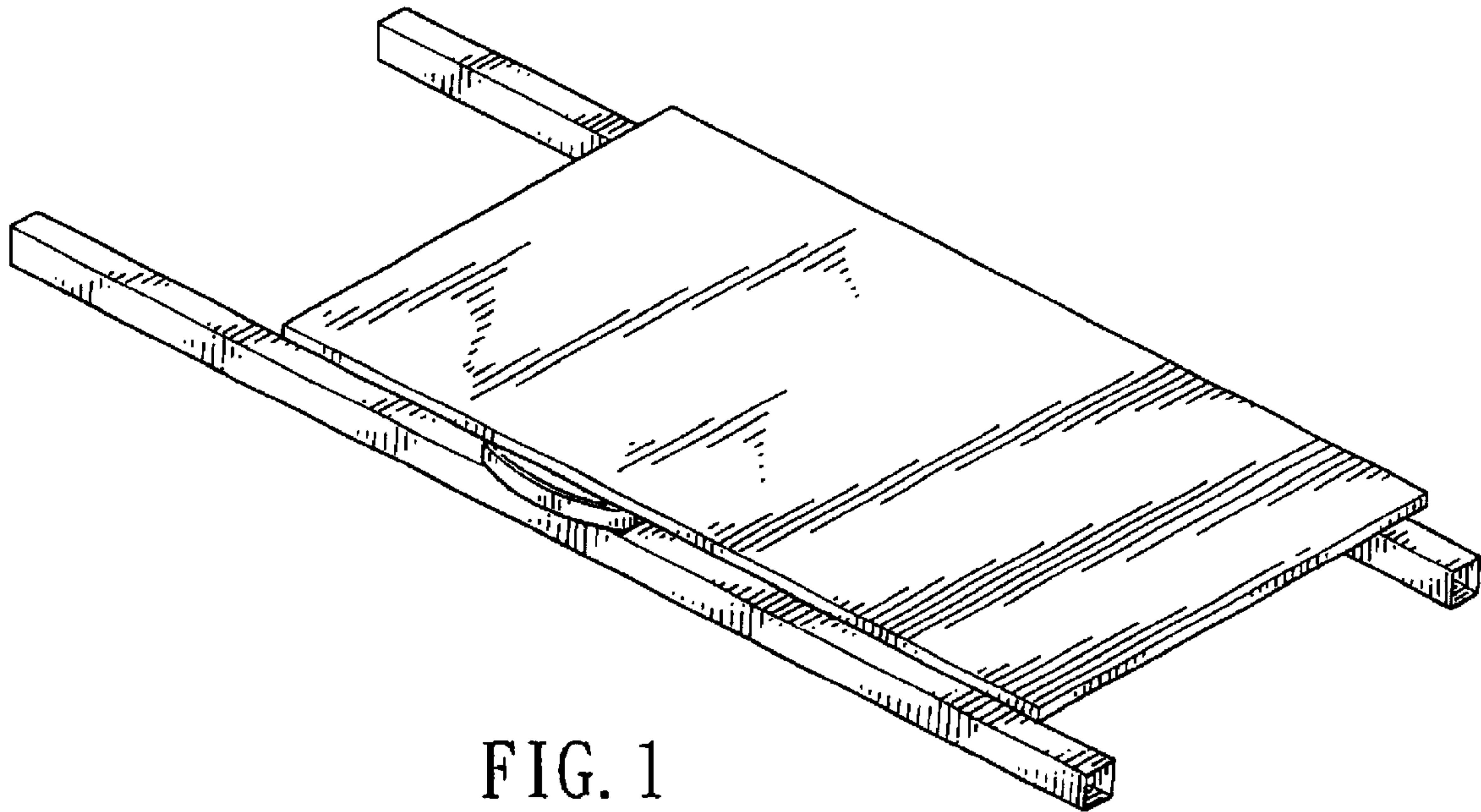


FIG. 1

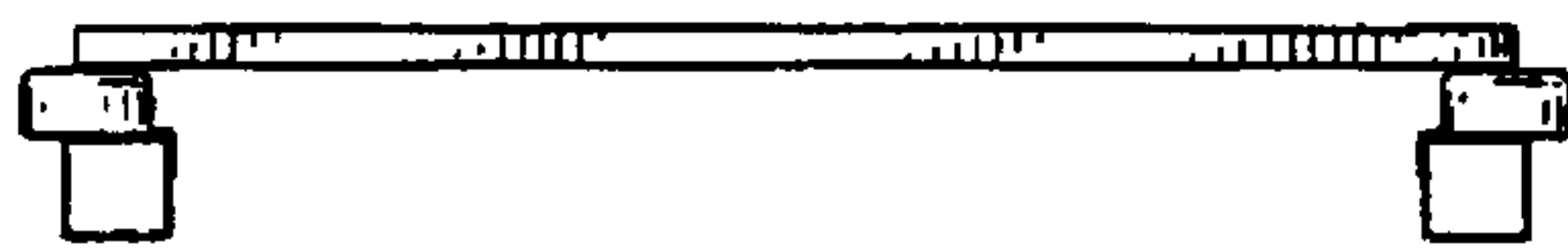


FIG. 2

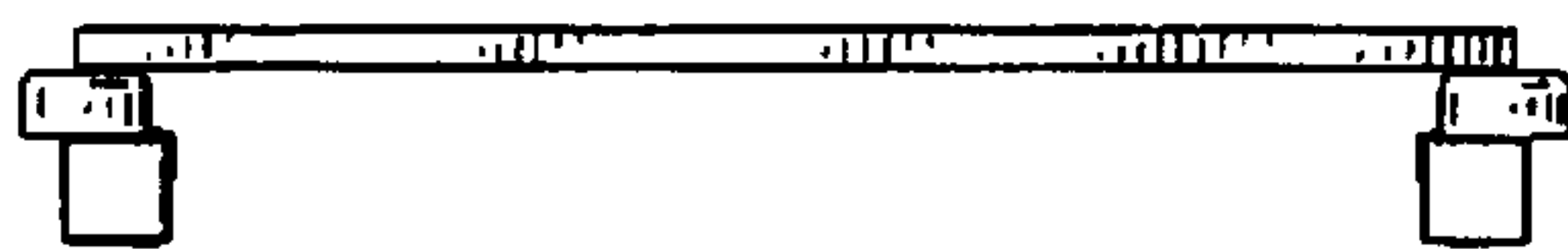


FIG. 3

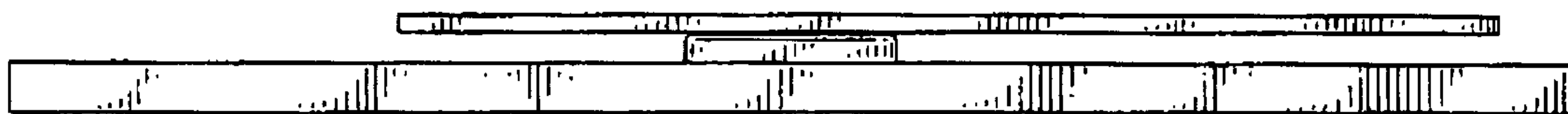


FIG. 4

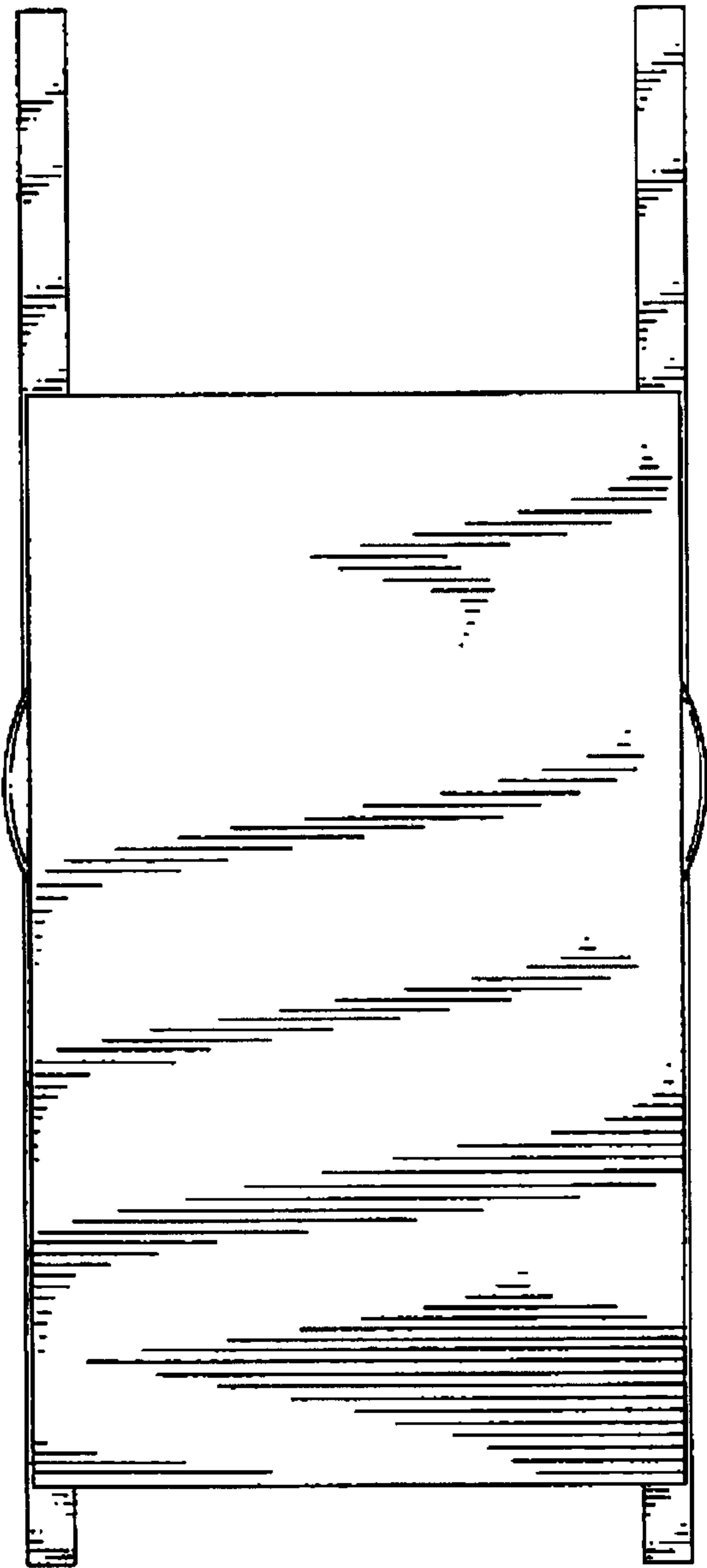


FIG. 5

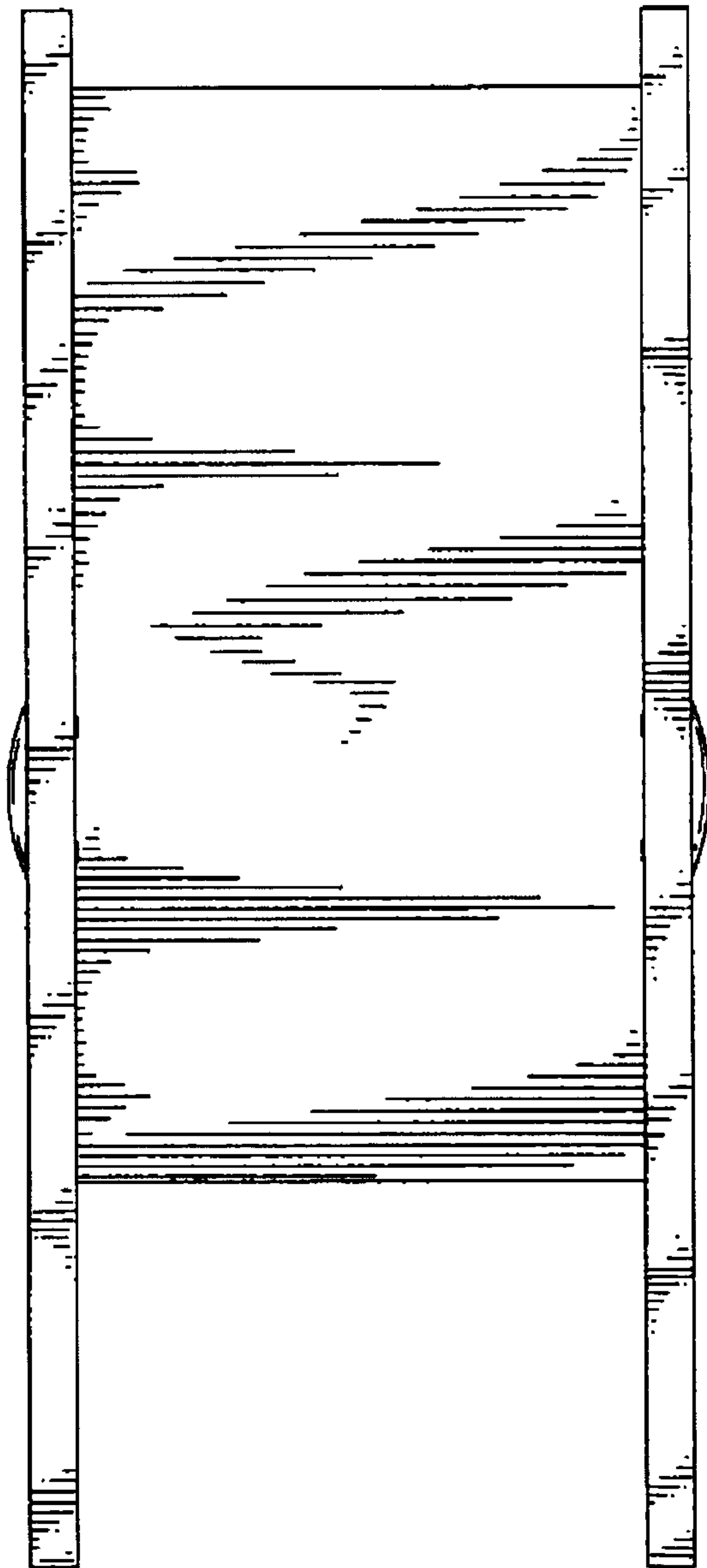


FIG. 6

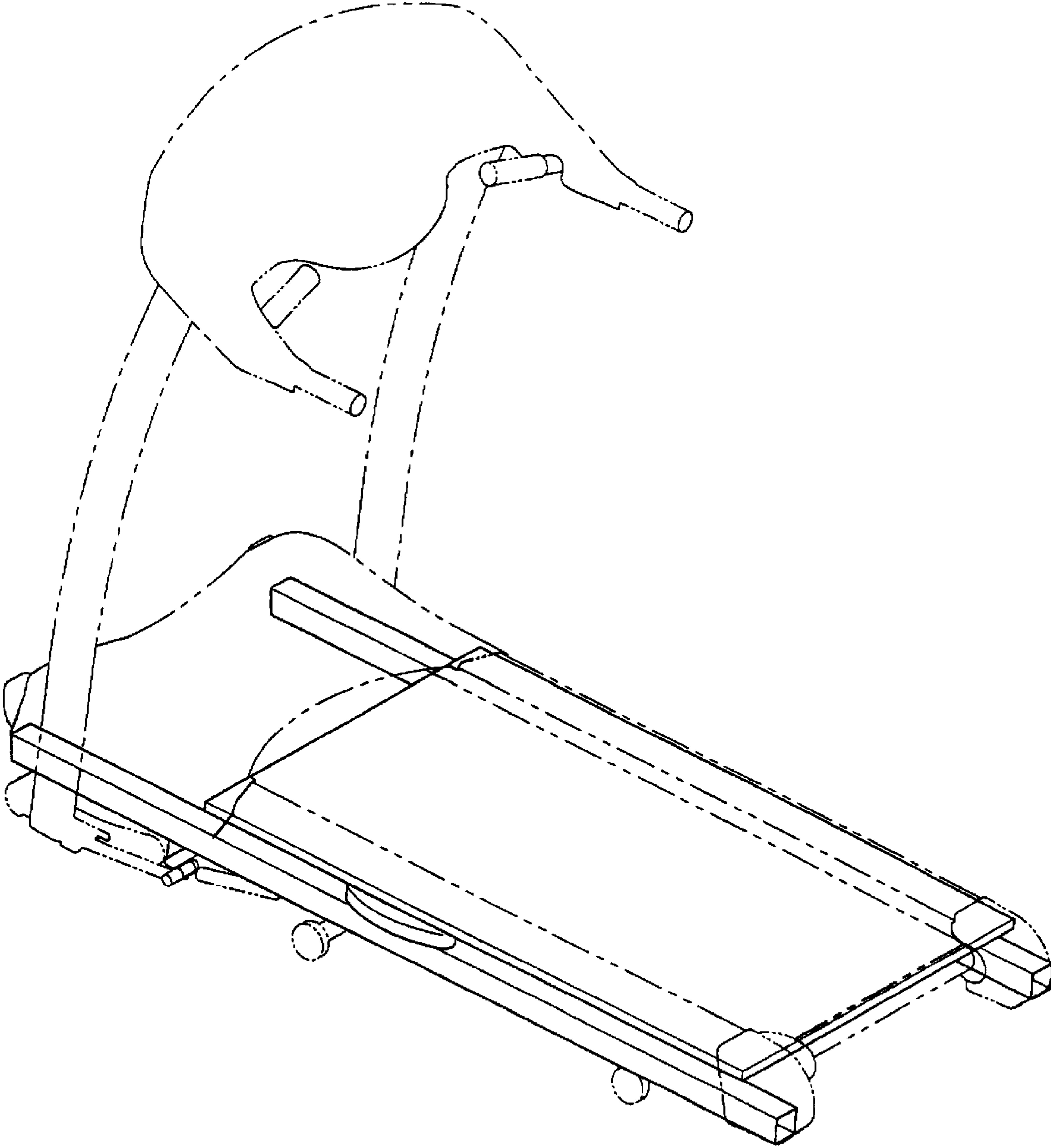


FIG. 7