

US00D520575S

(12) **United States Design Patent**
Diakonov et al.

(10) **Patent No.:** **US D520,575 S**

(45) **Date of Patent:** **** May 9, 2006**

(54) **EXERCISE BAR**

(75) Inventors: **Yuri Diakonov**, Clinton Township, MI (US); **Rudolph R. Cugliari**, Mt. Clemens, MI (US); **Norbert T. Wierszewski**, Dearborn, MI (US)

(73) Assignee: **Burn Machine, LLC**, Farmington Hills, MI (US)

(**) Term: **14 Years**

(21) Appl. No.: **29/205,997**

(22) Filed: **May 24, 2004**

(51) **LOC (8) Cl.** **21-02**

(52) **U.S. Cl.** **D21/679; D21/682**

(58) **Field of Classification Search** D21/662, D21/679, 680, 682, 683, 684, 692, 681; 482/104, 482/106, 108, 109, 110, 139, 126
See application file for complete search history.

(56) **References Cited**

U.S. PATENT DOCUMENTS

3,384,370	A	*	5/1968	Bailey et al.	482/106
4,461,473	A		7/1984	Cole	272/123
4,618,143	A		10/1986	Twardosz	272/123
4,629,184	A		12/1986	Selkee	272/123
4,690,400	A		9/1987	Metz	272/123
4,743,018	A		5/1988	Eckler	272/123

4,822,035	A		4/1989	Jennings	272/123
D303,697	S	*	9/1989	Pearson	D21/682
RE33,218	E		5/1990	Twardosz	272/123
5,080,349	A	*	1/1992	Vittone	482/106
D328,112	S	*	7/1992	Maddix et al.	D21/694
5,211,616	A	*	5/1993	Riley, Jr.	482/106
5,334,113	A		8/1994	Roepke	482/106
6,022,300	A		2/2000	Hightower	482/106
6,450,928	B1	*	9/2002	Larkins, Jr.	482/110

* cited by examiner

Primary Examiner—Philip S. Hyder

(74) *Attorney, Agent, or Firm*—Gifford, Krass, Groh, Sprinkle, Anderson & Citowski, P.C.

(57) **CLAIM**

We claim the ornamental design for an exercise bar, as shown and described.

DESCRIPTION

FIG. 1 is a perspective view of an exercise bar, showing my new design;
FIG. 2 is a top plan view thereof, the bottom plan view is a mirror image thereof;
FIG. 3 is a right end view thereof, the left end being identical thereto; and,
FIG. 4 is a front elevation view, the rear view being a mirror image thereof.

1 Claim, 1 Drawing Sheet

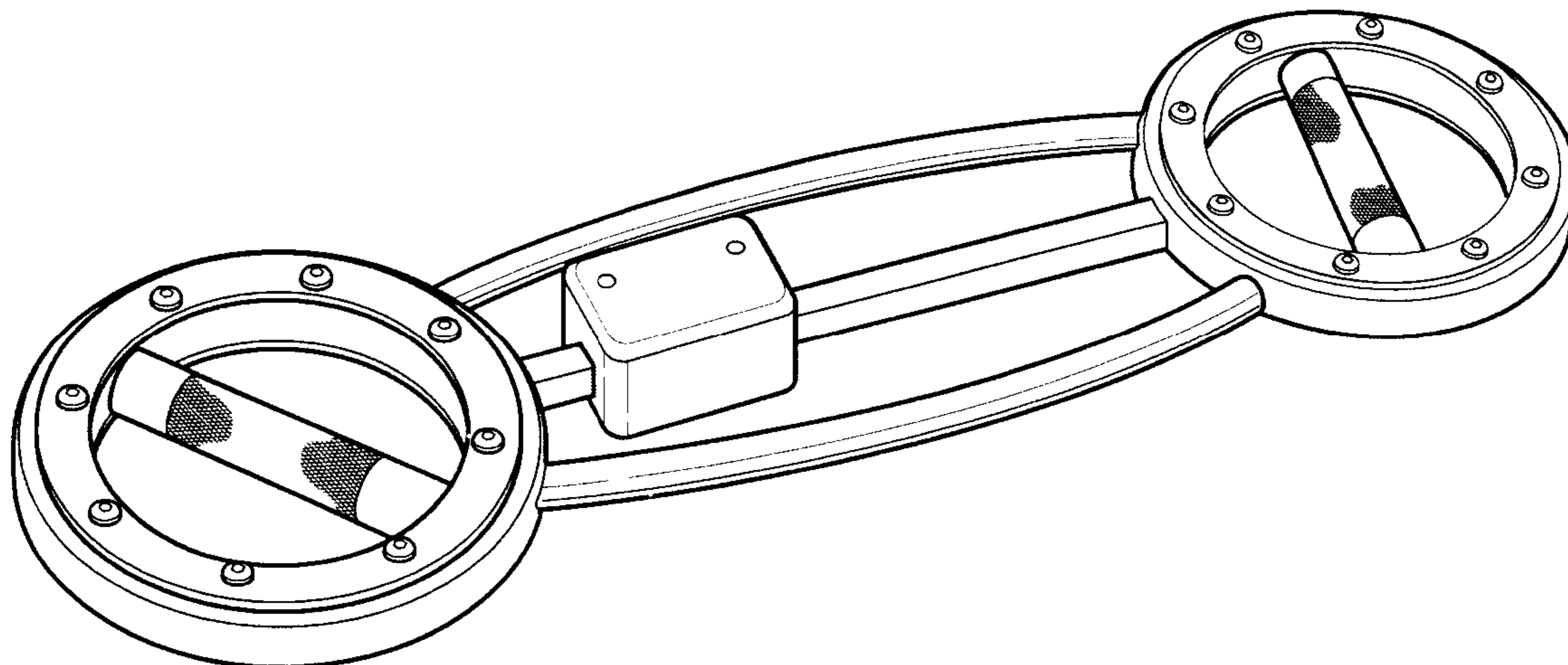


FIG - 1

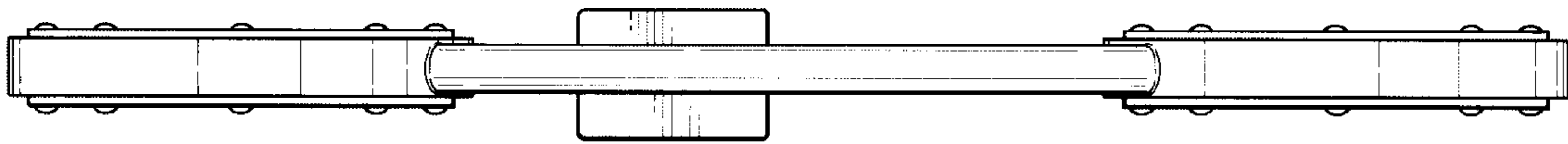
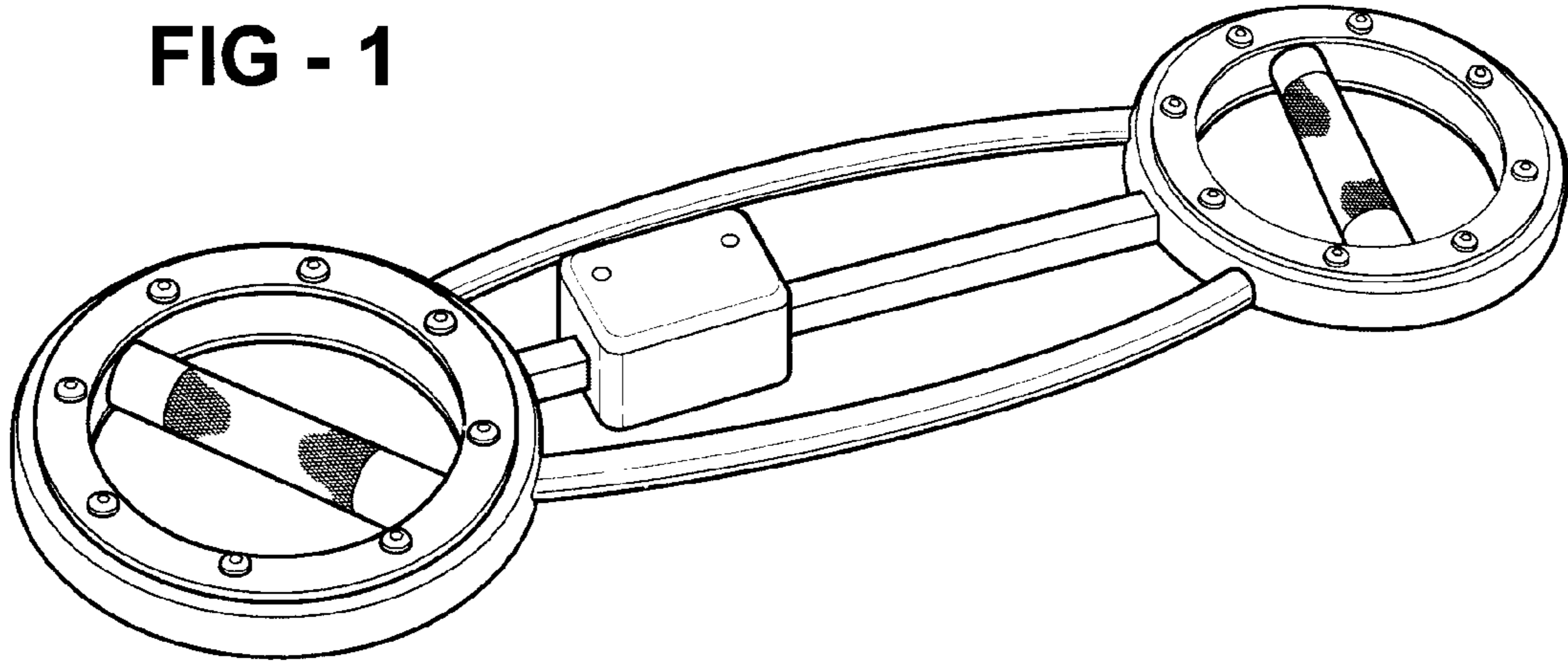


FIG - 2

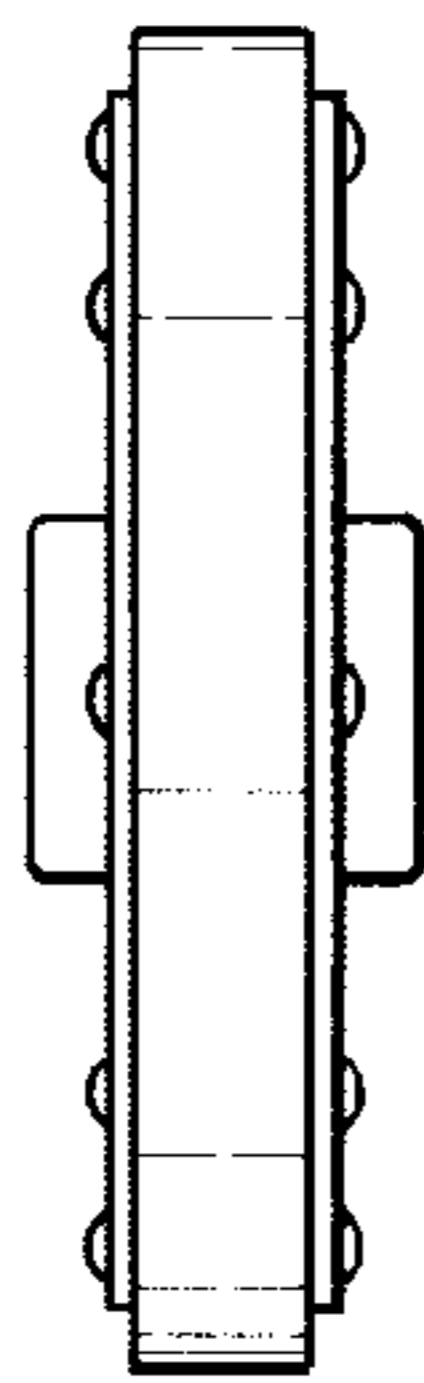


FIG - 3

FIG - 4

