



US00D520573S

(12) **United States Design Patent**  
**Lau**

(10) **Patent No.:** **US D520,573 S**

(45) **Date of Patent:** **\*\* May 9, 2006**

(54) **DOMINO TOY**

(75) Inventor: **Yuk Fai Lau**, Kowloon (HK)

(73) Assignee: **Tai Way (Shing Kee) Toys Co. Ltd.**,  
Kowloon (HK)

(\*\*) Term: **14 Years**

(21) Appl. No.: **29/207,050**

(22) Filed: **Jun. 9, 2004**

(51) **LOC (8) Cl.** ..... **21-01**

(52) **U.S. Cl.** ..... **D21/531; D21/506**

(58) **Field of Classification Search** ..... D21/391,  
D21/483, 506-511, 530, 531, 590, 814, 816,  
D21/818-820, 826, 830; 446/2, 476, 478;  
D25/1, 7, 14, 16, 17, 22, 29, 59; D10/1, 6-8,  
D10/11

See application file for complete search history.

(56) **References Cited**

**U.S. PATENT DOCUMENTS**

|            |   |         |                   |       |         |
|------------|---|---------|-------------------|-------|---------|
| D158,684 S | * | 5/1950  | Funzak            | ..... | D10/7   |
| D204,776 S | * | 5/1966  | Livingston et al. | ..... | D10/7   |
| D216,983 S | * | 3/1970  | O'Brian           | ..... | D19/64  |
| D247,476 S | * | 3/1978  | Dybala et al.     | ..... | D10/6   |
| D287,379 S | * | 12/1986 | Edmisson et al.   | ..... | D21/531 |
| D340,100 S | * | 10/1993 | Gleeson           | ..... | D21/531 |
| D352,907 S | * | 11/1994 | Ede               | ..... | D10/11  |
| D391,173 S | * | 2/1998  | Wang              | ..... | D10/7   |
| D406,534 S | * | 3/1999  | Kuo               | ..... | D10/11  |

|            |   |         |          |       |          |
|------------|---|---------|----------|-------|----------|
| D421,180 S | * | 2/2000  | Sun      | ..... | D3/271.6 |
| D444,073 S | * | 6/2001  | Liao     | ..... | D10/11   |
| D450,357 S | * | 11/2001 | Yamazaki | ..... | D21/511  |
| D464,573 S | * | 10/2002 | Dai      | ..... | D10/6    |

\* cited by examiner

*Primary Examiner*—Holly Baynham  
*Assistant Examiner*—Cynthia M. Chin

(74) *Attorney, Agent, or Firm*—Rabin & Berdo, P.C.

(57) **CLAIM**

The ornamental design for a domino toy, as shown and described.

**DESCRIPTION**

The application file contains at least one drawing executed in color. Copies of this patent or patent application publication with color drawing(s) will be provided by the Office upon request and payment of the necessary fee.

FIG. 1 is a front view of a domino toy showing my new design;

FIG. 2 is a rear view thereof;

FIG. 3 is a left side view thereof;

FIG. 4 is a right side view thereof;

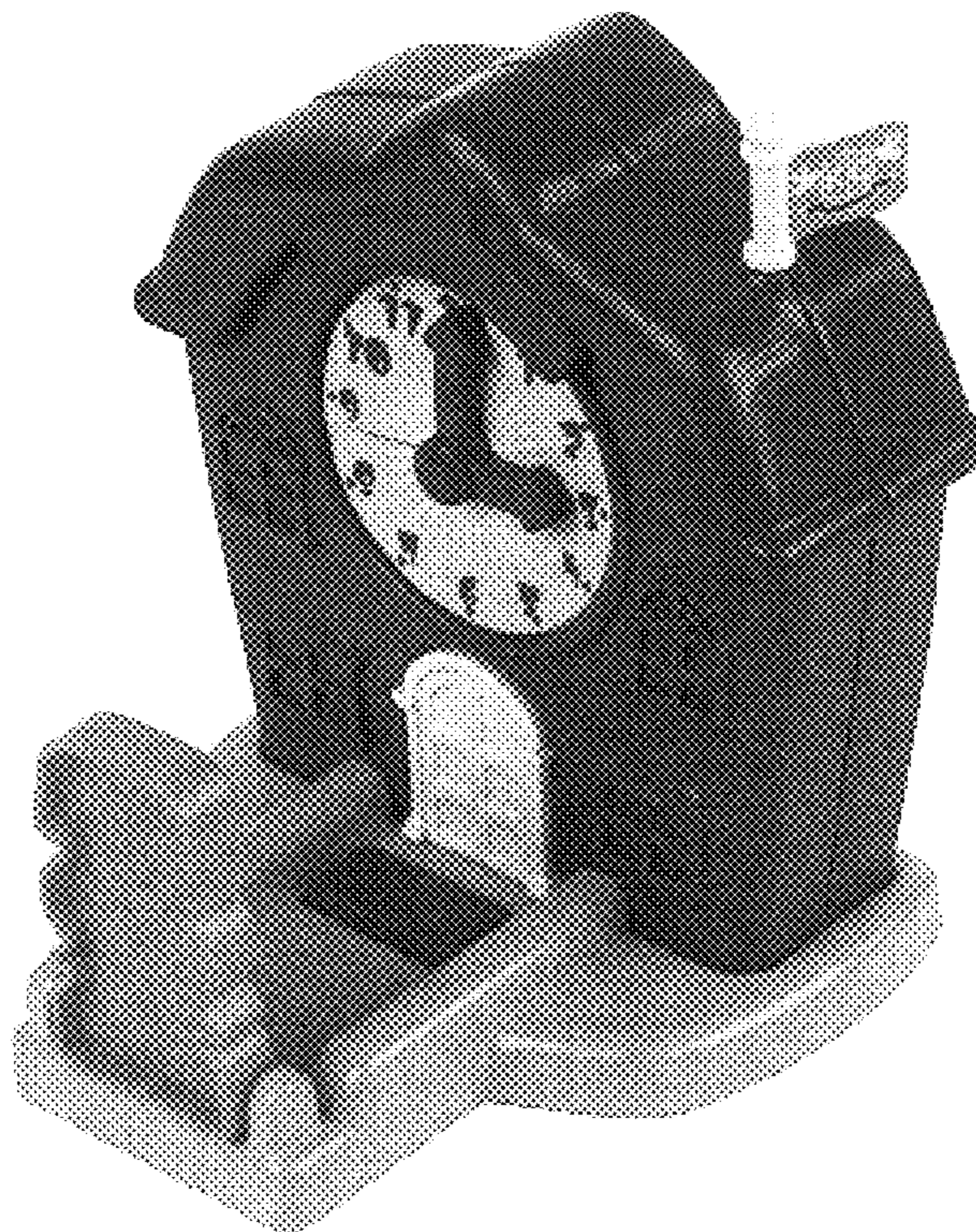
FIG. 5 is a top plan view thereof;

FIG. 6 is a bottom plan view thereof; and,

FIG. 7 is a perspective view thereof.

**1 Claim, 2 Drawing Sheets**

**(2 of 2 Drawing Sheet(s) Filed in Color)**





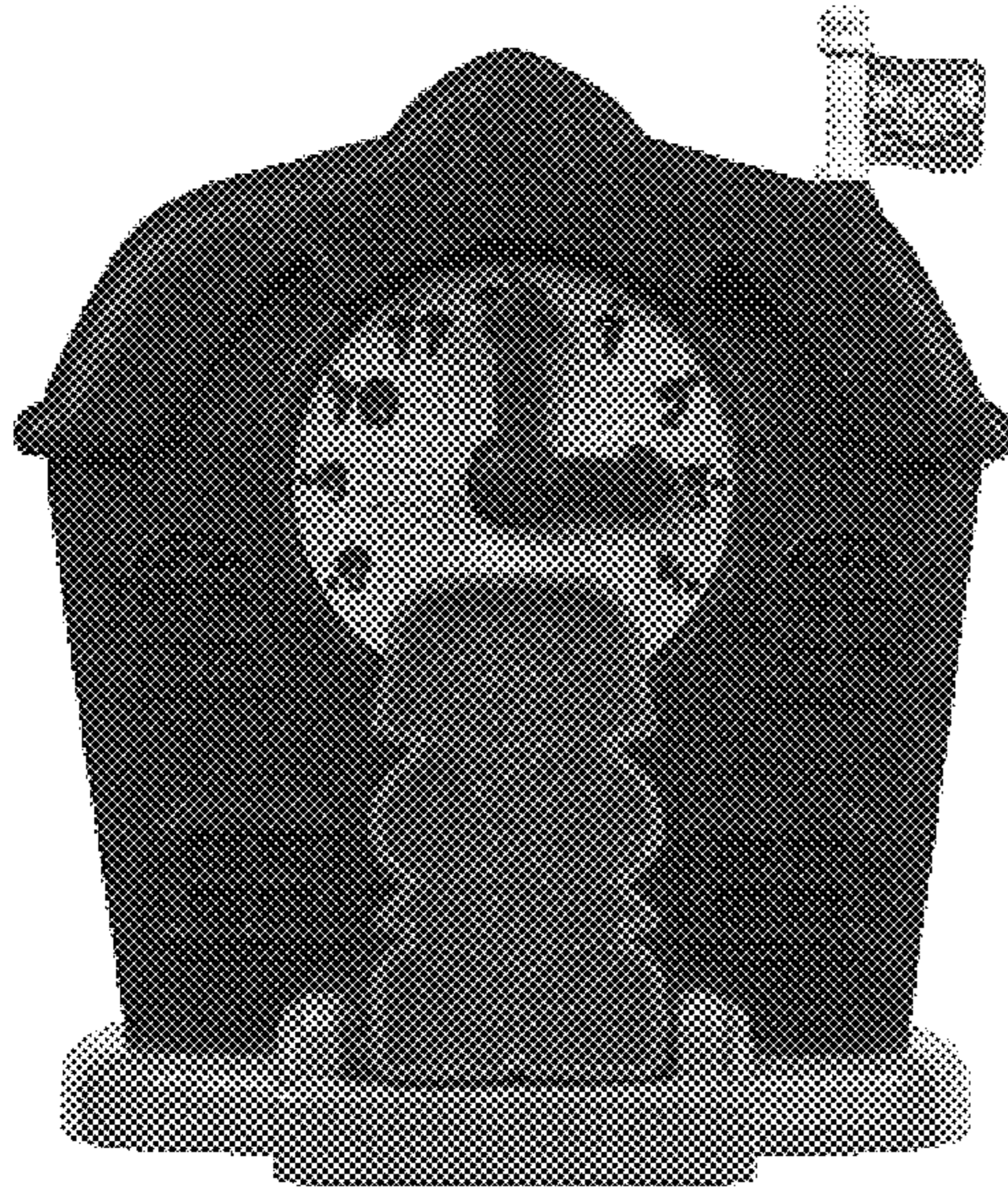


FIG. 1

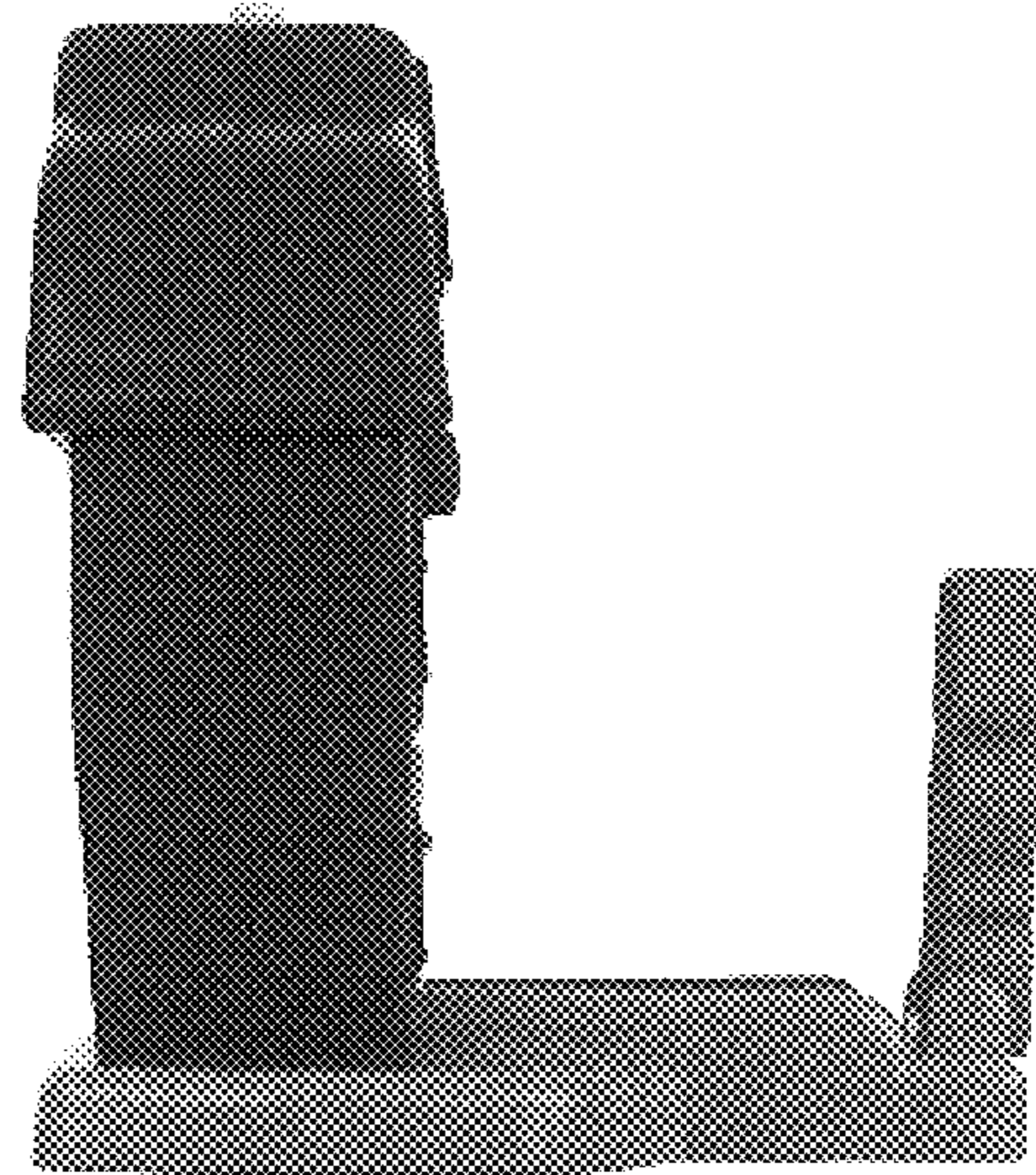


FIG. 3



FIG. 2

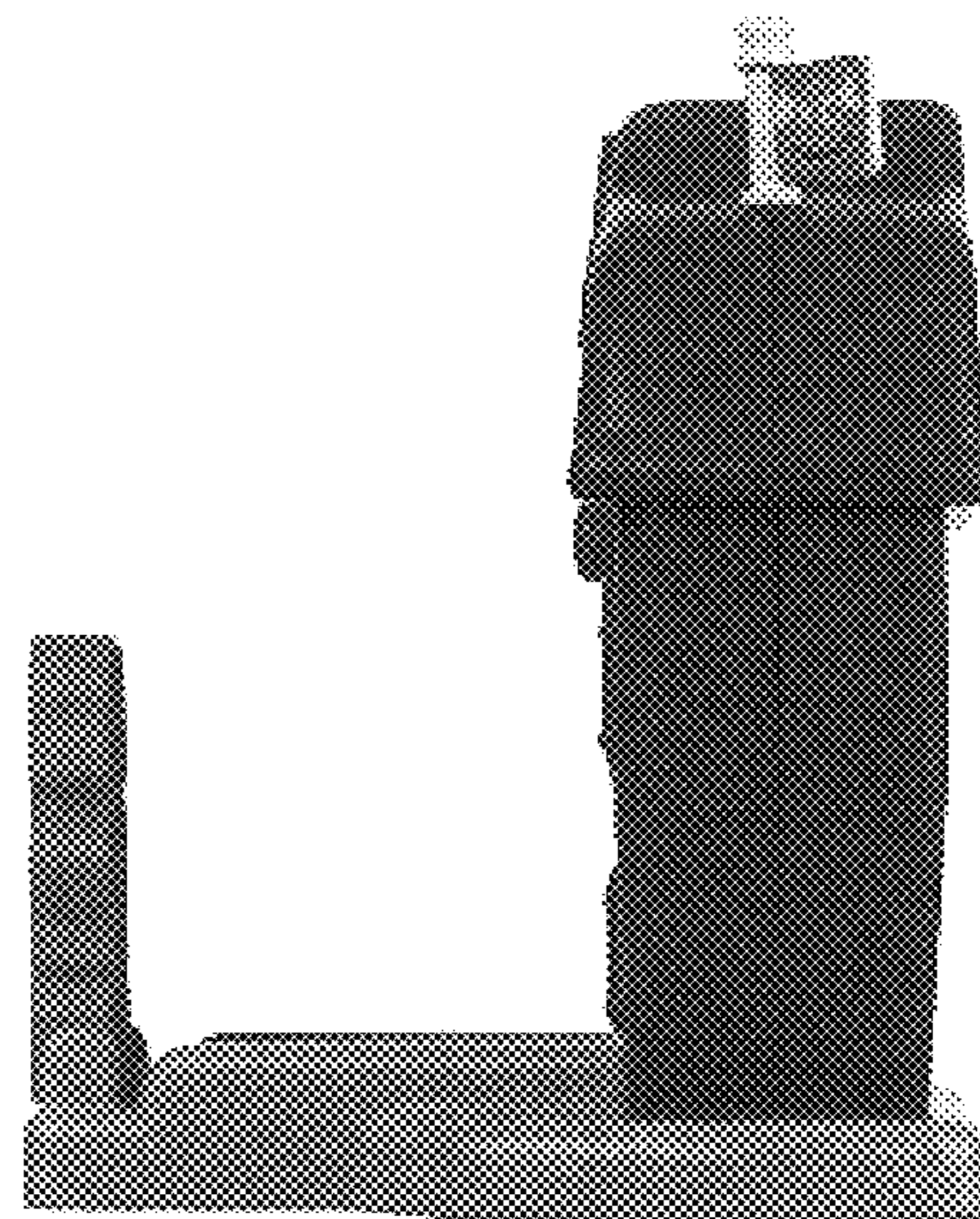


FIG. 4



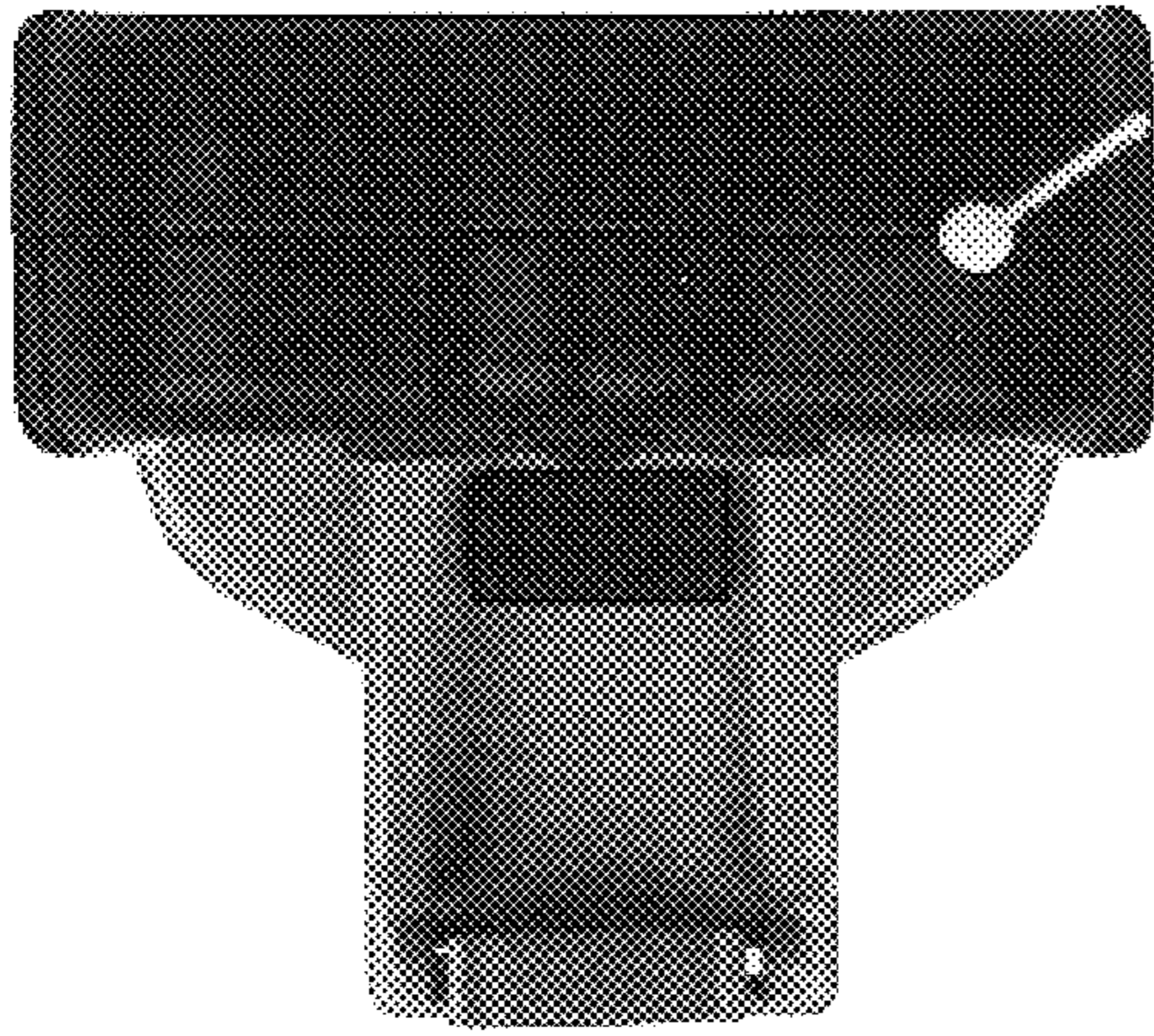


FIG. 5

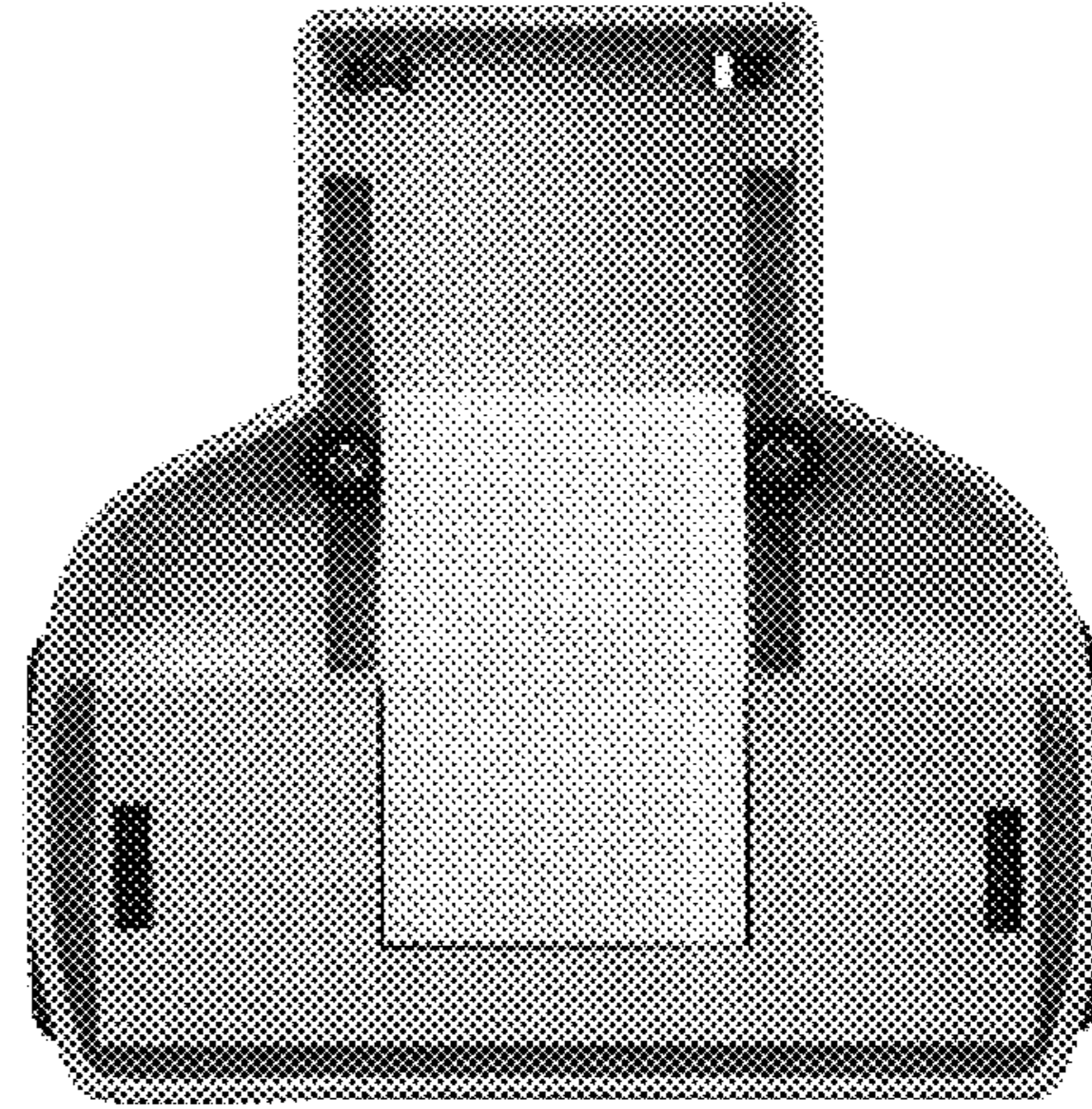


FIG. 6

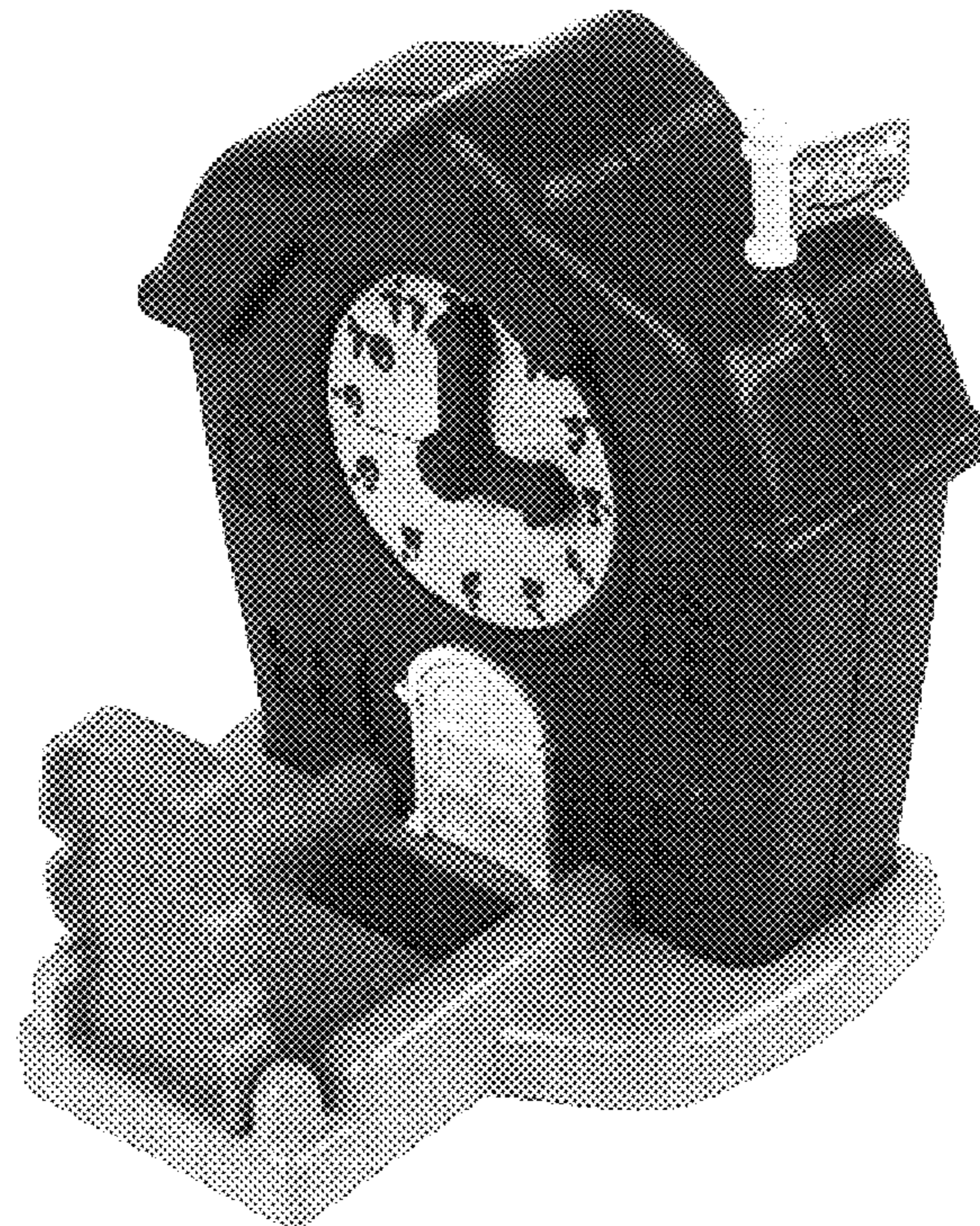


FIG. 7