



US00D520570S

(12) **United States Design Patent**
Rüegg

(10) **Patent No.:** **US D520,570 S**

(45) **Date of Patent:** **** May 9, 2006**

(54) **BOARD GAME**

(76) Inventor: **Daniela Rüegg**, Weiligstrasse 7c, Bad Ragaz (CH), 7310

(**) Term: **14 Years**

(21) Appl. No.: **29/214,560**

(22) Filed: **Oct. 6, 2004**

(30) **Foreign Application Priority Data**

Mar. 30, 2004 (CH) 130 596
Jul. 2, 2004 (WO) DM/065 769

(51) **LOC (8) Cl.** **21-01**

(52) **U.S. Cl.** **D21/345; D21/337**

(58) **Field of Classification Search** D21/334-368;
273/236-285

See application file for complete search history.

(56) **References Cited**

U.S. PATENT DOCUMENTS

1,499,214 A * 6/1924 Griebel 273/264
D192,516 S * 4/1962 Schram D21/337
3,556,526 A * 1/1971 Currie 273/239
3,561,774 A * 2/1971 Brinser 273/241
4,119,320 A * 10/1978 Chorba et al. 273/241
D269,286 S * 6/1983 Woolwine D21/346
D304,350 S * 10/1989 Arbogast D21/346

5,116,061 A * 5/1992 Zentner, Jr. 273/241
5,183,256 A * 2/1993 Hale 273/241

* cited by examiner

Primary Examiner—Sandra L. Morris

(57) **CLAIM**

The ornamental design for the board game, as shown and described.

DESCRIPTION

The claimed board game is used as a table top game with a three-dimensional game area, composed by a base (made of one single piece or from individual components), twenty four sticks being placed into corresponding receptacles of the base and four sets of tokens (in four different colors). Assembled, the board game provides the possibility to arrange tokens in horizontal (left/right) and vertical (up/down) direction. Each direction extends horizontally over three positions, vertically over three stories (levels) respectively.

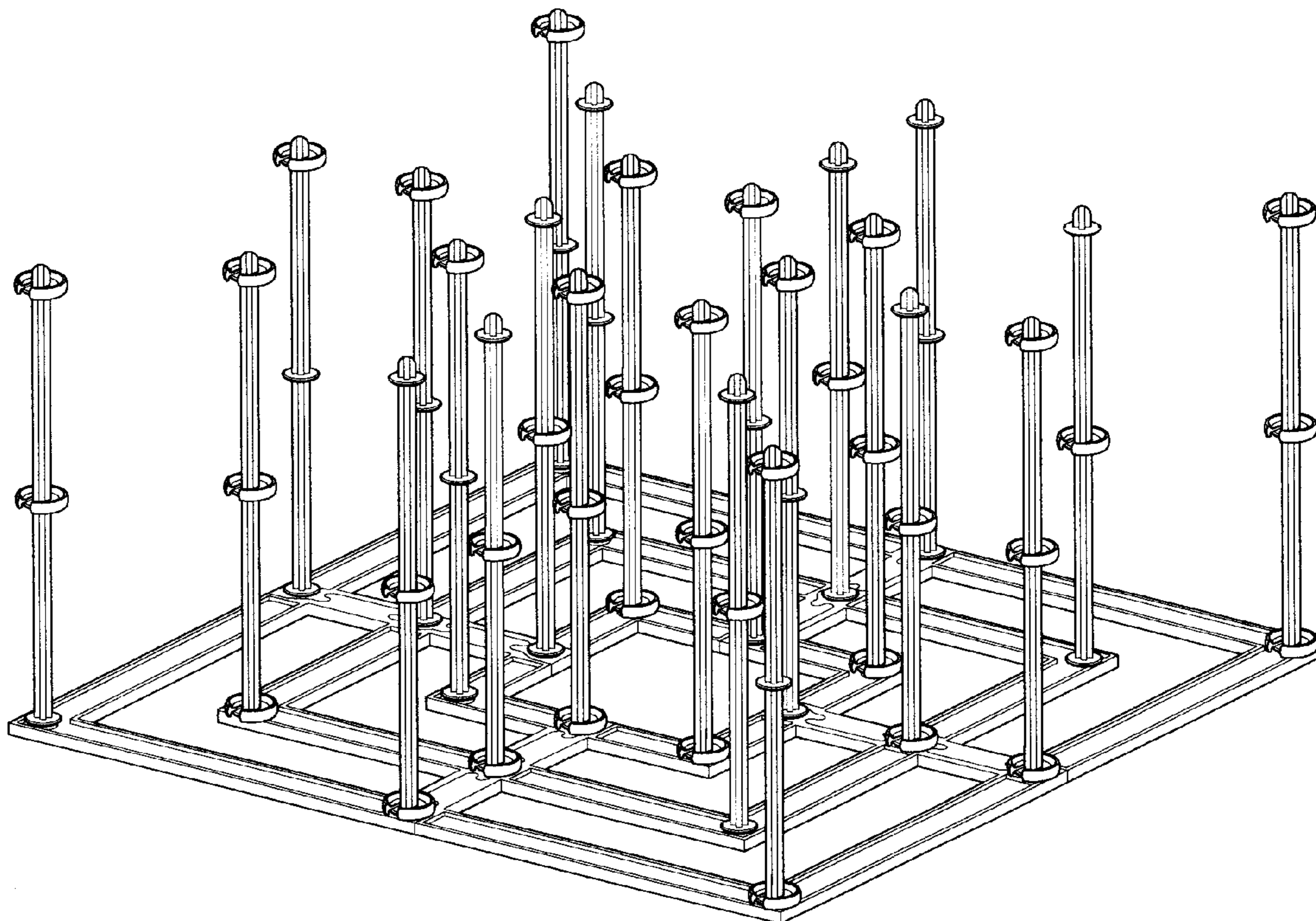
FIG. 1 is a perspective view of the board game, showing my new design, being fully assembled;

FIG. 2 is a perspective view of the base of the board game;

FIG. 3 is an enlarged perspective view of an individual token; and,

FIG. 4 is an enlarged perspective view of an individual stick.

1 Claim, 3 Drawing Sheets



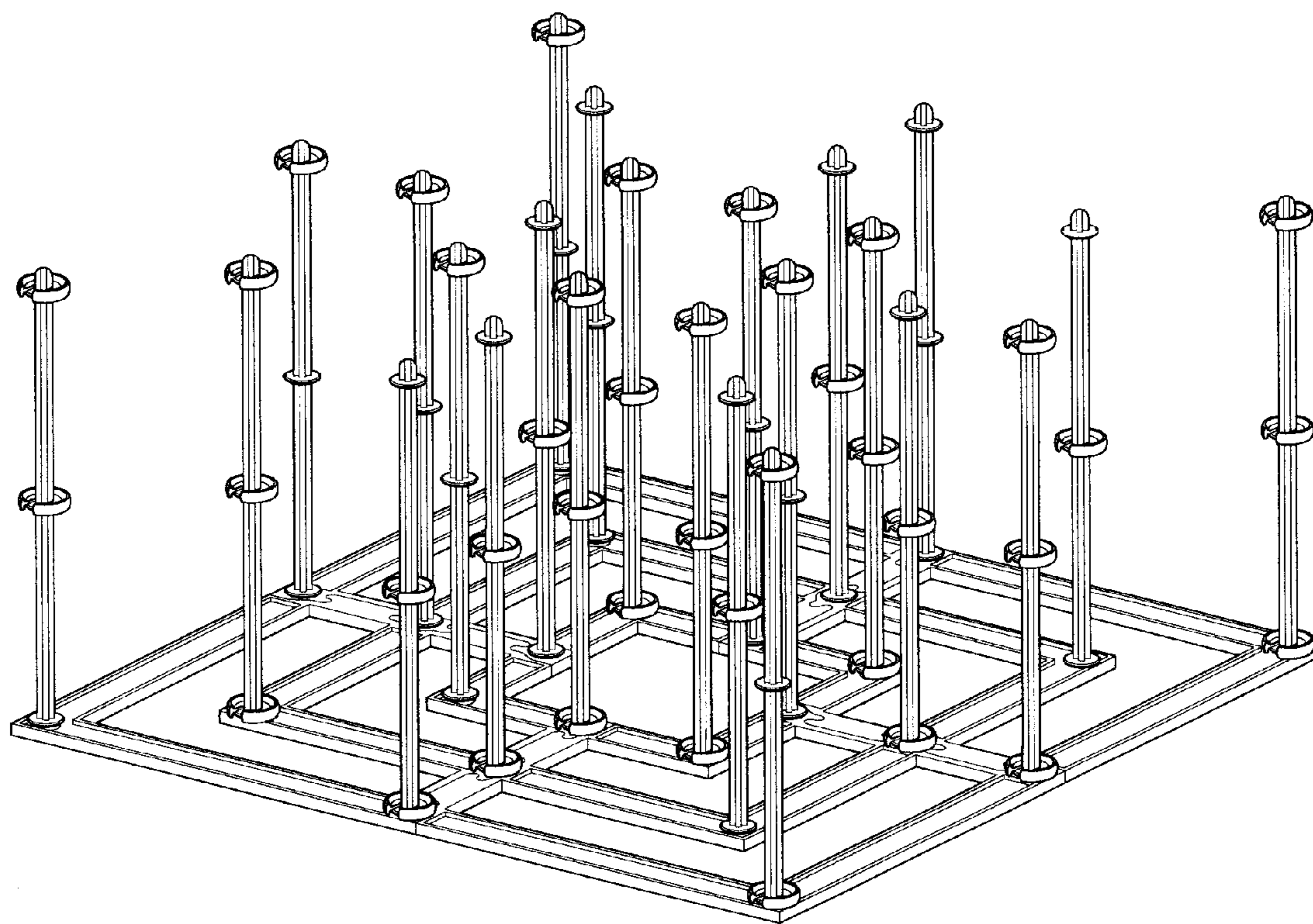


Fig. 1

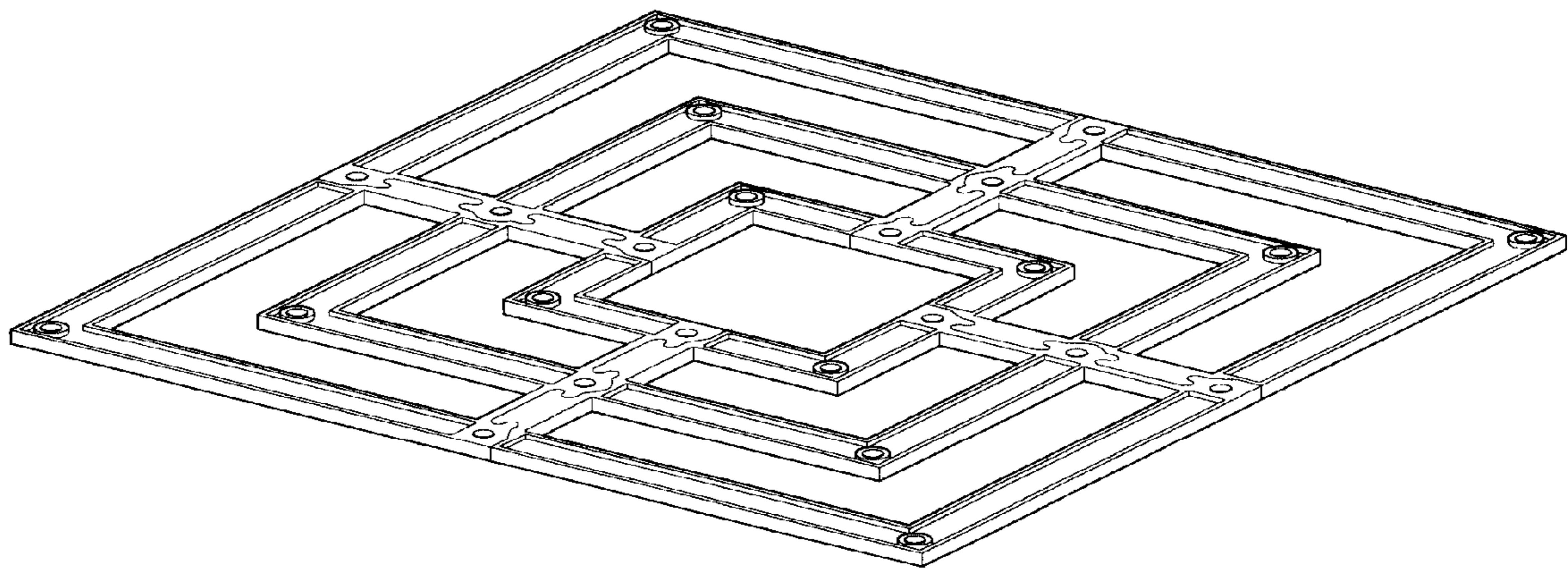


Fig. 2

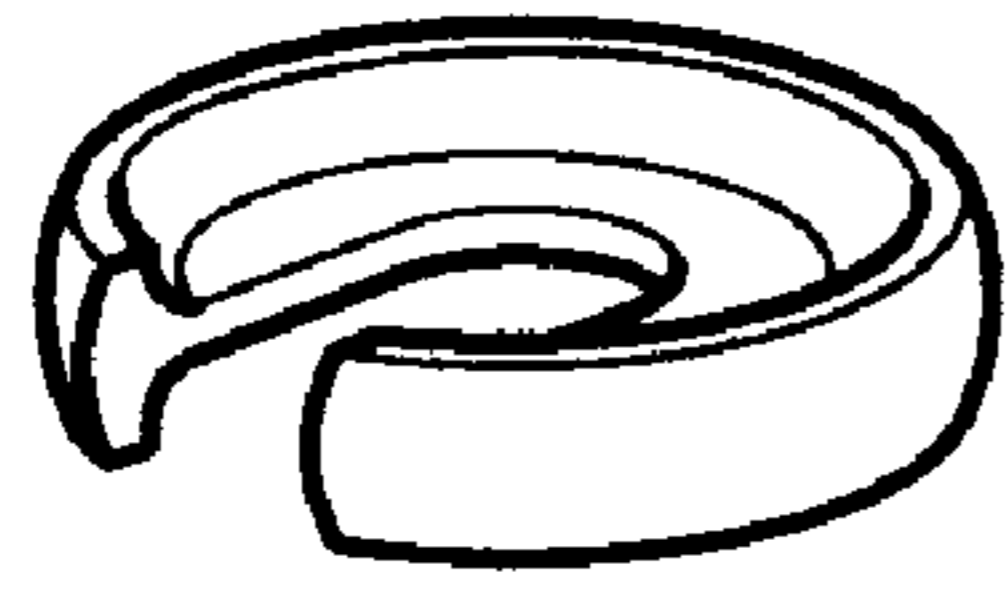


Fig. 3

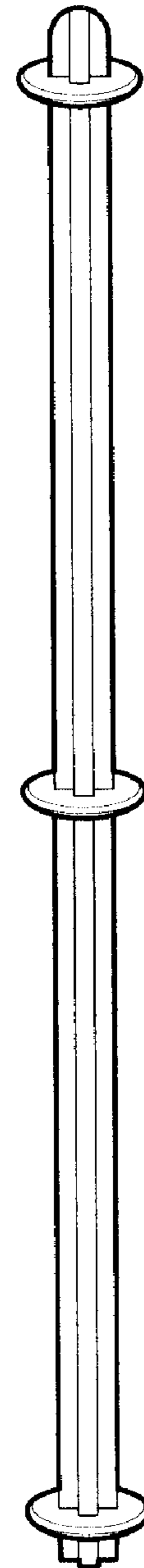


Fig. 4