



US00D520567S

(12) **United States Design Patent**
Iannello et al.

(10) **Patent No.:** **US D520,567 S**

(45) **Date of Patent:** **** May 9, 2006**

(54) **BULK CHUTE FEEDER**

(75) Inventors: **Richard J. Iannello**, Sebastopol, CA (US); **James K. Bullock**, Las Vegas, NV (US); **Gwen D. Mathis**, Las Vegas, NV (US)

(73) Assignee: **JCM American Corporation**, Las Vegas, NV (US)

(**) Term: **14 Years**

(21) Appl. No.: **29/214,531**

(22) Filed: **Oct. 4, 2004**

(51) **LOC (8) Cl.** **20-01**

(52) **U.S. Cl.** **D20/9**

(58) **Field of Classification Search** D20/1-9; D99/17, 18, 24; 194/205, 206, 212, 350; 221/75, 92, 94, 95, 96, 126, 155, 195; D34/1
See application file for complete search history.

(56) **References Cited**

U.S. PATENT DOCUMENTS

D22,126 S	*	1/1893	Mills	D20/1
D34,997 S	*	8/1901	MacLean	D20/8
D172,200 S	*	5/1954	Smith	D20/8
D215,020 S	*	8/1969	Unter	D20/9
D276,924 S	*	12/1984	Bellis	D20/9

D335,149 S	*	4/1993	Dabrowski	D20/1
D372,739 S	*	8/1996	Bustos	D20/5
5,993,317 A	*	11/1999	Majima	463/29
6,902,105 B1	*	6/2005	Koakutsu	235/379
2005/0121286 A1	*	6/2005	Iannello et al.	194/206

* cited by examiner

Primary Examiner—Robert M. Spear

(74) *Attorney, Agent, or Firm*—Squire, Sanders & Dempsey LLP

(57) **CLAIM**

The ornamental design for a bulk chute feeder, as shown and described.

DESCRIPTION

FIG. 1 is a perspective view of the bulk chute feeder of the present invention.

FIG. 2 is a top view thereof.

FIG. 3 is a side view thereof; and,

FIG. 4 is a front view thereof.

The features shown in broken lines are shown for illustrative purposes only and form no part of the claimed design. The left side view is identical to the right side view and is therefore not included as an independent figure. The bottom and the rear views form no part of the design and are therefore not included as independent figures.

1 Claim, 2 Drawing Sheets

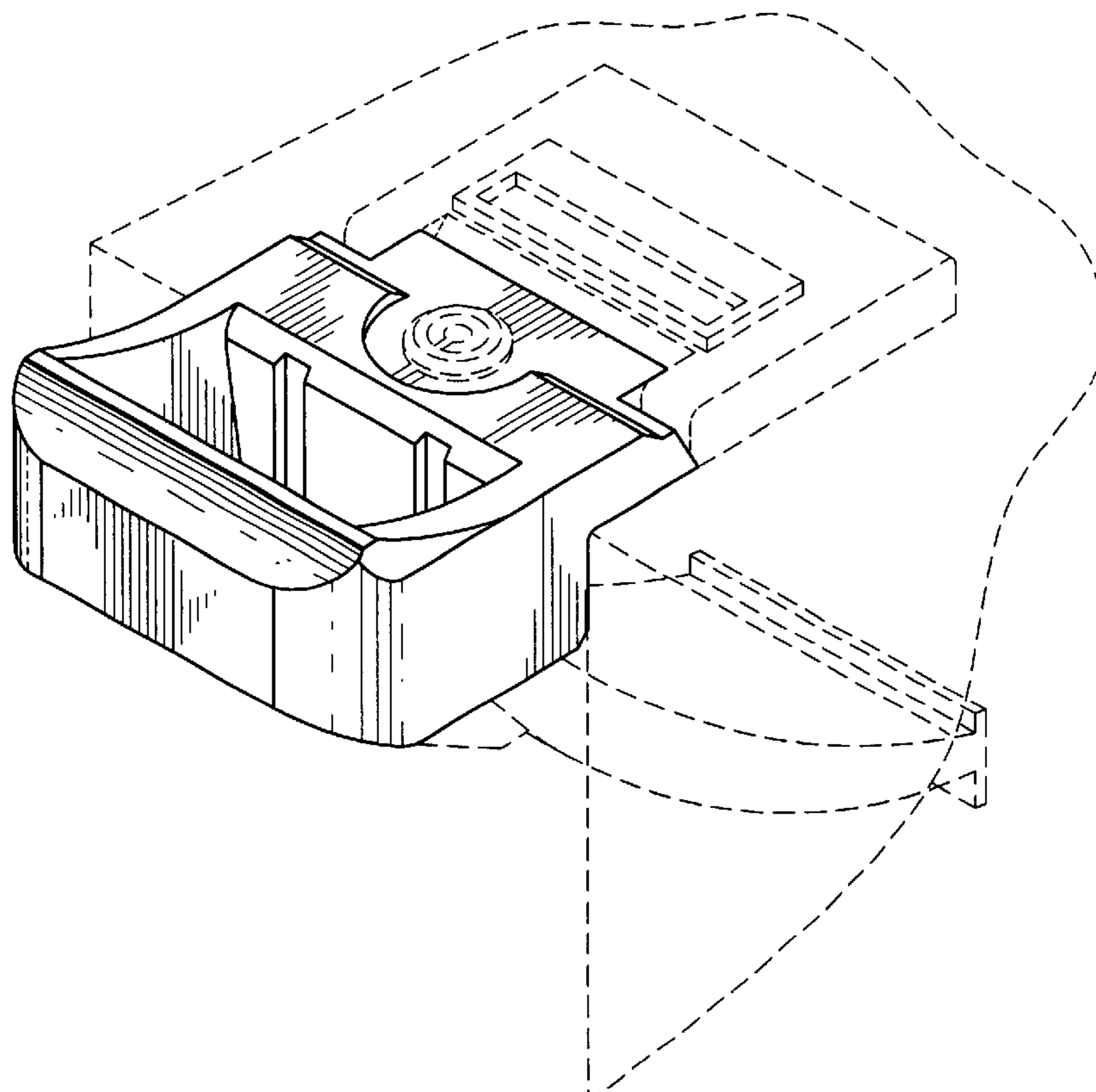


FIG. 1

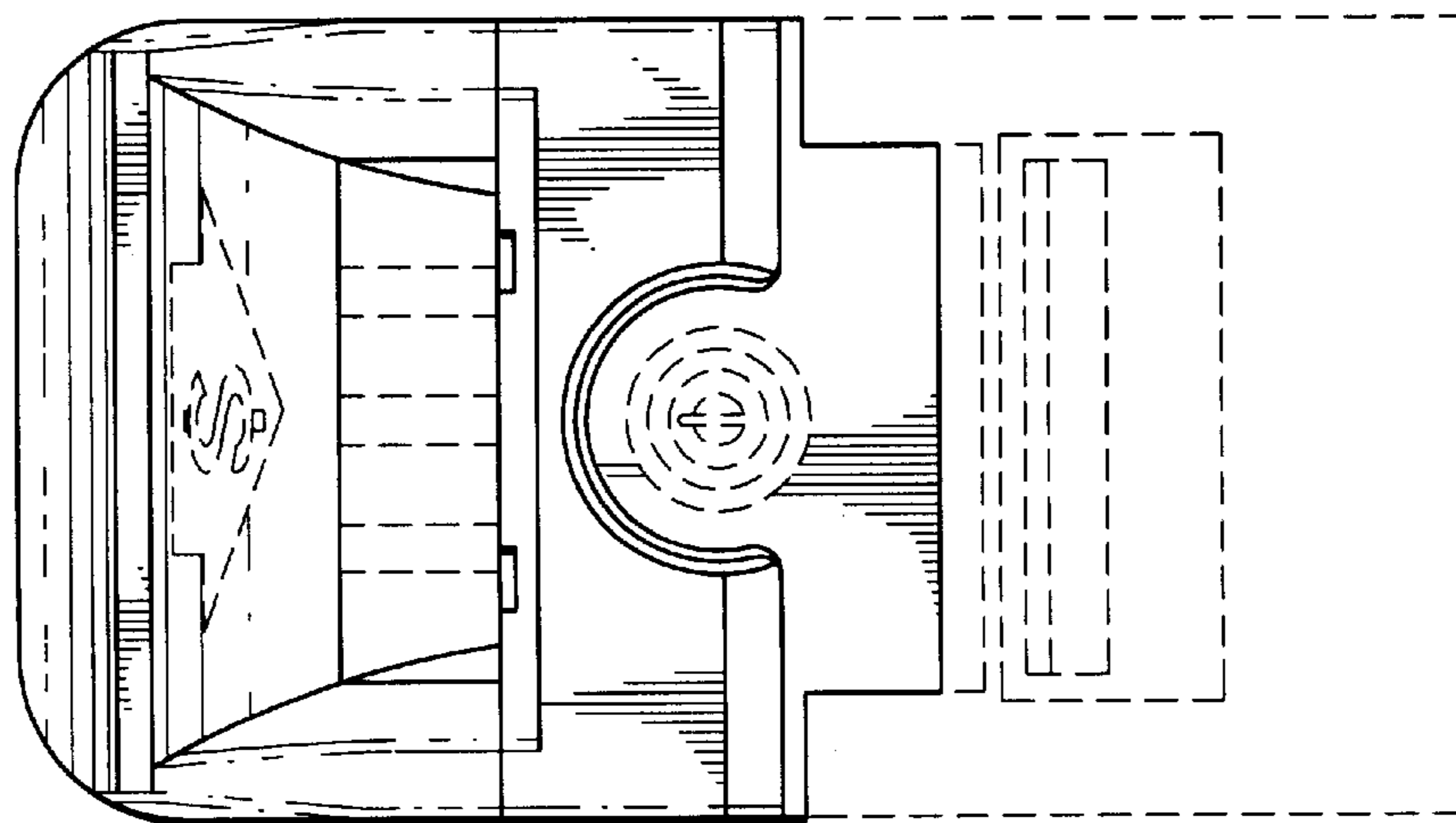
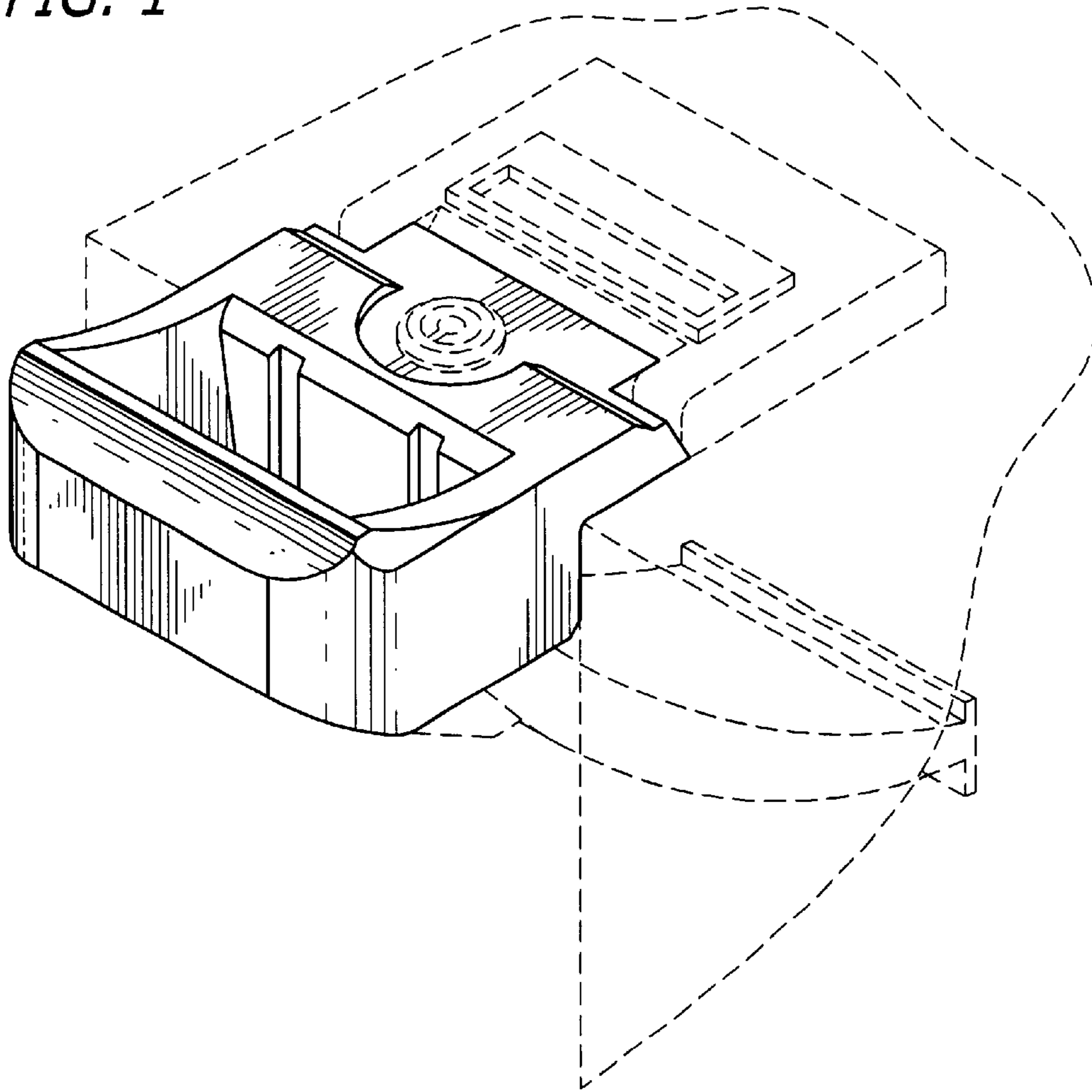


FIG. 2

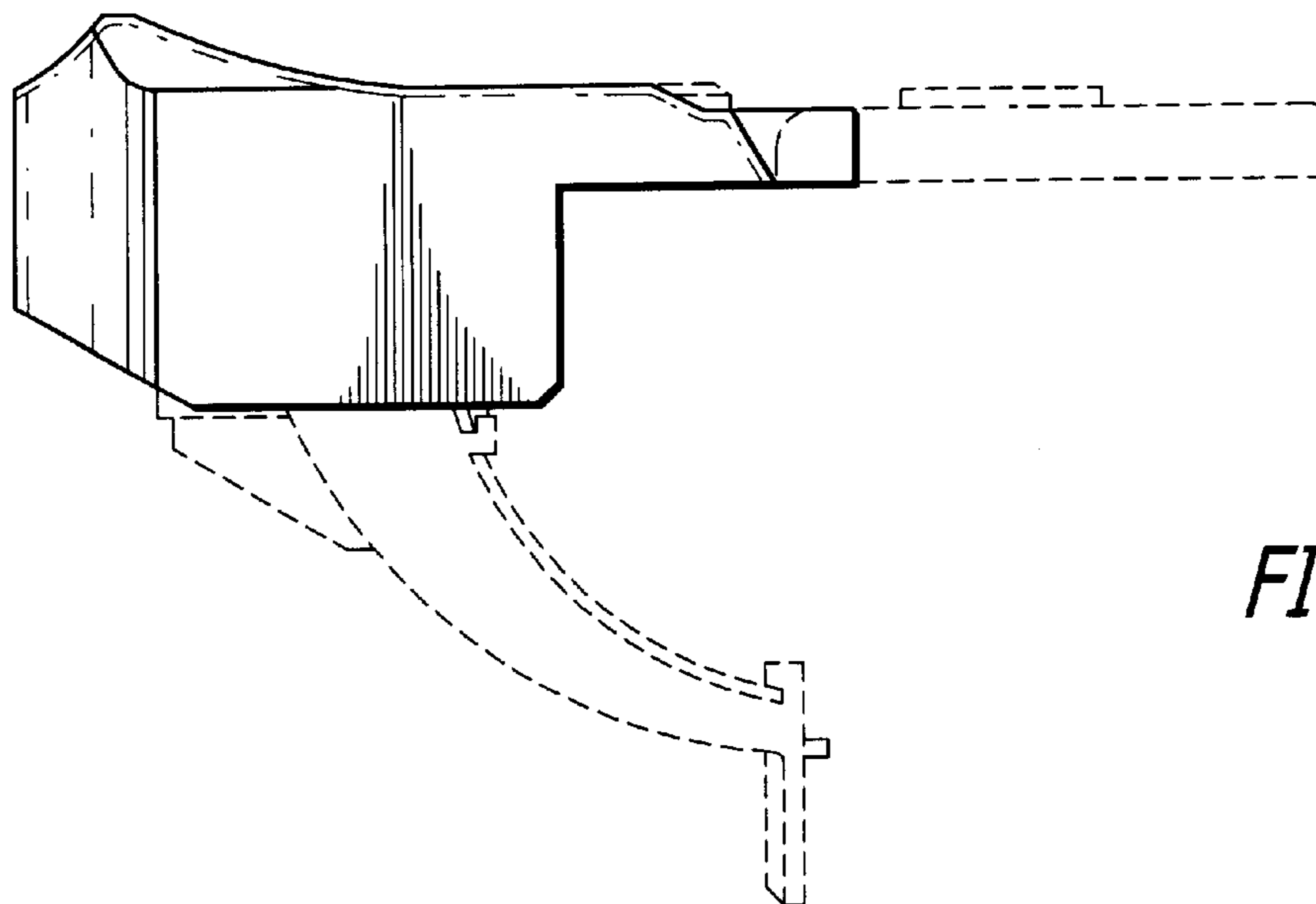


FIG. 3

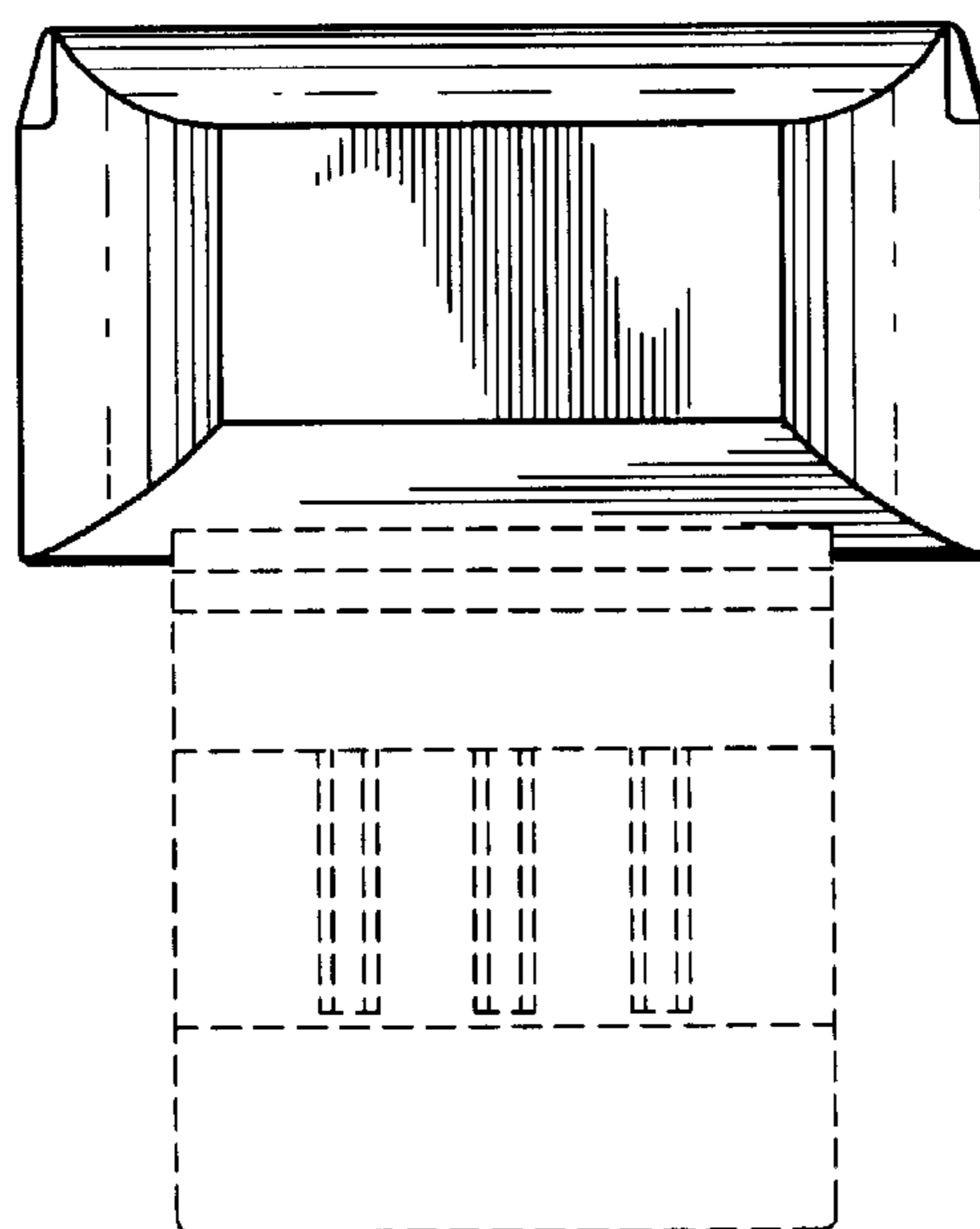


FIG. 4